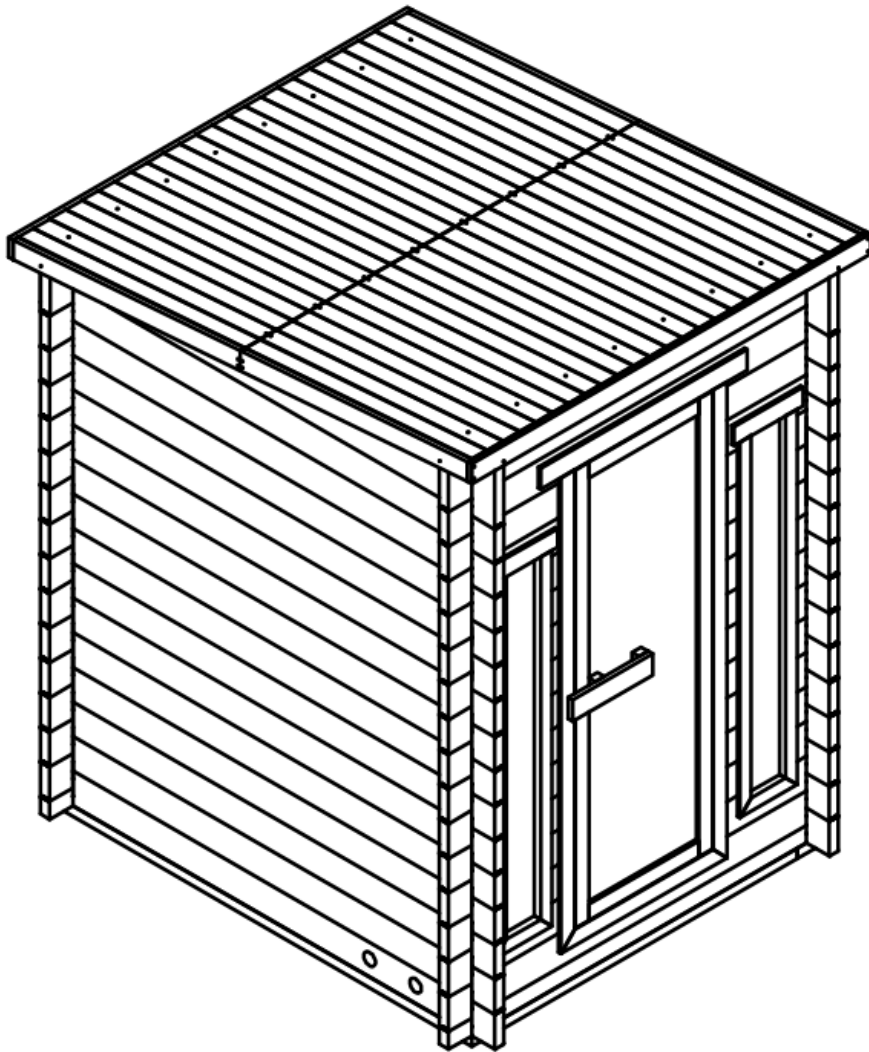




REDWOOD  
OUTDOORS

# Thermowood Cabin Outdoor Sauna



(SN-C-T4)  
(SN-CBU-H4K002F)

Installation & Owner's Manual



# Important Information

## Safety and Assembly

**Please read and understand the complete instructions prior to assembly and use of your sauna.** The customer agrees not to hold Redwood Outdoors or any of its authorized dealers liable for improper installation, maintenance, and repair of this product.

Our sauna kits are designed for ease of assembly and every attempt has been made to make assembly information as clear as possible. If you have any questions about assembly, please do not hesitate to call us at 1800-567-8036 or send us an email at [support@redwoodoutdoors.com](mailto:support@redwoodoutdoors.com).

Thank you again for choosing Redwood Outdoors. We are grateful for your business and know you will have many years of enjoyment in your sauna!

### Electrical Requirements

All electrical heater wiring must be performed by **A QUALIFIED LICENSED ELECTRICIAN**. Use copper wire with 90C insulation. Do not use aluminum wire to make the connection. Consult with an electrician so you can determine the requirements for your situation. All wiring must conform to all national, state, and local codes and regulations. For further information and instructions on your heater installation and operation, please consult the heater manuals on our website. ([www.redwoodoutdoors.com/assembly/electric-sauna-heaters](http://www.redwoodoutdoors.com/assembly/electric-sauna-heaters)).

### Choose a Site With a Strong and Level Foundation

It is important to choose a site that has a level, strong, and stable foundation. This is critical because a sauna with several bathers inside can weigh over 1,000 lbs. A deck or concrete pad (patio) are both excellent options for your sauna. If you will be placing the sauna directly on the ground, we recommend you rest the support cradles atop concrete pavers to prevent the cradles from settling into the ground. This could result in the sauna not sitting level and may cause issues over time. If your sauna comes with a ground-frame rather than cradles, we recommend installing a moisture barrier under the ground-frame.

### Concrete Pads

If constructed properly (compacted well and leveled), a concrete pad will maximize the life of your sauna. The concrete pad should be at least 4" thick and reinforced with mesh to minimize cracking. We recommend constructing the pad significantly larger than needed for the sauna alone, as this will allow room for a cool down area, where you could put chairs and an outdoor shower or cold plunge tub. There is a wealth of information available online with instructions on how to design and pour a concrete pad.

### Deck Installations

If you choose to install your sauna on a deck, be sure that your deck has been designed to support the weight of a full sauna (over 1,000 lbs). We recommend you have the deck inspected by a qualified architect or building engineer prior to proceeding.



REDWOOD  
OUTDOORS

# Installation & Owner's Manual

# CONTENTS

---

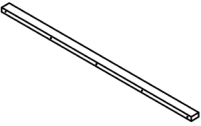
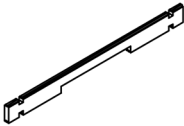
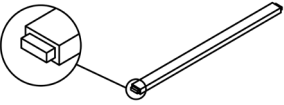
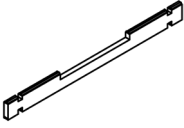
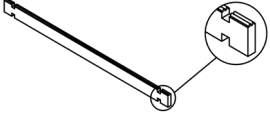
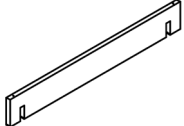
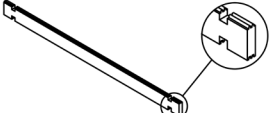
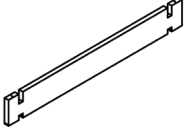
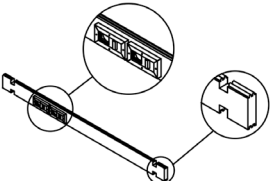
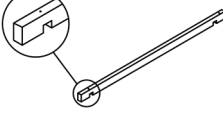
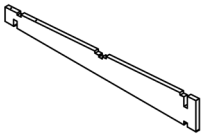
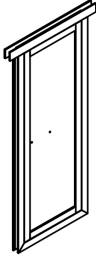
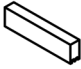
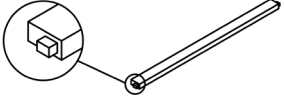

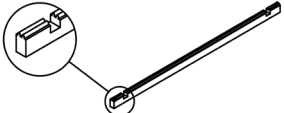
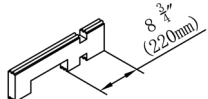
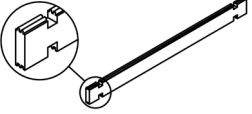
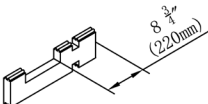
Parts List	02
Dimensions	05
Base Assembly	06
Floor Assembly	08
Body Assembly	09
Interior Assembly	17
Roof Assembly	22
Heater Installation	24
Interior Finishing	27
Exterior Finishing	28
Shingle Assembly	29
Maintenance	33
Warranty	35
User Guide	36
Important Notice	39

# Parts List

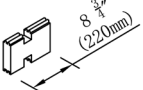
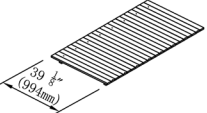
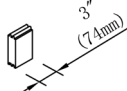
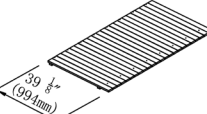
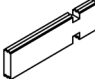
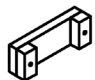
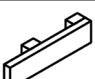
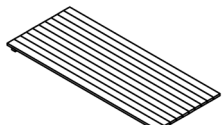

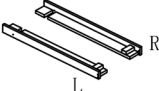
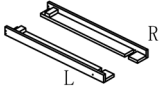



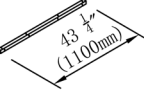
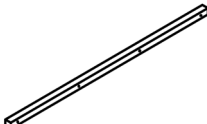
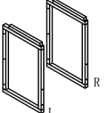
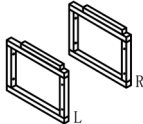
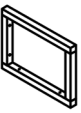
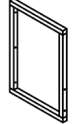
We are constantly working to improve our products. As a result of ongoing design improvement, the sauna you receive may vary slightly from the description below. + symbol indicates spare pieces. (e.g. +1 means 1 spare)

**When you open the crate, if any parts are damaged, take pictures of the damage (ideally while still in the crate). Email the pictures as well as a list of which parts are damaged (e.g., 2-B, 18, etc.) to our Customer Support team (support@redwoodoutdoors.com). Our Customer Service team will assist you with next steps.**

## ● Main Parts

Part	Description	Qty	Part	Description	Qty
1-A		2PCS	12-A		1PC
2		3PCS	13-A		1PC
3-B		1PC	14-B		1PC
4-B		27PCS+1	15-B		1PC
5-B		1PC	16-A		1PC
6-B		2PCS	17-C		1PC
7	Intentionally blank		18-A		1PC
8		2PCS	19-B		2PCS
9-A		2PCS	20-B		1PC
10-A		14PCS+1	21-B		1PC
11-A	Intentionally blank				



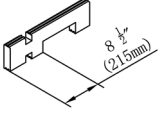
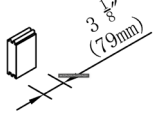
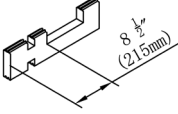
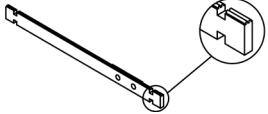
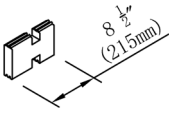
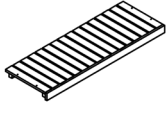
Part	Description	Qty	Part	Description	Qty
22-B		10PCS	36-B		1PC
23-B		10PCS	37-B		1PC
24-A		2PCS	38	Intentionally blank	
25-A		1PC	39	Intentionally blank	
26-B		1PC	40	Intentionally blank	
27-B		2PCS	41	Intentionally blank	
28	Intentionally blank		42	Intentionally blank	
29	Intentionally blank		43-A		1PC
30-C		2PCS	44	Intentionally blank	
31-C		2PCS	45-B		1PC
32-A		2PCS	46		12PCS
33	Intentionally blank		47		4PCS
34		1PC	48-A		2PCS
35-B		2PCS	49-B		1PC
			50-A		1PC

# Parts List














We are constantly working to improve our products. As a result of ongoing design improvement, the sauna you receive may vary slightly from the description below. + symbol indicates spare pieces. (e.g. +1 means 1 spare)

When you open the crate, if any parts are damaged, take pictures of the damage (ideally while still in the crate). Email the pictures as well as a list of which parts are damaged (e.g., 2-B, 18, etc.) to our Customer Support team (support@redwoodoutdoors.com). Our Customer Service team will assist you with next steps.

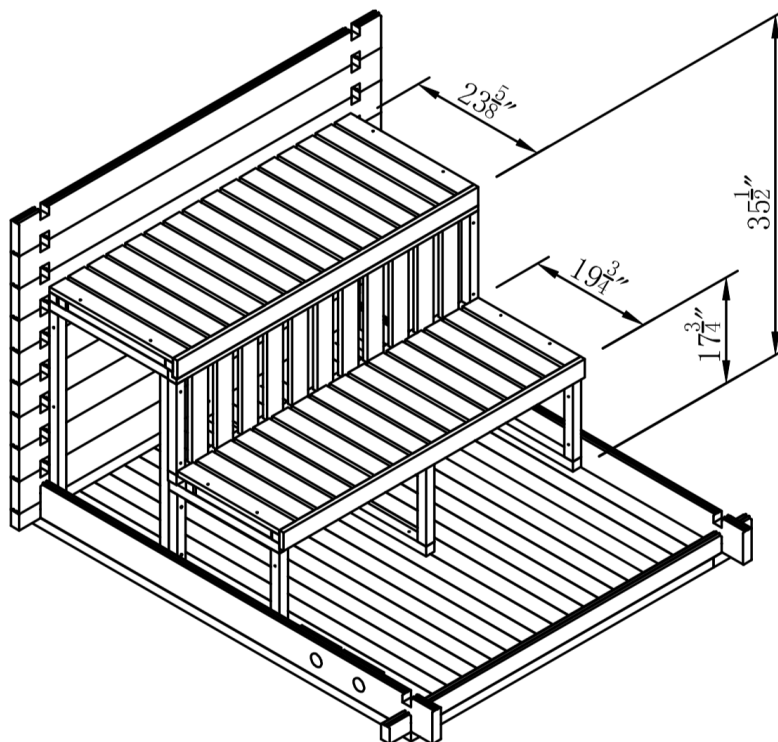
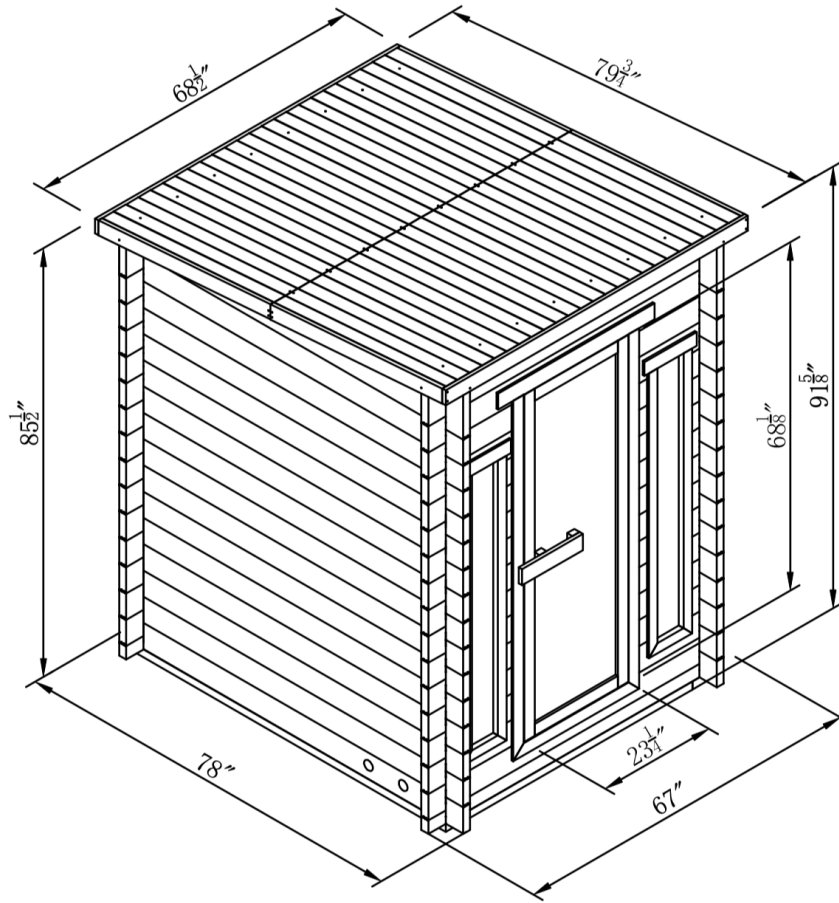
## ● Main Parts

Part	Description	Qty	Part	Description	Qty
51		1PC	54		10PCS
52		1PC	55		1PC
53		10PCS	56		1PC

## ● Accessories

Part	Description	Qty	Part	Description	Qty
A	 #8x $\frac{3}{4}$ " (4x20mm)	60PCS	I	 #12x3" (6x80mm)	2PCS
B	 #8x1 $\frac{3}{8}$ " (4x35mm)	32PCS	J	 #12x3 $\frac{3}{4}$ " (6x95mm)	6PCS
C	 #8x1 $\frac{1}{2}$ " (4x40mm)	32PCS	K	 1 $\frac{1}{2}$ " (40mm)	40PCS
D	 #8x2" (4x50mm)	128PCS	L	Intentionally blank	
E	 #8x2 $\frac{1}{2}$ " (4x60mm)	8PCS	M	Intentionally blank	
F	 #10x2 $\frac{3}{4}$ " (5x70mm)	23PCS	N		1PC
G	 #10x4" (5x100mm)	24PCS	O	 71"x39 $\frac{3}{8}$ " (1800x1000mm)	3PCS
H	Intentionally blank		P	 79 $\frac{3}{4}$ "x68 $\frac{1}{2}$ " (2025x1740mm)	1PC

# Dimensions



# Base Assembly

## Step 1: Assemble the Ground Frame

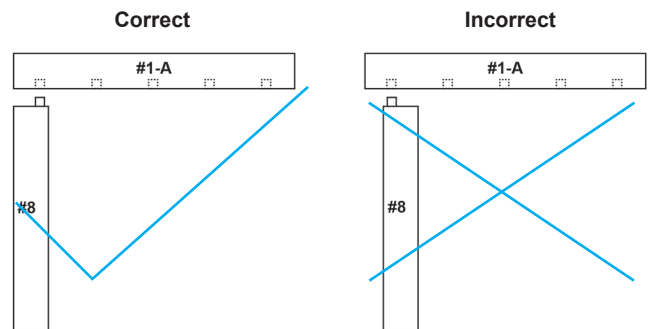
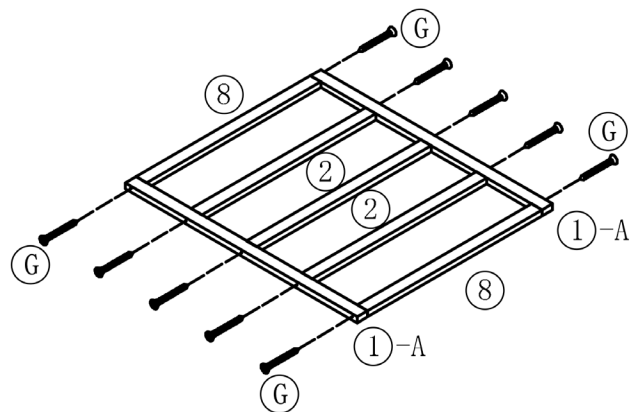
Lay the ground frame pieces on the foundation. The pieces are treated with wood wax oil to protect against rot. We recommend placing a polyethylene moisture/vapor barrier under the ground frame to protect the sauna from moisture.

Ensure the ground frame is level, if the base is not level, you will put stress on the sauna and may have issues closing the door. The surface must also be strong enough to support the weight of the sauna.

Make sure the ground frame is square by measuring from corner to corner.

Insert the cross pieces (#2) and edge pieces (#8) into the end pieces (#1) then fasten them together with screws. The ground frame is made of yellow cedar, which is durable, but also **very hard**. As a result, getting the screws to sink in will take effort and you may remove and reinsert the screws multiple times before they sink in.

You **must use a drill bit extension** to reach inside the pre-drilled pocket hole.



The long edge of piece #8 should be flush with the end of piece #1-A

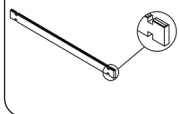
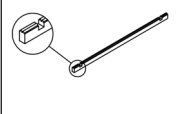
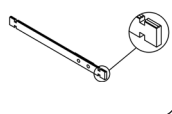
1-A	2	8	G

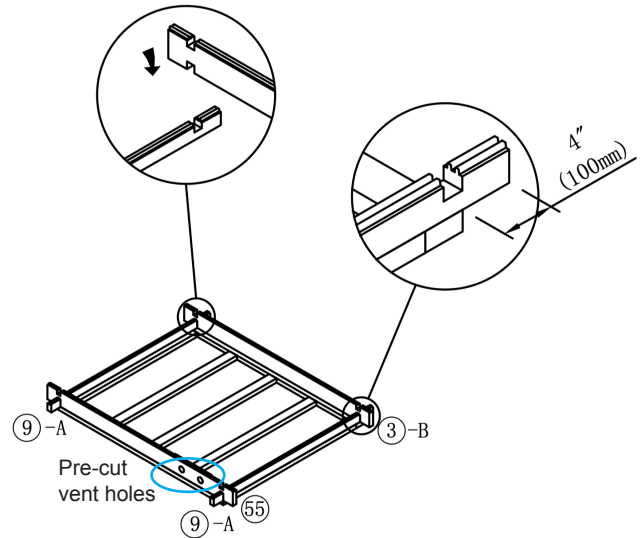
## Step 2: Place the First Layer

Lay the half-cut beams (i.e., beams with one side grooved and one side flat) across the ground frame. The beams will extend past the edge of the ground frame by ~4".

Make sure the long sides of the beams are flush with the ground frame. The #55 & #3 beams will sit on top of and fit into the #9 beams.

Confirm that the beams are sitting level on the ground frame.

3-B	9-A	55
		



# Floor Assembly

## Step 3: Install the Floor and Fasten the First Layer of Beams

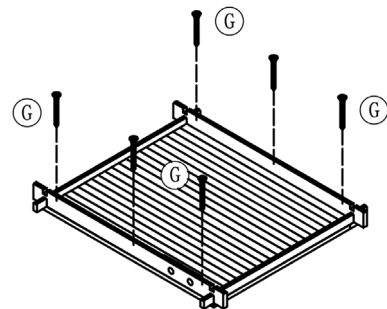
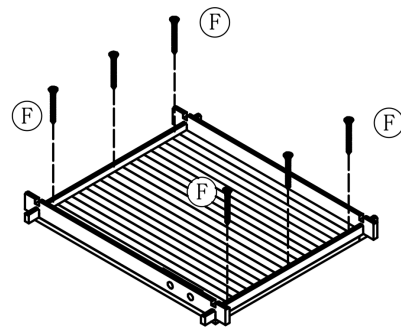
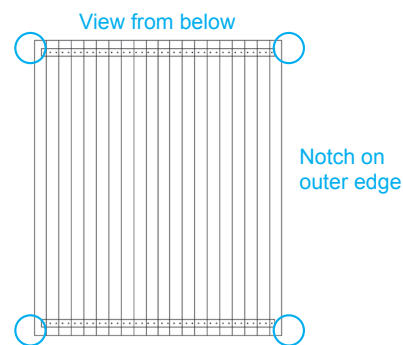
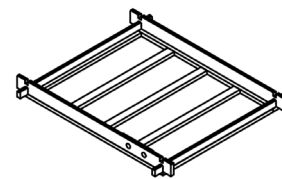
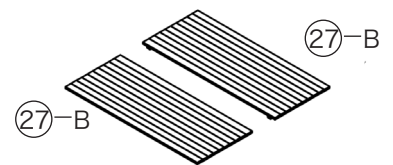
Lay the floor pieces inside the frame.

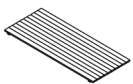



The connecting piece under the #27 floor pieces does not extend to the edge on both sides. Place the floor boards on the base so that notch is facing the outside of the sauna (i.e., touching the side walls). Refer to the diagram on the right.

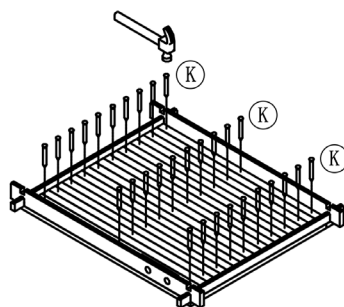
Once the floor has been laid, confirm that the first layer is flush with the sides of the ground frame, then fasten them to the ground frame.

Use the **shorter F screws** to fasten the half-cut beams and the **longer G screws** to fasten the full-size beams. You **must use a drill bit extension** to reach inside the pocket hole.

Fasten the floor along the middle and sides carefully with a hammer, taking care to not hit the beams too hard as the kiln-dried wood is brittle and may crack. Fix every 2nd or 3rd floor board.



27-B	F	G	K
			
	#10x2 $\frac{3}{4}$ " (5x70mm)	#10x4" (5x100mm)	1 $\frac{1}{2}$ " (40mm)



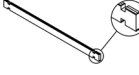
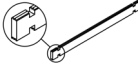

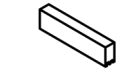
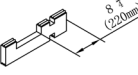
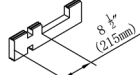
# Body Assembly

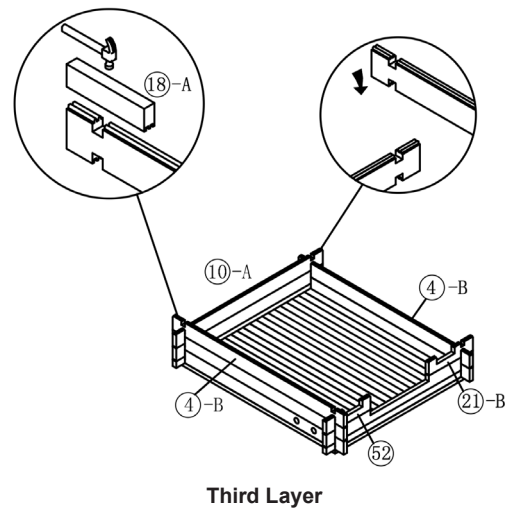
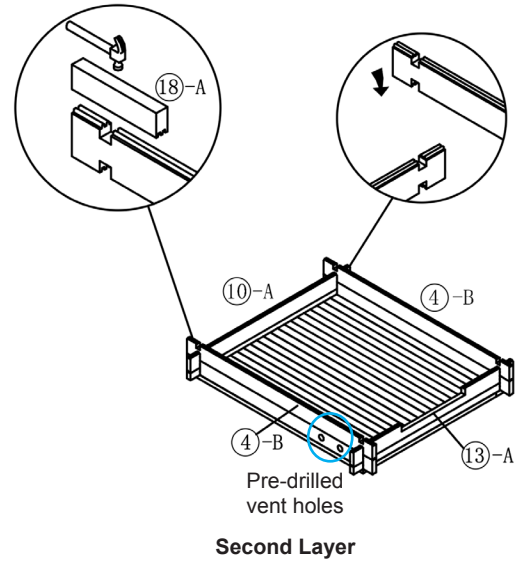
## Step 4: Build the 2nd and 3rd Layers

Place beams onto the frame to build up the side walls. After the first layer, the beams **do not** need to be fastened to the layer below with screws.

The ribs on the top of the beam fit together with the divots on the bottom of the next beam. If you are having fit issues, use the hammer block (piece 18-A) to work them into place. You can also turn the beam 180 degrees and install it “backward” as this can lead to a smoother fit.

**Beam #13** is placed on the second layer at the front, and the **#52 and #21 beams** are placed on the third layer at the front. These beams have cuts made for the door/windows, respectively.

4-B	10-A	13-A
		
18-A	21-B	52
		



# Body Assembly

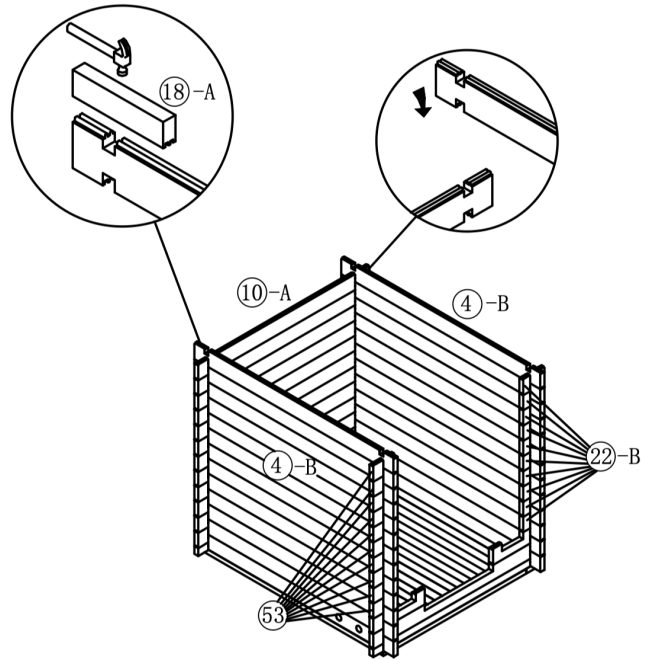
## Step 5: Build Up The Side Walls

Build up the side walls using beams #4, #10, #53, and #22.

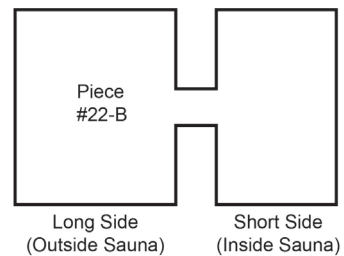
Continue building until you have used all the #22 and #53 beams. Handle the beams with care. The wood is kiln-dried and brittle. If staves are dropped or mishandled, they can crack or even break.

When placing the #22 and #53 pieces, ensure the longer side is on the outside of the sauna. If the position is reversed, they will not line up with the groove cut for the window in beam #20 above. The ends of pieces #22 and #53 will extend past the edge of the sauna the same distance as pieces #20 and #21 when placed correctly.

**The #22 & #53 beams are slightly different lengths and cannot be used interchangeably.**

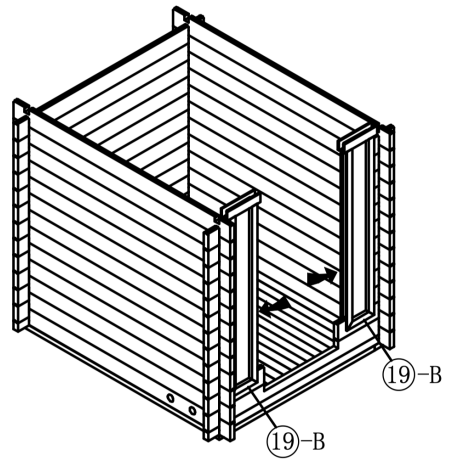
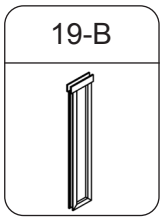


4-B	10-A	18-A
22-B	53	



## Step 6: Install the Front Windows

Place the windows in the groove created at the front of the sauna.



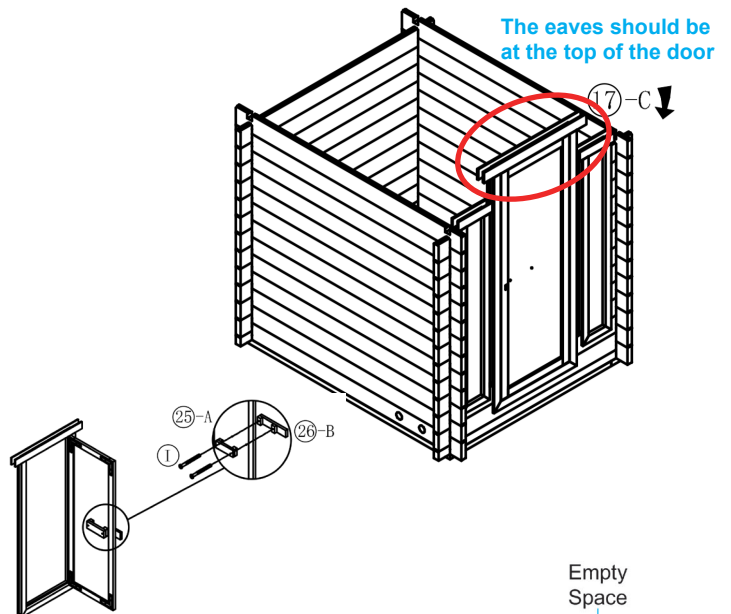
## Step 7: Install the Door

Place the door frame into the slot at the front of the sauna.

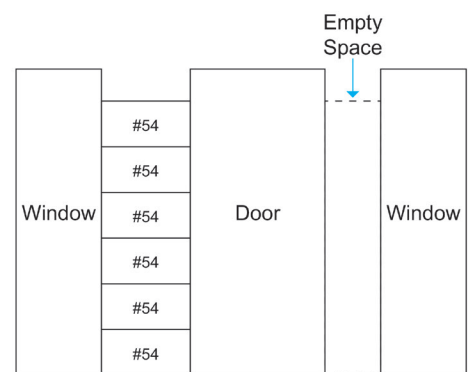
The door is not symmetrical. Ensure the door is placed so the eave (extended trim board) is at the top and the door swings outward.

If you are having trouble getting the door frame to stay in position, place some of the short #54 beams on the left side of the sauna, next to the window; then place the door. The #54 beams will hold the door frame in place. This approach is shown in the diagram to the right.

Once the door is in place, attach the door handle to the front of the door.



17-C	25-A	26-B	I



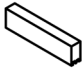
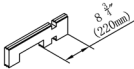
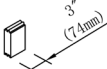
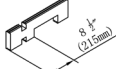
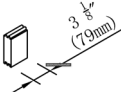
Front Door Frame Placement

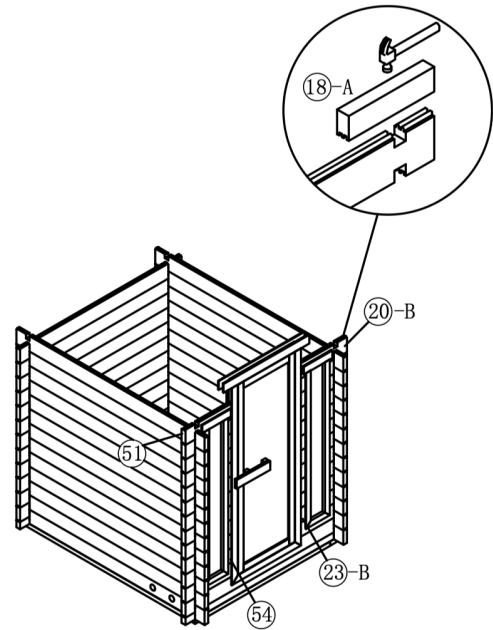
# Body Assembly

## Step 8: Fill in Around Windows

Slide #54 and #23 beams into place on their respective sides of the door frame.

Once all #54 and #23 beams are installed, place beam #51 and #20 over top of the window frames to lock the windows in place.

18-A	20-B	23-B	51
			
<b>54</b>			
			



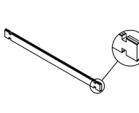
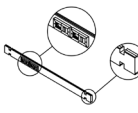
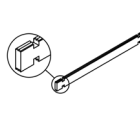
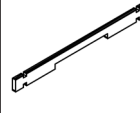
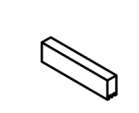
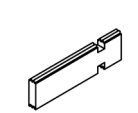
## Step 9: Fill in Over the Door

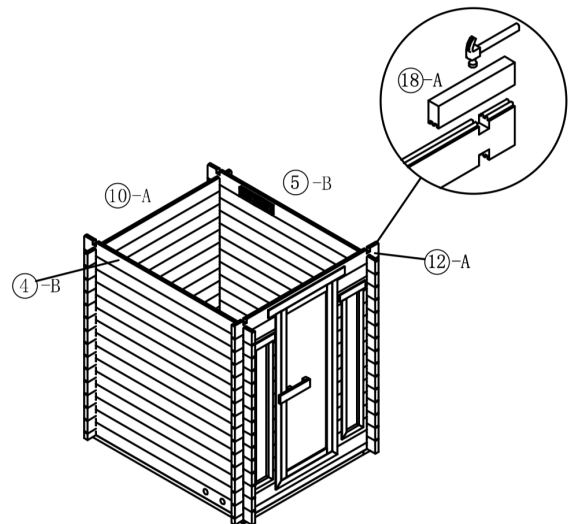
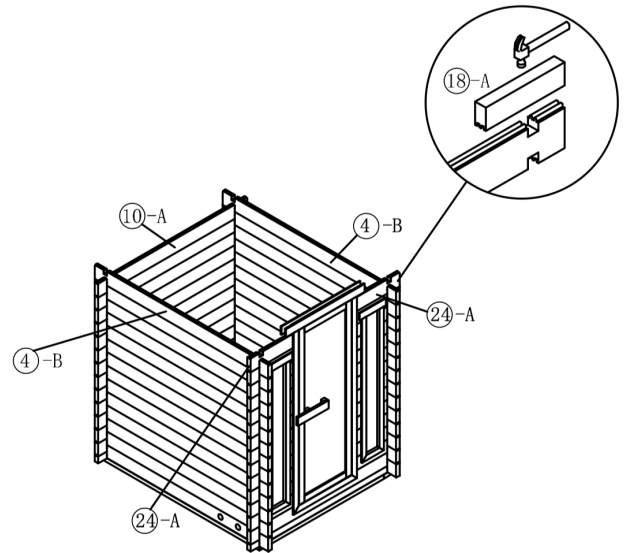
Continue using #10 beams and #4 beams to build up the side and back walls of the sauna.

Place a #24 beam on top of the #51 and #20 beams.

Place beam #12 over the door frame on top of the #24 beams. Beam #12 has a groove cut in it that locks the door frame into place.

**When placing the #5 beam, make sure the vent hole covers are inside the sauna.**

4-B	5-B	10-A	12-A
			
18-A	24-A		
			

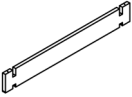



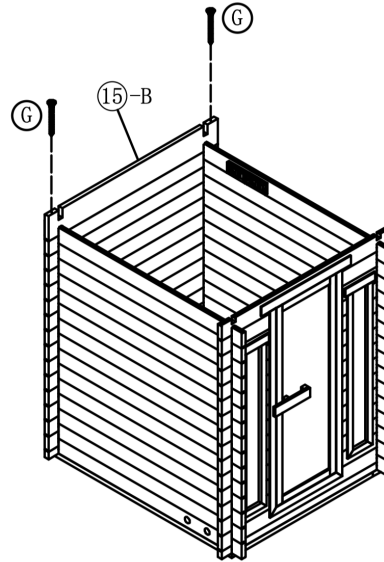
## Body Assembly

### Step 10a: Complete the Sauna Body

Place beam #15 at the back of the sauna. The top of beam #15 is angled. The higher side should face the inside of the sauna (this creates the slope for the roof).

Fasten beam #15 to the beam below using the G screws. You **must use a drill bit extension** to reach inside the pre-drilled pocket hole.

15-B	G
	
	#10x4" (5x100mm)



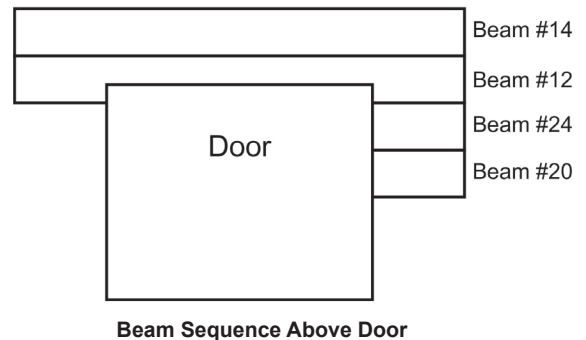
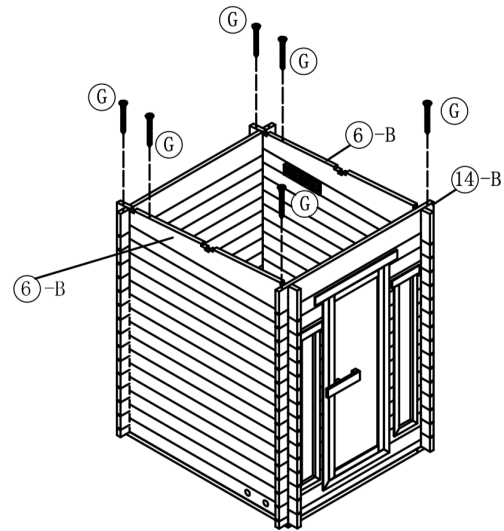
## Step 10b: Complete the Sauna Body

Place the angled #6 beams on either side of the sauna. Secure them to the beams below with G screws. You must use a drill bit extension to reach inside the pre-drilled pocket hole.

Place the #14 beam on the front of the sauna over top of the #6 beams. The top of beam #14 is angled, the lower side should face the inside of the sauna.

Once in place, fasten beam #14 to the beam below using the G screws. You must use a drill bit extension to reach inside the pre-dilled pocket hole.

The sauna's walls are now complete. You should have one #4 and one #10 beam left over. If you do not have any spare beams, you have built too many layers (unless you had to use your spare due to damage).



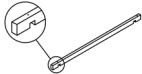

6-B	14-B	G
		#10x4" (5x100mm)

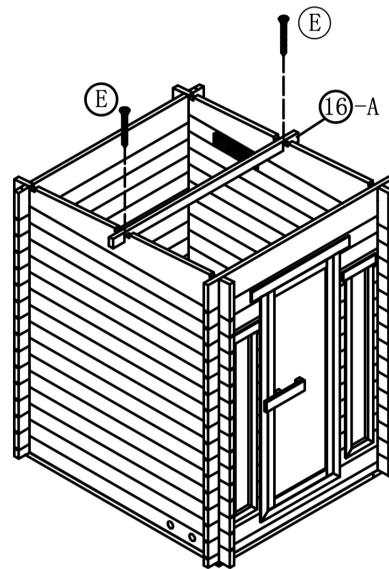
## Body Assembly

### Step 11: Install the Purlin

Place the purlin (beam #16) across the roof of the sauna.

The purlin is fixed to the beam below using the E screws.

16-A	E
	
	#8x2 $\frac{1}{2}$ " (4x60mm)

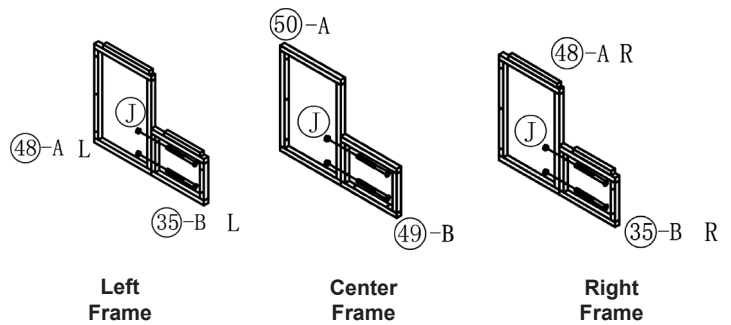


# Interior Assembly

## Step 12: Assemble the Bench Frames

Use the nuts and bolts to fasten the two pieces of the support frame together. Make sure the nuts are tight.

Once assembled, the support frames should form an L-shape. The left and right frames have wood blocks at the top, but the center frame does not.

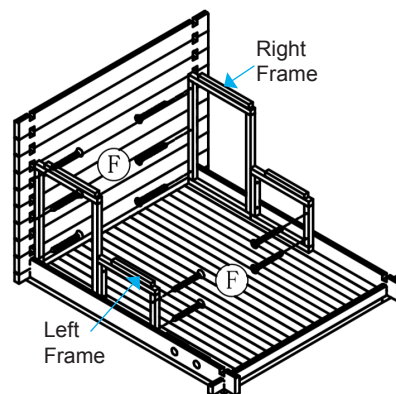
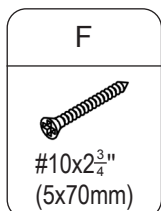


35-B	48-A	49-B	50-A	J
				 #12x3 <sup>3</sup> / <sub>4</sub> " (6x95mm)

## Step 13: Place the Left and Right Bench Frames

Place the left frame (#48L and #35L) against the left sauna wall. Place the right frame (#48R and #35R) against the right sauna wall. The bottom corners should be snug in the bottom corner of the sauna.

Fasten the frames to the side walls following the pre-drilled hole pattern.





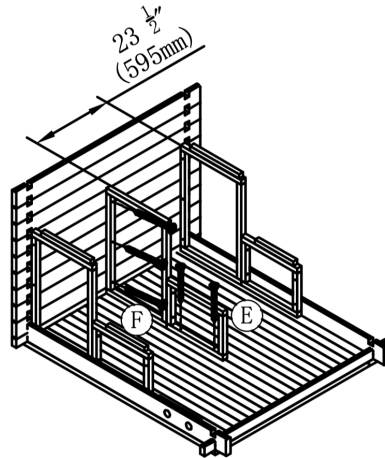
# Interior Assembly

## Step 14: Place the Center Bench Frames

Place the center frame (#49 and #50) against the back sauna wall. The frame should be halfway between the sauna walls. The bottom corners should be snug in the bottom corner of the sauna.

Fasten the frame to the back wall and floor following the pre-drilled hole pattern.

E	F
	
#8x2 <sup>1</sup> / <sub>2</sub> " (4x60mm)	#10x2 <sup>3</sup> / <sub>4</sub> " (5x70mm)





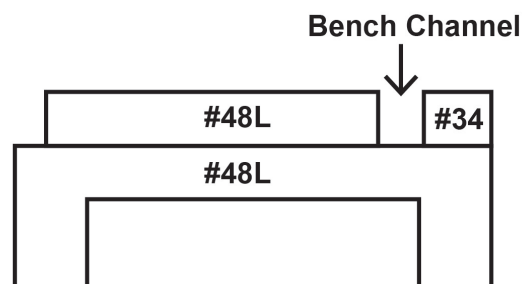
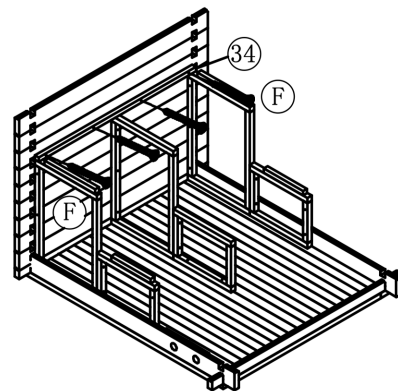
## Step 15: Place the Back Cleat

Place the long cleat (#34) on top of the three frames so that it runs the length of the back wall.

Make sure the cleat is level and touching all three bench frames, then fasten it to the back wall with screws.

The raised pieces of the right and left frames should be on top and create a channel for the bench to sit in.

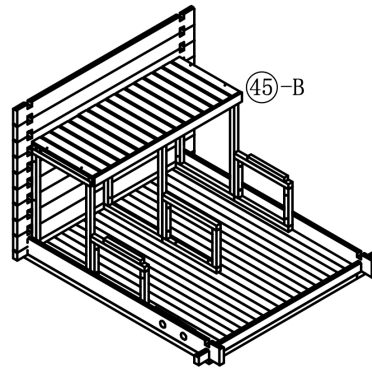
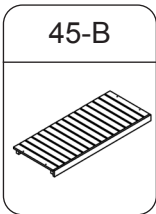
34	F
	
	#10x2 <sup>3</sup> / <sub>4</sub> " (5x70mm)



## Step 16: Place the Top Bench

Place the top bench on top of the frames so that it sits in the channel between the back cleat and side frames.

Confirm that the bench is sitting flat and level. If it is not sitting flush and touching the frames on both sides, your frames may be constructed incorrectly or not level. Remove the bench tops and check before proceeding.

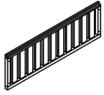



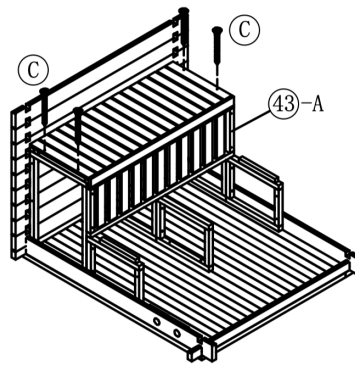
## Interior Assembly

### Step 17: Place the Fence

Once the top bench is placed, place the fence against the frames. The top bench will fit over the top of the fence to keep it from falling forward.

Fasten the bench to the side frames.

43-A	C
	
	#8x1½" (4x40mm)





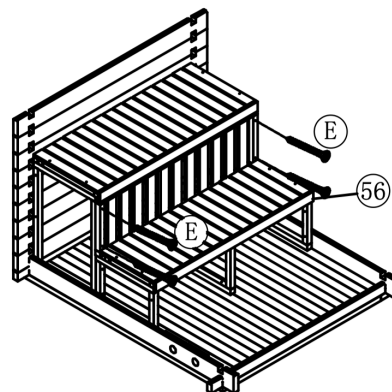
### Step 18: Place the Bottom Bench

Place the bottom bench on top of the frames so that it sits in the channel between the larger frame piece and the smaller frame piece.

Confirm that the bench is sitting flat and level. If it is not sitting flush and touching the frames on both sides, your frames may be constructed incorrectly or not level. Remove the bench tops and check the frames before proceeding.

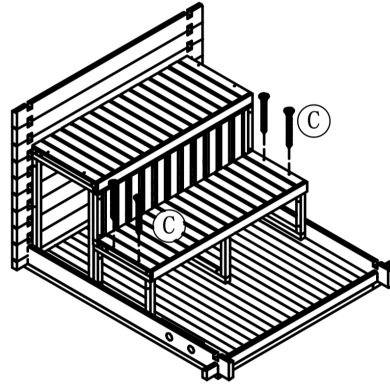
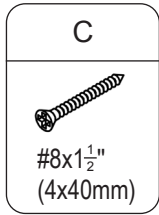
Fasten the fence to the side frames with screws.

56	E
	
	#8x2½" (4x60mm)



## Step 19: Fasten the Bottom Bench

Fasten the bottom bench to the side frames.



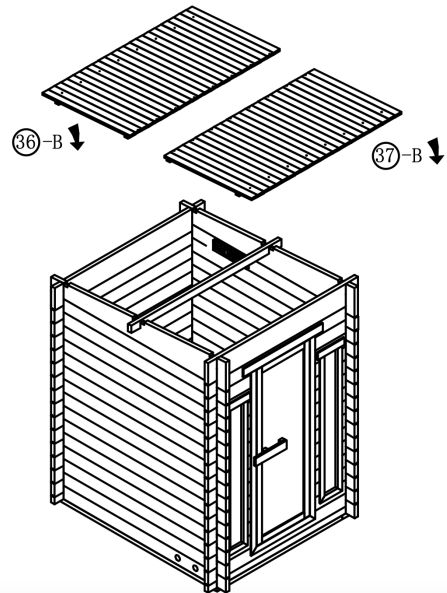
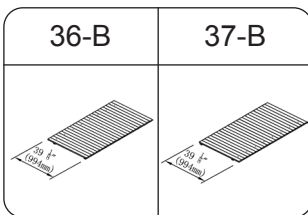
# Roof Assembly

## Step 20: Install the Roof

Place the roof pieces on top of the sauna body.

The **roof pieces are not symmetrical**. You must position them so that the fixing strip under the roof board aligns with the cut on the sauna body.

When placed correctly, the boards should be touching the purlin at one end and beams #14/#15 at the other end.

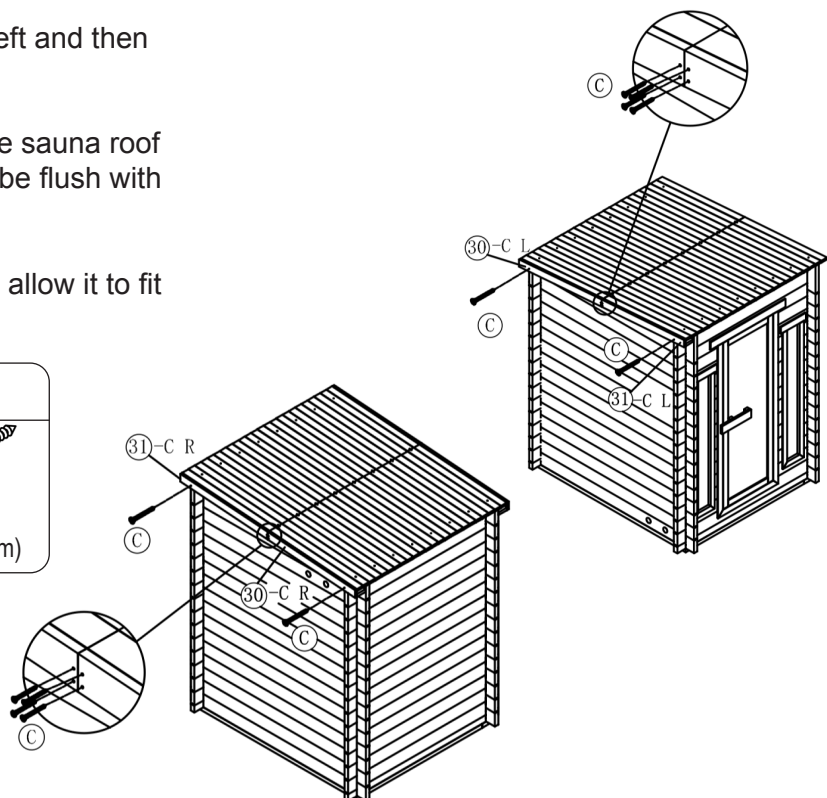
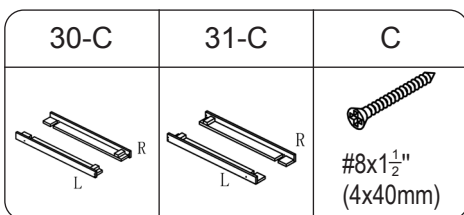


## Step 21a: Install the Roof Frame

Fasten the roof frame onto the left and then the right side of the sauna.

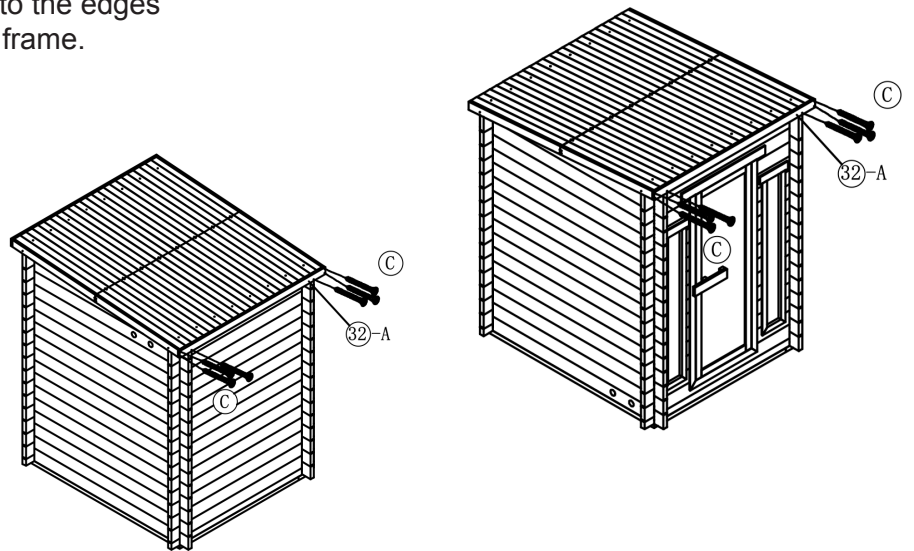
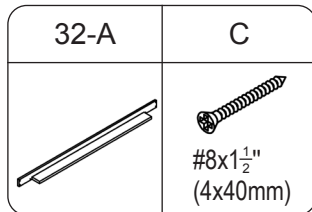
The flat piece will wrap under the sauna roof and the top of the frame should be flush with the top of the roof boards.

There is a cut in the flat piece to allow it to fit around the front/back wall.



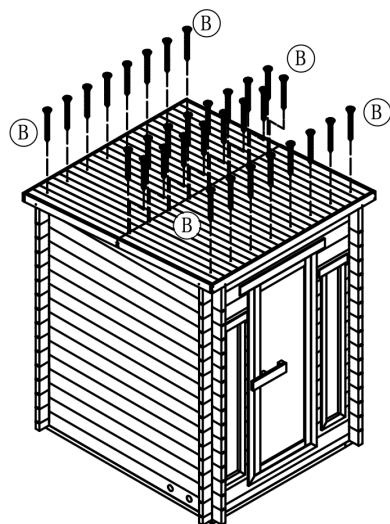
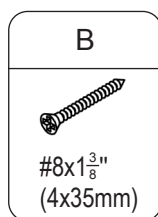
## Step 21b: Install the Roof Frame

Fasten the front and back pieces to the edges of the sauna roof to complete the frame.



## Step 22: Fasten the Roof

Fasten the roof boards to the sauna body and purlin following the pre-drilled hole pattern.



# Heater Installation

## Step 23a: Mount the Heater and Place the Temperature Sensor – Harvia Spirit Heaters

All electrical wiring must be performed by a **QUALIFIED LICENSED ELECTRICIAN**. Heater installation manuals are available on the Redwood Outdoors website and should be provided to your electrician before installation.

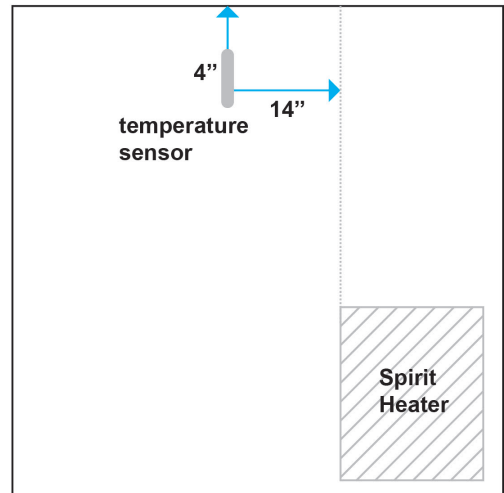
Once the heater is installed, place the heater's temperature sensor. The temperature sensor controls the temperature inside the sauna. The heater will shut off when it senses that the sauna has reached the set temperature.

For **Harvia Spirit** heaters, the mounting plate can be mounted so that the bottom sits approximately 12" off of the floor. Use the mounting hardware to secure the mounting plate to the wall of the sauna.

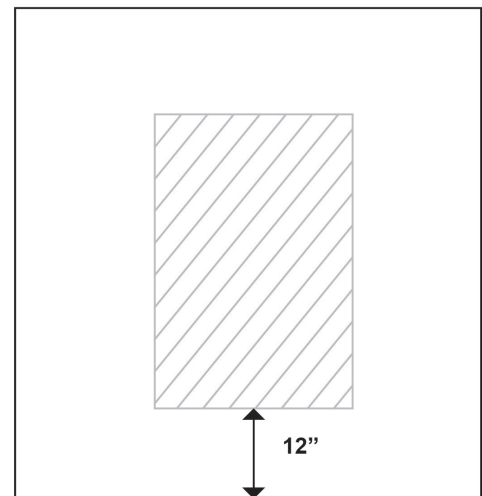
We recommend placing the thermometer approximately **~14" to the side of the heater, and approximately ~4" below the highest point of the sauna**. Please note that the roof is sloped, and the highest point is along the front wall where the slope is at its highest angle.

**Correct temperature sensor placement is crucial to the performance and maintenance of your heater.** If the sensor is placed too high or too low, your heater's internal safety switch will engage and shut off the heater before the 60 minute preheat time is finished, and your sauna may not come to temp. Incorrect temp sensor placement can also negatively affect the lifespan of your heater coils.

*\*If you have any questions about temp sensor placement, please contact Redwood Outdoors Customer Support for assistance.*



Spirit Heater Temperature Sensor Recommended Placement



Spirit Mounting Plate Placement

Complete heater manuals are available here



## Step 23b: Mount the Heater and Place the Temperature Sensor – Harvia KIP Heaters

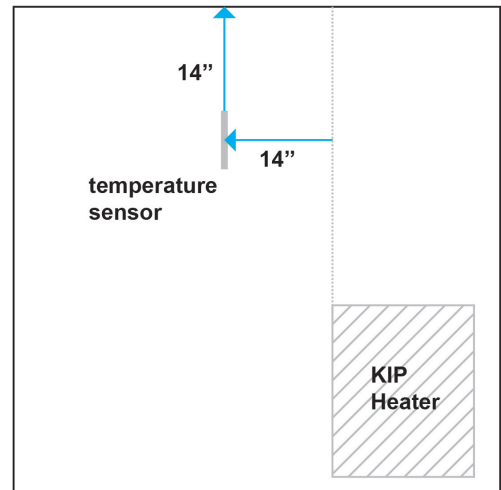
**For KIP heaters**, position the heater mounting screws approximately **20” off the sauna floor and spaced 15 ¼” apart**. Hang the heater on the mounting screws to ensure it is level and that its base sits **5-7” off the floor**.

All electrical wiring must be performed by **A QUALIFIED LICENSED ELECTRICIAN**. Heater installation manuals are available on the Redwood Outdoors website and should be provided to your electrician before installation.

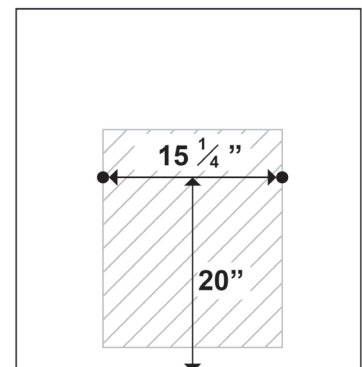
Once the heater is installed, place the heater’s temperature sensor. The temperature sensor controls the temperature inside the sauna. The heater will shut off when it senses that the sauna has reached the set temperature.

For **Harvia KIP** heaters, we recommend placing the thermometer **~14” to the side of the heater and ~14” below the ceiling’s highest point**. Make sure the top of the sensor is not covered. The diagram to the right shows the recommended placement.

**Correct temperature sensor placement is crucial to the performance and maintenance of your heater.** If the sensor is placed too high or too low, your heater’s internal safety switch will engage and shut off the heater before the 60 minute preheat time is finished, and your sauna will not come to temp. Incorrect temperature sensor placement can also negatively affect the lifespan of your heater coils.



KIP Heater Temperature Sensor Recommended Placement



KIP Mounting Screw Placement

## Heater Installation

### Step 23c: Mount the Heater and Place the Temperature Sensor – Harvia Virta Heaters

All electrical wiring must be performed by a **QUALIFIED LICENSED ELECTRICIAN**. Heater installation manuals are available on the Redwood Outdoors website and should be provided to your electrician before installation.

Once the heater is installed, place the heater's temperature sensor. The temperature sensor controls the temperature inside the sauna. The heater will shut off when it senses that the sauna has reached the set temperature.

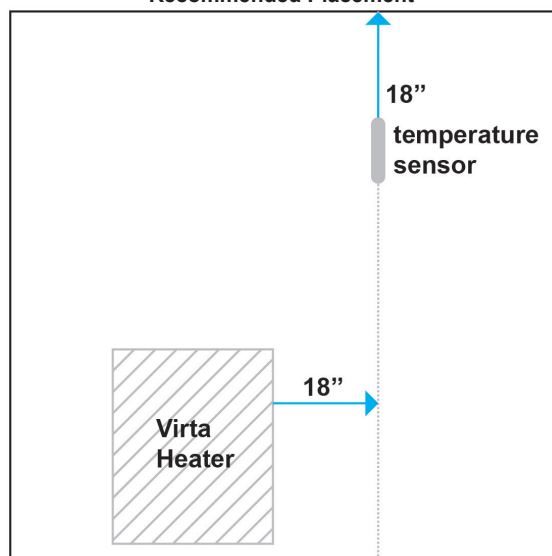
For **Harvia Virta** heaters, the heater is placed directly on the ground. Ensure that there is at least 2" of clearance on all sides. If your sauna has lower vent holes, make sure the heater is placed near them to allow adequate airflow.

We recommend placing the thermometer approximately **~18" to the side of the heater, and approximately ~18" below the highest point of the sauna**. Please note that if the roof is sloped, the highest point is where the slope is at its highest angle.

**Correct temperature sensor placement is crucial to the performance and maintenance of your heater.** If the sensor is placed too high or too low, your heater's internal safety switch will engage and shut off the heater before the 60 minute preheat time is finished, and your sauna may not come to temp. Incorrect temp sensor placement can also negatively affect the lifespan of your heater coils.

*\*If you have any questions about temp sensor placement, please contact Redwood Outdoors Customer Support for assistance.*

Virta Heater Temperature Sensor Recommended Placement



Complete heater manuals are available here



## Interior Finishing

### Step 24: Install the Light Fixture

A light fixture is provided with your sauna.

The light may be installed anywhere inside or outside of the sauna, as long as it is at least 4ft away from the heater and not installed directly above the heater.

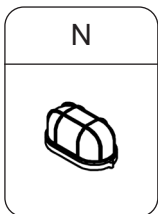
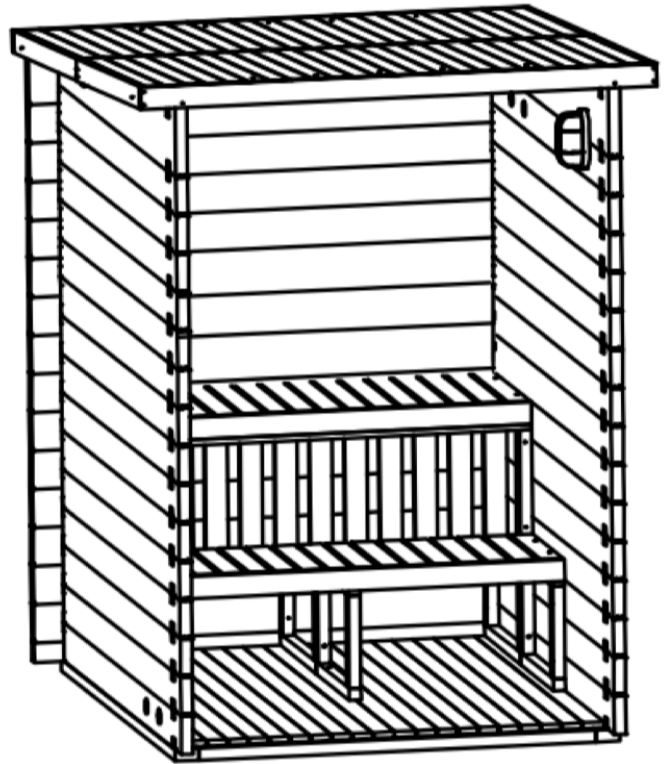
The light fixture must be installed by a licensed electrician. Wiring for the light fixture is not provided and will need to be sourced locally.

The light must be wired to a separate **120v** line.

If you have a wifi-enabled heater, the light can be wired into the wifi kit's power box and will be controlled by the included control panel or through your mobile app. More information on this will be available in your heater's manual.

**If your heater is not wifi-enabled, your electrician will need to supply a separate switch for the light as well.**

Your electrician should determine the best way for the wiring to enter the sauna based on your site conditions and fixture placement. Consult with your electrician about how best to hide the wiring for the light.

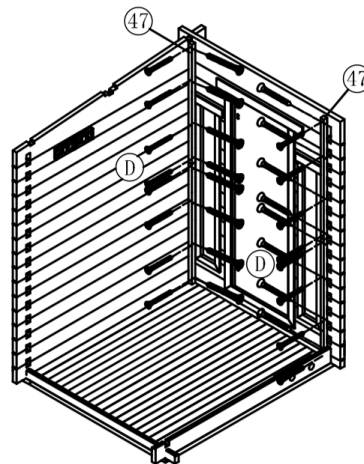


# Exterior Finishing

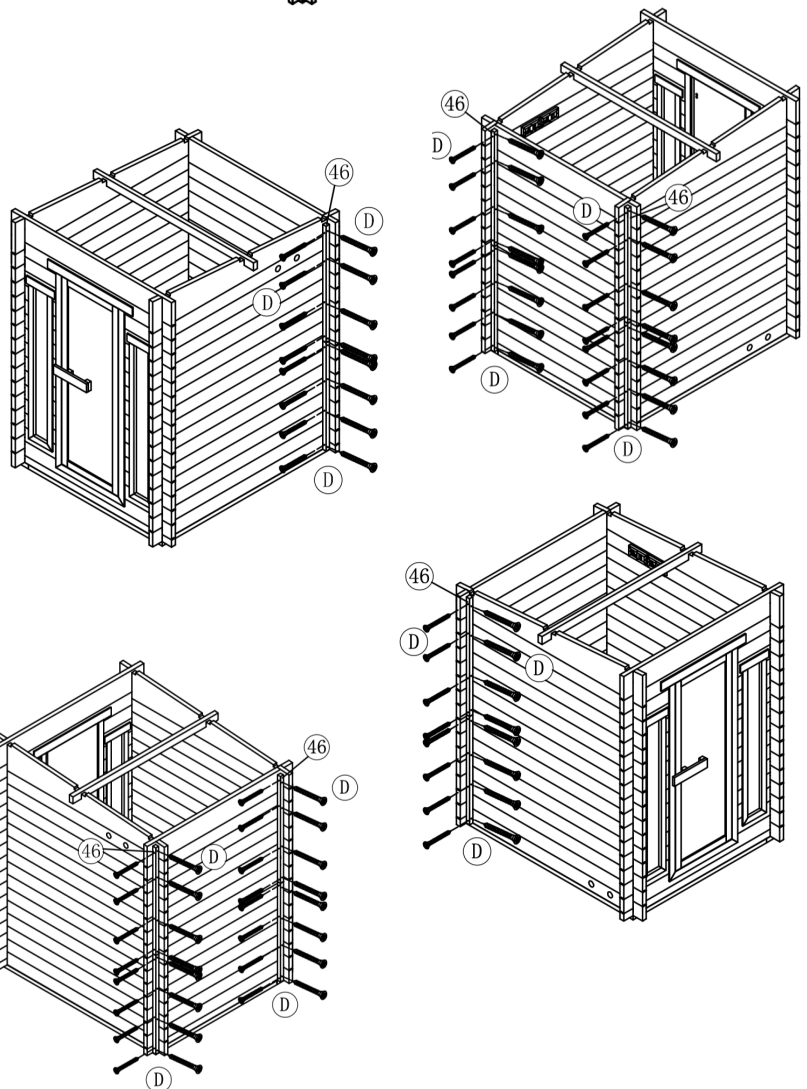
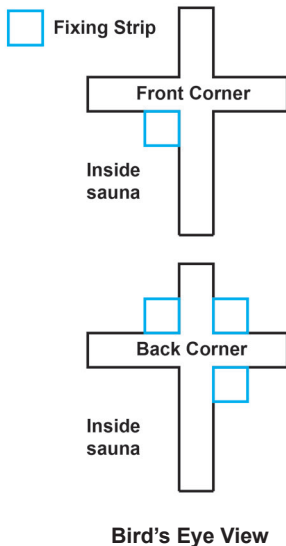
## Step 25: Install the Fixing Strips

Place the fixing strips at the front and back of the sauna to fix the beams in place. The fixing strips come in two half pieces, make sure you use both the top and bottom strip. Place the top strip as high up on the wall as possible.

At the front of the sauna, the fixing strips are installed on the **inside corner** of the front wall. At the back of the sauna, the strips cannot be placed inside due to the benches. At the back, place one strip in **each of the 3 exposed corners**.



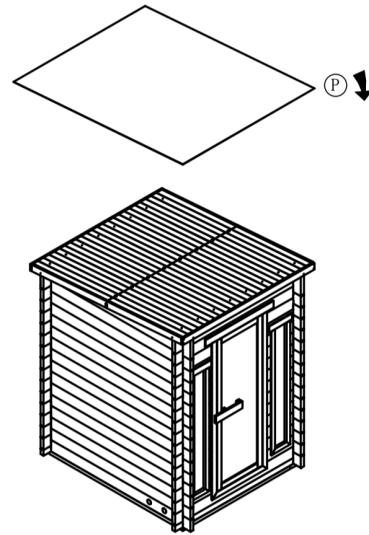
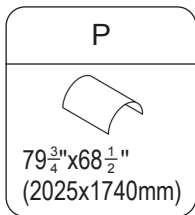
46	47	D
(1000mm)	(1100mm)	(4x50mm)



## Shingle Assembly

### Step 26: Place Roofing Underlay

Spread the underlay evenly across the top of the sauna. The edge of the underlay should line up with the edge of the roof. Cut away any excess underlay that sticks out beyond the roof edge.

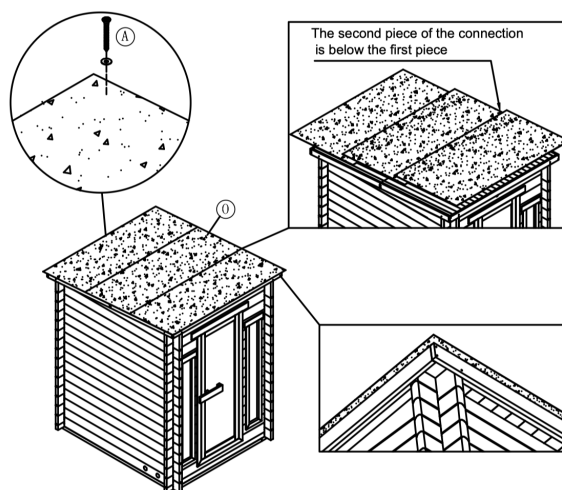




# Shingle Assembly

## Step 27a: Install the Shingle Rolls

Three rolls of asphalt shingles are provided. Roll these across your roof. The edges of each roll should overlap so that water can flow off the sauna without leaking in at the seams. Place the lowest roll first, and then the middle, then the upper.

Fasten the shingles to the roof frame using roofing nails. Note that roofing nails are not provided and should be sourced locally. If you are unable to source roofing nails, the A screws/washers provided with the kit can be used.

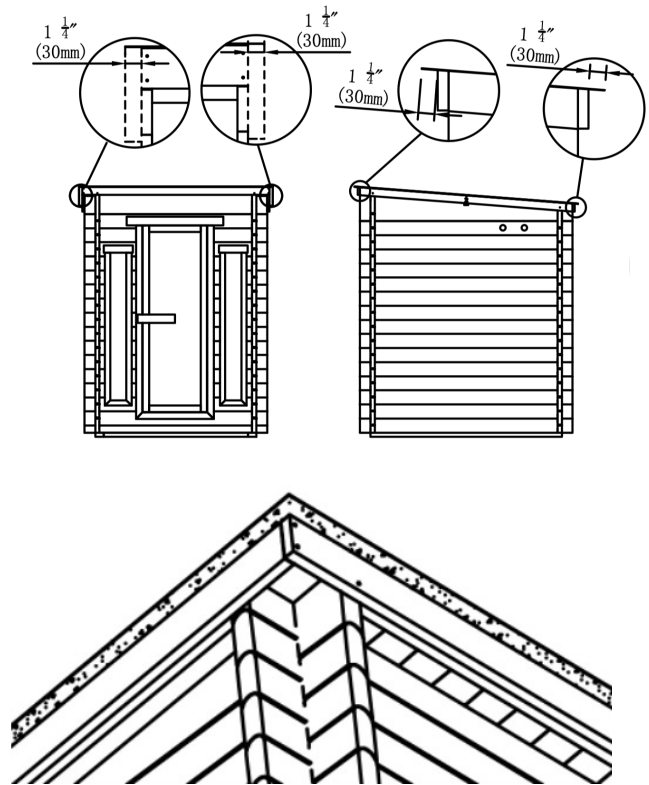


A	O
 #8x $\frac{3}{4}$ " (4x20mm)	 71"x39 $\frac{3}{8}$ " (1800x1000mm)

## Step 27b: Install the Shingle Rolls

The shingles should extend past the edge of your roof frame by  $1\frac{1}{4}$ ". If the shingles are bent at a 90-degree around the corner of the roof frame, the shingle sheet may crack.

You may need to cut some excess off your shingle rolls at the edges to achieve this overhang.



View From Under the Shingles

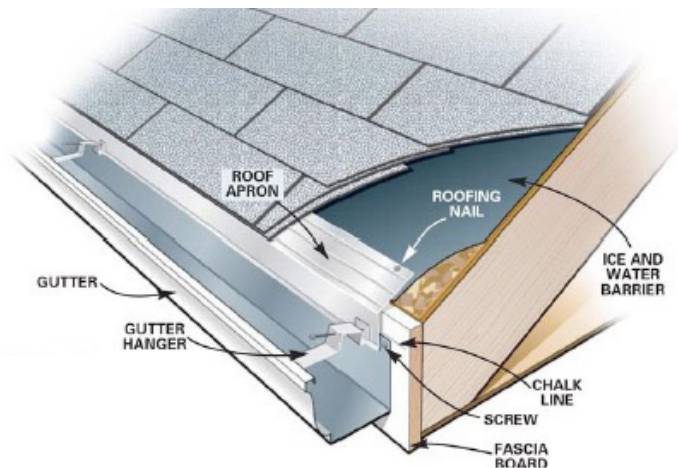
## Shingle Assembly

### Step 28: Install Drip Edge and Gutters (Optional)

To avoid water running onto the sauna walls, we recommend installing a drip edge and gutter system on the sides of the sauna roof.

**This is not essential** but will help keep your sauna dry and improve the effectiveness of your roofing. Drip edges and gutters are not provided because the sheet metal is easily bent/damaged during shipping but can be sourced locally.

**If you will be installing a gutter system, this should be installed before you install the shingles** (described in the previous page). An example drawing of how a gutter system is installed is shown below. If you decide to install gutters on your sauna, speak to your local hardware store or a building professional for advice on how to install them and what materials to buy.



# Maintenance

## Maintaining Your Sauna After Installation

### • Exterior Wood Treatment

Your sauna is designed for outdoor use, and the wood we use is naturally resistant to the elements. Nonetheless, over time your sauna will naturally weather, and the color of the wood will start to turn gray, especially in sunny areas. If you'd prefer to preserve the original exterior color of your sauna or even change the color completely, we recommend treating the **exterior only** with a water-based stain-and-seal. A stain-and-seal treatment will add extra protection against mildew as well. **Please note it is important that the inside of the sauna remains untreated to prevent fumes.**

If you would like to treat the interior of your sauna, Redwood Outdoors carries Supi Sauna Wax by Tikkurila. Supi Sauna Wax can be applied safely to wood inside the sauna room and provides long-lasting protection to keep your sauna looking its best.

### • Roofing and Waterproofing

Without a roof installed, it is normal to experience water leaking through the roof boards. The interlocking staves do not form a watertight seal. We recommend installing our asphalt roof shingles, or sourcing your own roofing materials locally. Some customers have installed metal roofs or cedar shingles which work.

It's normal for some water to seep into your sauna, especially on windy days if rain is blowing onto the side walls of your sauna. This will not harm your sauna or diminish its lifespan. After a heavy rainfall, we recommend you run the heater for a 1-hour cycle to dry out the room. Running the heater a few times a week during the wetter months will help prevent mold or mildew from developing.

### • Interior Maintenance and Cleaning

Treating your benches with paraffin oil will reduce the amount of sweat and dirt absorbed into the wood. We recommend treating new benches before using them; repeat the treatment once or twice a year after cleaning the sauna. Paraffin oil is colorless and odorless, and it will give the wood a slightly darker 'wet' look after it's applied. Be sure to **only use sauna-grade paraffin oil**, like Harvia Paraffin Oil, to prevent fumes. Paraffin lamp oil should not be used under any circumstances. Wood surfaces must be completely dry before applying an oil treatment.

Another option to protect and enhance the interior of your sauna is Supi Sauna Wax, which can be used on all surfaces inside the sauna, including benches, walls, floors, and ceilings. The wax absorbs into the wood, creating a silky matte finish that repels moisture and preserves the wood's natural look. Supi Sauna Wax is available in clear, white and black. Supi Sauna Wax is made in Finland by Tikkurila.

Under normal conditions, washing the interior of the sauna every 3 to 4 months will maintain cleanliness. We recommend using Harvia Sauna Cleanser or another suitable cleaning solution for wood. Refrain from using ammonia or harsh chemicals.

Clean the wood with a sponge or soft bristle brush and your cleaning solution. Always brush with the grain of the wood. If dirt is embedded in the benches, you can sand them down lightly. Rinse the sauna thoroughly with water to remove all the cleaning product. Run the heater for 1 to 2 hours to dry out the room and then leave the door open to air out the sauna.

# Maintenance

For stainless steel surfaces on your heater, we recommend Harvia Sauna Heater Cleanser which removes limescale stains.

Re-stack your sauna rocks every 6 months as the rocks will break down over time in high heat. Ensure that the rocks do not shift and cause the heater coils to bend into one another. We recommend replacing your sauna rocks completely every 12-18 months.

**After you have finished each sauna session**, we recommend running the heater for an additional 60 minute cycle with the door closed. This will dehumidify the room and dry out the wood. If you are using your sauna regularly (i.e., multiple times a week) and drying out the room after each session, this should largely prevent mold formation.

**If you are not using your sauna regularly**, run a dehumidifier and/or fan inside the sauna to keep air circulating (and empty the dehumidifier water tank regularly). Also place desiccants (e.g., a commercial desiccant such as Damp-Rid or non-commercial desiccant such as charcoal briquettes/kitty litter) on dishes and place them around the inside of the sauna.

## • Preventing and Treating Mold

The key to preventing mold from forming is to ensure the inside of the sauna is frequently dried out. Mold can develop as a result of moisture getting trapped inside the sauna over prolonged periods of exposure to sweat and steam or precipitation.

If you see mold on the inside or outside of your sauna, this should be treated early before it has time to grow and take hold. Clean the affected area with household white vinegar and gently scrub the area with a soft scrub brush and soapy water.

If you are unable to remove the mold with vinegar and soap, try stronger cleaning agents such as 30 Seconds Outdoor Cleaner or Behr All-in-One Wood Cleaner. Rinse the sauna thoroughly with water to remove the cleaning solution. Run the heater for 1 to 2 hours to dry the room. Any rags or scrub brushes that come into contact with the mold must be disposed of. **Proper protective equipment (goggles, mask, gloves, etc.) must be worn when removing mold.**

## • Instructions for First Time Use

Before placing the rocks in your heater, wash them off and dry them to remove any dust. Once they are dry, add the rocks to your heater. Make sure your rocks are not stacked too tightly to allow for appropriate air flow.

To prepare your heater for your first sauna session, turn your heater on to its highest heat setting for an hour. This will burn off the protective oil on the heater coils that may cause a mildly unpleasant smell. The sauna should not have anyone bathing in it during this cycle. Never run your heater without the rocks. After the initial 1 hour cycle, leave the door open and let the sauna air out for several hours.

Now your sauna is ready to use!

# Warranty

- **Warranty**

Our saunas and sauna heaters come with a 1-year limited warranty. Please refer to <https://www.redwoodoutdoors.com/warranty> for detailed warranty information on our products.

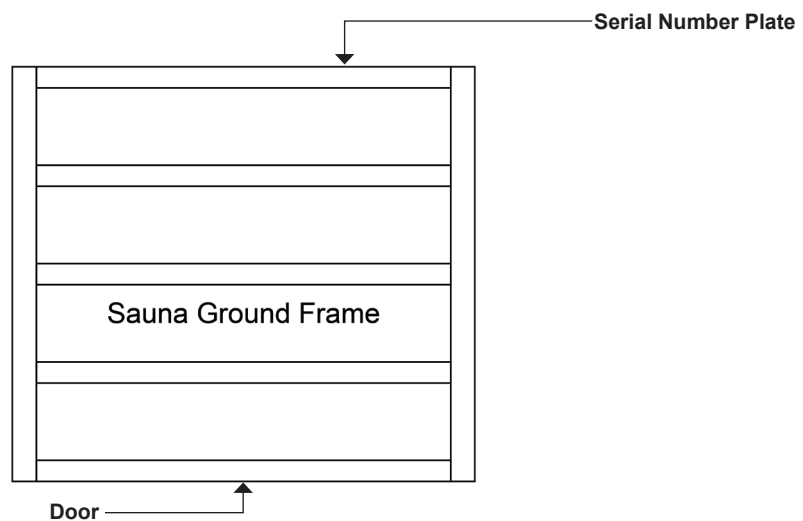
- **Serial Number**

Each of our saunas is fitted with a unique serial number. This number is used to verify your sauna's authenticity as well as streamline service requests.

**2503C1S0001**

Example Serial Number Plate

The plate is attached to one of your sauna's base pieces. You can position it on the side opposite to your sauna's door, so it is not visible during daily use.



Please make a note of your sauna's serial number. If you require assistance, **please include the serial number in your email to Redwood Outdoors' customer support team.** This will allow our team to quickly access your production and shipping details so we can resolve any issues promptly.

# User Guide

## How to Take a Traditional Finnish Sauna

- Traditional sauna bathing is done in 'rounds' or intervals. A round involves heating the body up and then cooling it down. A typical round consists of 10-15 minutes in the sauna followed by a cool down period of approximately 5 minutes.
- Preheat the sauna to your desired temperature (traditional Finnish saunas run between 160°F and 185°F). Preheating typically takes 45 minutes to an hour. If the ambient temp outside is below 20°F, preheating may take longer than one hour. Digital sauna heaters can be started remotely via Wi-Fi. Manual control sauna heaters can be set on a delay timer to start at a predetermined time up to 8 hours in the future.
- All residential sauna heaters have a maximum independent run time of 1 hour for safety reasons, but they can be restarted again as many times as desired. When you enter the sauna for your first round, begin by resetting the heater to the full 1 hour.
- The first sauna round is typically enjoyed dry, which means no water is added to the rocks. Heat stacks in a sauna, so it's normal that the floor will be much cooler than at your head. If you find your head gets too hot, you can wear a sauna hat, which will help keep your head cooler and allow you to feel more of the heat sensation on your body.
- After 10-15 minutes, exit the sauna and begin your cool down phase. If you have an outdoor shower or cold plunge tub, this can be used during your cool down and provides for a much more rapid and effective cool down phase. The goal is to bring your body temperature back down in preparation for the next hot phase.
- The 2nd and 3rd sauna rounds are typically enjoyed with added humidity, which increases the sensation of heat. Water can be gently ladled on to the rocks to create steam or 'löyly'.
- You may add aromatherapy oils to your water bucket to create a scented steam. The classic scents used in Finland are birch, pine and eucalyptus. All aromatherapy oils are formulated differently, so make sure yours does not leave any residue on the rocks.
- When pouring water on the rocks, do so slowly and only when the sauna is at full temperature. The water should evaporate instantly when it hits the rocks. If you notice water coming out the bottom of the heater it means you are pouring too fast or too much. If you like to use a lot of water in the sauna, it is recommended to buy a sauna fountain. These stone fountains sit amongst the rocks and help create steam.
- A typical sauna session is 2 or 3 rounds. Do not skip the cool down phase on your final round. A sauna session ends with a cool down, after which you can take a warm shower.
- It is important to drink water during a sauna session. You should aim to drink at least 24 ounces of water during a session.
- Excessive heat exposure can be harmful to a person's health. People with certain health conditions should consult their physicians before using the sauna.

***SAUNA BATHING IS NOT RECOMMENDED FOR CHILDREN UNDER 14.  
CHILDREN MUST BE SUPERVISED BY ADULTS.***

# User Guide

## How to Ventilate Your Sauna

### • Why Ventilation is Important

Your sauna needs to breathe just like you do. Taking deep, refreshing breaths while you're using the sauna is key to a great experience. Proper ventilation ensures you're getting fresh, oxygen-rich air with every breath.

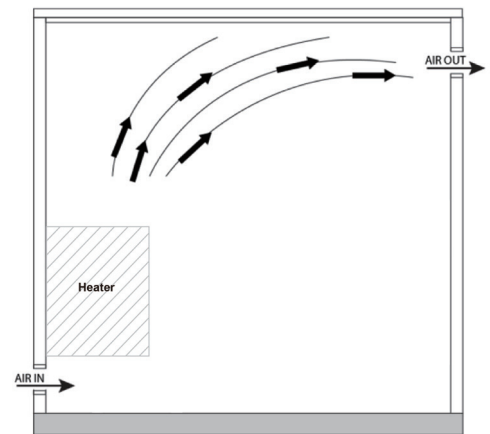
The flow of air through your sauna helps to distribute hot air around the sauna room, creating a more even temperature distribution.

### • How Your Sauna is Ventilated

Your sauna is designed with natural updraft ventilation.

Cool air comes in through the intake vents below the heater and is warmed. With the natural updraft ventilation hot air flows out of the exhaust vents, creating a vacuum that pulls in fresh air through the intake vents completing the convective loop. Warm air spreads out through the sauna, allowing bathers to enjoy hotter temps.

Without a ventilation system, the warm air rises and stacks at the top of the sauna, leaving the benches and floor feeling significantly cooler.



### • How To Use Your Sauna's Ventilation System

We recommend always keeping the two intake vents open, as this cools your heater preventing it from shutting off pre-maturely.

While your sauna is heating, the two exhaust vents should be closed.

Open the exhaust vents when you enter the sauna to create air circulation.

If you leave the sauna but are coming back for another round. Close the exhaust vents.

If you leave the sauna and have finished your session. Leave the exhaust vents open to help dry the sauna out.

Ventilation is an art and a science. The right way to use the sauna's ventilation will depend on your location, weather conditions, and your personal preferences.

The suggestions above are general guidelines. We encourage you to try different approaches and find the best combination for you. For example, you may have a better experience when you keep one intake vent closed during heat-up and only open one vent while inside.

Using a manual or electric fan can greatly improve the temperature distribution inside your sauna. We recommend using a fan if you find you have large temperature differences inside your sauna.

# User Guide

## Important Note About Heat-Up Times

**During colder winter months, your sauna will take longer to reach the desired temperature.** This is **normal** and is due to external conditions.

Several factors contribute to slower heat-up times in winter:

- **Ambient Temperature:** When your sauna starts heating from a low outdoor temperature—especially near or below freezing—the heater must work harder and longer to raise the room's temperature.
- **Cold Rocks:** It takes longer to heat the rocks in the heater that are at the same low temperature as the air inside your sauna. The rocks must heat up first before the room can start heating.
- **Heat Loss Through Surfaces:** The sauna's walls, floor, and roof are much colder. These surfaces absorb heat and lose heat to the environment as the sauna warms up, reducing the speed the room's temperature rises.
- **Wind and Airflow:** Outdoor air movement can increase heat loss, especially if the sauna is not in a sheltered location.
- **Humidity and Snow:** Moisture in the air, snow on the roof, or frost on the panels can draw heat away from the interior as the heater operates.

### To improve heat-up times in winter:

- Allow extra time for the sauna to preheat before use.
- Make sure the door is kept closed to minimize heat loss.
- Clear snow or frost from the exterior before use if possible.
- Consider installing a windbreak or shelter if your sauna is in a particularly exposed area.

Please note that most sauna heaters have an automatic safety shutoff after 60 minutes. To continue heating after 60 minutes have passed, you must restart the heater.

## IMPORTANT NOTICE

YOU ARE SOLELY RESPONSIBLE FOR: (A) ENSURING COMPLIANCE WITH ALL APPLICABLE BUILDING CODES, ZONING, ORDINANCES, BUSINESS DISTRICT OR ASSOCIATION RULES, COVENANTS, CONDITIONS, AND RESTRICTIONS, LEASE OBLIGATIONS, LANDLORD OR OWNER APPROVALS OR REQUIREMENTS RELATED TO ANY PRODUCTS YOUR PURCHASE; AND (B) OBTAINING ANY PERMITS OR AUTHORIZATIONS NECESSARY FOR INSTALLATION AND/OR USE OF SUCH PRODUCTS, INCLUDING ANY PAYMENT OF ANY FEES OR OTHER CHARGES FOR PERMITS OR AUTHORIZATIONS (COLLECTIVELY, "LEGAL REQUIREMENTS"). THIS INSTALLATION MANUAL IS PROVIDED SOLELY AS A COURTESY TO YOU AND DOES NOT CONSTITUTE ANY WARRANTY BY REDWOOD OUTDOORS TO YOU REGARDING THE PLACEMENT OR INSTALLATION OF THE PRODUCT. THIS MANUAL IS NECESSARILY GENERAL IN NATURE AND MAY NOT TAKE INTO CONSIDERATION ALL OF THE CONDITIONS AND CIRCUMSTANCES OF YOUR PROJECT. YOU ARE SOLELY RESPONSIBLE FOR DETERMINING WHETHER THE PLACEMENT AND INSTALLATION OF THE PRODUCT IS APPROPRIATE AND IN COMPLIANCE WITH ALL LEGAL REQUIREMENTS. YOU SHOULD CONSULT QUALIFIED CONSTRUCTION, ELECTRICAL, ENGINEERING OR OTHER SERVICE PROFESSIONALS IF YOU HAVE QUESTIONS ABOUT THE PROPER INSTALLATION OF THE PRODUCT. REDWOOD OUTDOORS AND ITS SUPPLIERS WILL NOT BE LIABLE TO YOU FOR ANY CLAIMS OR DAMAGES ARISING FROM YOUR INSTALLATION, MAINTENANCE, OR REPAIR OF ANY PRODUCT.



REDWOOD  
OUTDOORS

View this manual online  
here



View the assembly video  
here



### Contact Info

Phone: 1-800-567-8036  
Email: [support@redwoodoutdoors.com](mailto:support@redwoodoutdoors.com)  
Website: [www.redwoodoutdoors.com](http://www.redwoodoutdoors.com)

### Version

Date: Jul 16, 2025  
Version: 5.9