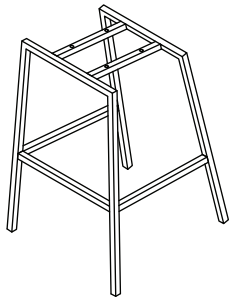
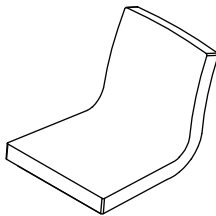


PLEASE NOTE: Check that you have received all components and hardware before assembling.

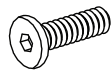
Assembly Instructions Counter Stool



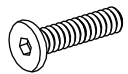
A (1 pc)



B (1 pc)



C (2 pc)
M6 x 35mm



D (2 pcs)
M6 x 40mm



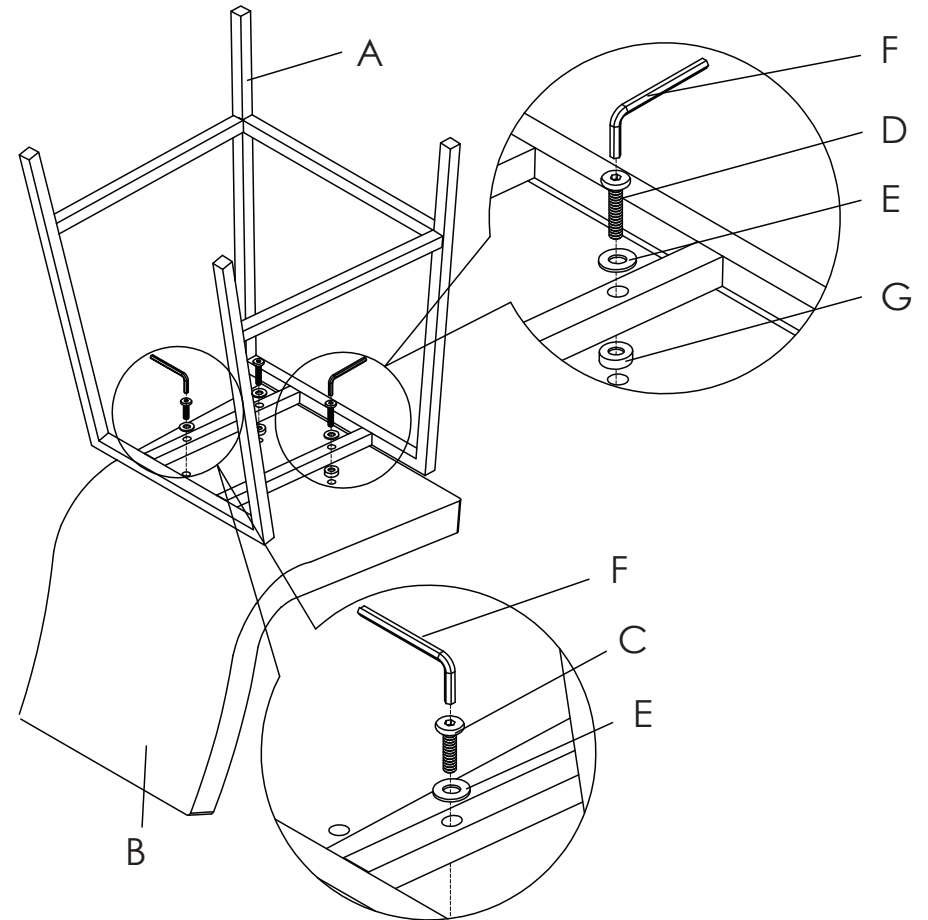
E (4 pcs)
ø16 x ø6



F (1 pc)
4mm



G (2 pc)



During assembly, hand tighten screws only. When the screws are in place, tighten completely.