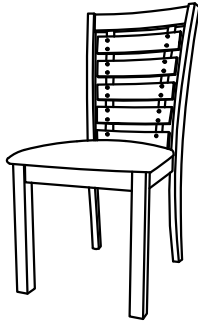


# ASSEMBLY INSTRUCTION

## Description: DINING CHAIR



### IMPORTANT NOTE :

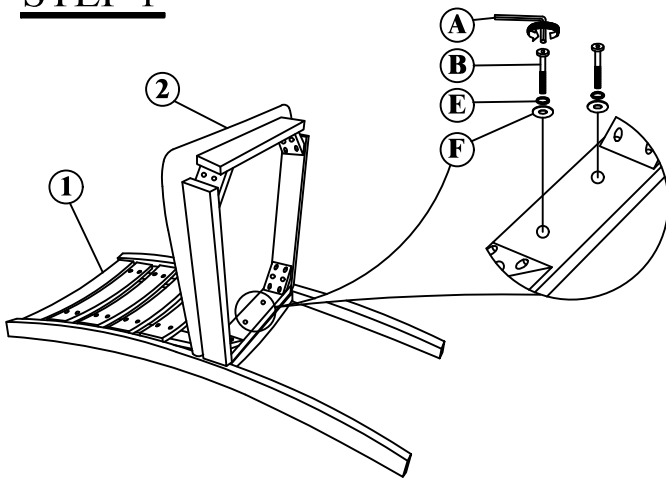
- Place all wooden parts on a clean and smooth surface such as a rug or carpet to avoid the parts from being scratched.
- Check to be sure that you have all parts and hardware.
- Remove all wrapping materials, including staples & packing straps before you start to assemble.
- Do not tighten all screws/bolts until all completely assembled.
- Keep all hardware parts out of reach of children.
- Tighten screws periodically! With the use of this product bolts and screws may become loose over time!
- Do not attempt to modify parts!

### ▲ PARTS FOR EACH CHAIR

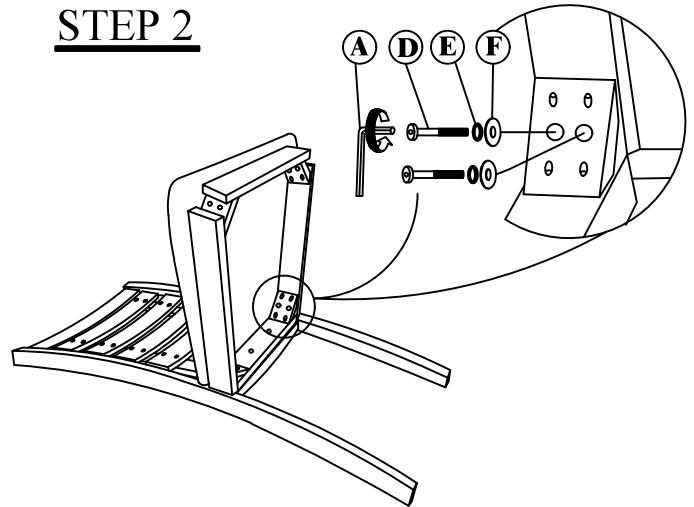
PARTS LIST		
NO.	COMPONENT	QTY.
1	CHAIR BACK	1 PCS
2	SEAT CUSHION WITH FRAME	1 PCS
3	FRONT LEG	2 PCS

HARDWARE LIST		
NO.	DESCRIPTION	QTY.
A	M4 x 100MM ALLEN KEY	1 PCS
B	M6 x 35MM JCBC BOLT	2 PCS
C	M6 x 60MM JCBC BOLT	4 PCS
D	M6 x 80MM JCBC BOLT	4 PCS
E	M6 x 13MM SPRING WASHER	10 PCS
F	M6 x 19MM FLAT WASHER	10 PCS

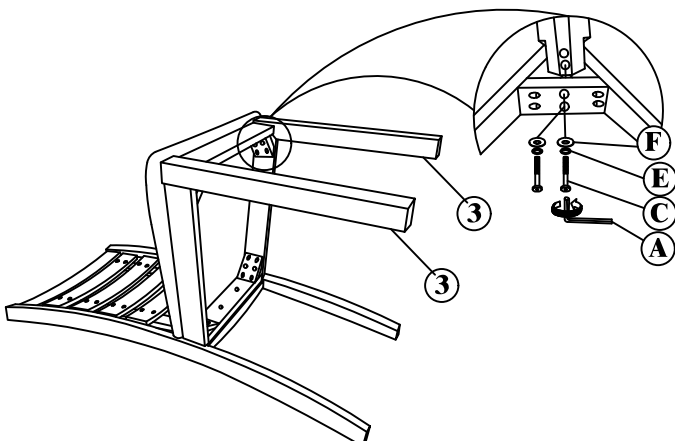
### STEP 1



### STEP 2



### STEP 3



### STEP 4

