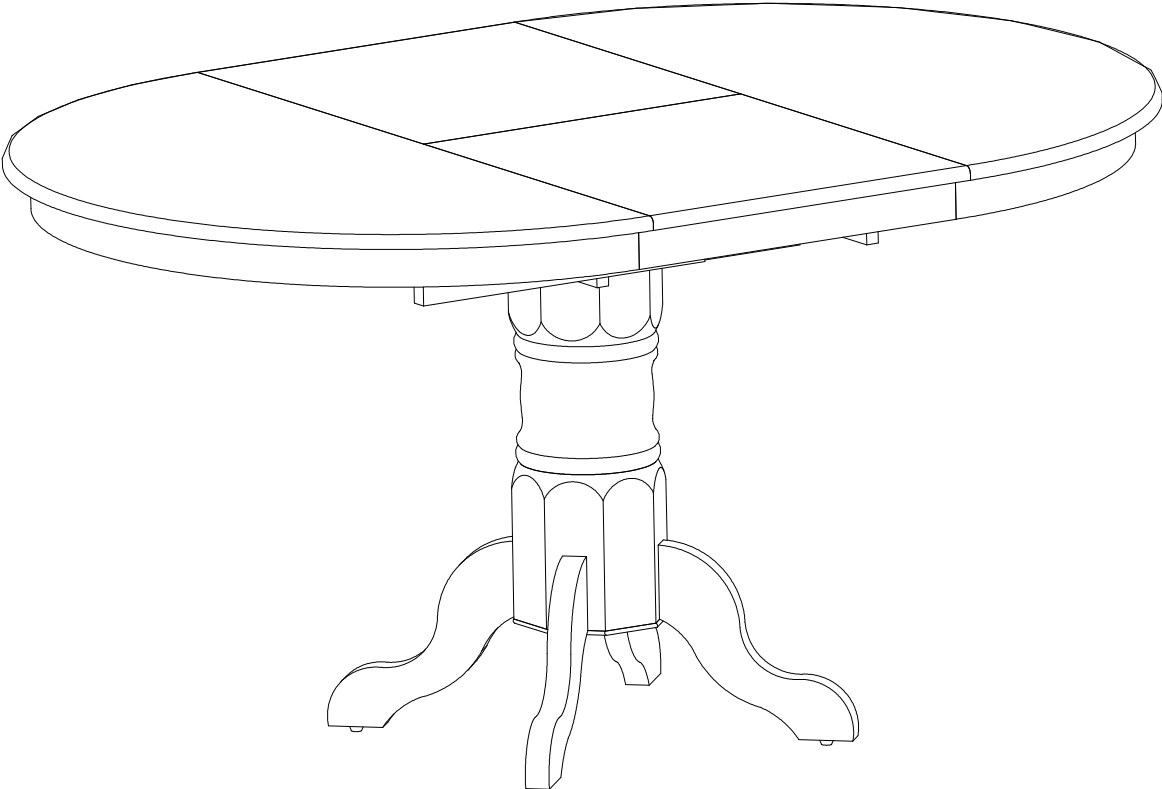


ASSEMBLY INSTRUCTIONS



Description	: OVAL DINING TABLE TOP 42"x60" WITH 18" BUTTERFLY LEAF		
Dimension	: 42"Wx42" /60"Dx30"H		
Cube size	: 44.4"x44.4"x8"	NW: 74.6	LBS
(Top)		GW: 83.6	LBS
Cube size	: 24.4"x10.5"x9"	NW: 17.6	LBS
(Pedestal)		GW: 19.8	LBS

OVAL DINING TABLE TOP 42"x60" WITH 18" BUTTERFLY LEAF

BEFORE ASSEMBLY

Thank you for purchasing this quality product. This product has been designed for easy assembly and constructed for durability. Please take the time to read and follow the assembly instructions carefully.

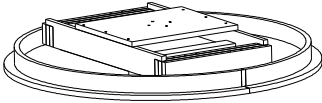
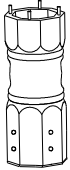
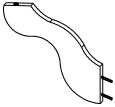
Be sure to check all packing material carefully for small parts which may have come loose inside the carton during shipment. Please separate, identify, and count all parts and metal hardware. Compare with part list to be sure all parts are present. If hardware is missing or you have difficulty assembling this product, please call for us.

IMPORTANT NOTE:

- Place all wooden parts on a clean and smooth surface such as a rug or carpet to avoid the parts from being scratched.
- Remove all wrapping material, including staples & packing straps before you start to assemble.
- DO NOT tighten all screws and bolts until completely assembled.
- Keep all hardware parts out of reach of children.

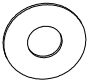


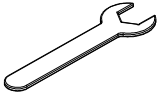
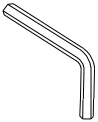
PART LIST

When unpacking, please be careful not to discard any parts with the packaging. Before continuing, please make sure you have the following parts:

NO	Description	Qty	Sketch	NO	Description	Qty	Sketch
A	Top	1		B	Pedestal column	1	
C	Leg	4					

HARDWARE LIST

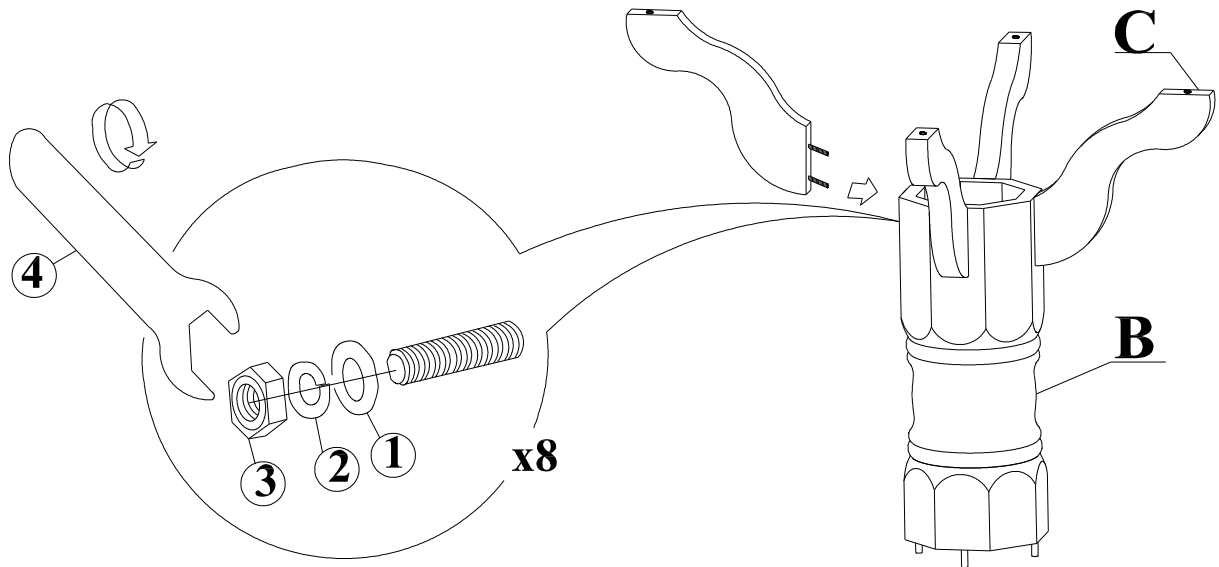
When unpacking, please be careful not to discard any parts with the packaging. Before continuing, please make sure you have all of the following hardware:

NO	Description	Qty	Sketch	NO	Description	Qty	Sketch
1	Flat washer ($\Phi 8.5 \times \Phi 19 \text{mm}$)	12		2	Lock washer ($\Phi 8.5 \times \Phi 11 \text{mm}$)	12	
3	Hexagon nut (M8x13mm)	12		4	Wrench (M13mm)	1	
5	Allen key (4mm)	1					

OVAL DINING TABLE TOP 42"x60" WITH 18" BUTTERFLY LEAF

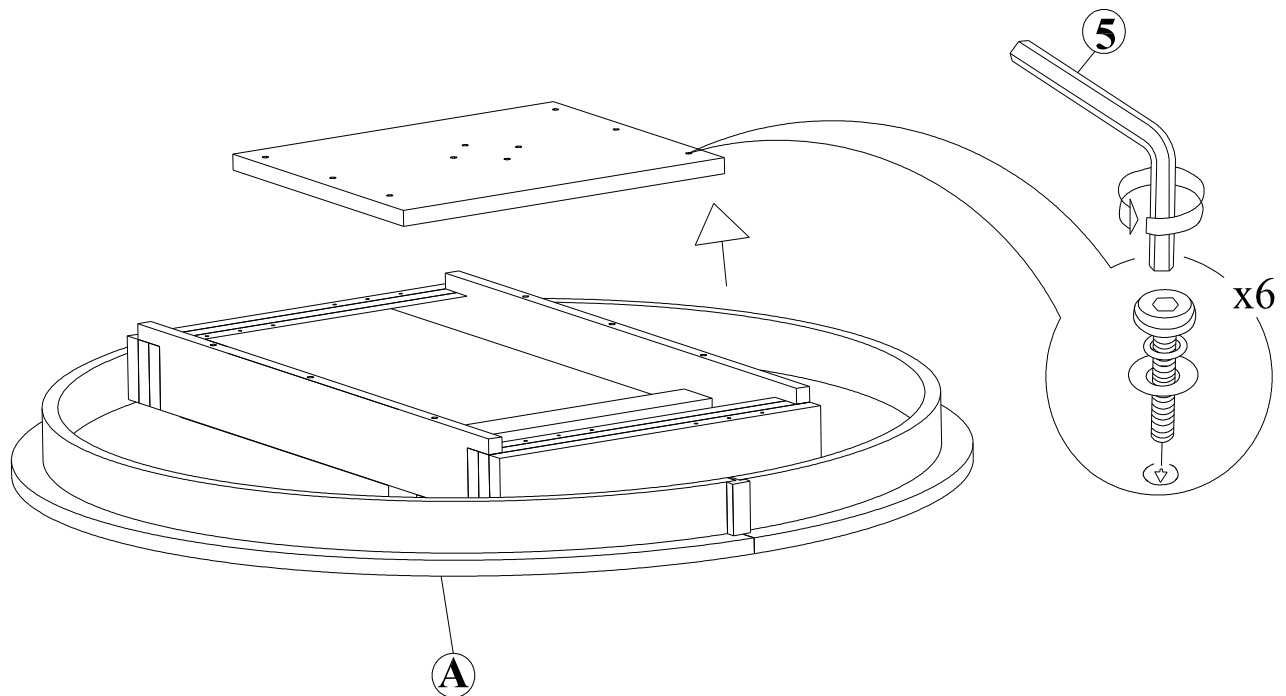
STEP 1

Attach Legs (C) to column (B) by using Nuts (3), and Washers (2) and (1). Tighten with Wrench (4) as shown below.



STEP 2

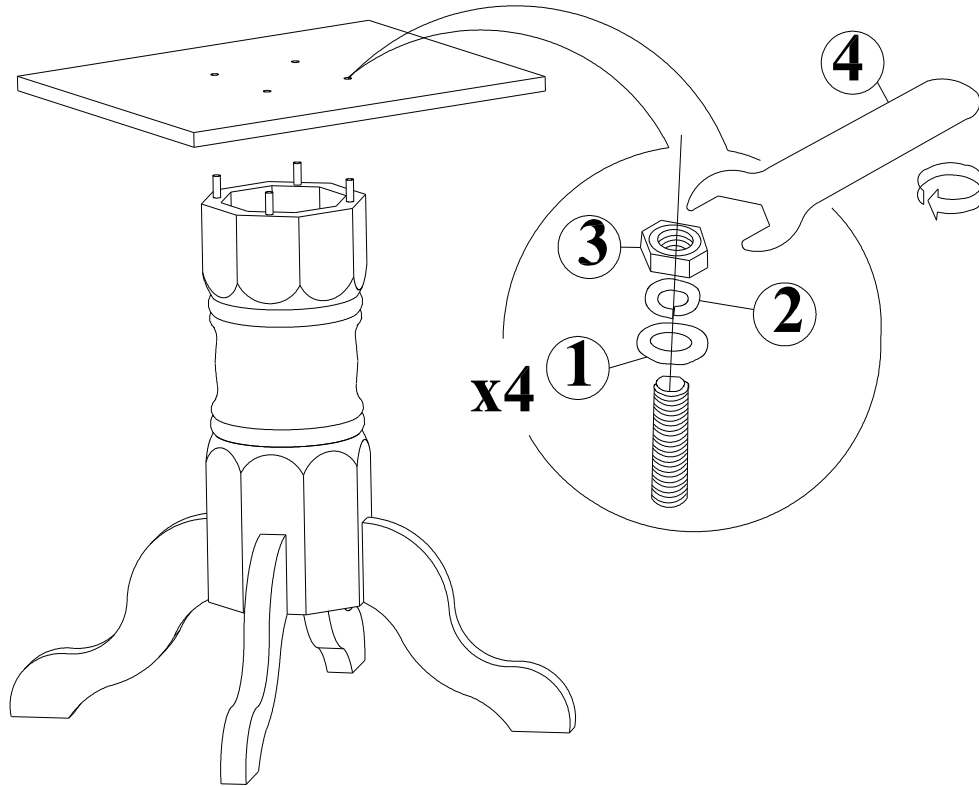
Use the Allen key (5) to loosen the bolts, and take off the plate underneath of the table top.



OVAL DINING TABLE TOP 42"x60" WITH 18" BUTTERFLY LEAF

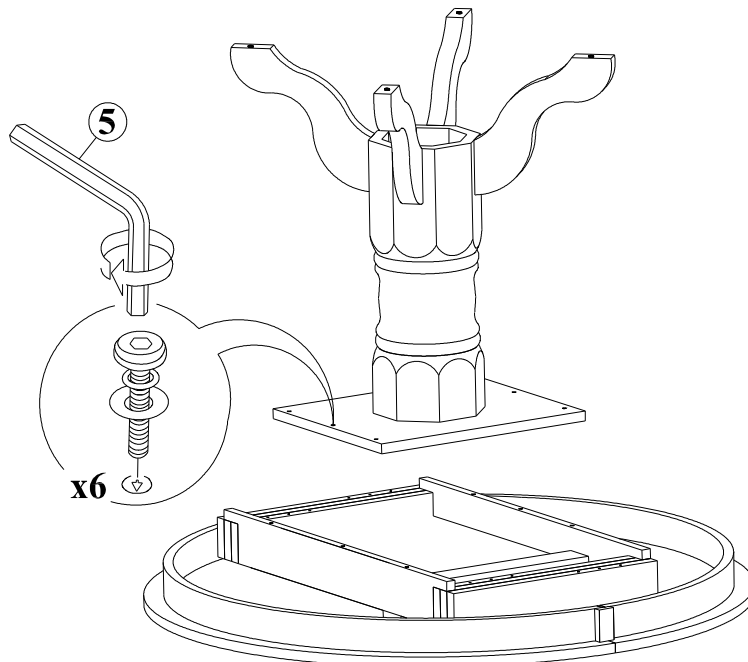
STEP 3

Place the plate on top of the column (B), attach with washers (1), (2) and nuts (3). Tighten with the Wrench (4) as shown below.



STEP 4

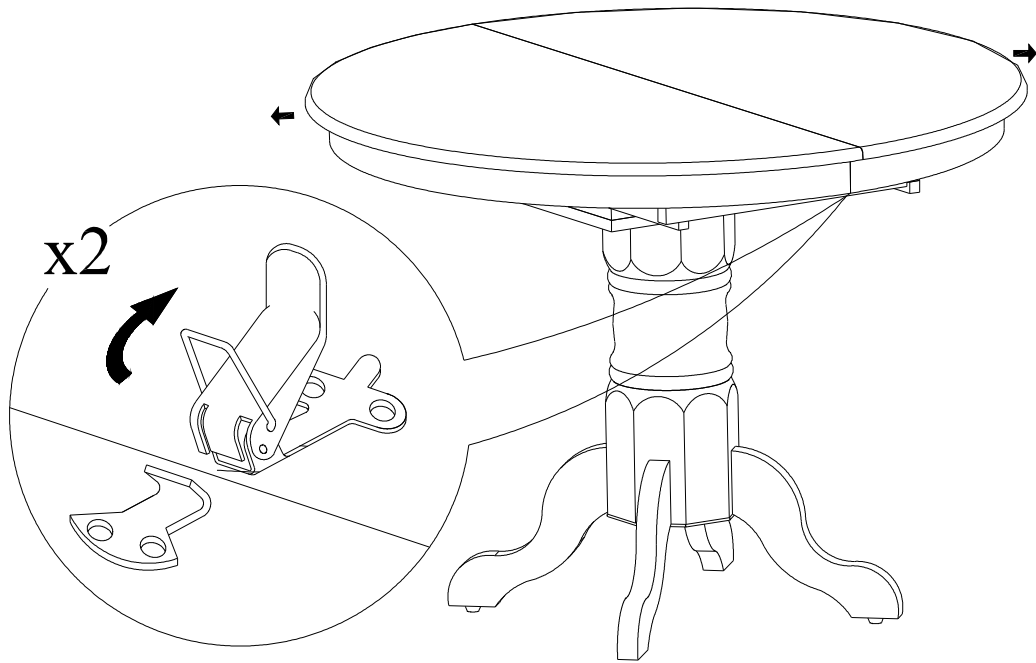
Carefully put the pedestal block on the bottom side of the table top, attach the top to plate with bolts (from step 2) and tighten with the Allen key (5)



OVAL DINING TABLE TOP 42"x60" WITH 18" BUTTERFLY LEAF

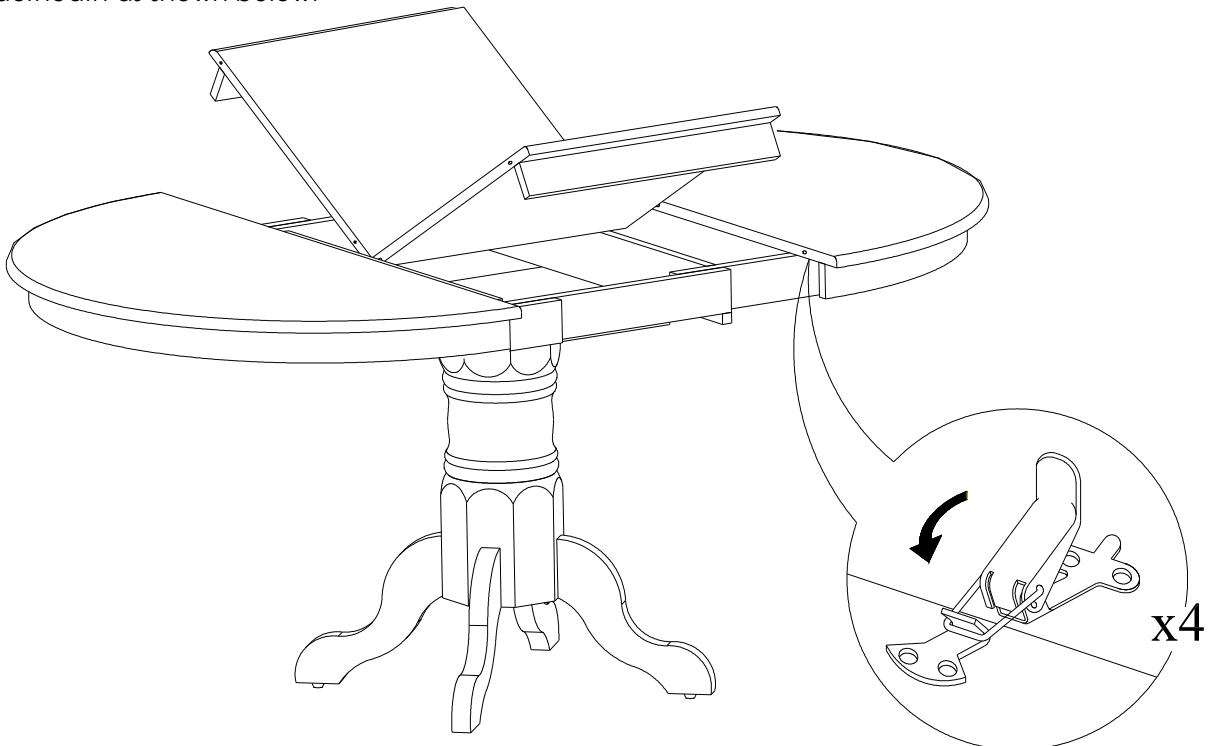
STEP 5

Stand the table upright. Unlock the table top from both sides underneath of the top as shown below. Pull the 2 parts of the table top apart.



STEP 6

Lift the butterfly leaf on, and spread it at center of open table top. Lock the table top parts underneath as shown below.



OVAL DINING TABLE TOP 42"x60" WITH 18" BUTTERFLY LEAF