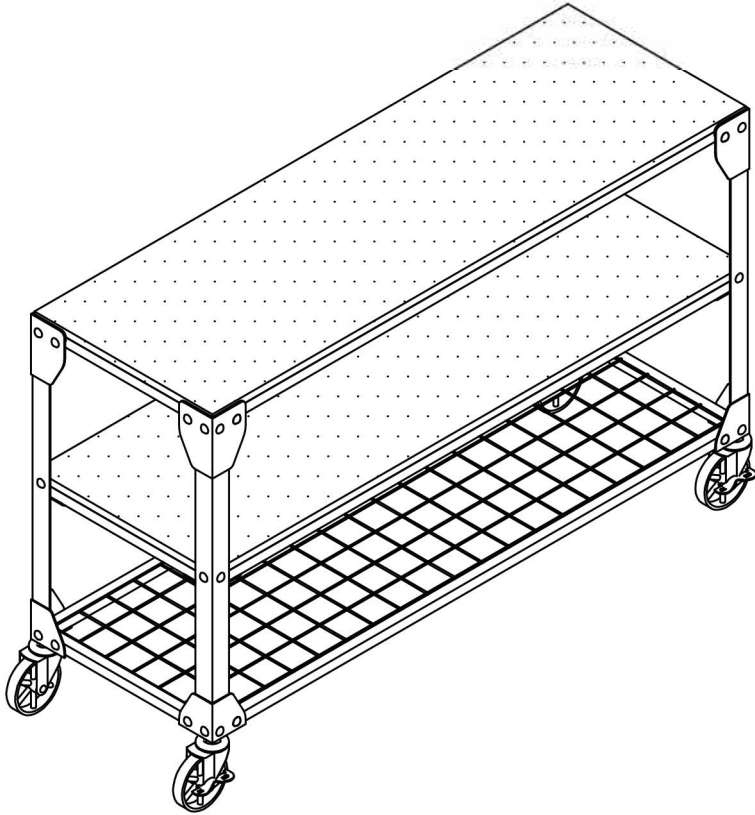


# Assembly Instructions

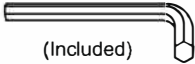


## ASSEMBLY RATING

The Assembly Rating is a 5-point system that shows the degree of effort needed in assembling a specific product (with 1 being easy and 5 being difficult). For some products, two persons are recommended.

## Tools Required For Assembly:

Allen Wrench



Wrench



EASY



DIFFICULT

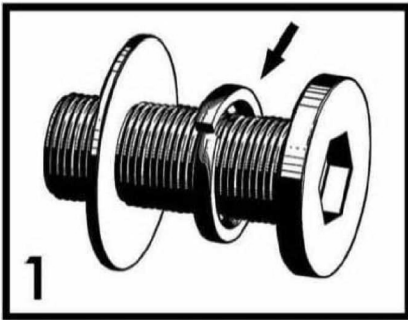


2 PERSONS RECOMMENDED

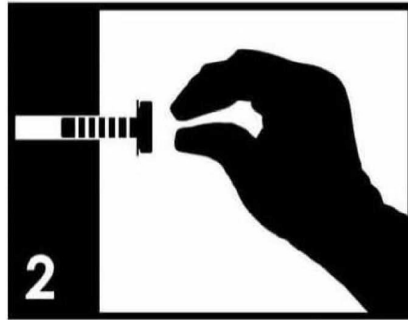
# ASSEMBLY & CARE ADVICE

FOR YOUR FURNITURE TO LAST, CORRECT ASSEMBLY AND PROPER MAINTENANCE ARE NECESSARY. PLEASE FOLLOW THE INFORMATION PROVIDED BELOW TO FULLY ENJOY YOUR FURNITURE.

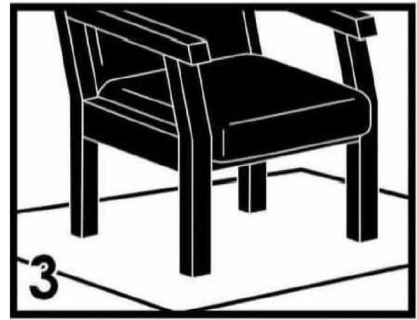
## BASIC ASSEMBLY TECHNIQUES



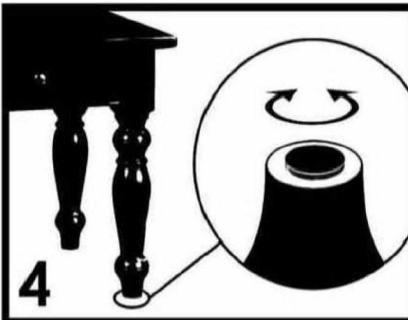
When lock or spring washer is used in an assembly, please make sure the lock or spring washer is placed between the larger flat washer and the head of the screw or bolt.



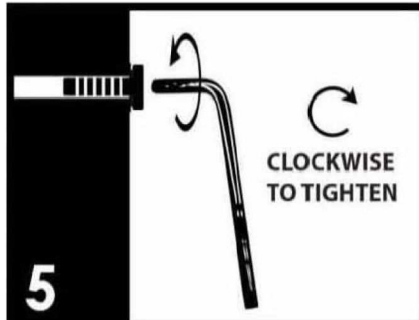
Position each part correctly and insert screws or bolts into their respective holes by hand tighten or using the proper hand tool. Only tighten when step is completed or when instructed to do so.



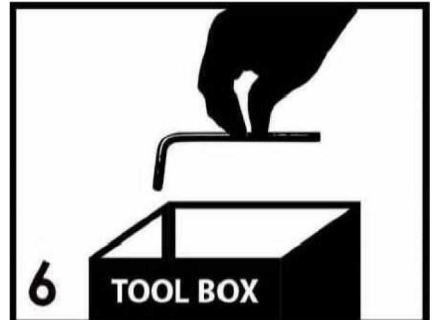
Use cardboard or carpet area when assembling furniture to prevent scratches. Make sure the furniture rests on a flat and level surface with each leg evenly touching the floor.



Some furniture comes with height adjustment knobs underneath each leg. To lower or to raise each leg, you need to turn clockwise or counterclockwise, respectively.



Make sure all parts are properly aligned, then use the appropriate hand tool to completely tighten the bolts or screws. Do not use power tools and do not overtighten.

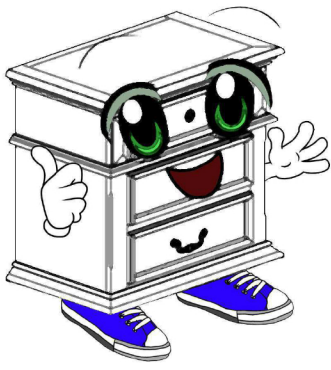


Save the instructions and store the Allen wrench or any supplied tool for later maintenance. After two weeks, check and tighten any loose hardware and repeat again every six months thereafter.

IT IS THE USER'S RESPONSIBILITY TO MAINTAIN THE FURNITURE. THE HARDWARE MAY LOOSEN OVER TIME AND MAY CAUSE THE FURNITURE TO BE WOBBLY AND UNABLE TO SUPPORT ITS INTENDED WEIGHT CAPACITY. THIS MAY LEAD TO COLLAPSE AND MAY CAUSE SERIOUS INJURY.



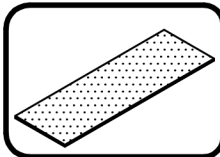
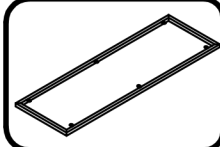
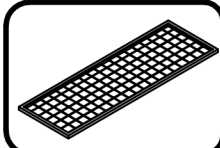
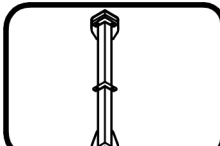

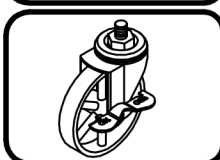
**FAILURE TO FOLLOW THE GUIDELINES ABOVE MAY RESULT IN INJURY AND/OR PROPERTY DAMAGE.**



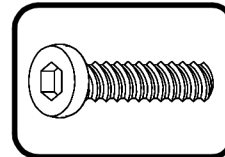
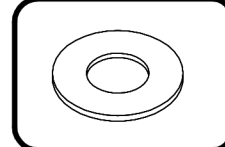
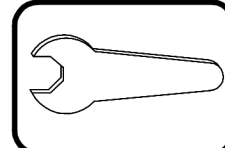
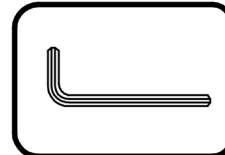
Before you begin, please read Page 2 of "Assembly and Care Advice".

And remember, do not tighten until each step is completed or instructed.

### Parts List

-  #1 x 2pc  
Table Top
-  #2 x 2pcs  
Apron
-  #3 x 1pc  
Table Frame
-  #4 x 4pcs  
Leg
-  #5 x 2pcs  
Trundle
-  #6 x 2pcs  
Trundle With Lock

### Hardware List

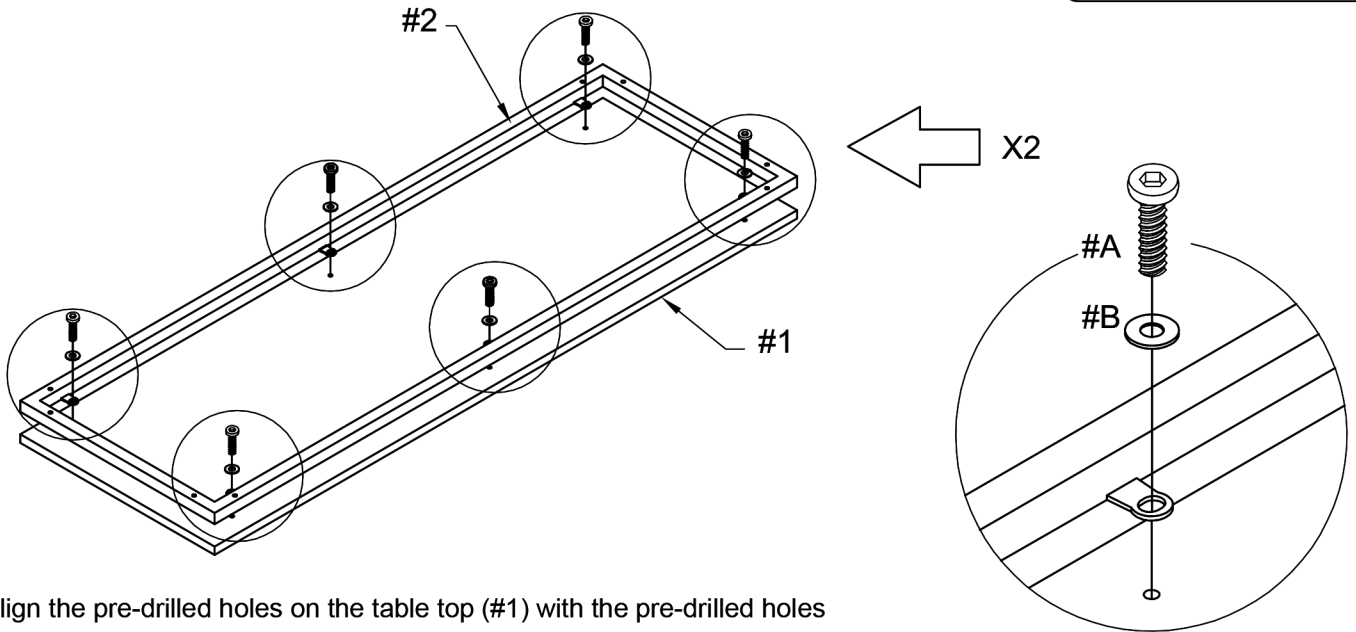
-  #A x 36pcs  
Bolt 1/4"x1/2"
-  #B x 36pcs  
Flat Washer
-  #C x 1pc  
Wrench
-  #D x 1pc  
Allen Wrench



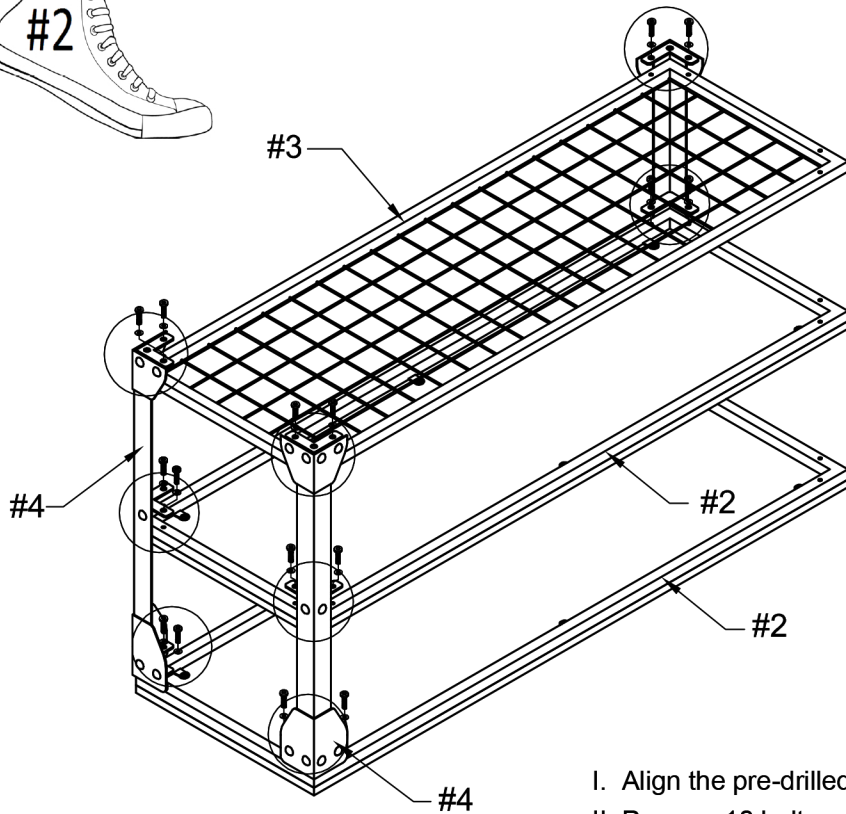
### ASSEMBLY

Do not fully tighten all bolts until assembly is complete. This will help all parts to assemble properly.

#A		12pcs
#B		12pcs
#D		






- I. Align the pre-drilled holes on the table top (#1) with the pre-drilled holes on the apron (#2).
- II. Prepare 6 bolt assemblies by inserting the flat washer (#B) onto the bolt (#A) and secure using the Allen wrench (#D). Repeat process a second time.

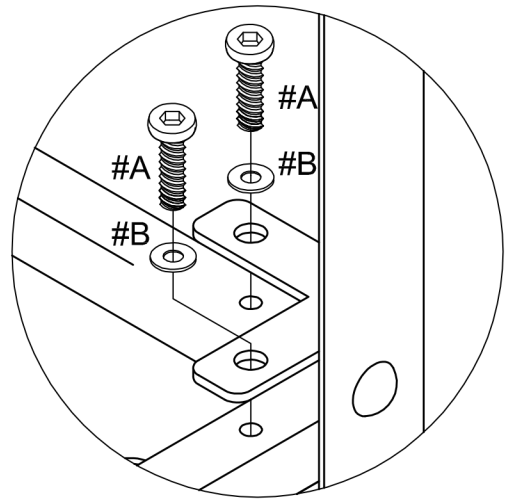
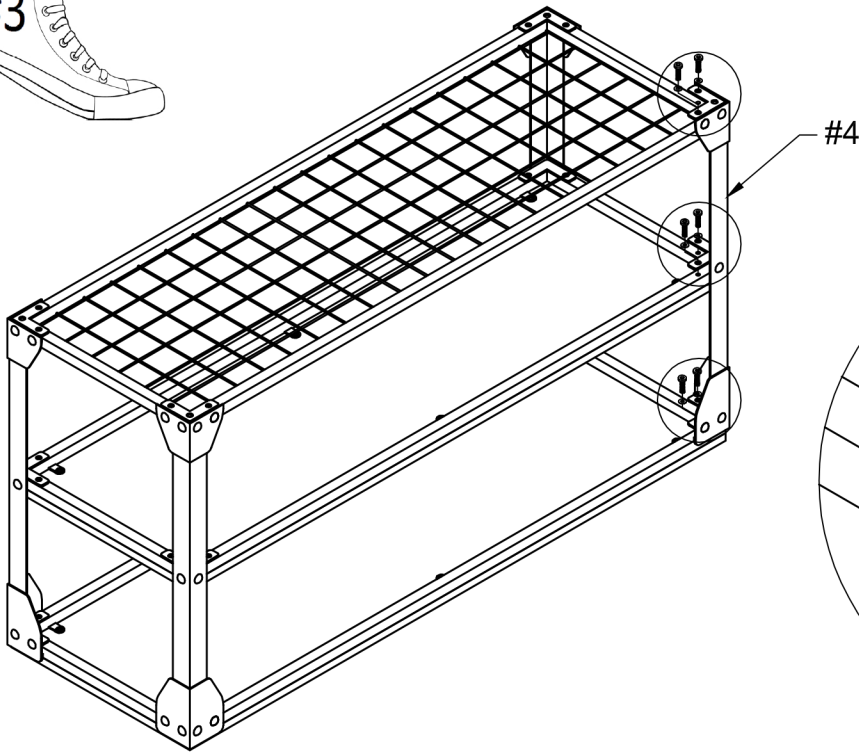


#A		18pcs
#B		18pcs
#D		

- I. Align the pre-drilled holes on legs (#4) to the panels.
- II. Prepare 18 bolt assemblies by inserting the flat washer (#B) onto the bolt (#A) and secure using the Allen wrench (#D).




- #A  6pcs
- #B  6pcs
- #D 

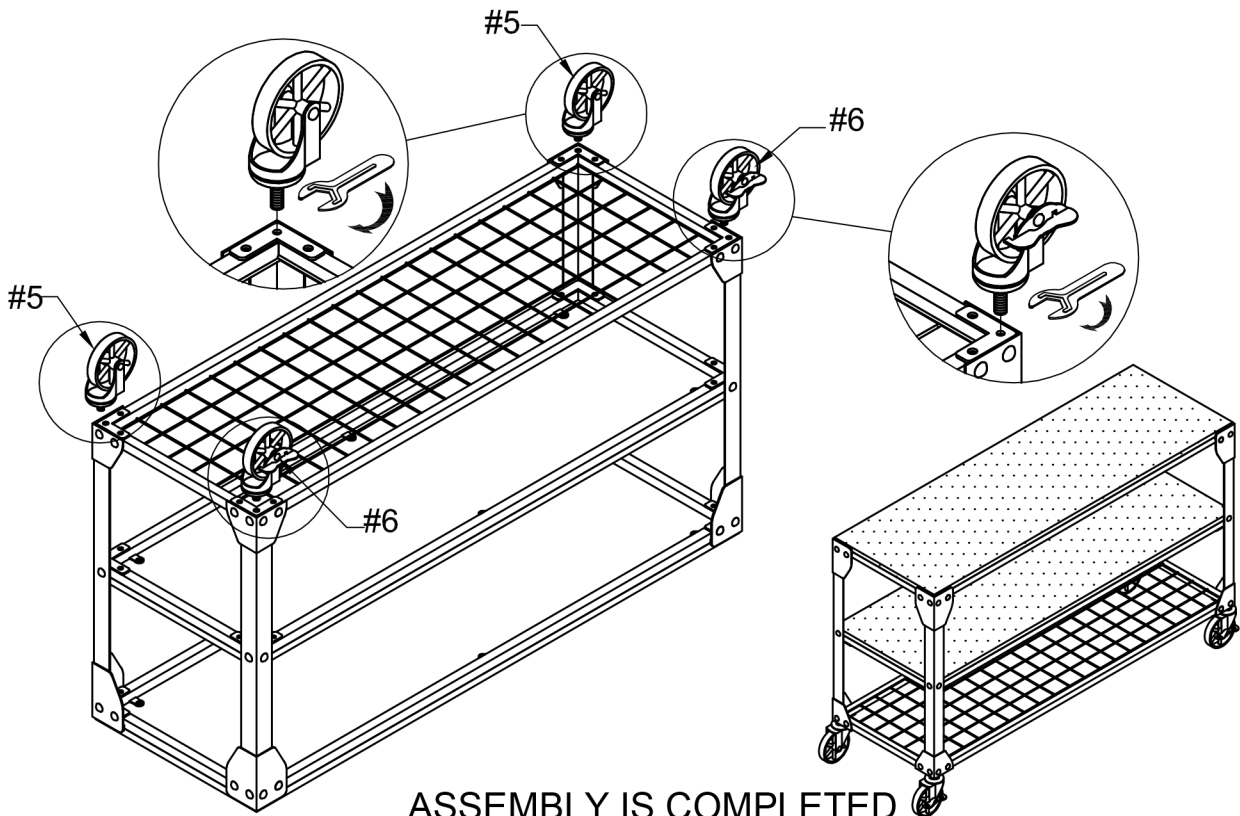


- I. Align the pre-drilled holes on the fourth leg (#4) to the panels.
- II. Prepare 6 bolt assemblies by inserting the flat washer (#B) onto the bolt (#A) and secure using the Allen wrench (#D).



- #C 

Insert the threaded end of 2 trundles (#5) and the threaded end of 2 trundles with locks (#6) into the bottom corners using the wrench (#C).



ASSEMBLY IS COMPLETED