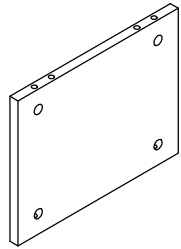




Ax1



Bx1



Cx2



Dx8



Ex8



Fx8



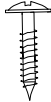
Gx8



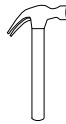
Hx4



Ix4



Jx4

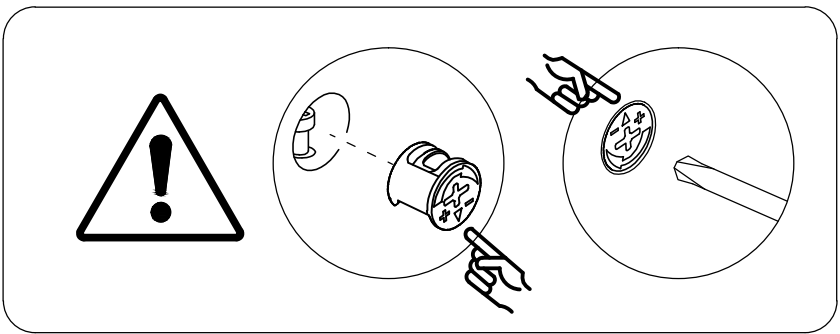
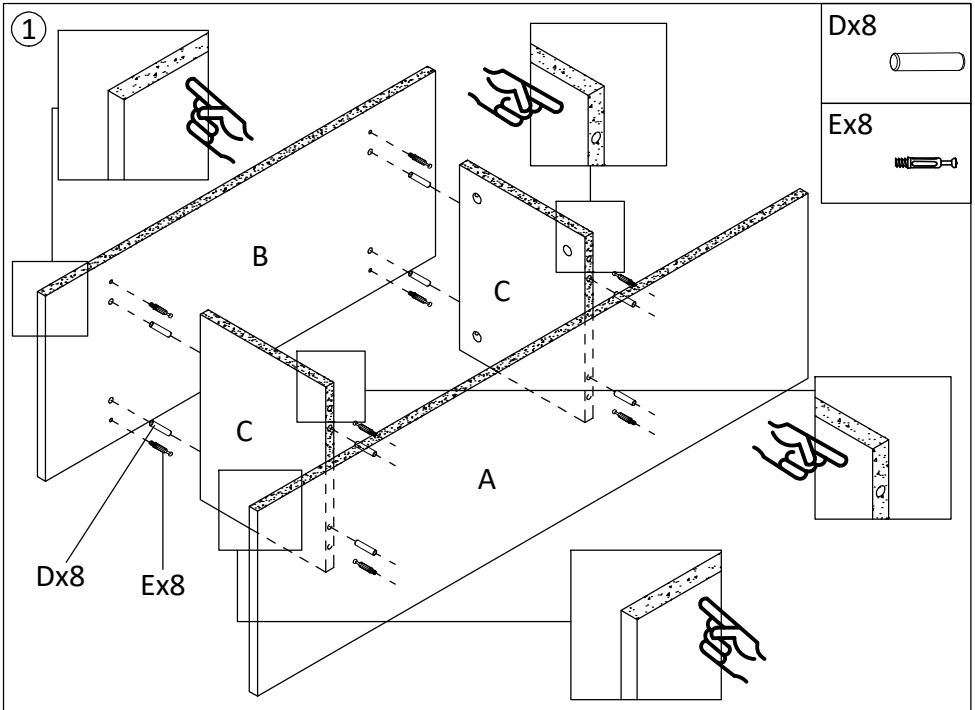


mm
inch

x2

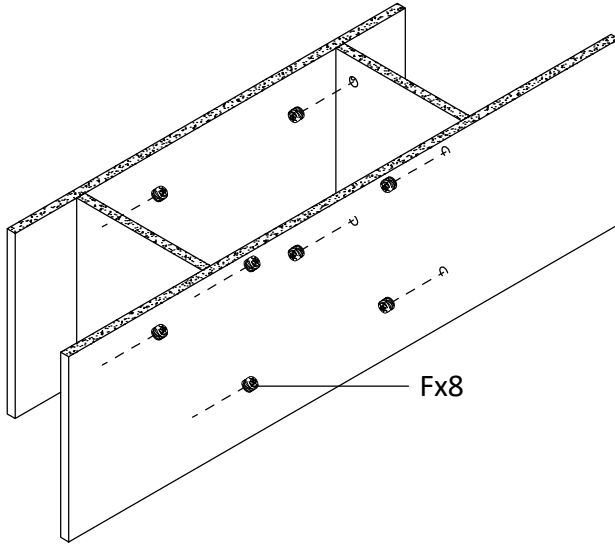


€ £



②

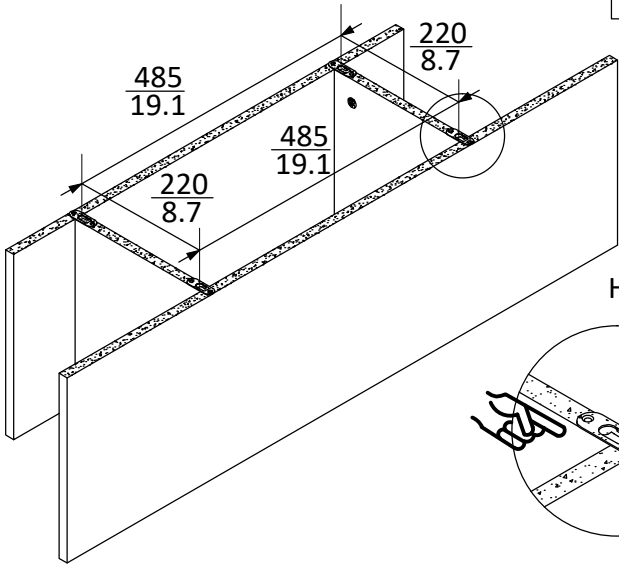
Fx8



Fx8

③

Hx4



Hx1

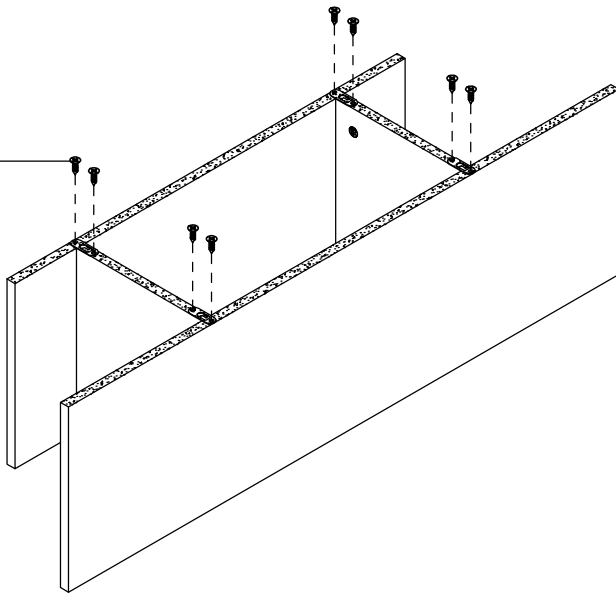
x4

4

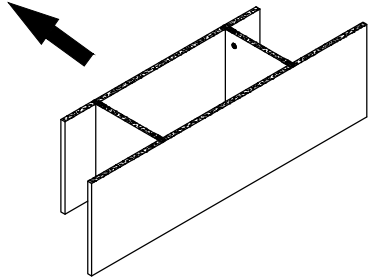
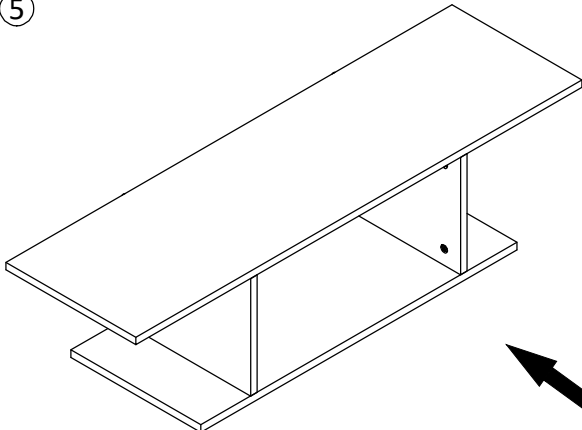
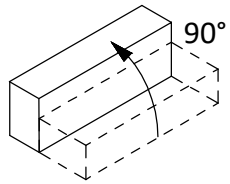
Gx8



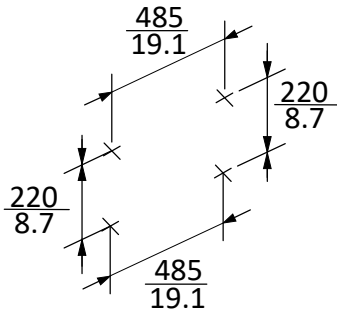
Gx8



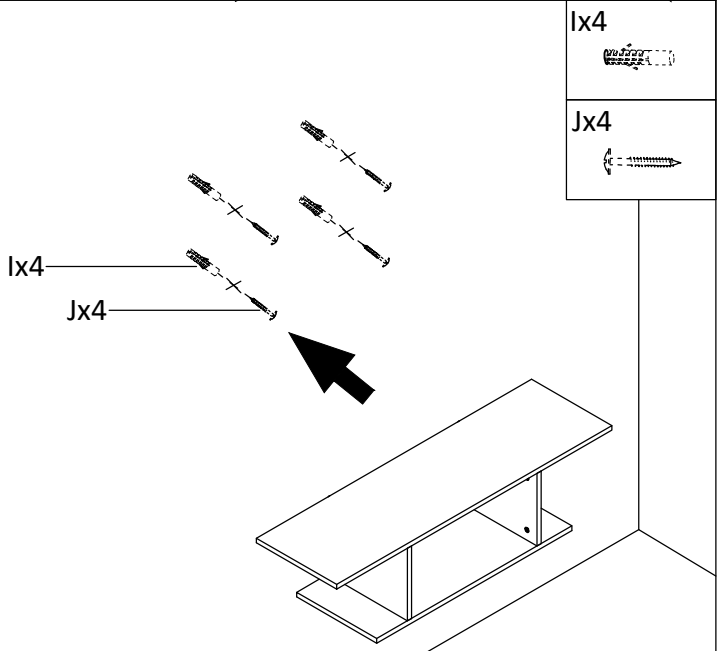
5



⑥



⑦



8

