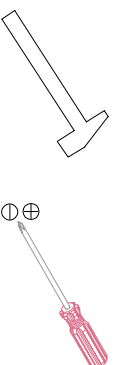
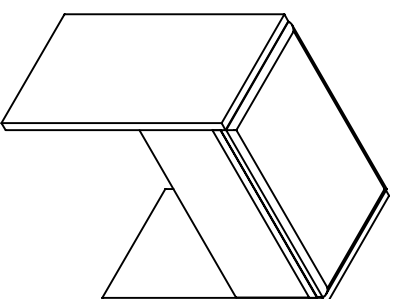
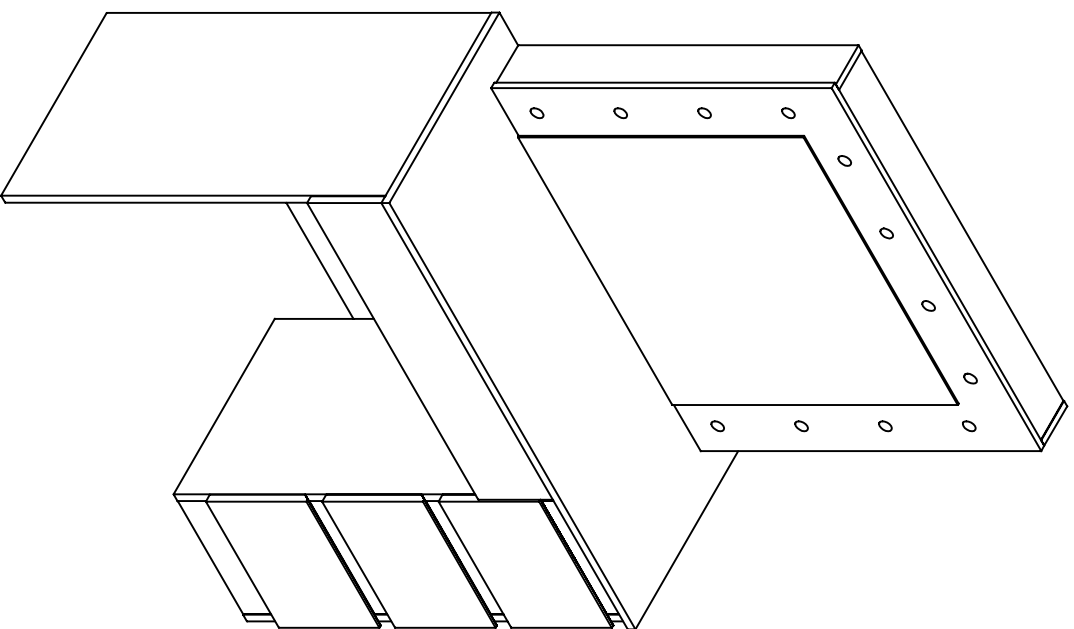
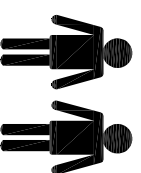


# Assembly Instruction

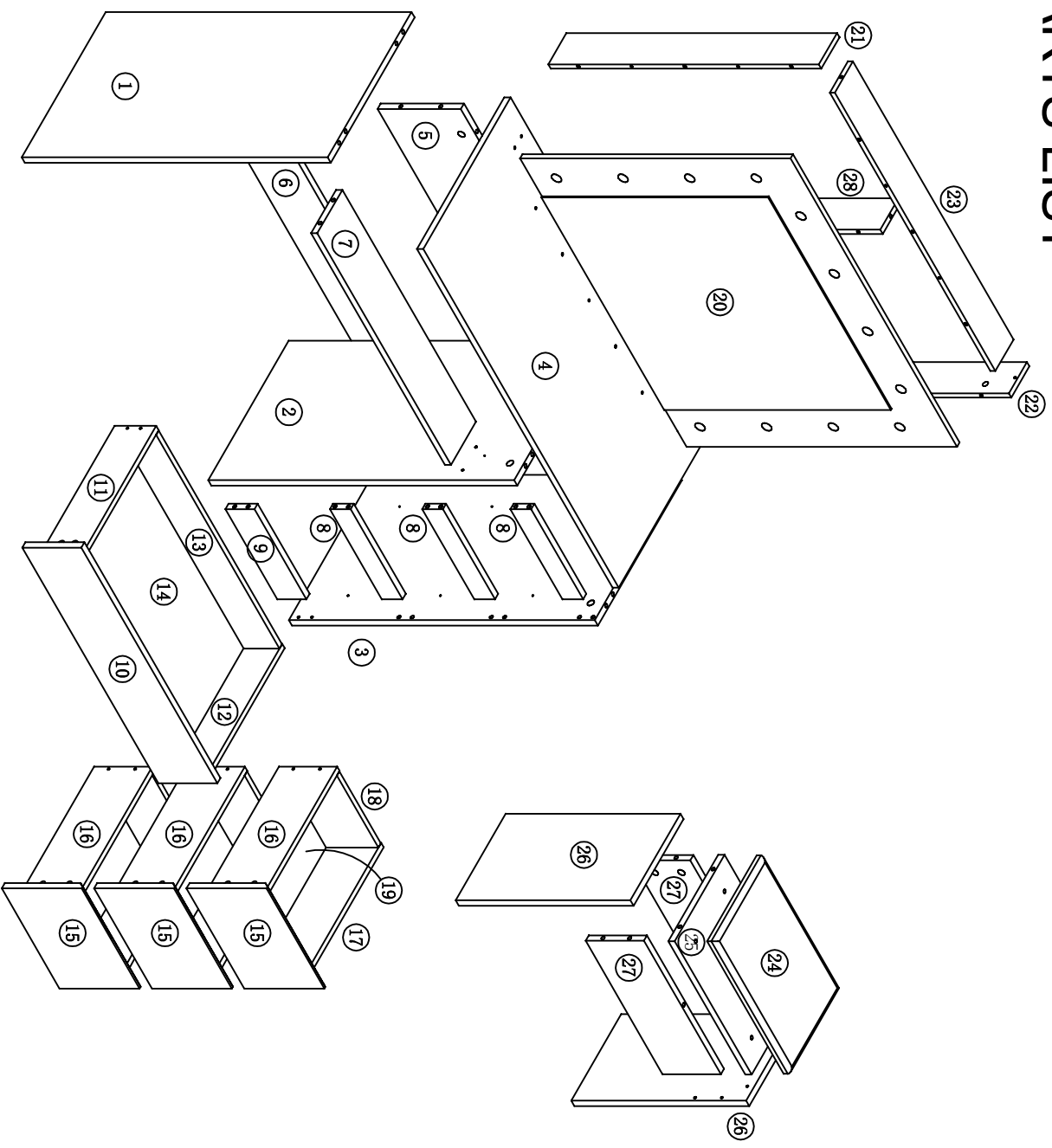


Hammer and Screwdriver are not included !!



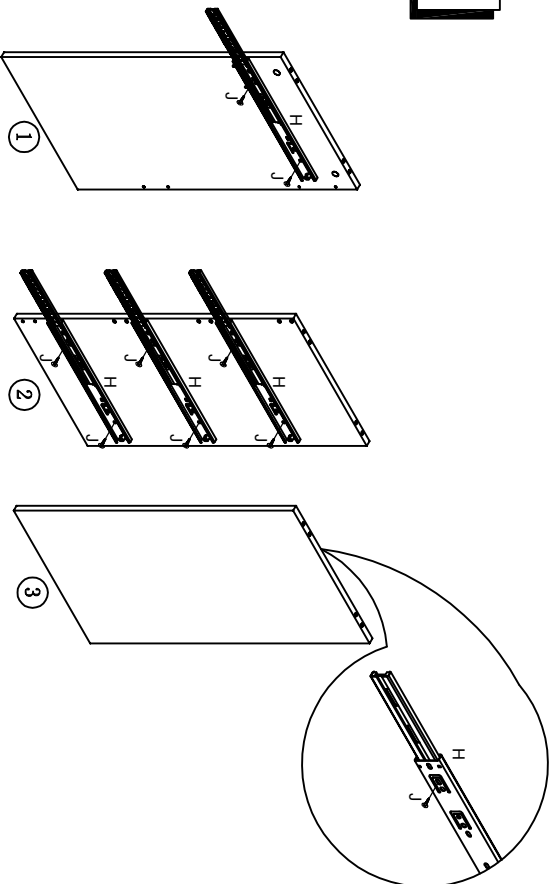
NO.	QTY.	LINEDRAWING
(A)	39	
(B)	39	
(C)	20	
(D)	2	
(E)	38	
(F)	38	
(G)	43	
(H)	4	
(I)	16	
(J)	16	
(K)	10	
(L)	10	
(M)	4	
(N)	4	
(O)	1	
(P)	24	

# PARTS LIST



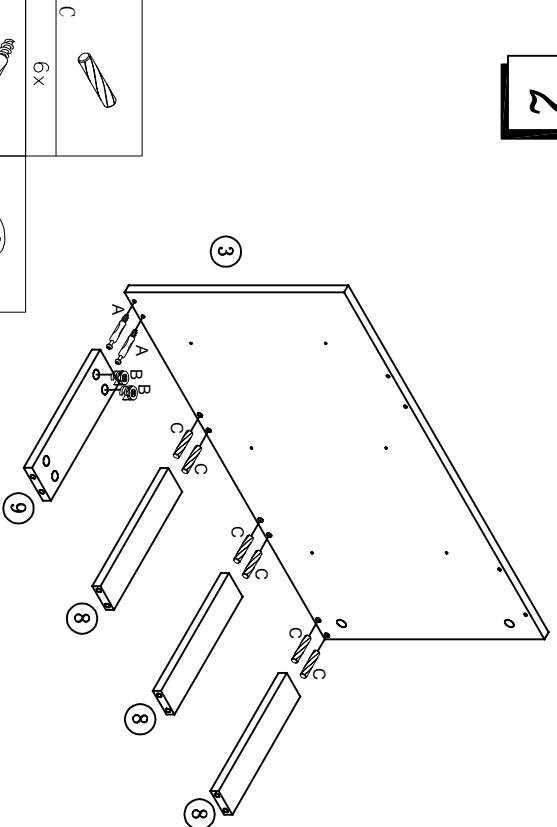
NO.	QTY.	NO.	QTY.
1	1	13	1
2	1	14	1
3	1	15	3
4	1	16	3
5	1	17	3
6	1	18	3
7	1	19	3
8	3	20	1
9	1	21	1
10	1	22	1
11	1	23	1
12	1	24	1
		25	1
		26	2
		27	2
		28	1

**1**



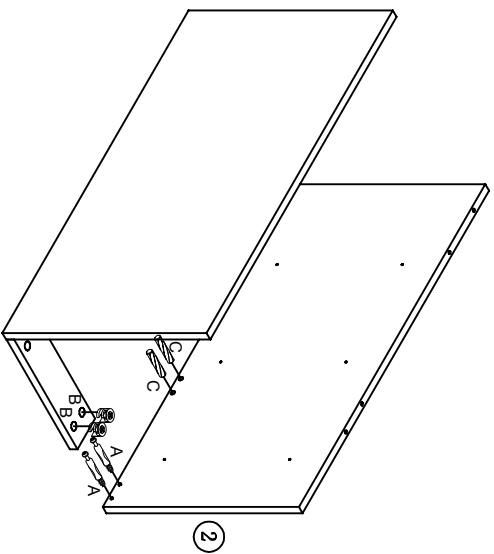
J 3.5x14	H
16x	4x

**2**



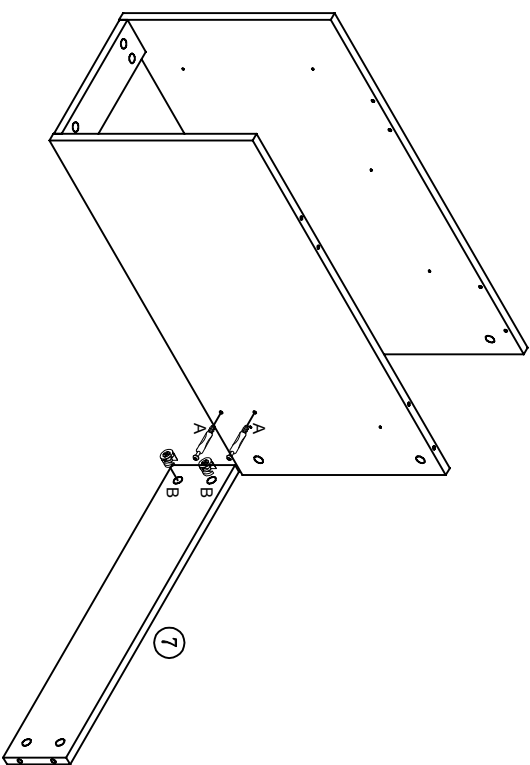
C	B
6x	2x
A	B
2x	2x

**3**



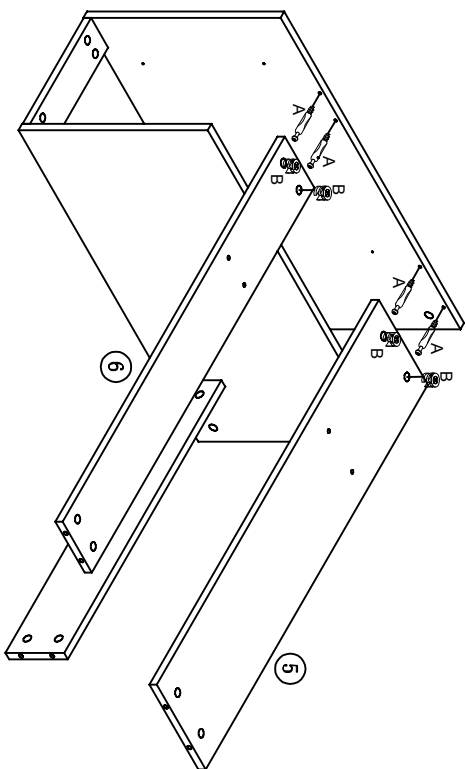
C	B
6x	2x
A	B
2x	2x

**4**



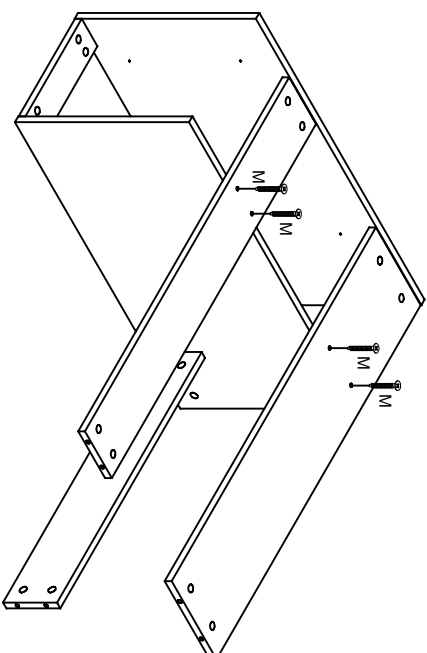
A	B
2x	2x

5



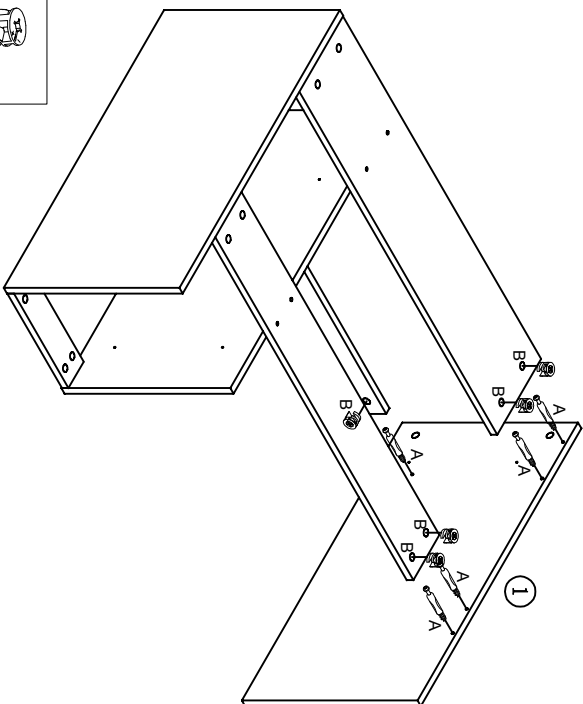
A	4x	B	4x
---	----	---	----

6



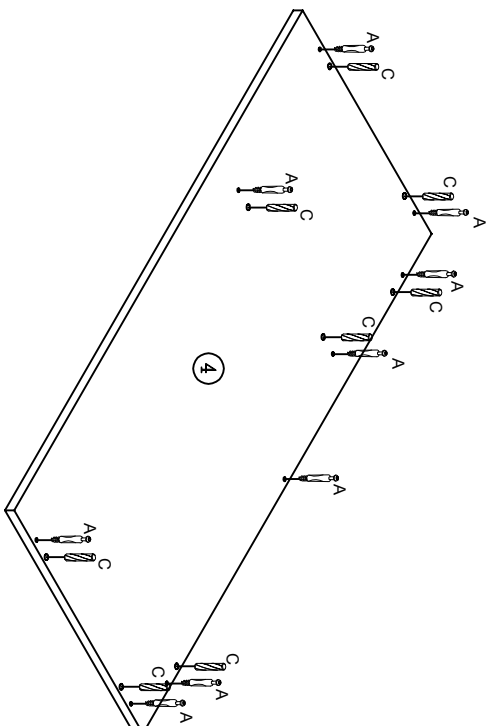
M	7x50
A	4x

7



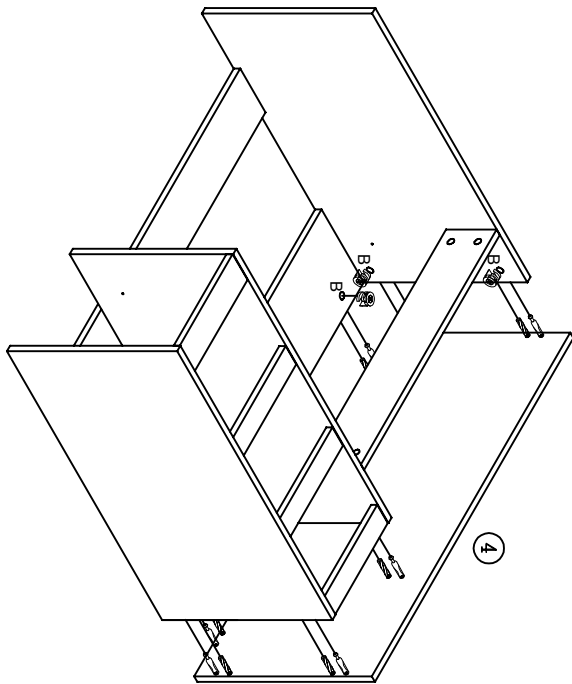
A	6x	B	6x
---	----	---	----

8



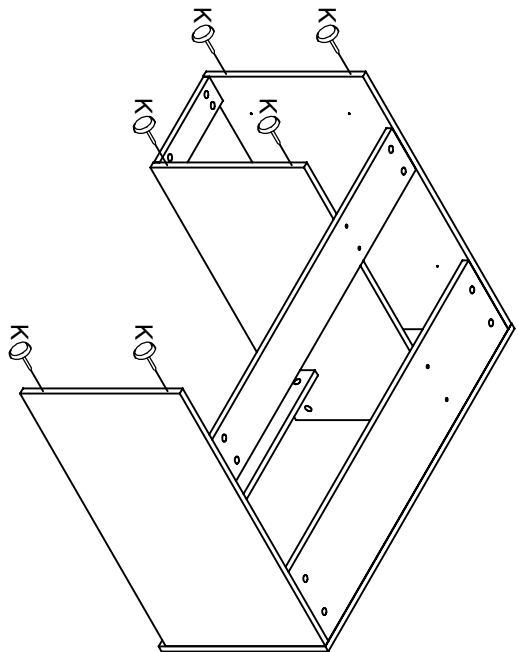
C	8x
A	9x

9



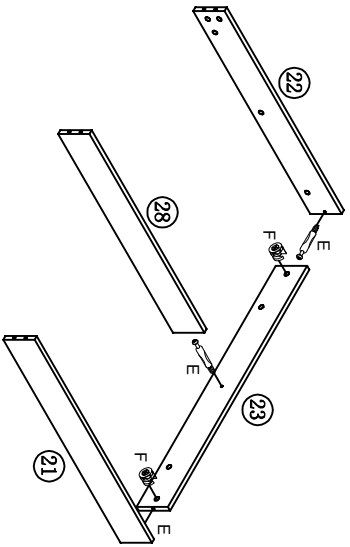
B  
9x

10



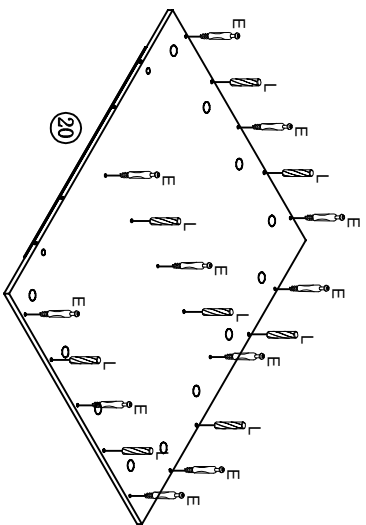
K  
6x

11



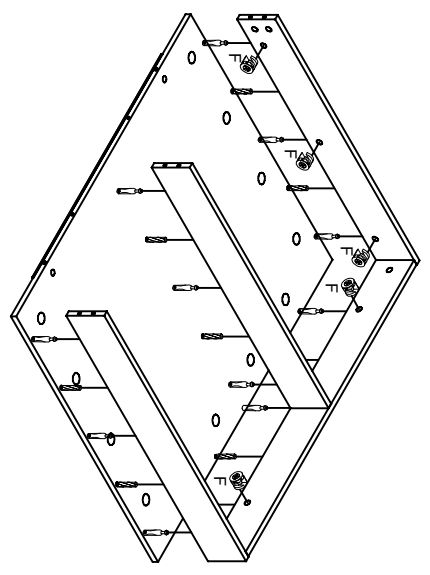
E 3x  
F 3x

12



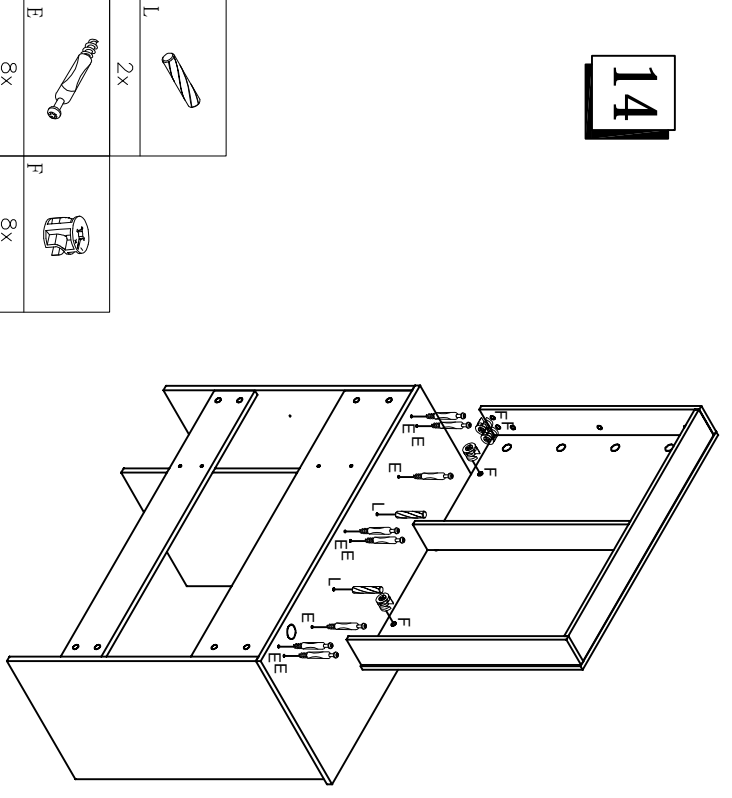
E 11x  
L 8x

**13**



- F 11x

**14**

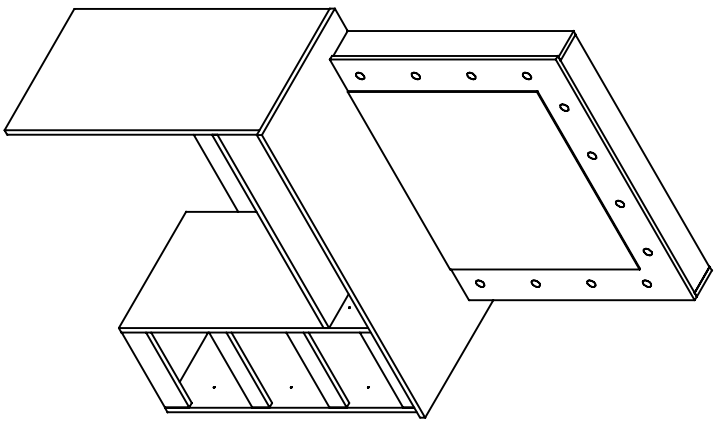


- L 2x
- E 8x
- F 8x

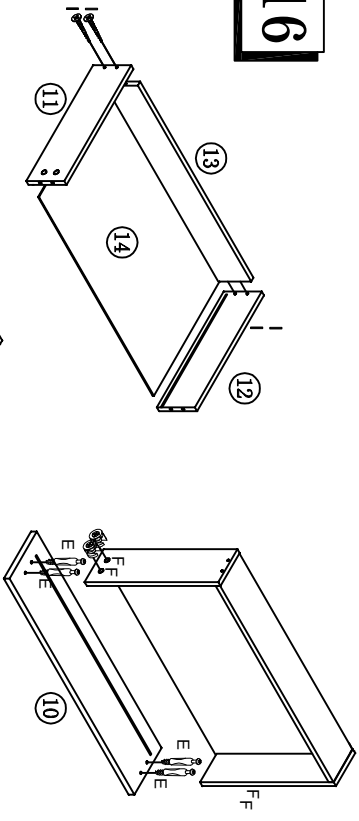
**15**



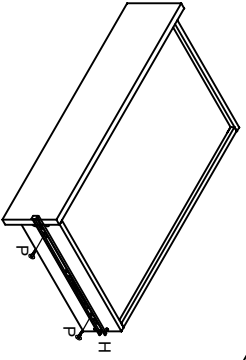
- 0 1x



**16**

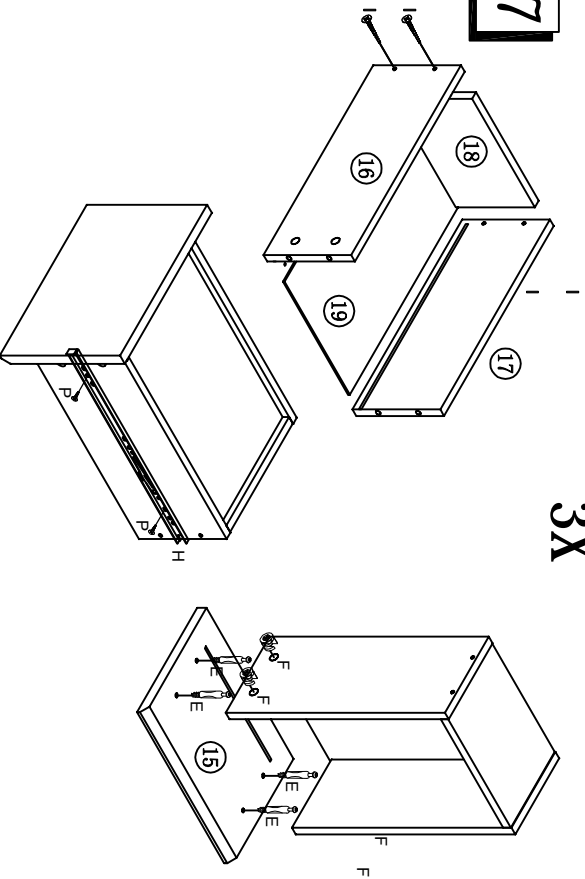


- E 4x
- F 4x
- H 1x
- P 3.5x12 4x
- I 3.5x30 4x



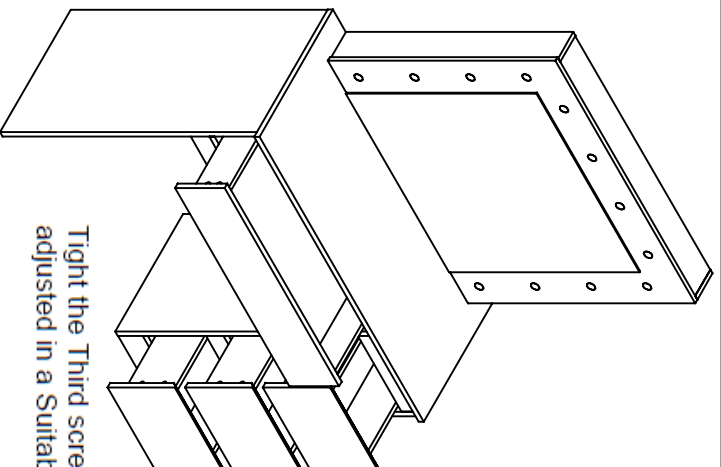
3X

17



E	F	H	P	I
12x	12x	3x	12x	12x

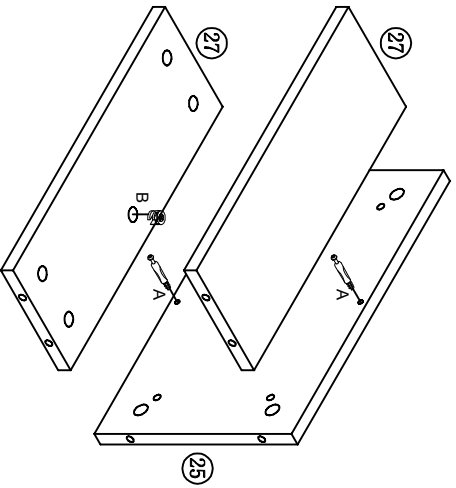
18



P
8x

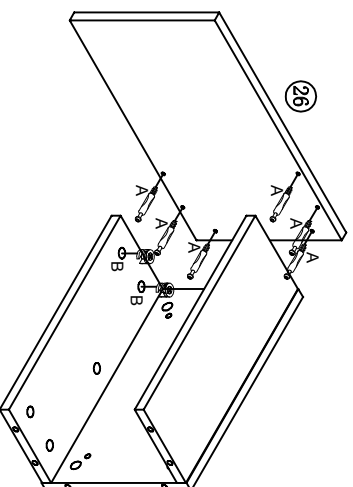
Tight the Third screw after drawer adjusted in a Suitable location.

19



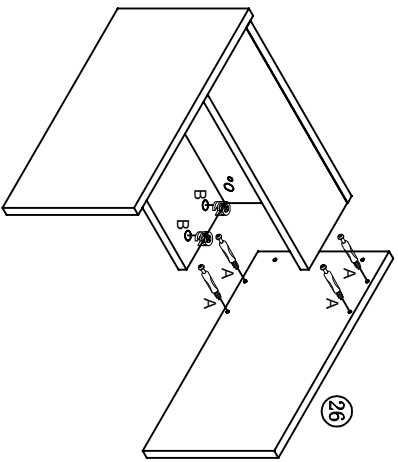
A	B
2x	2x

20



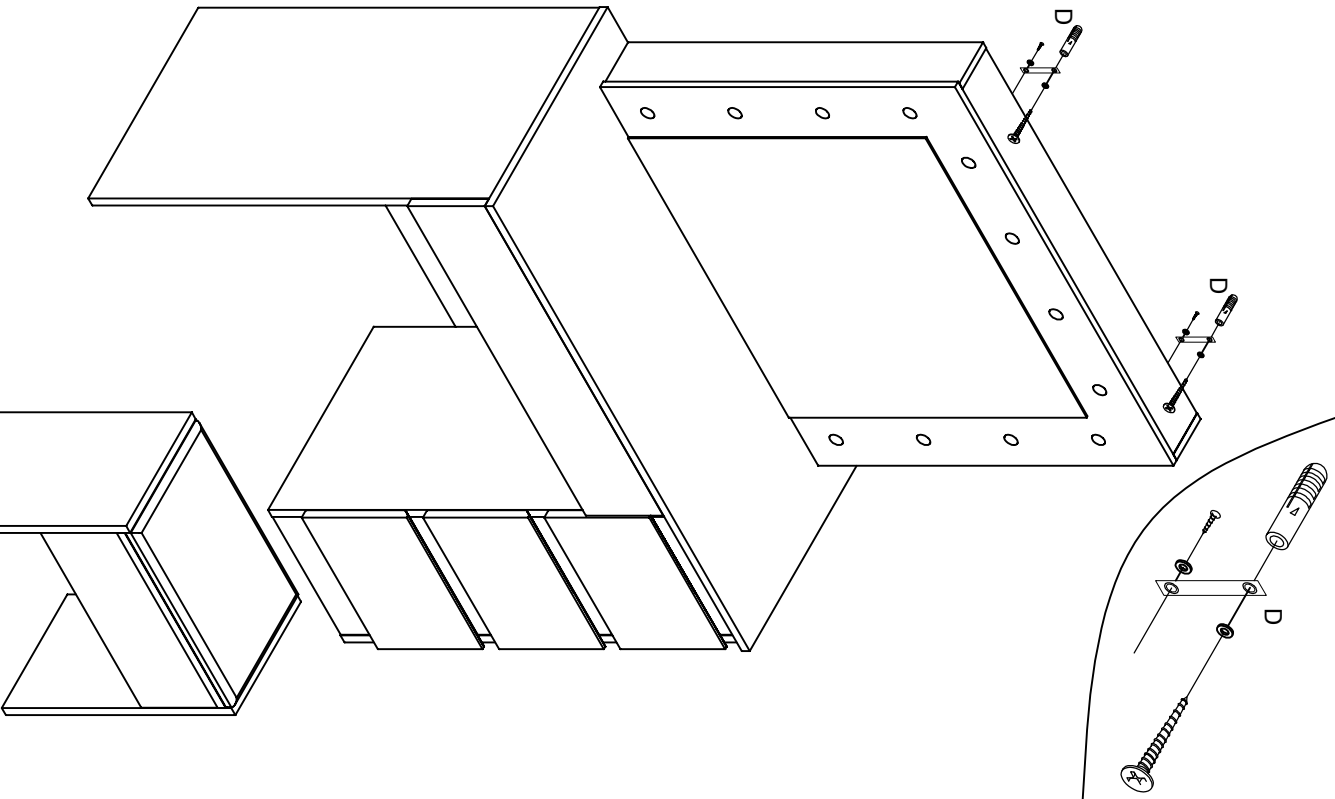
A	B
6x	6x

21



A	
6x	
B	
6x	

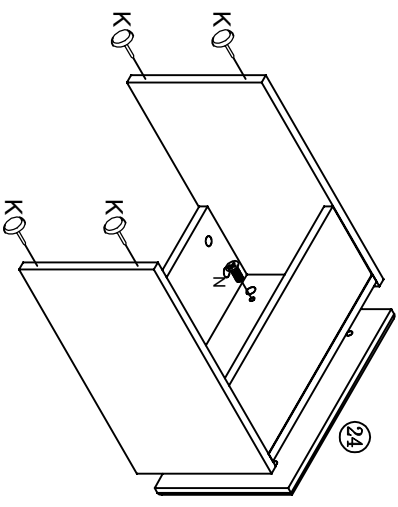
23



D	
2x	
G	
4.5x	

8 OF 8

22



K	
4x	
N	
4x	