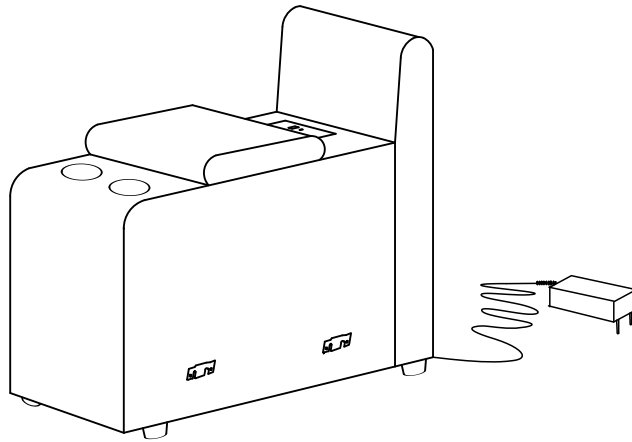
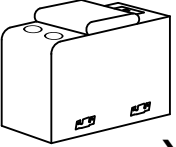
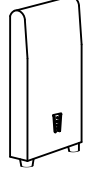

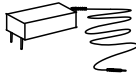


ASSEMBLY INSTRUCTION

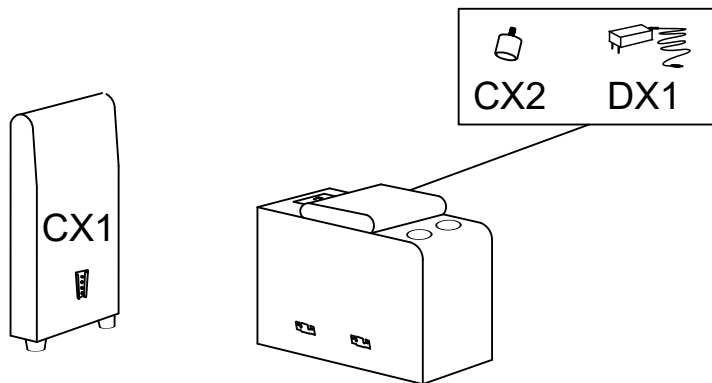
MODEL NO.:F10031-BI/F10032-BI/F10033-BI/F10034-BI



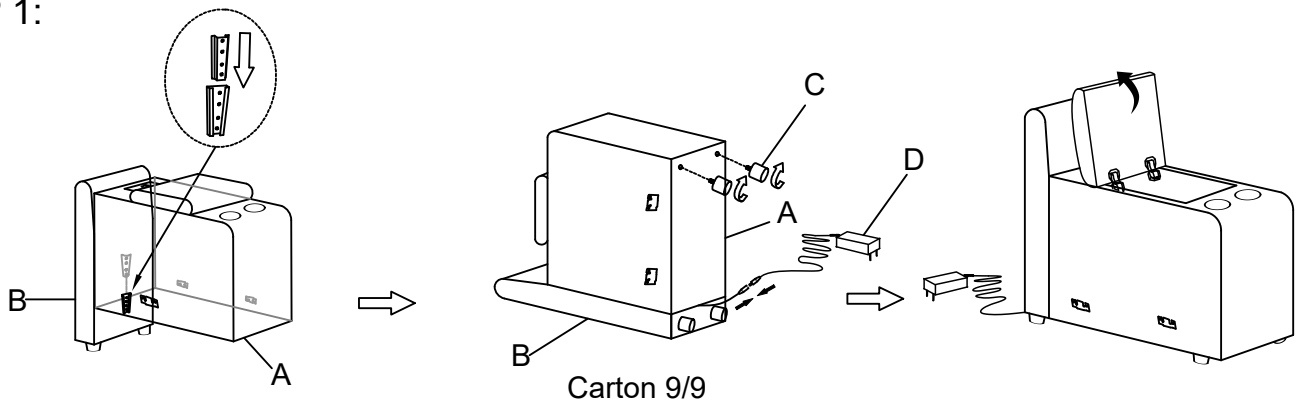
PARTS LIST

A  X1	B  X1	C  X2	D  X1
--	--	---	---

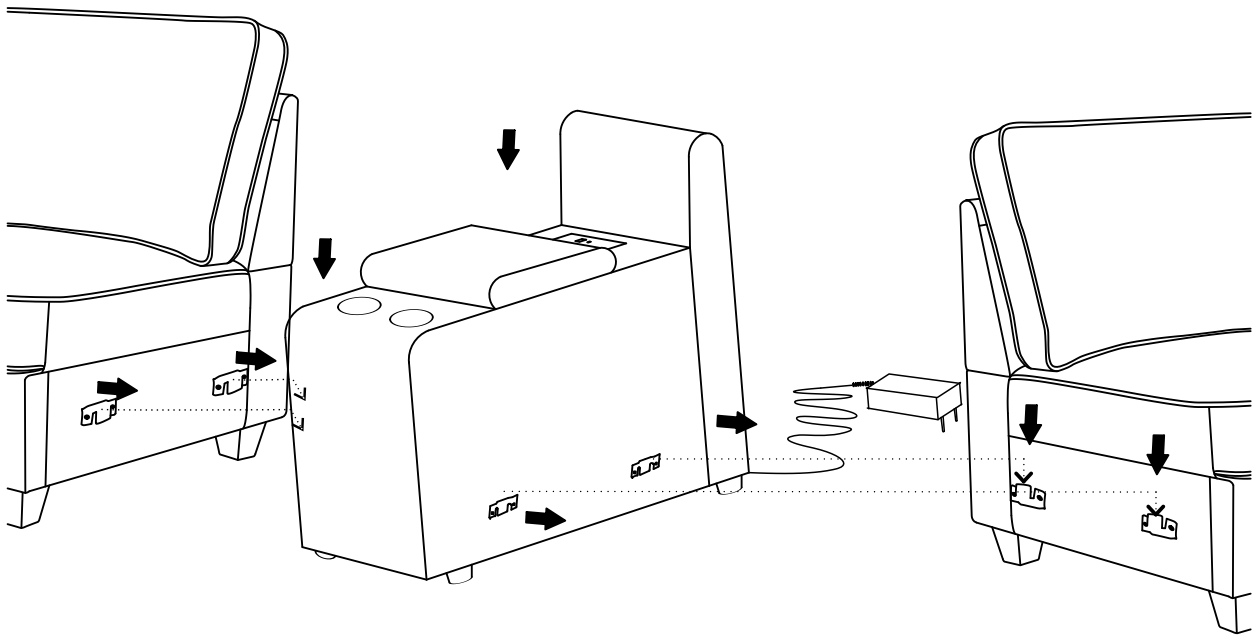
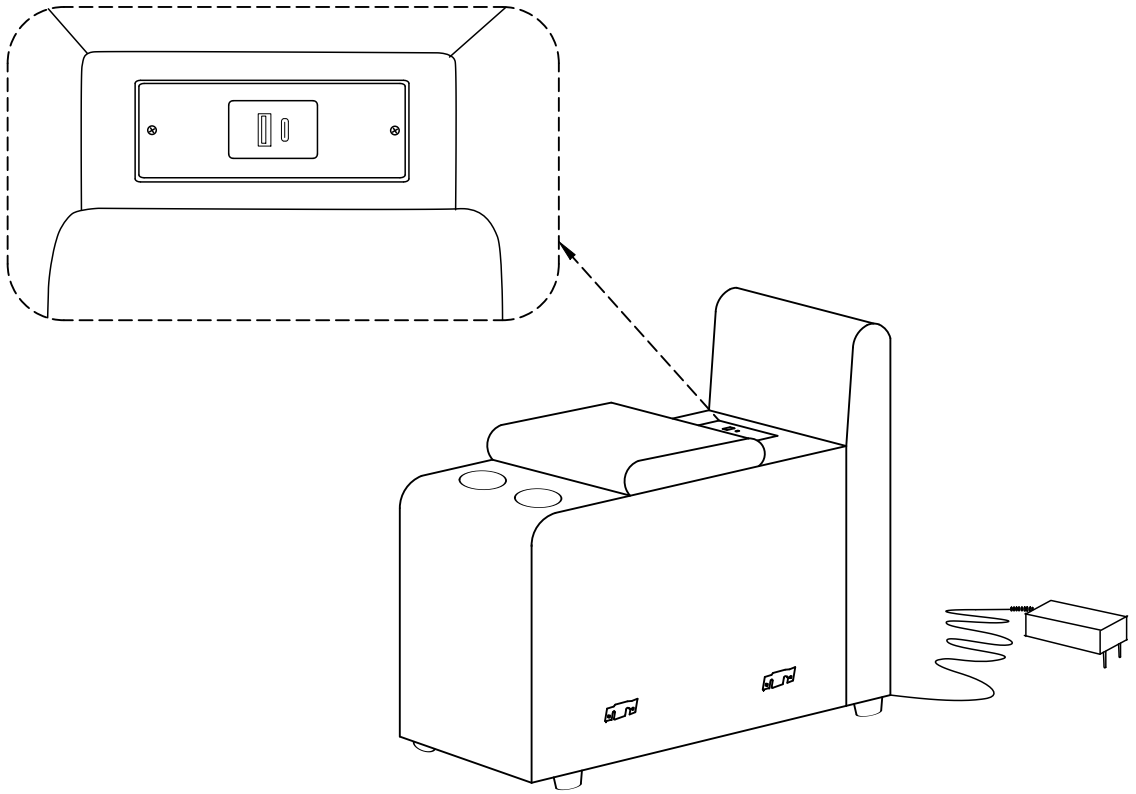
Packing list:



STEP 1:



STEP 2:



Toll-Free number: 1-833-273-2277