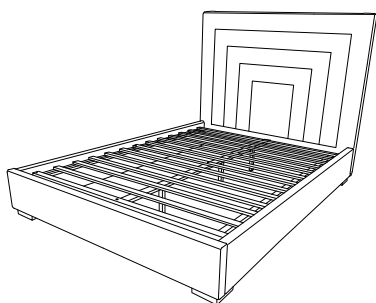


# ASSEMBLY INSTRUCTIONS

## FULL



**+ Do Not Use Power Tools**



**+ Suggested Adults**



### NOTE:

- 1 Read instructions cover to cover.
- 2 Save all packaging until assembly is completed.

### 1 IMPORTANT SAFETY INFORMATION

**Do not** assemble the product if any of the following parts arrived damaged:

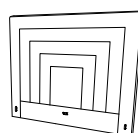
1. Headboard Panel
2. Footboard Panel
3. Side Rail
4. Gold Leg
5. Silver Leg
6. Slats(13pcs)
7. Slat Support
8. Support Leg

### 2 IMPORTANT ASSEMBLY INFORMATION

**Assembly Step** Ensure the side rail bracket is fully hooked onto bolt loosely threaded with both washers on the OUTSIDE of the bracket first, then proceed to fully tightening all 4 corners.

### + Parts Included

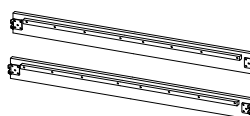
① Headboard Panel (1 pc)



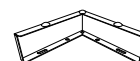
② Footboard Panel (1 pc)



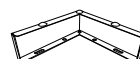
③ Side Rail (2 pcs)



④ Gold Leg (4 pcs)



⑤ Silver Leg (4 pcs)



⑥ Slats(13pcs) (1 pc)



⑦ Slat Support (1 pc)



⑧ Support Leg (3 pcs)



### + Hardware Included

A. Allen Key M4 (1 pc)



B. Allen Key M5 (1 pc)



C. JCBB Bolt M8 x 16mm (8 pcs)



D. JCBC Bolt M6 x 15mm (16 pcs)



E. JCBC Bolt M6 x 35mm (6 pcs)



F. CBS Screw M4 x 16mm (4 pcs)



G. CBS Screw M4 x 32mm (6 pcs)



# ASSEMBLY INSTRUCTIONS

## FULL

