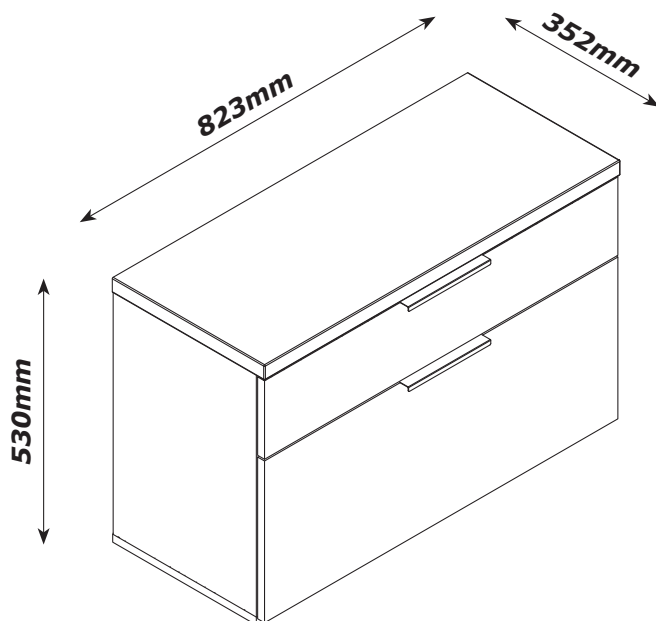


BS3504K64904



QF5438

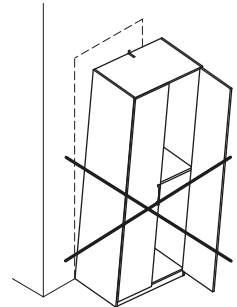
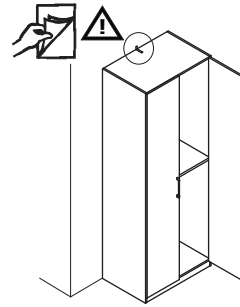
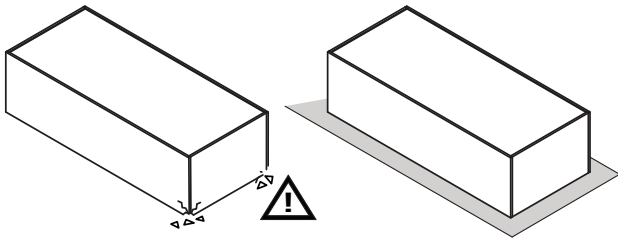
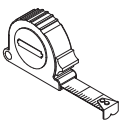
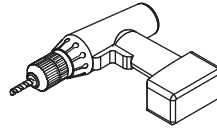
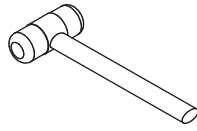
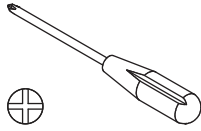


MADE IN ITALY

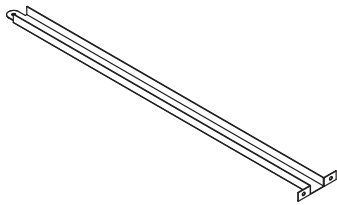
Produced by COMPOSAD srl, Via Lombardia 29, 46019 Viadana (MN) ITALY



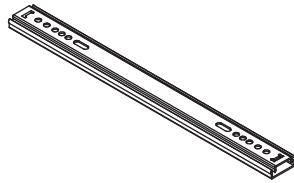
1h



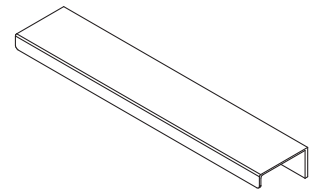
BU4592



W404
x1

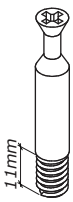


A47
x2

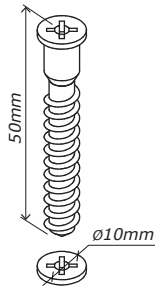


M94
x2

BU4554



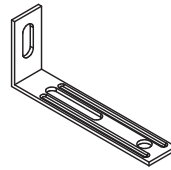
T28
x6



V45
x4



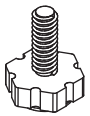
H325
x8



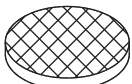
H185
x2



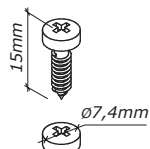
T94
x4



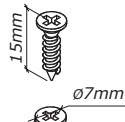
P39
x4



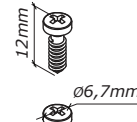
H139
x4



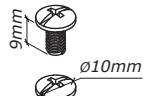
V81
x8



V5
x26



V98
x3



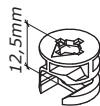
V38
x2



H129
x4



H113
x4



T7
x4



T78
x2

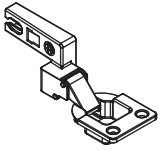


H54
x16

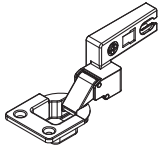


H2
x12

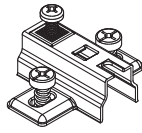
BU2666



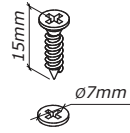
C67
x1



C68
x1

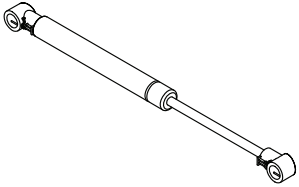


B31
x2



V5
x4

BU3669



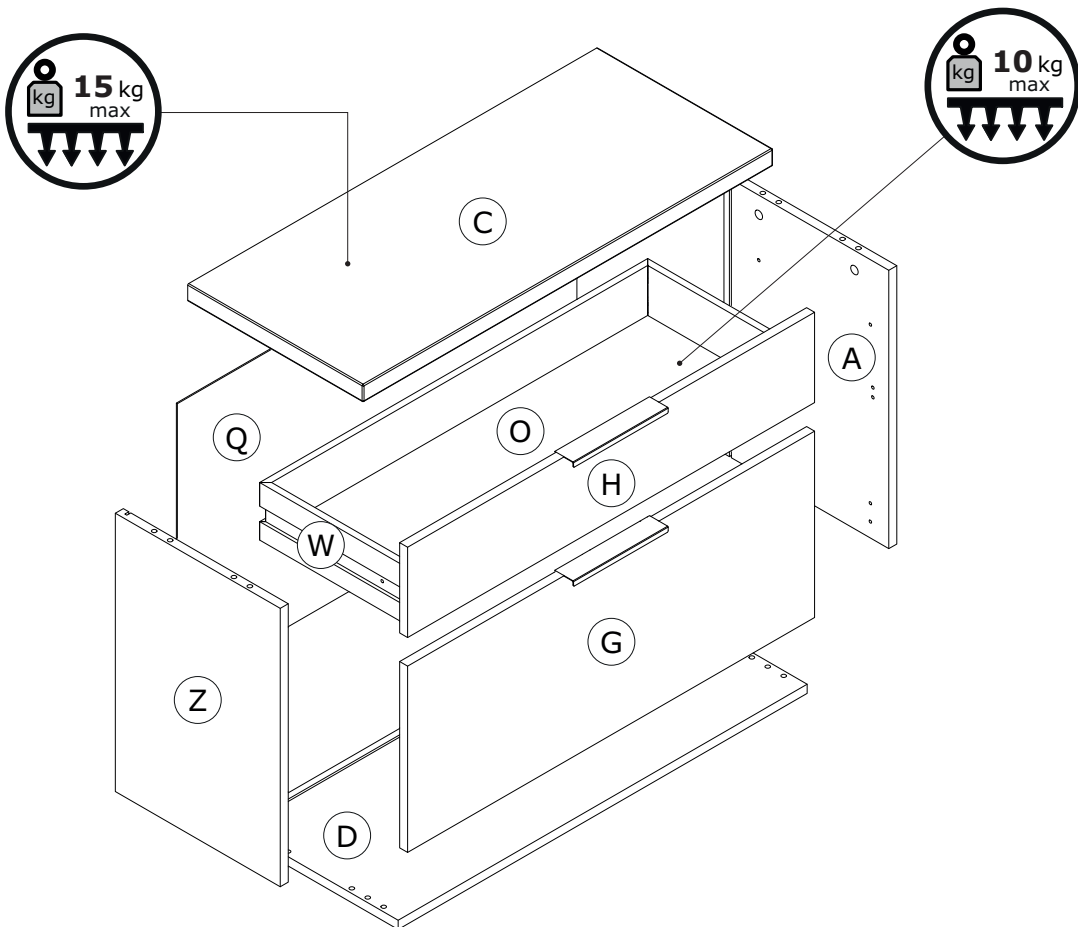
H279
x2

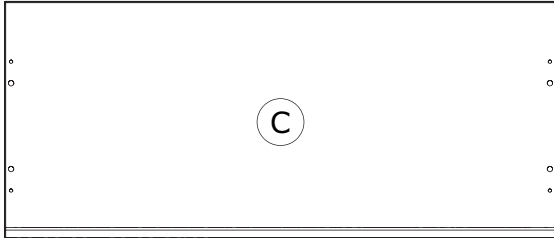


H230
x2

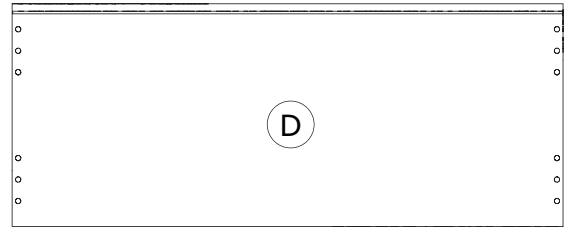


H231
x2

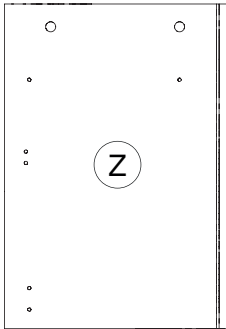




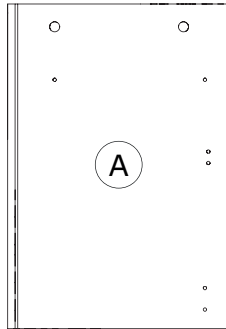
CA3717
823x352x30mm



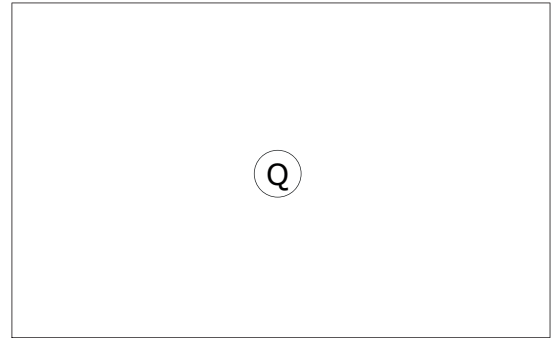
BA2267
821x332x16mm



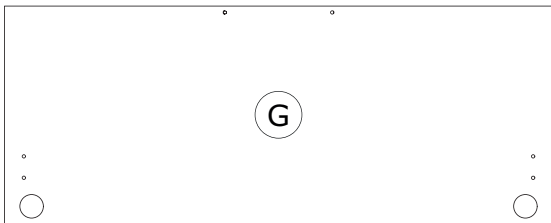
FI8957
484x331x16mm



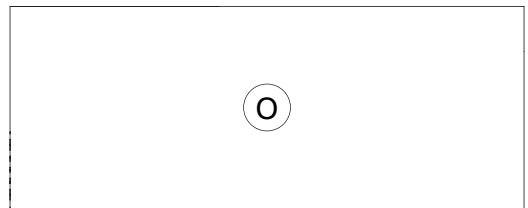
FI8955
484x331x16mm



SH3501
802x499x2mm



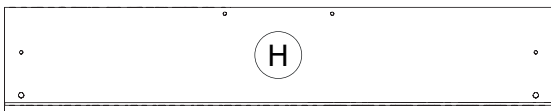
RI0440
817x324x16mm



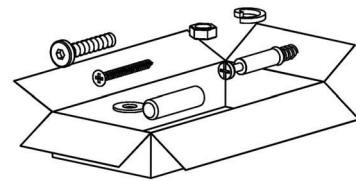
SH3502
766x301x2mm



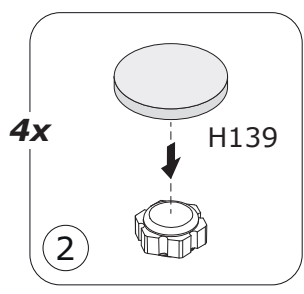
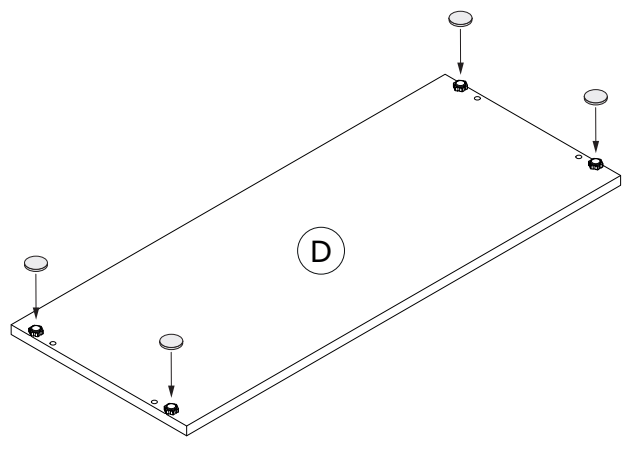
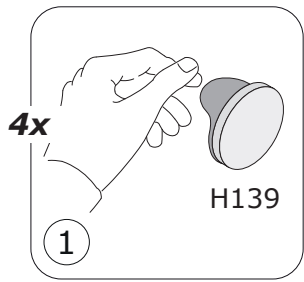
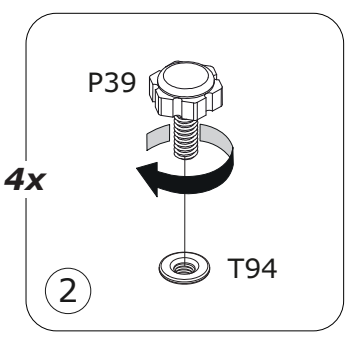
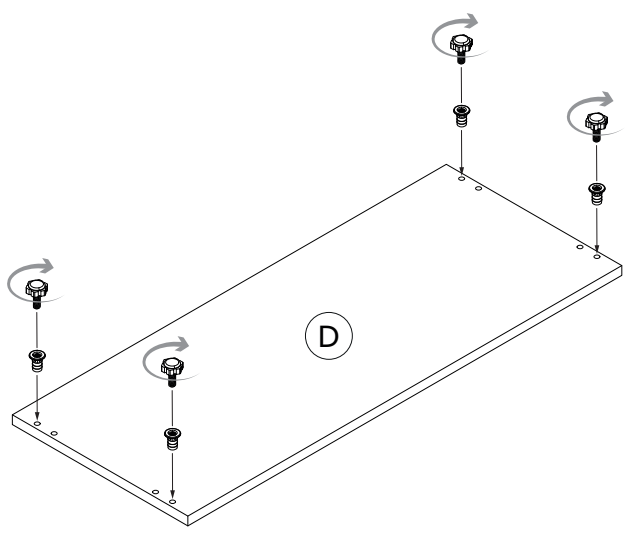
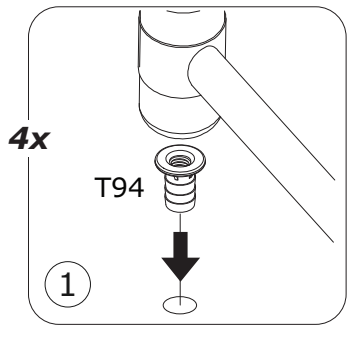
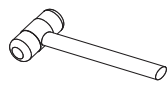
OF0613
300x779x300mm H.100mm



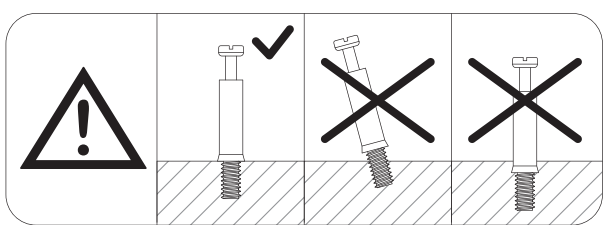
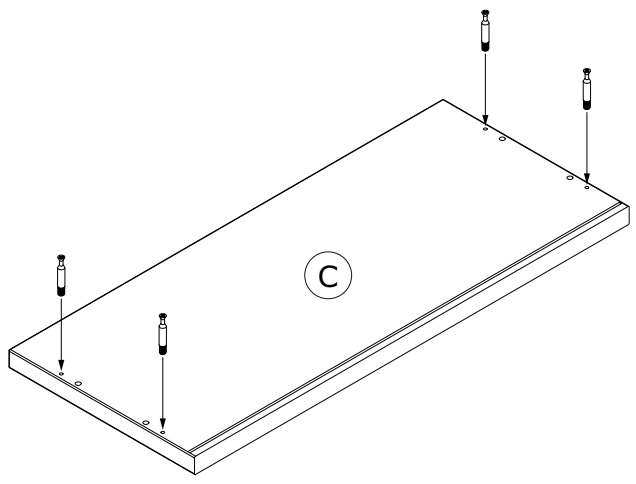
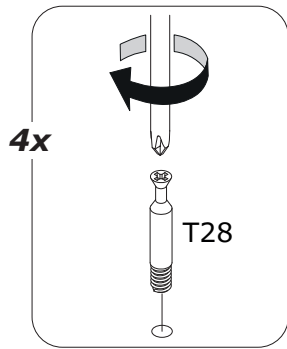
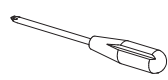
CS3738
817x157x16mm



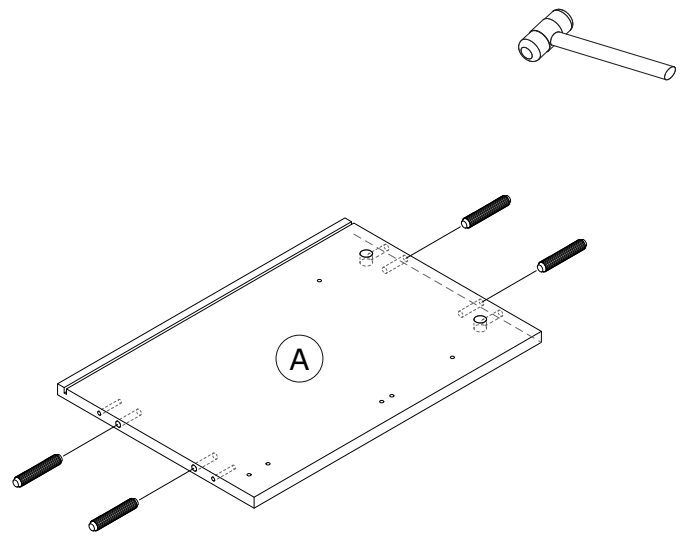
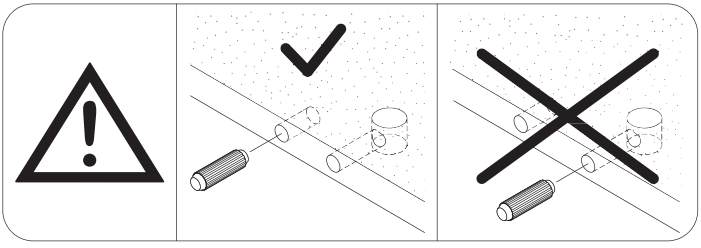
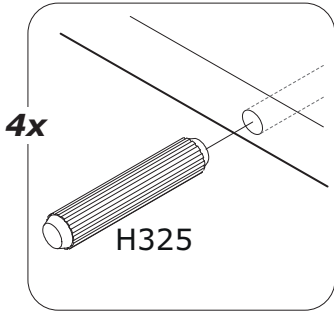
1



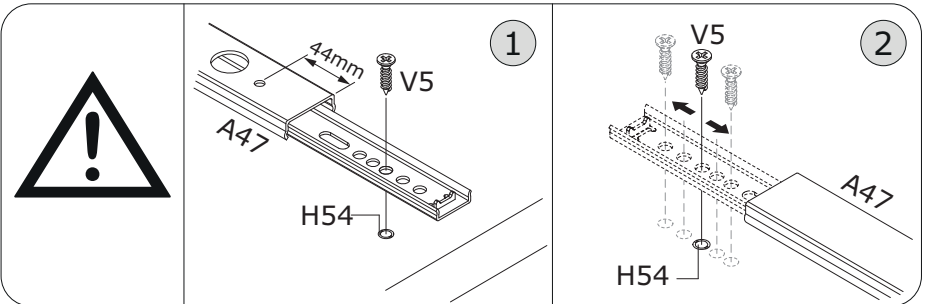
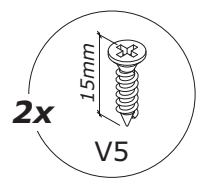
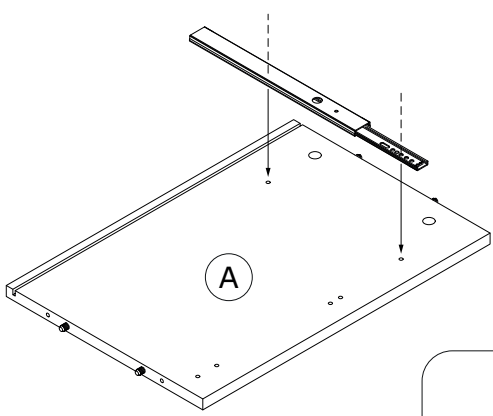
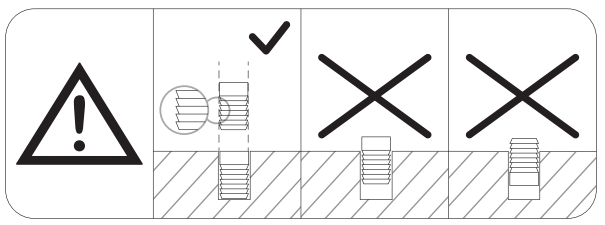
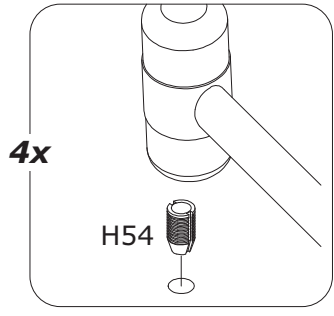
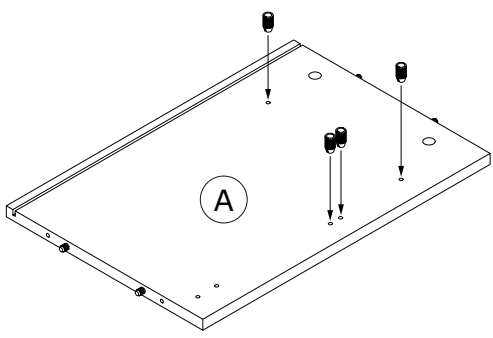
2



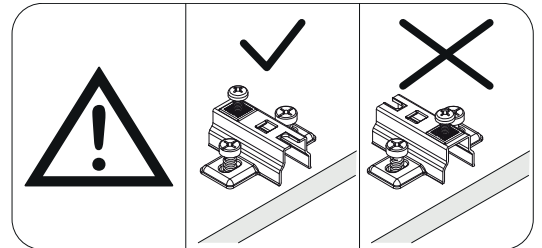
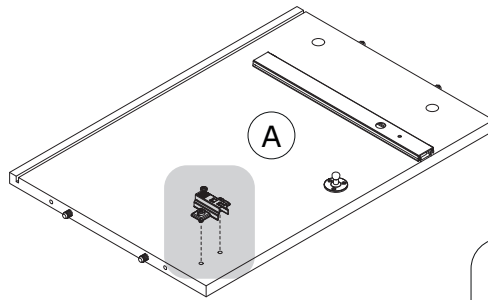
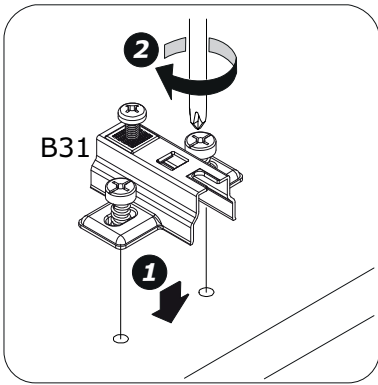
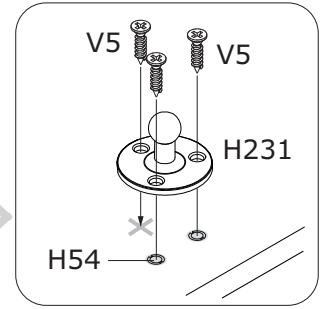
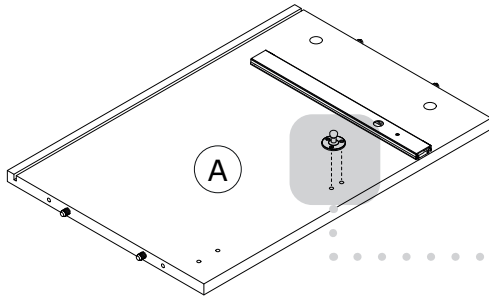
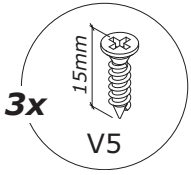
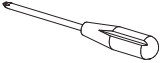
3



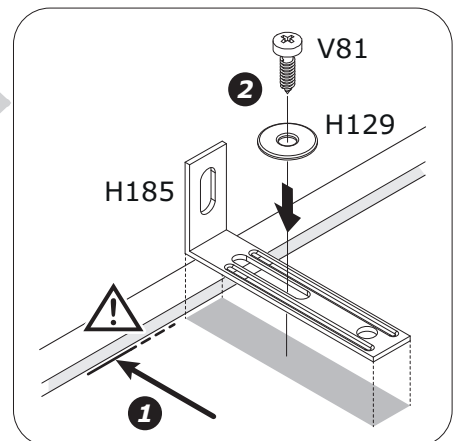
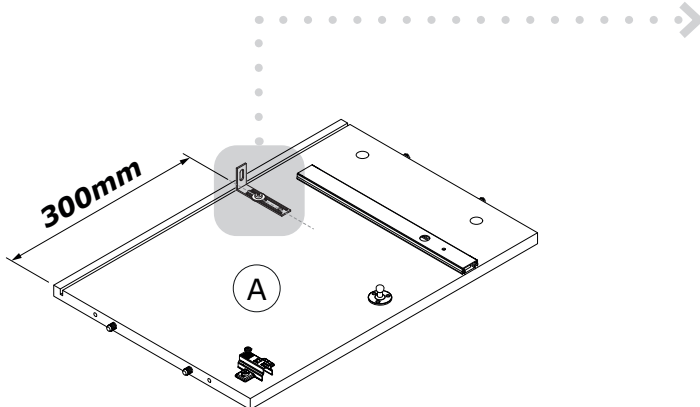
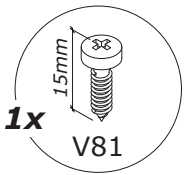
4



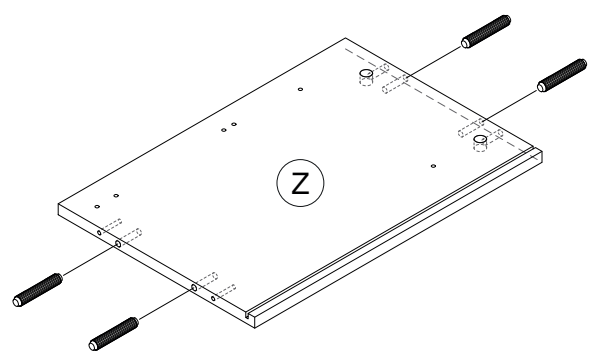
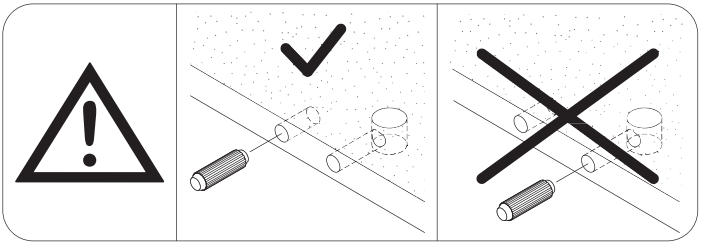
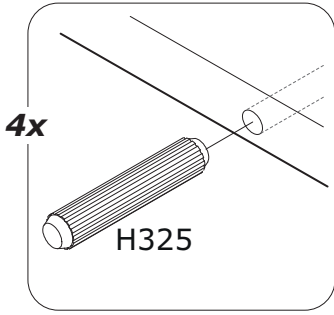
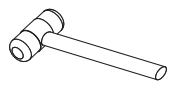
5



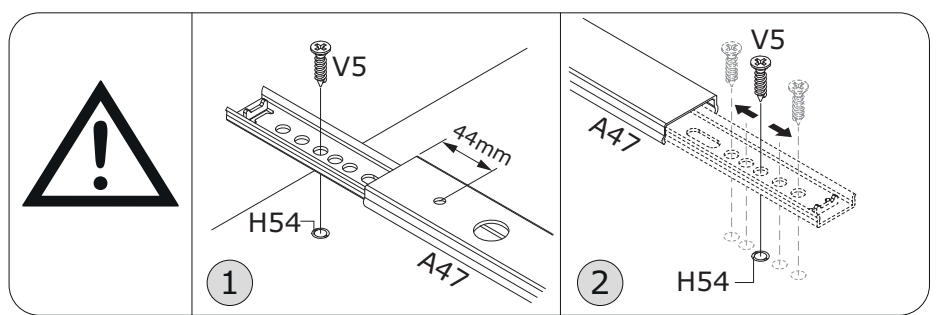
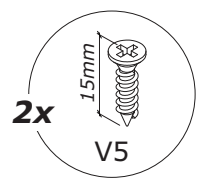
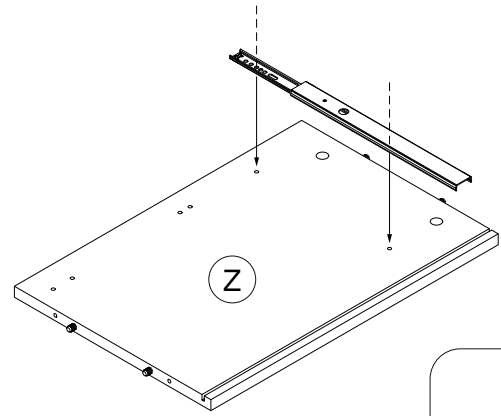
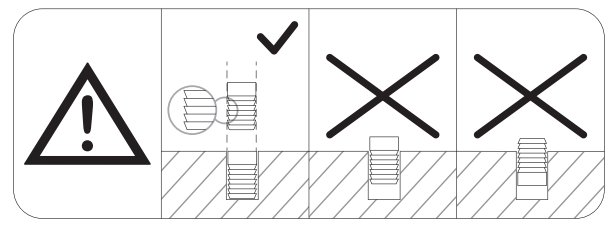
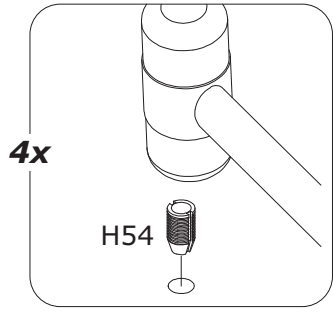
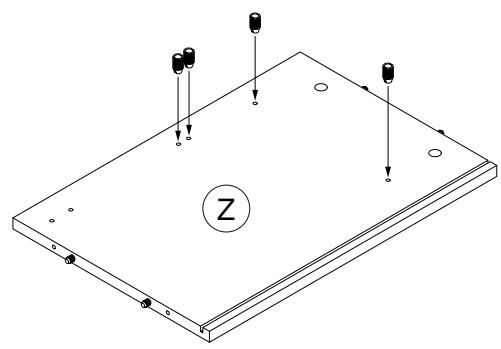
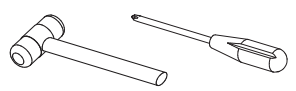
6



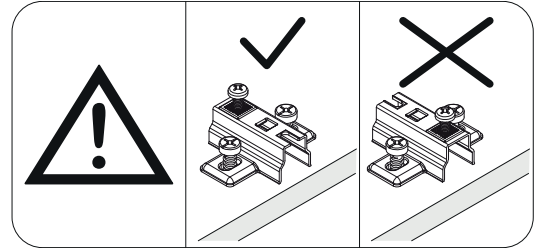
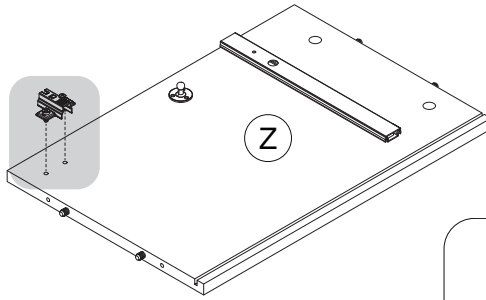
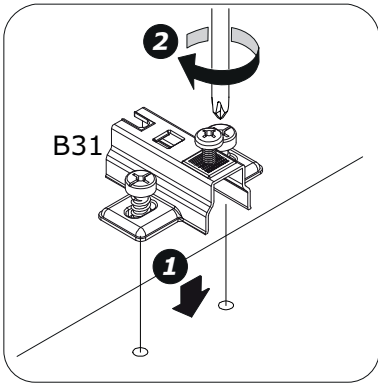
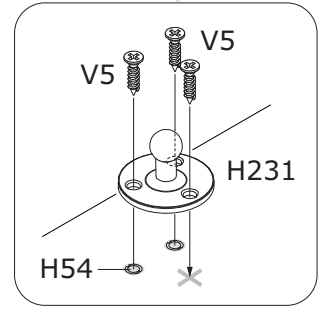
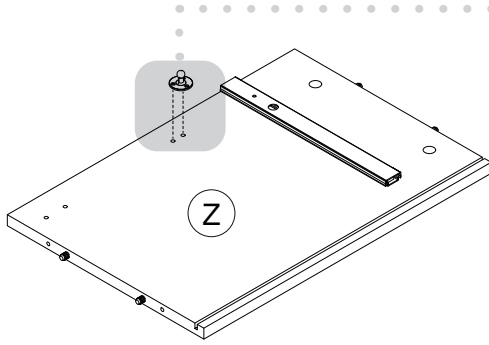
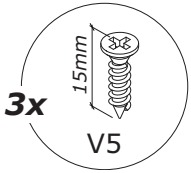
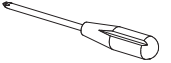
7



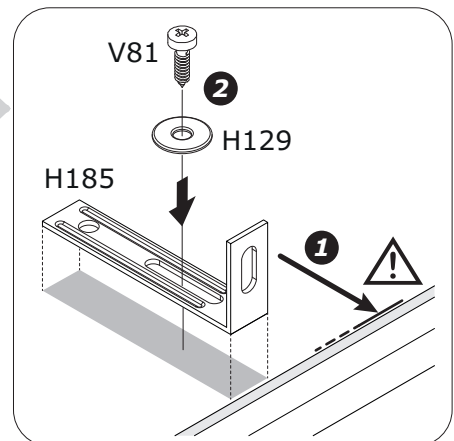
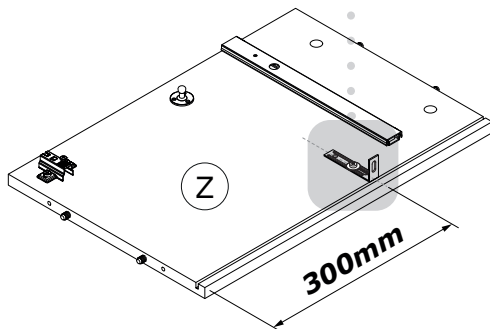
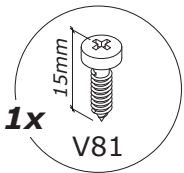
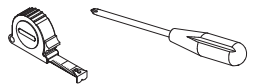
8



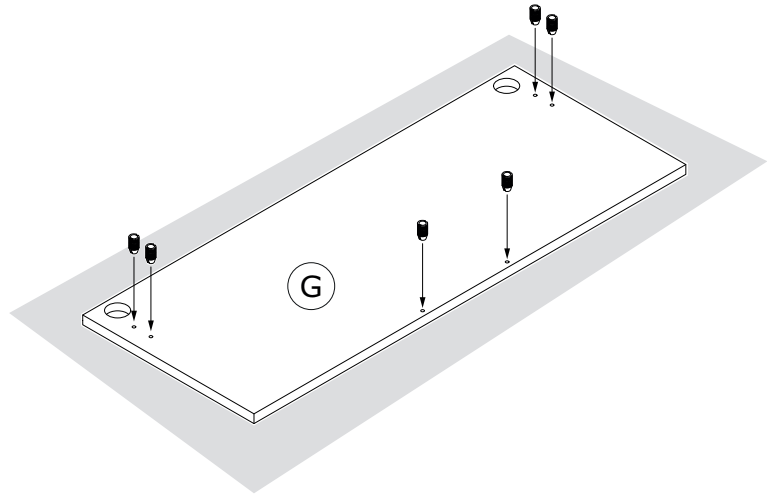
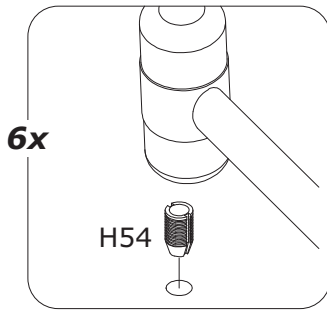
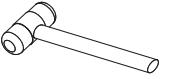
9



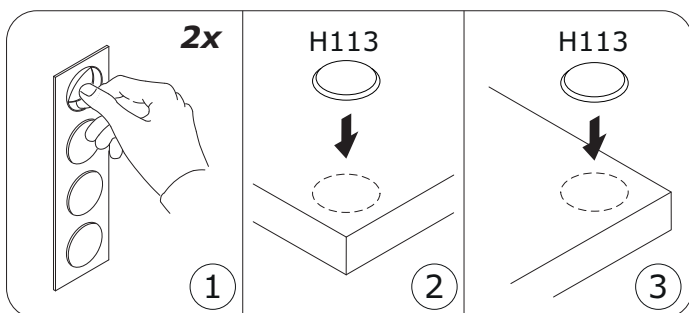
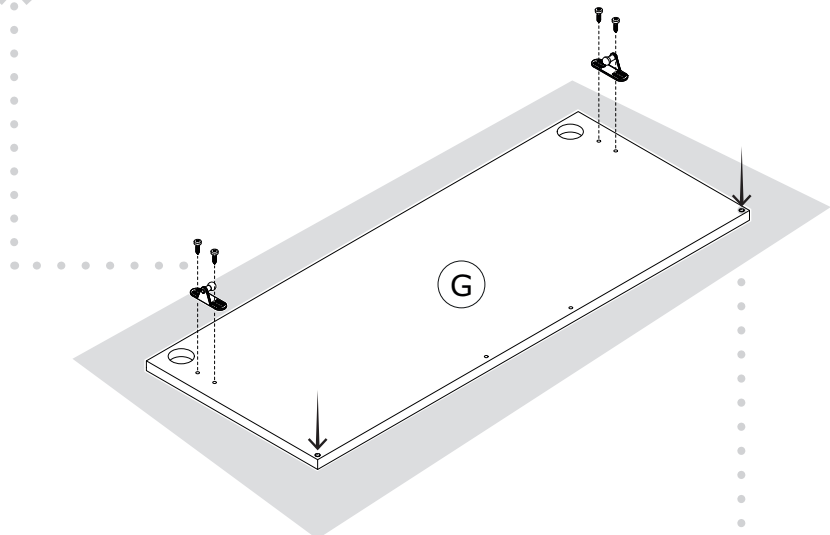
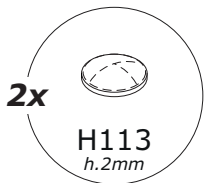
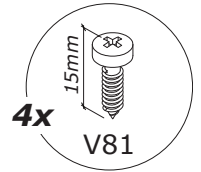
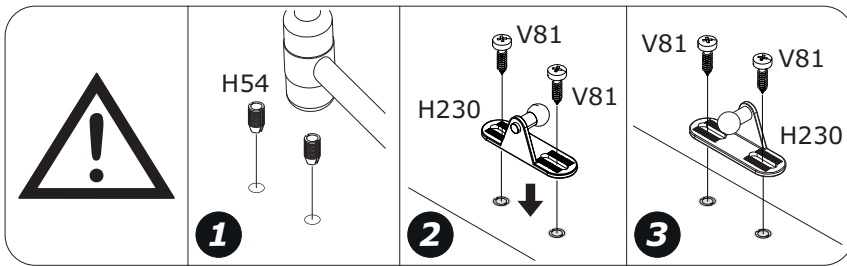
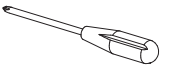
10



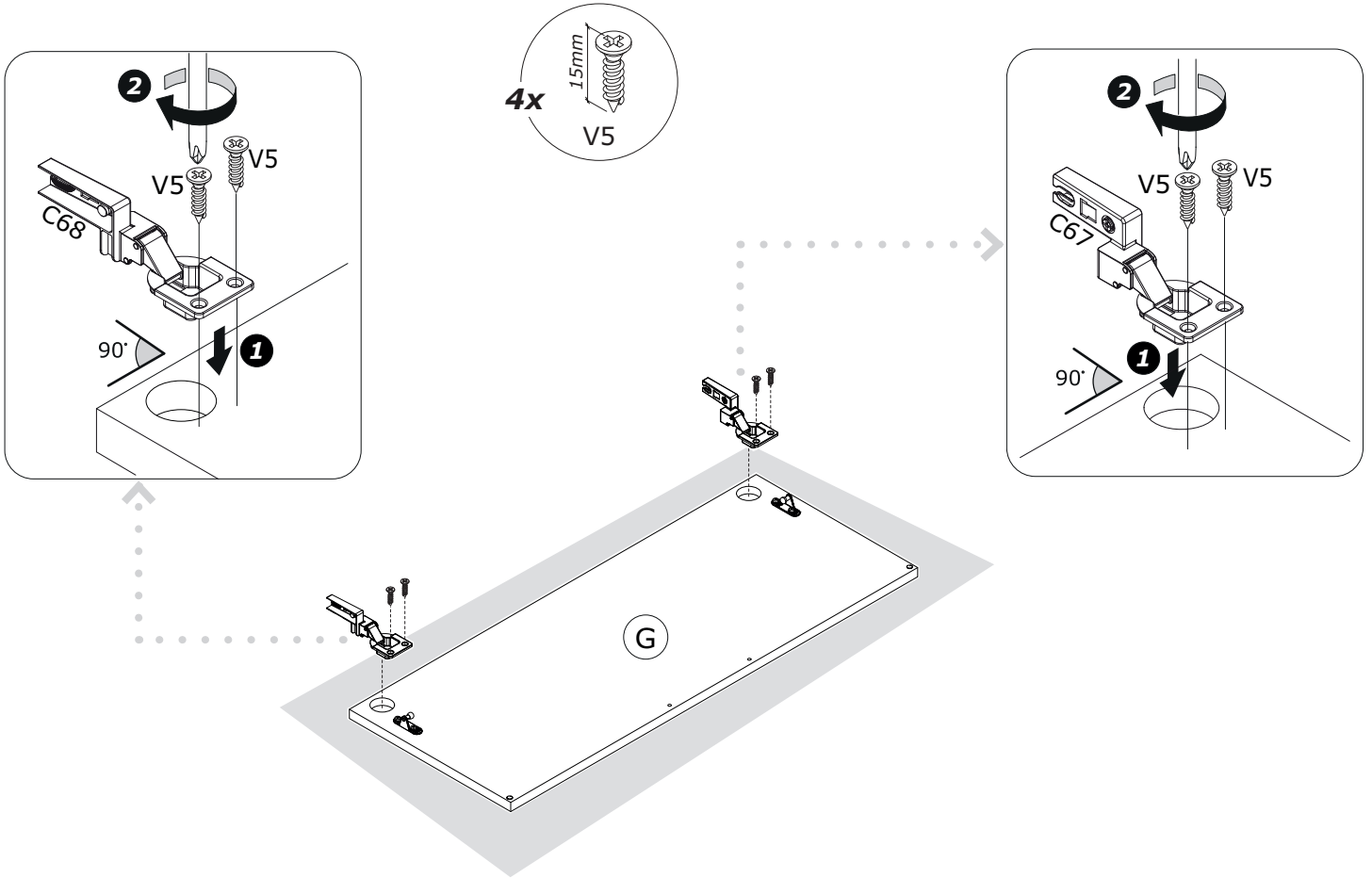
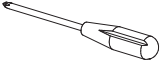
11



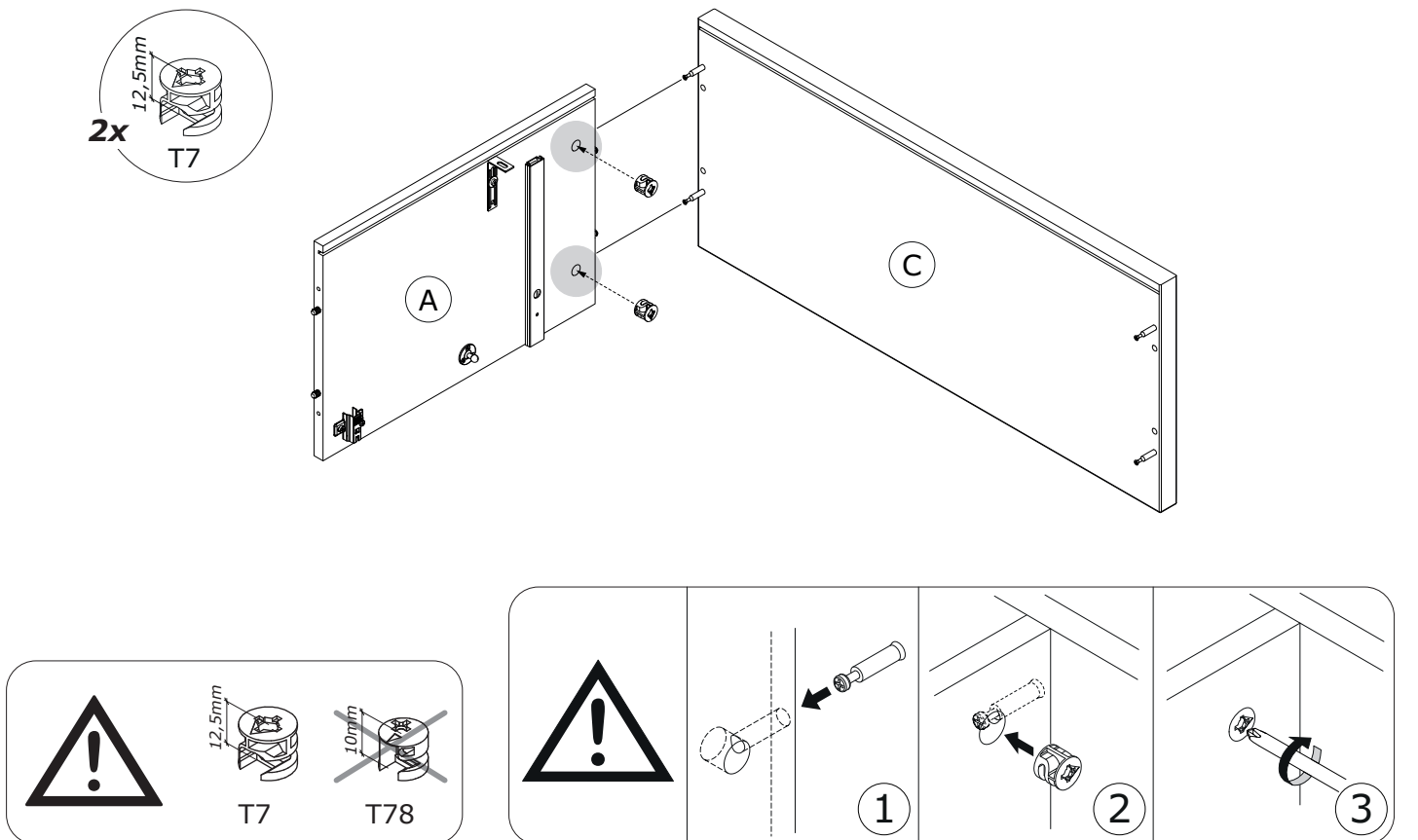
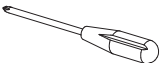
12



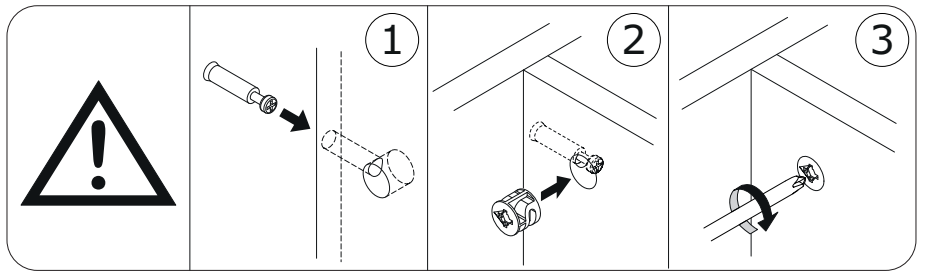
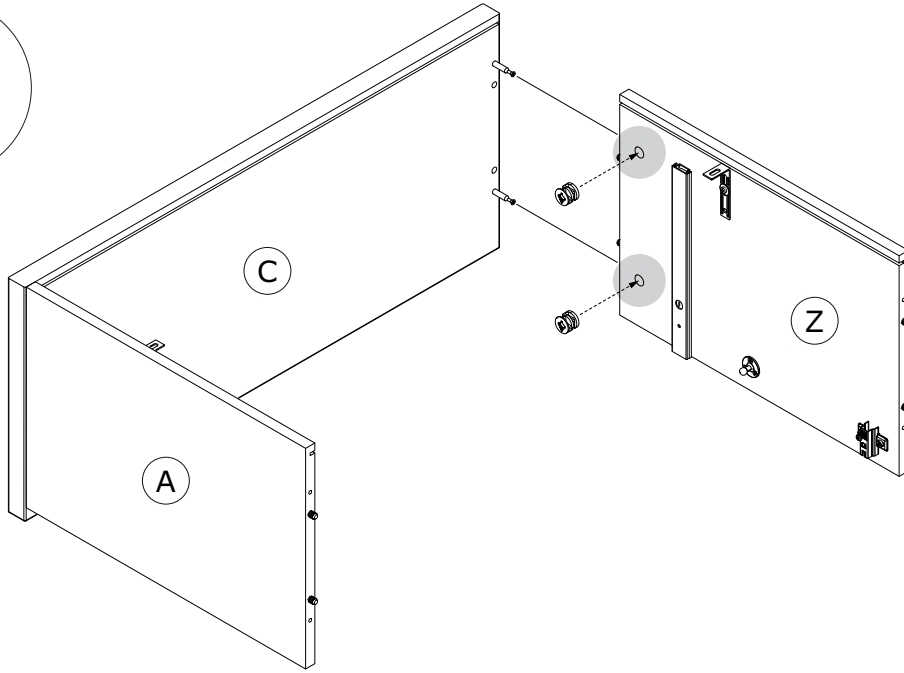
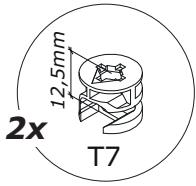
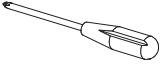
13



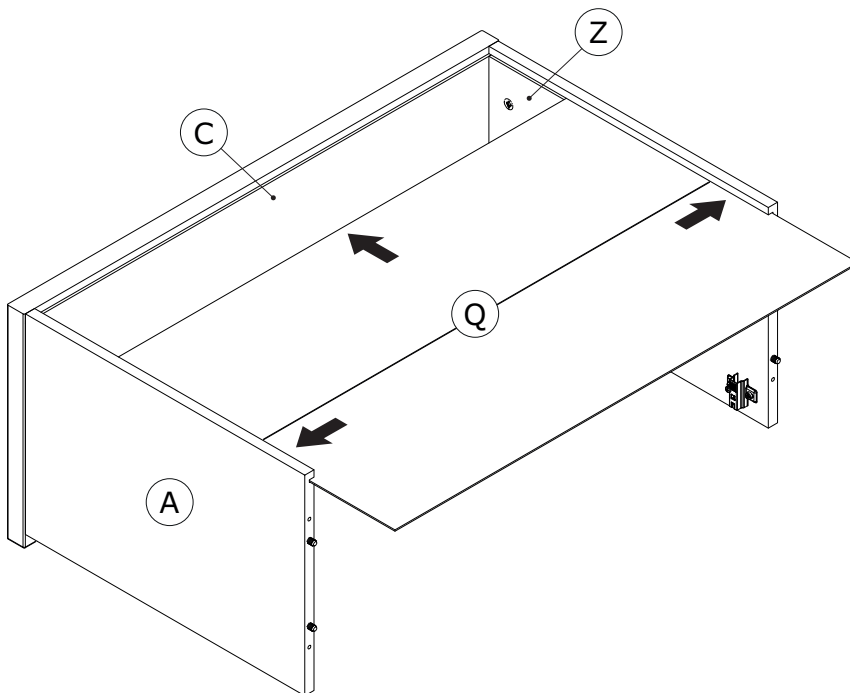
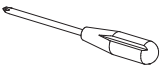
14



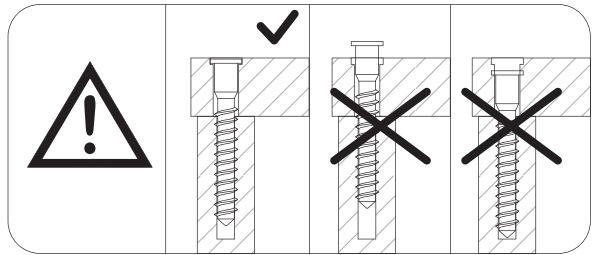
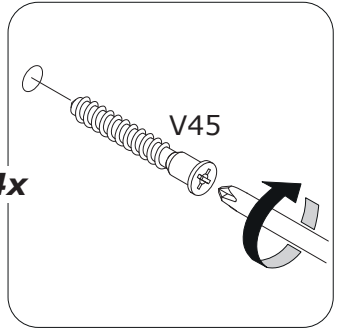
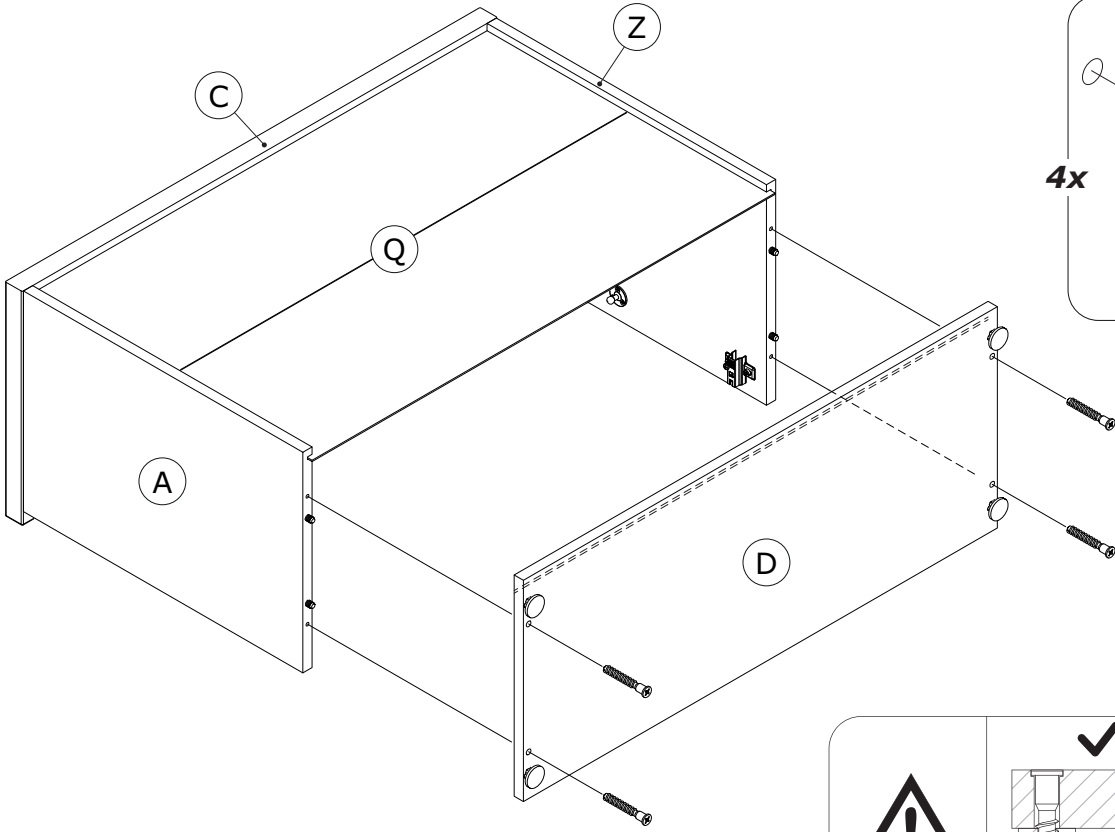
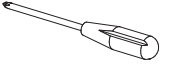
15



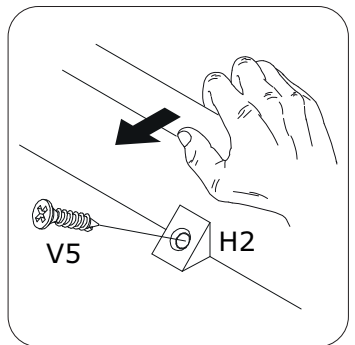
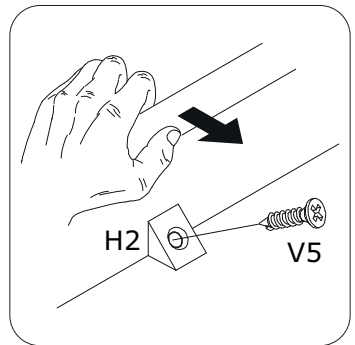
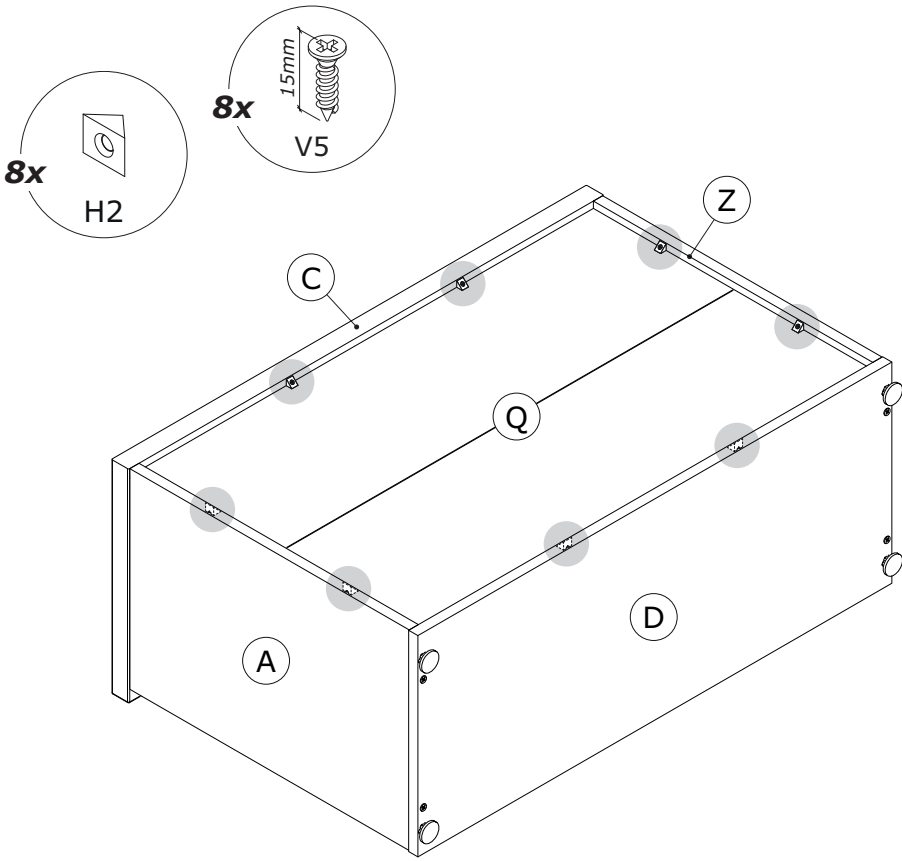
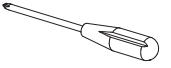
16



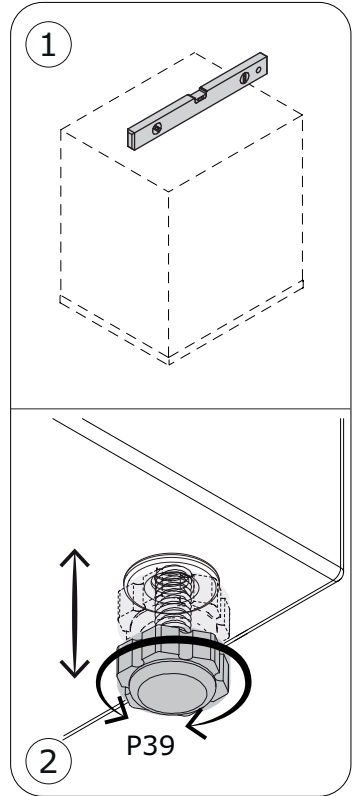
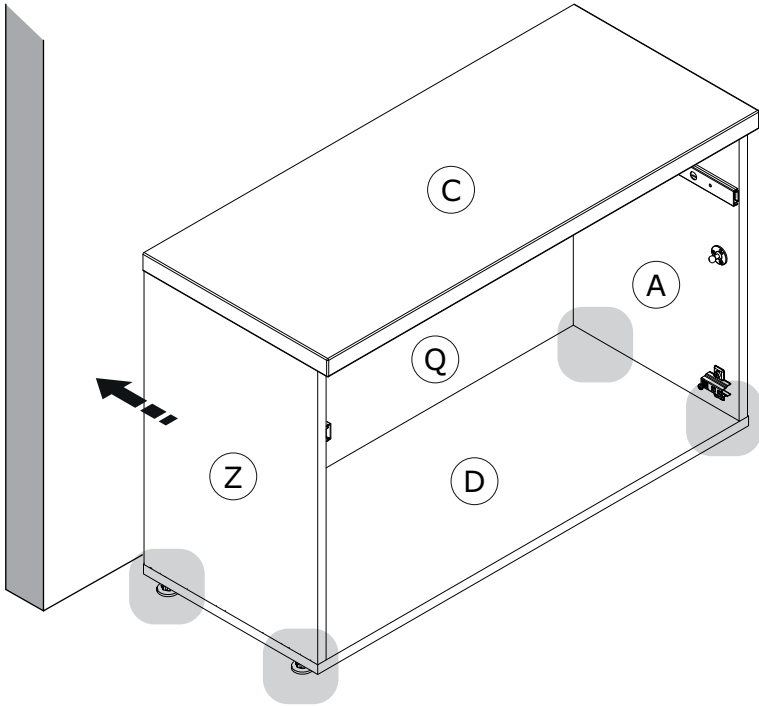
17



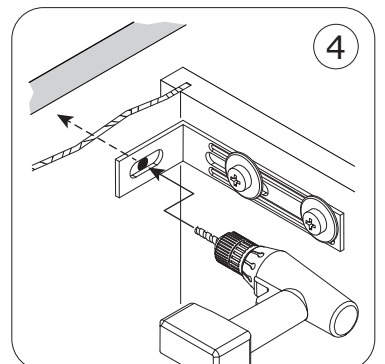
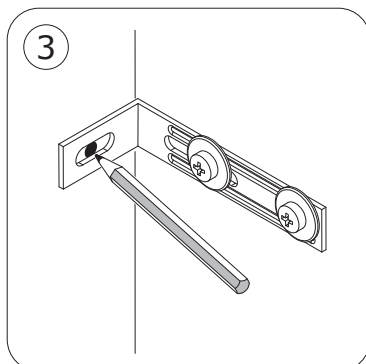
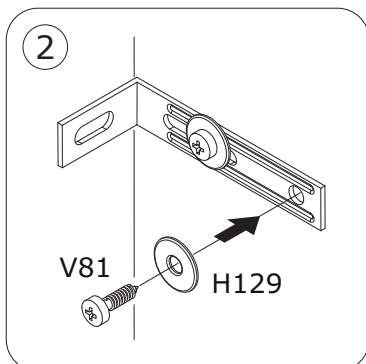
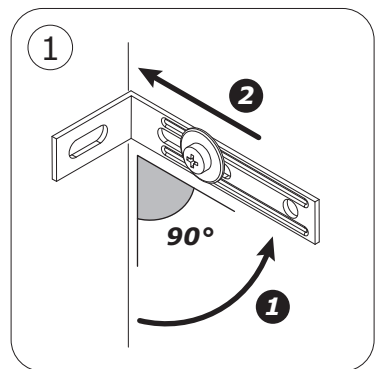
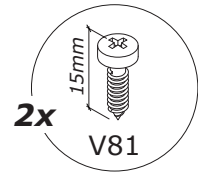
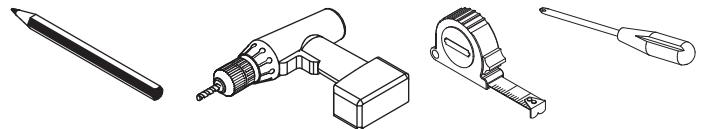
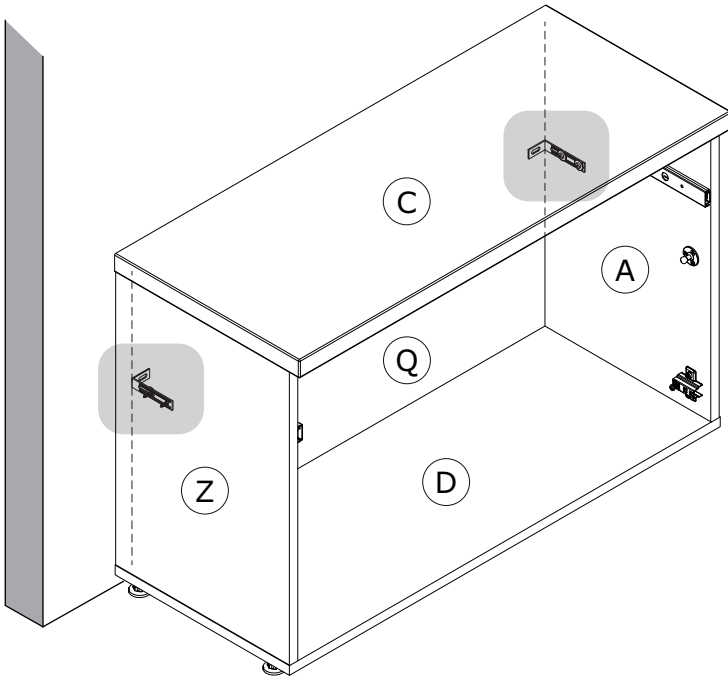
18



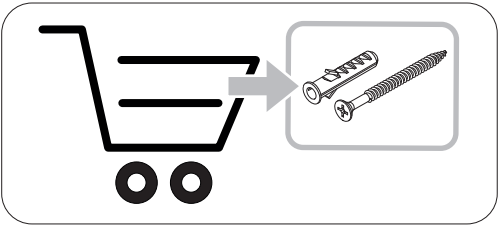
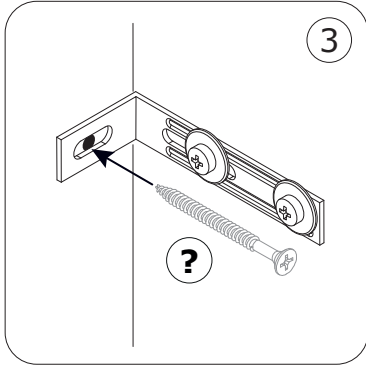
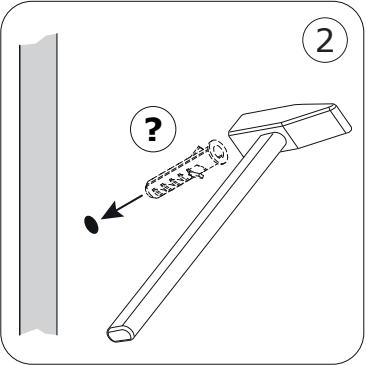
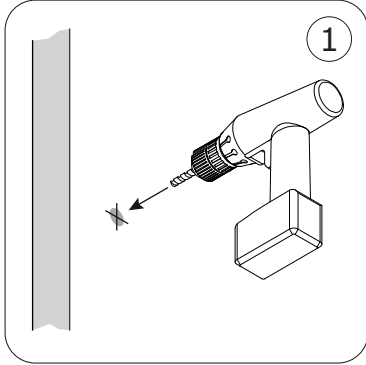
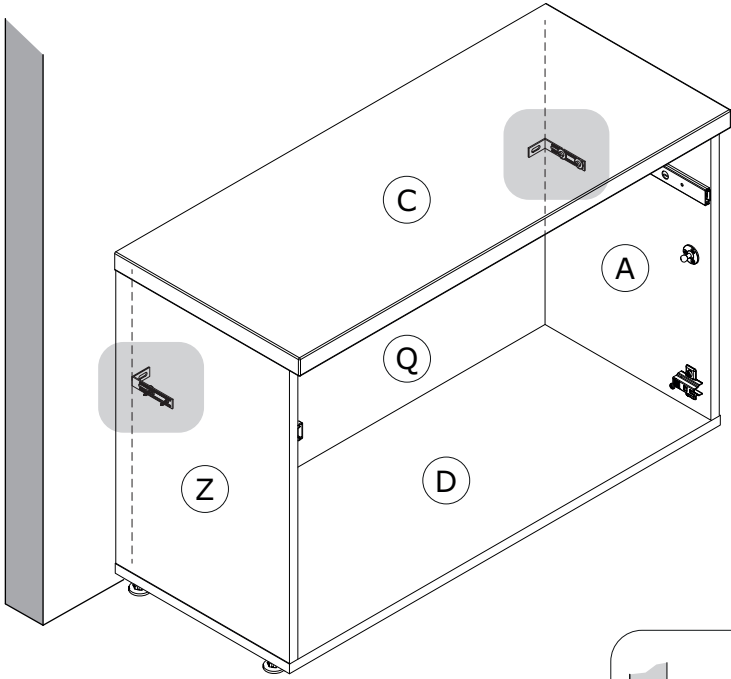
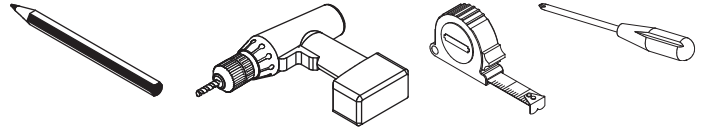
19



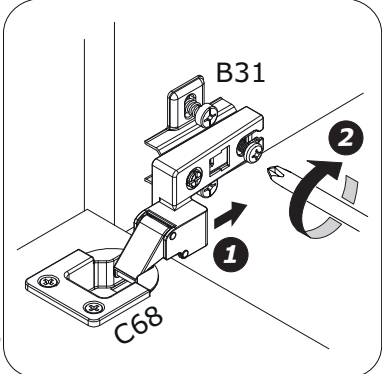
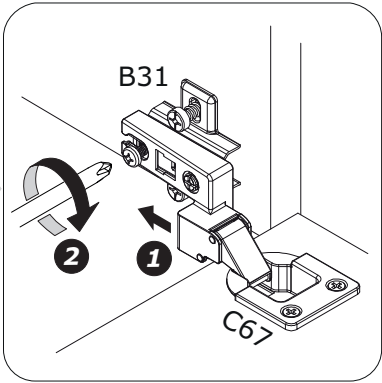
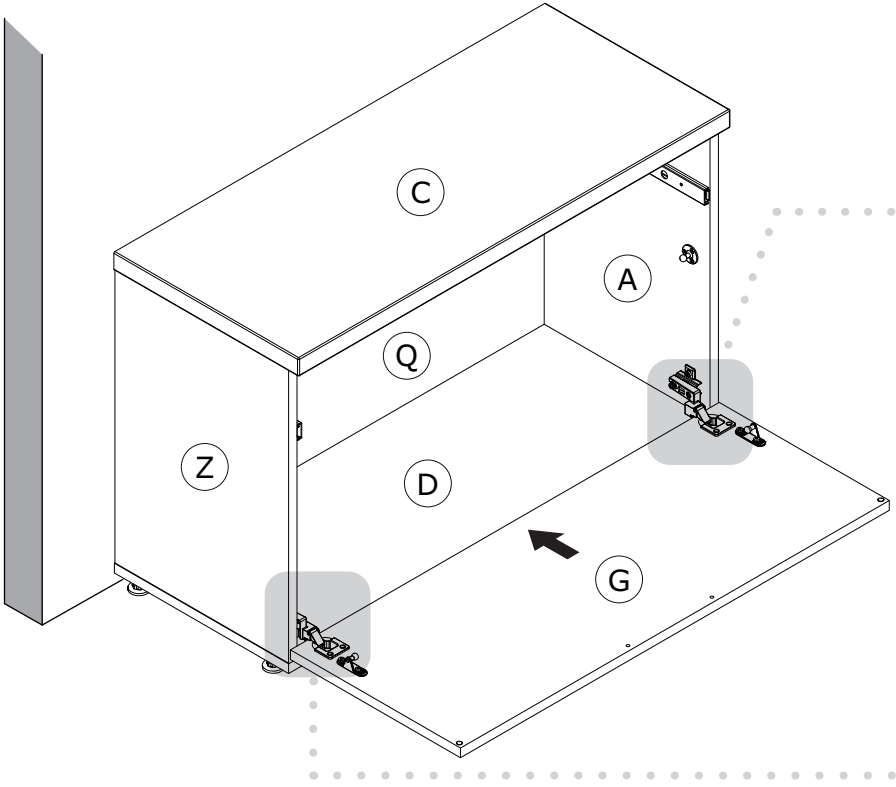
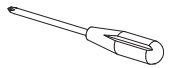
20



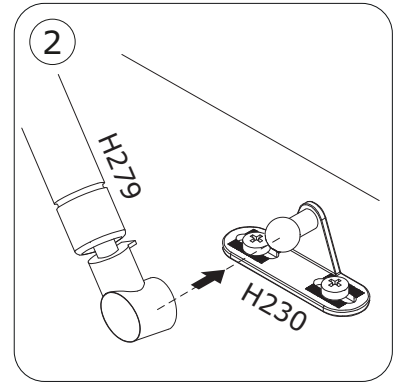
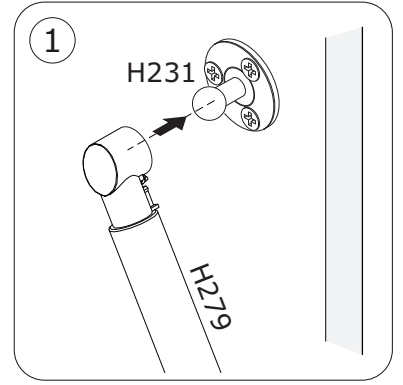
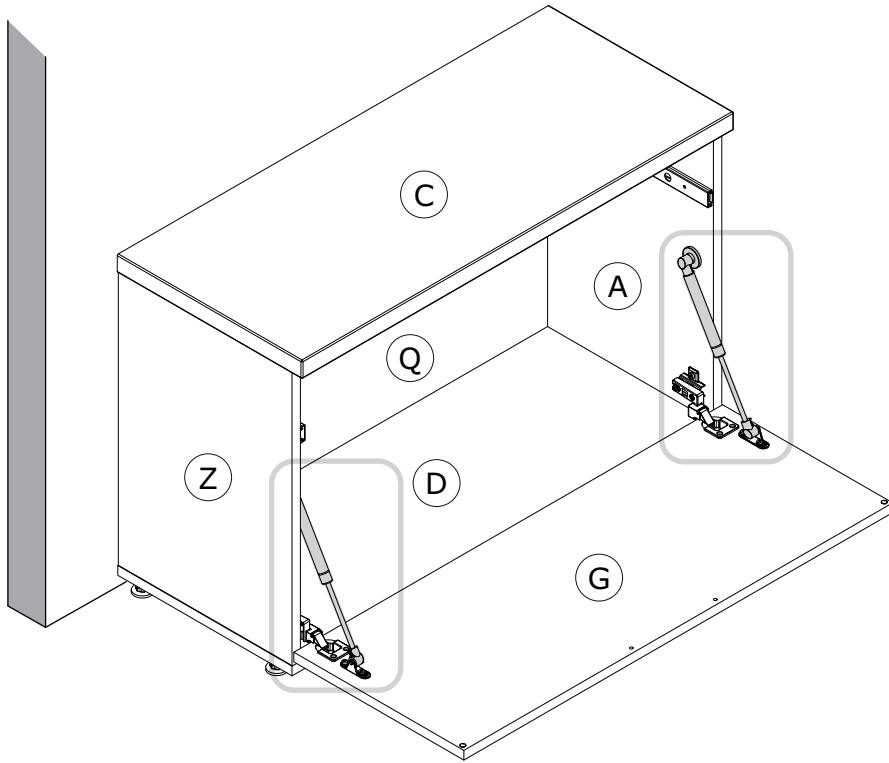
21



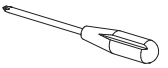
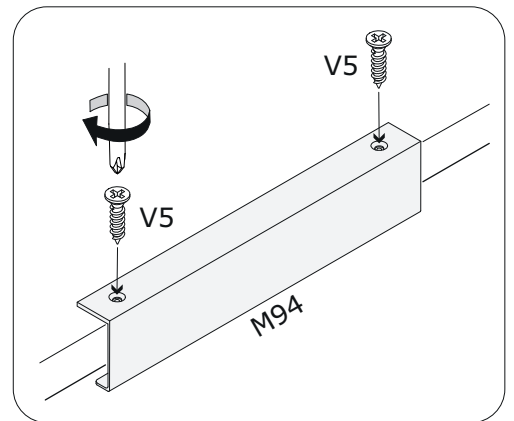
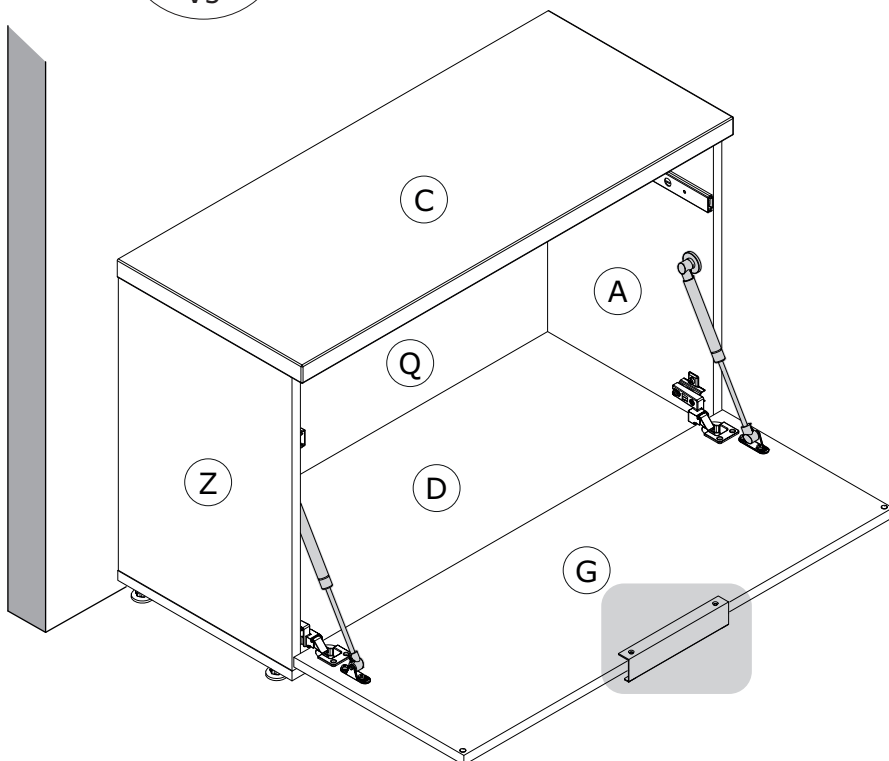
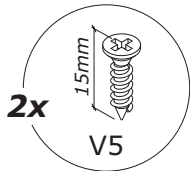
22



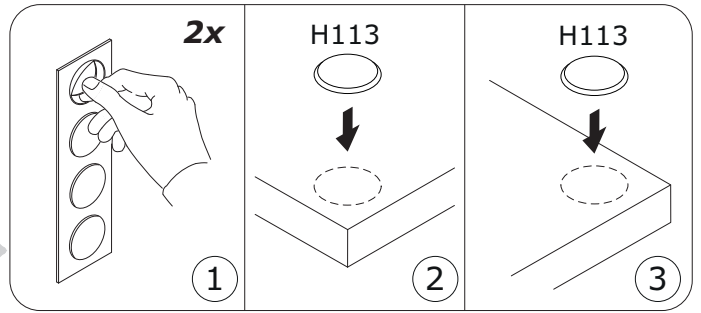
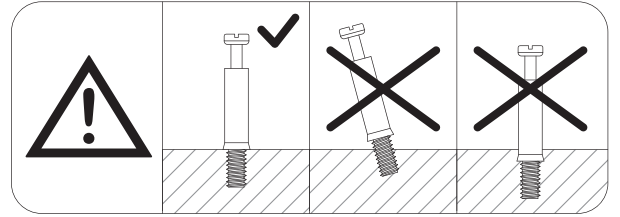
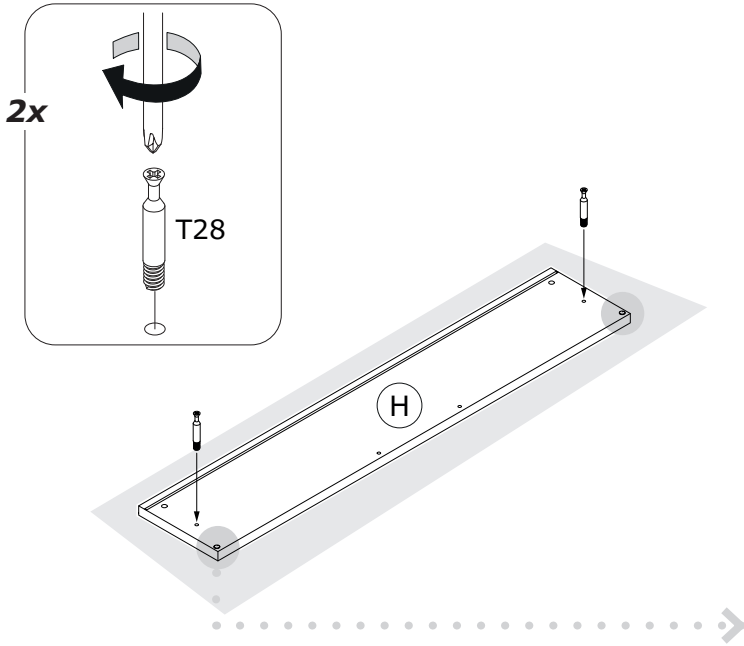
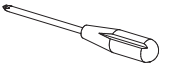
23



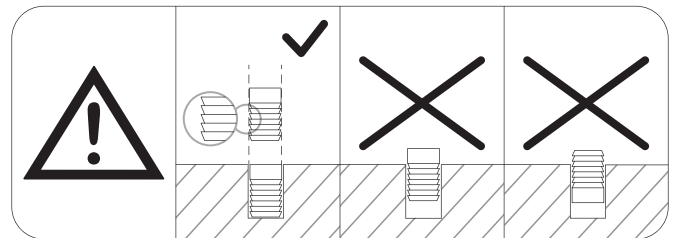
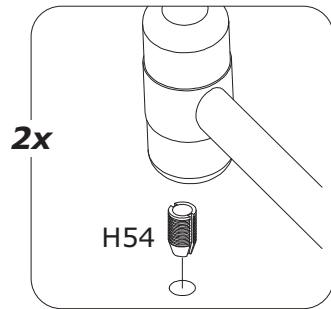
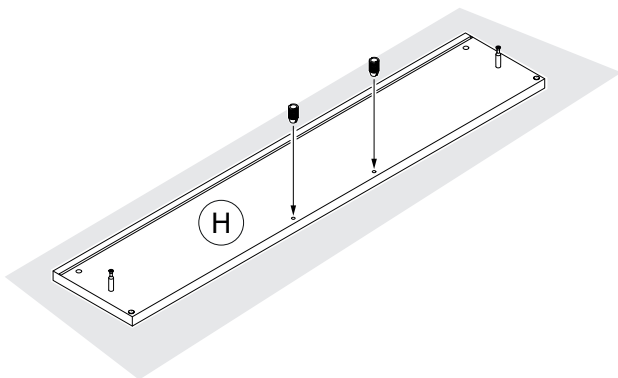
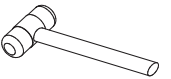
24



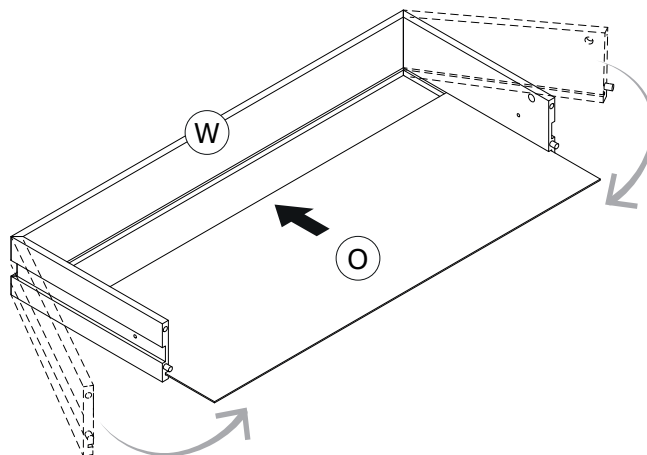
25

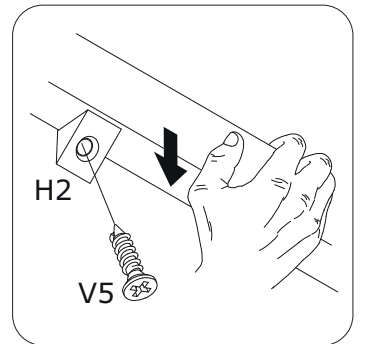
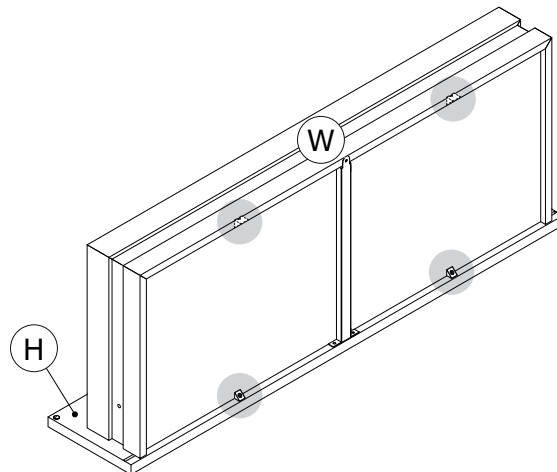
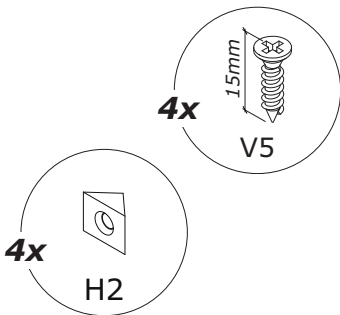
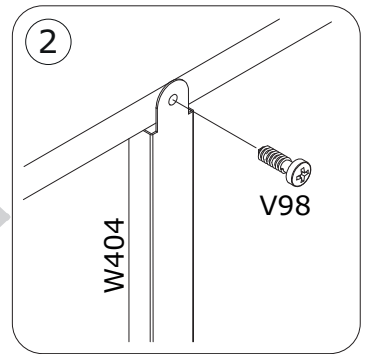
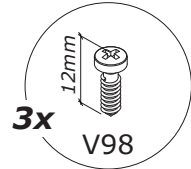
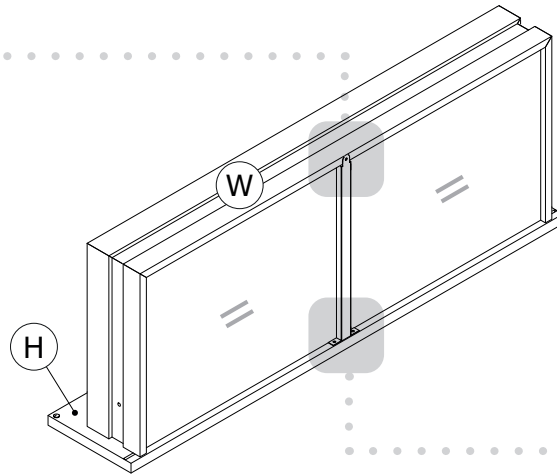
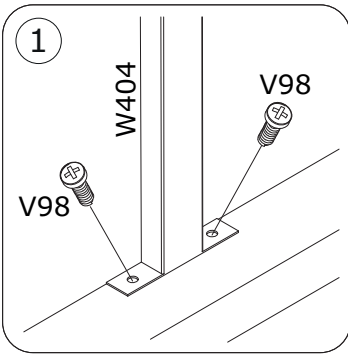
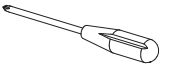
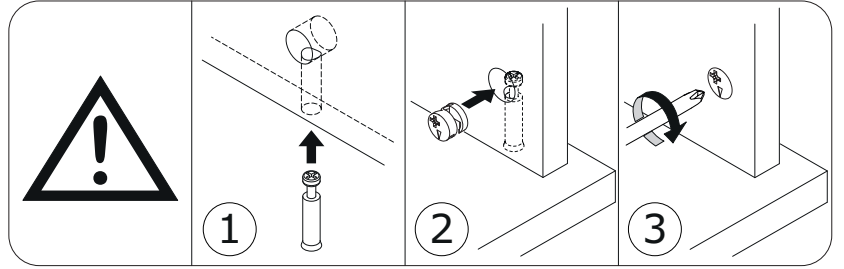
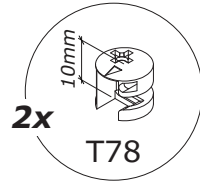
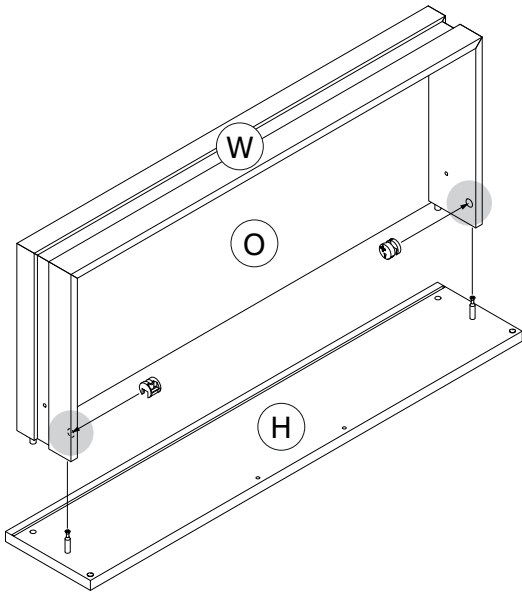
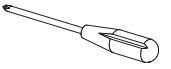


26

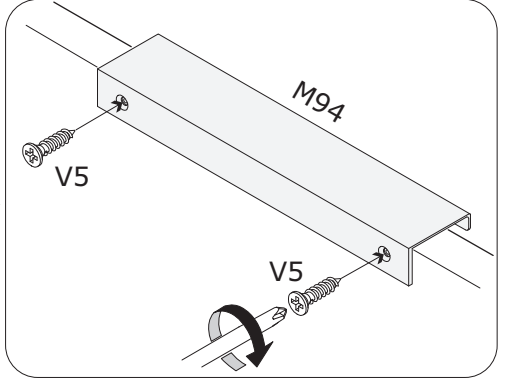
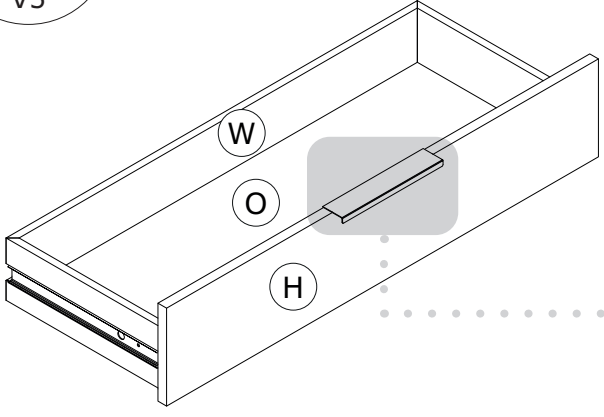
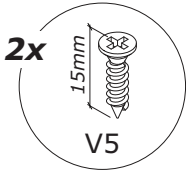
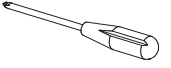


27





30



31

