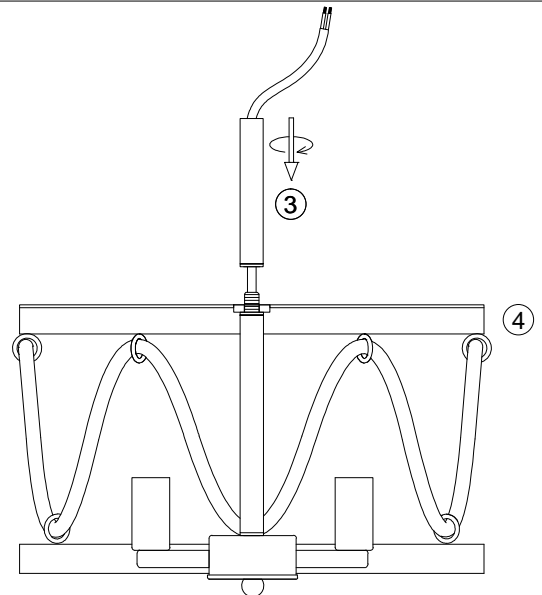
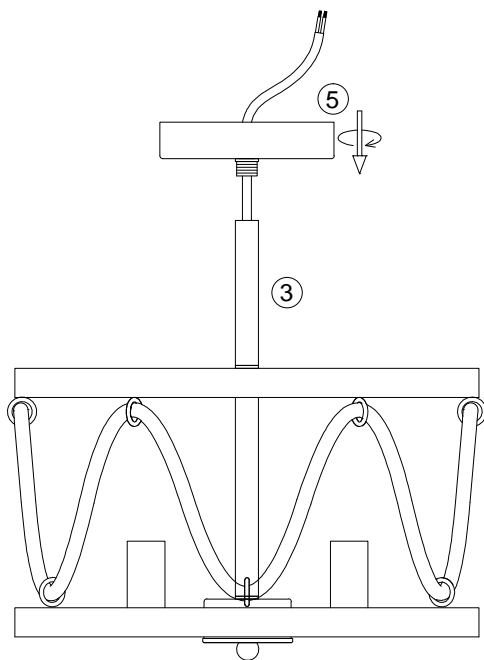


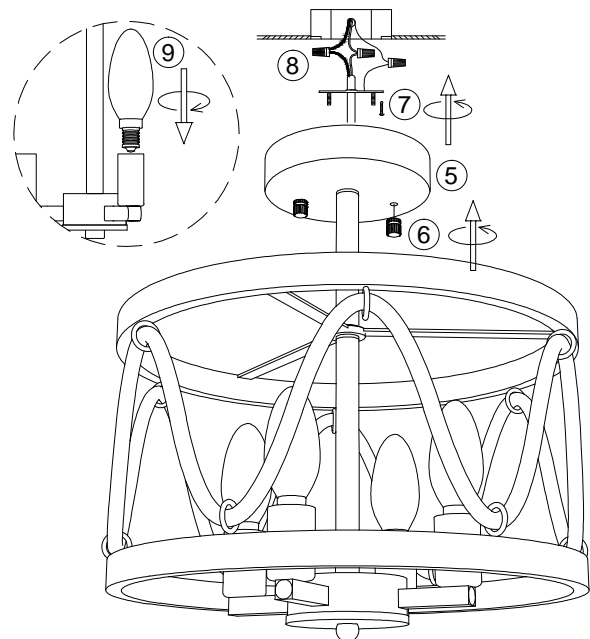
1. Let the wire go through the long tube ②, rotate to install the tube ② to the fixture ①.



2. Let the wire go through the lampshade ④ and short tube ③, rotate the tube ③ to fix the lampshade ④ and tube ③ to the fixture ①.



3. Let the wire go through the canopy ⑤, rotate to install the canopy ⑤ to the fixture.



4. Install the bracket to the ceiling junction box with screw ⑦.  
 5. Connect the wire to your home line with cap connector ⑧.  
 6. Install the fixture to the bracket with cap nut ⑥.  
 7. Install the bulb ⑨.

Please read carefully before installation!!!

Note : Please make sure that the electricity is powered off during installation !

Only a professional electrician should install this kind of product !