

5-Drawer Dresser Installation Manual

INSTRUCTION MANUAL



IMPORTANT WARRANTY INFORMATION

PLEASE READ CAREFULLY

If you have any problems or dissatisfaction with the product, don't hesitate to contact the after-sales team to solve the problems or express your feelings or concerns. We **DO VALUE** your voices and are all the time ready to help. All the calls, emails and messages from you will get our immediate reply within 24 hours.

All items can be returned or replaced for any reason within 30 days of the receipt as long as the item is returned in its original product package and all accessories of its original shipment are included.

About Replacement:

If there are missing parts or damages when you receive the item, you don't need to return it if you want to get a replacement. Please contact the after-sales team and we will provide a replacement for free.

About Returns:

1. If you need to return product, please contact the **After-sales Team**.

We will provide a **PREPAID RETURN LABEL** by E-mail.

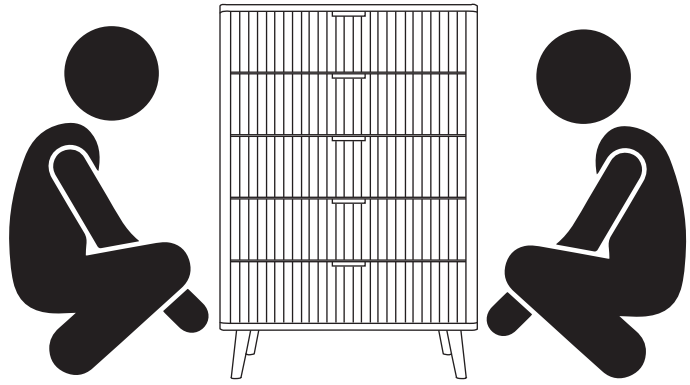
Please include a brief description of the problem and photos of the damaged product in your email.

2. **Please Note: If the customer does not contact the after-sales team to get a return label and the customer purchases the return label by themselves, it may incur expensive return shipping charges. And the seller will not bear the fee of the customer's own purchase of the return label**
3. If the product is damaged by the customer, we can refuse to provide a prepaid return label, and the customer needs to pay for the return shipping.
4. Boxes for return shipping will not be provided by the seller. The customers are responsible for using the original shipping boxes, or purchasing new boxes when no boxes.
5. After all returned items arrive at the Return Center, please contact the After-sales team and we will fully refund back to the original payment method.

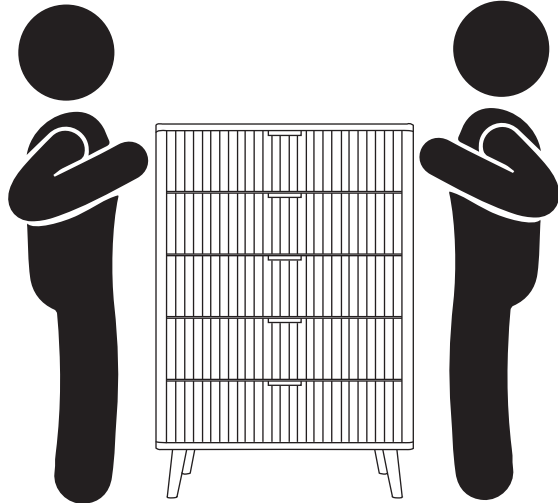
WARRANTY:

Please keep the after-sale card. If the product is damaged by non-human factors within six months, please contact our after-sales team.

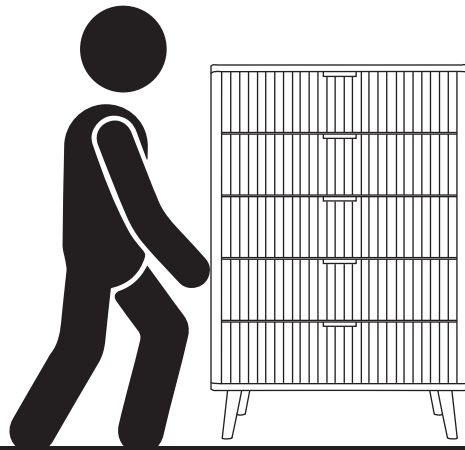
✔ Please raise up the cabinet by holding the bottom when you move it



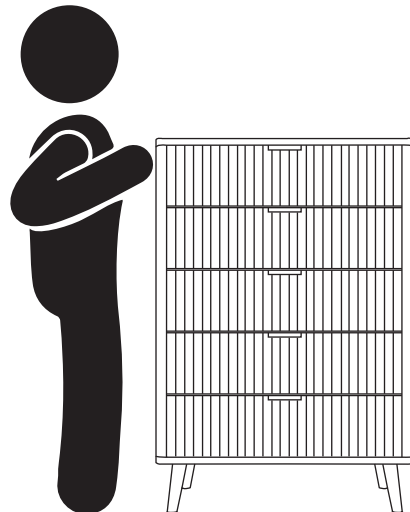
✘ DON'T try to raise up the cabinet by holding the Top Plank



✘ DON'T try to move the cabinet by holding the Side Plank

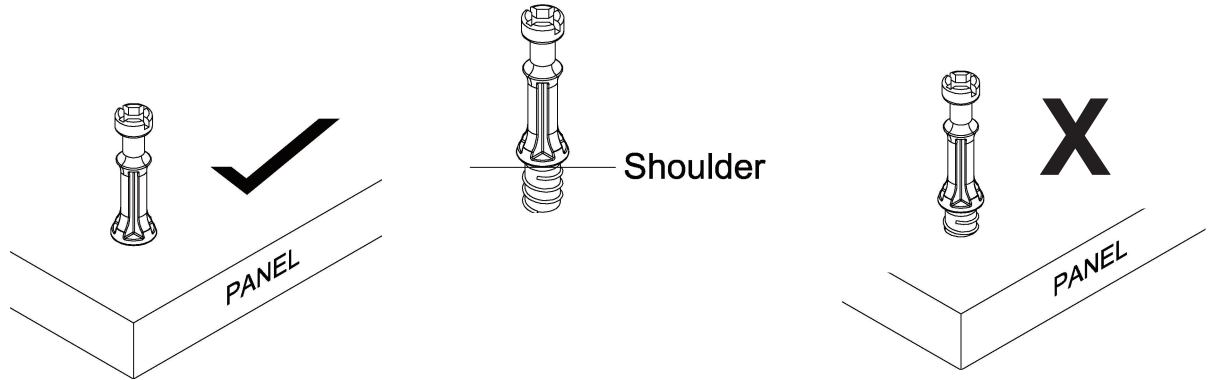


✘ DON'T try to move the cabinet by holding the Top Plank



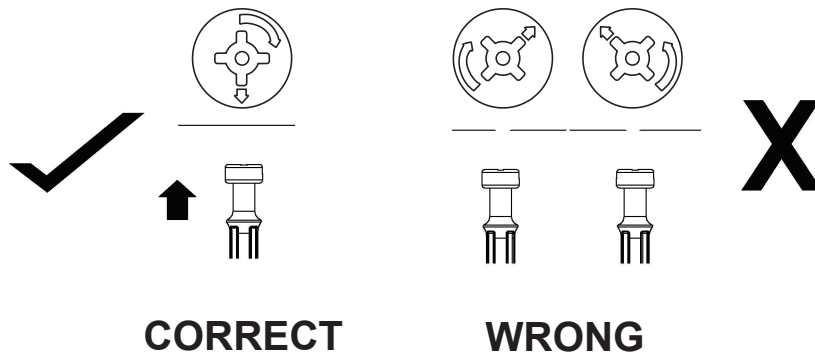
Tips before you start:

CAM BOLTS



Tighten Cam Bolts until shoulder is flush with panel. Do not overtighten or undertighten.

CAMLOCK

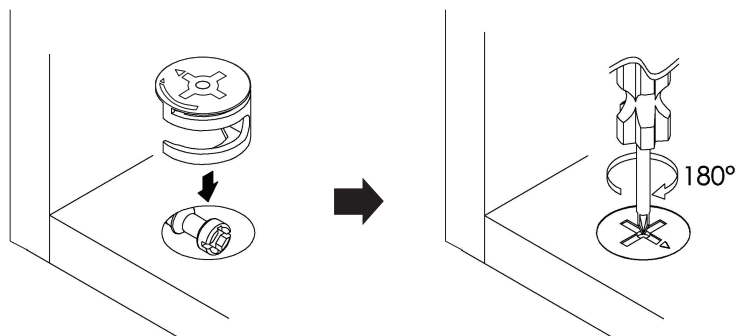


When fitting cam lock, ensure starting position is correct before you insert connecting Cam Bolts.

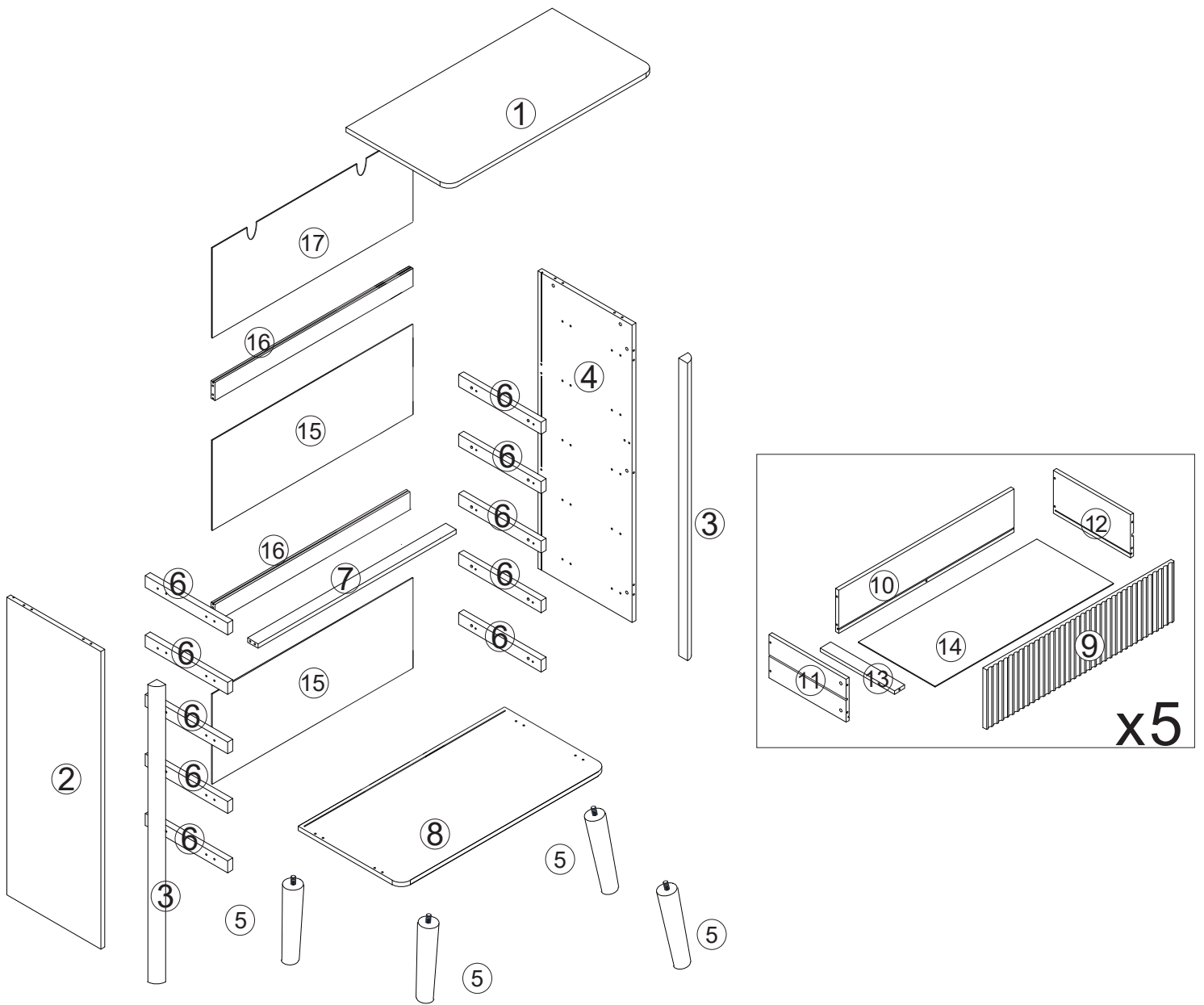
LOCKING-IN

Cam Bolts head should be in the centre of the cam lock when the two panels are joined.






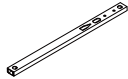
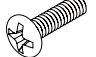

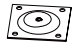
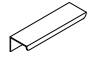



Cam lock should be inserted before Cam Bolts.



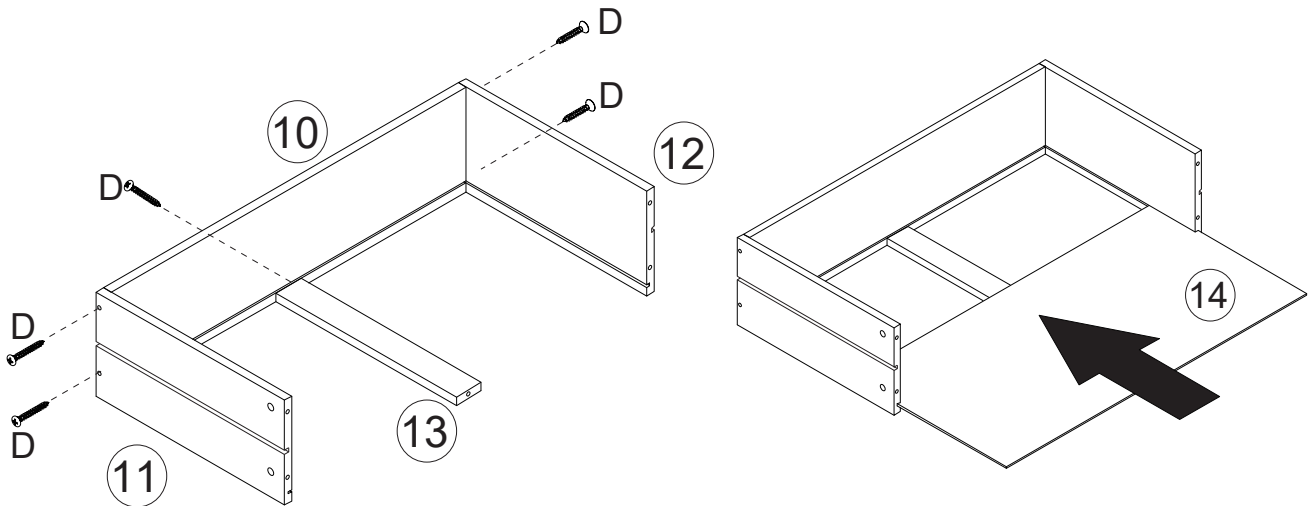
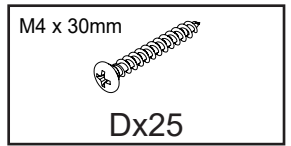
Turn camlock clockwise to tighten.



PARTS LIST

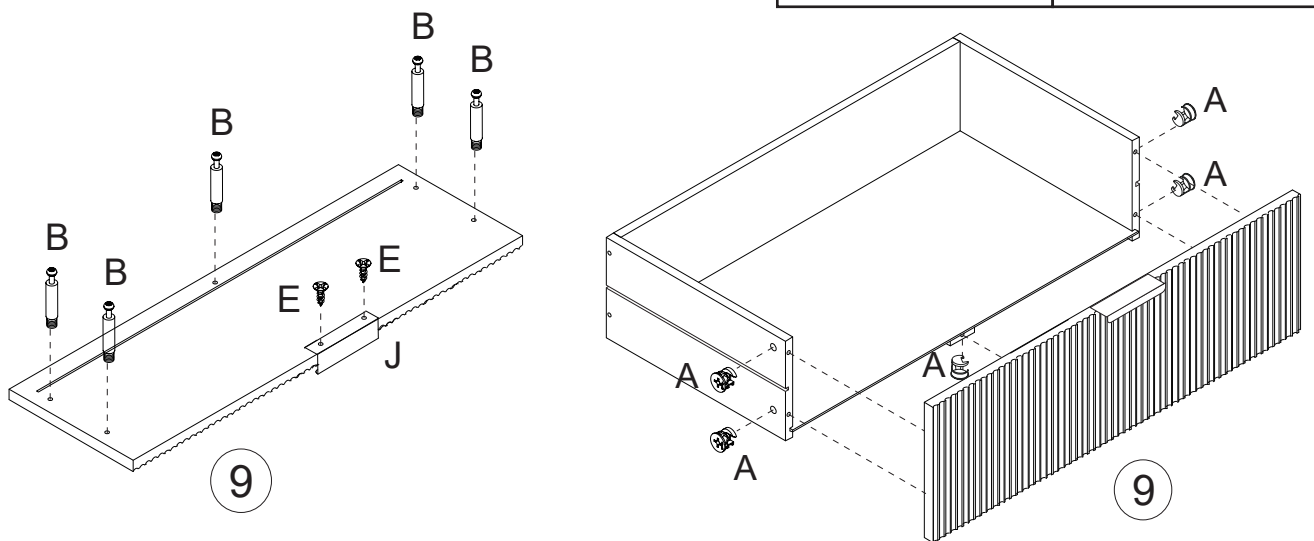
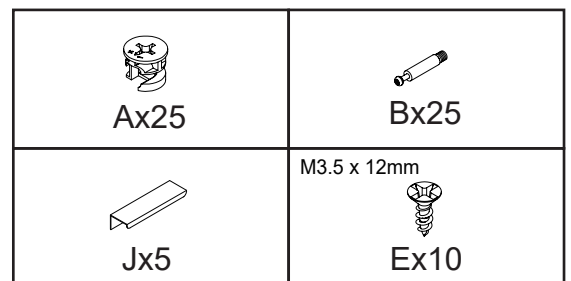
 Ax47+2	 Bx47+2	M6 x 30mm  Cx32+2	M4 x 30mm  Dx45+2	M3.5 x 12mm  Ex30+2	 Fx10
M4 x 10mm  Gx10+2	M4 x 14mm  Hx16+2	 Ix4	 Jx5	M4 x 40mm  Kx4+1	 Lx12
 Mx2					

Step 1



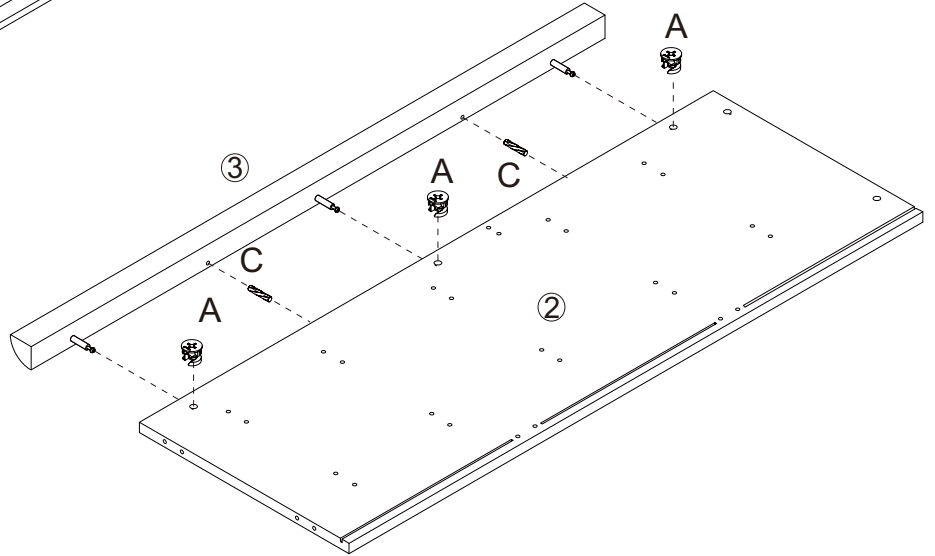
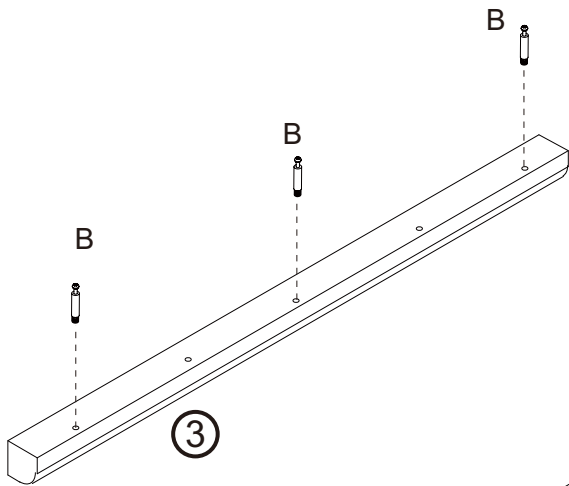
x5




Step 2



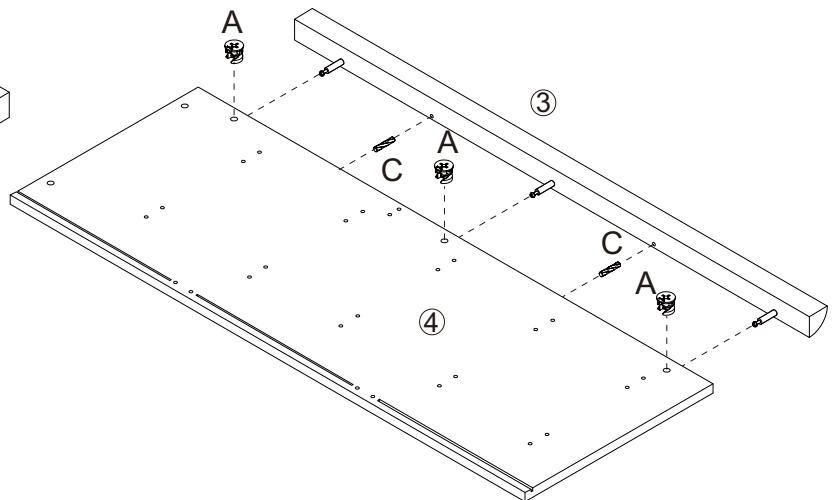
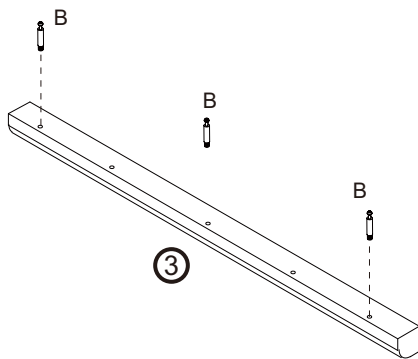
x5




Step 3



 Ax3	 Bx3
M6 x 30mm	
 Cx2	

Step 4



 Ax3	 Bx3
M6 x 30mm	
 Cx2	

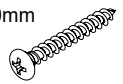
Step 5

M6 x 30mm

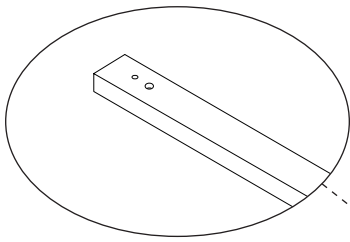


Cx10

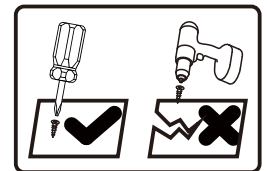
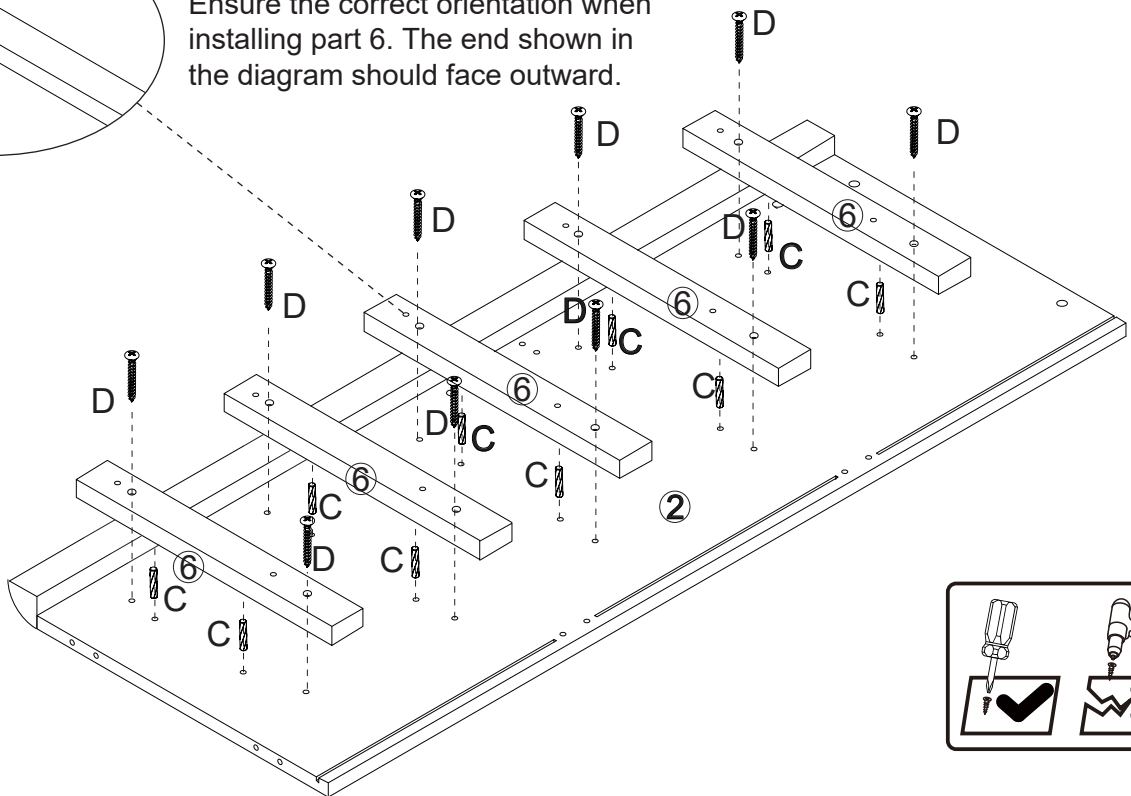
M4 x 30mm



Dx10



Ensure the correct orientation when installing part 6. The end shown in the diagram should face outward.



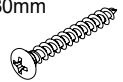
Step 6

M6 x 30mm

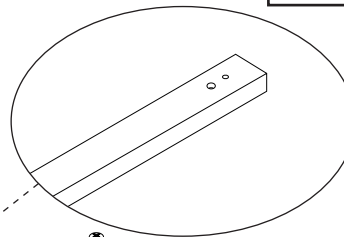


Cx10

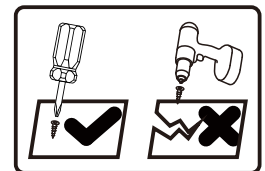
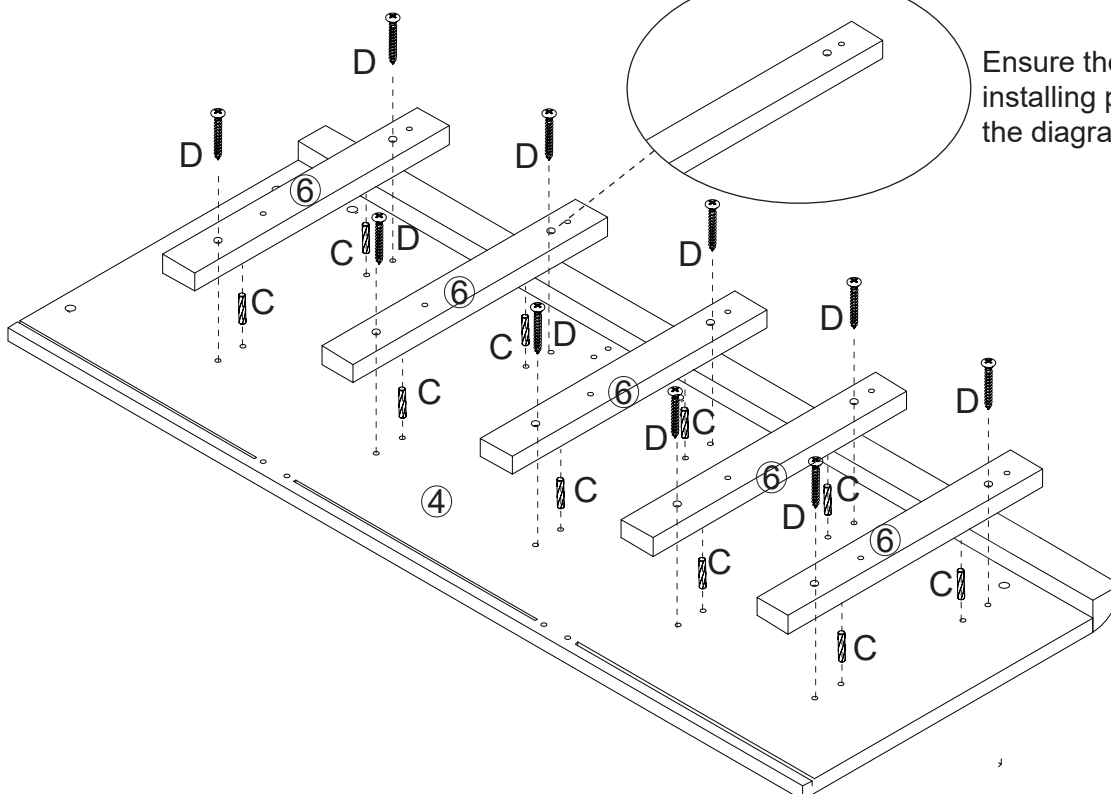
M4 x 30mm



Dx10



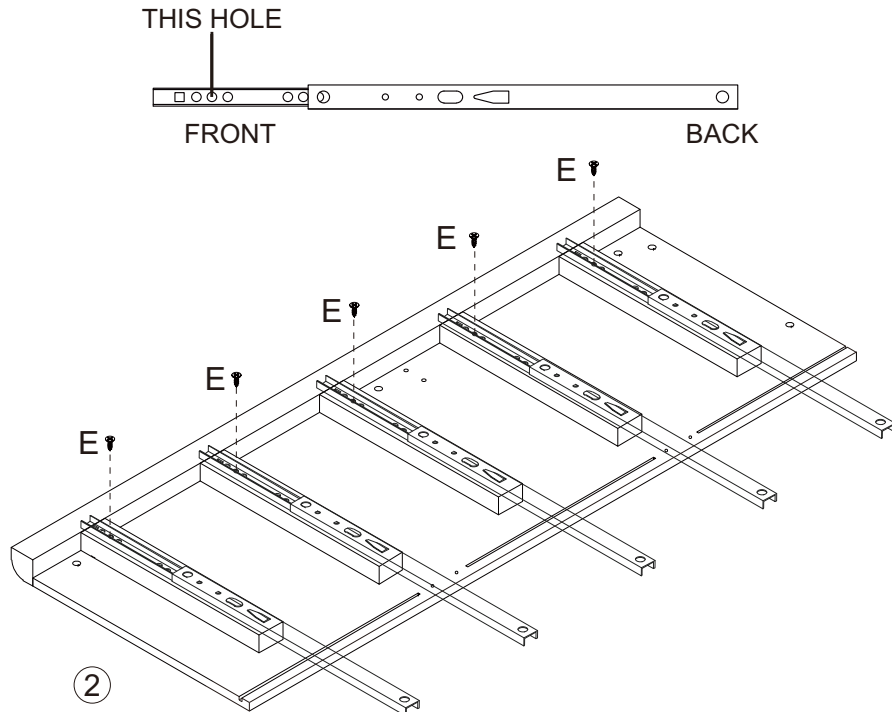
Ensure the correct orientation when installing part 6. The end shown in the diagram should face outward.



Step 7

Important:

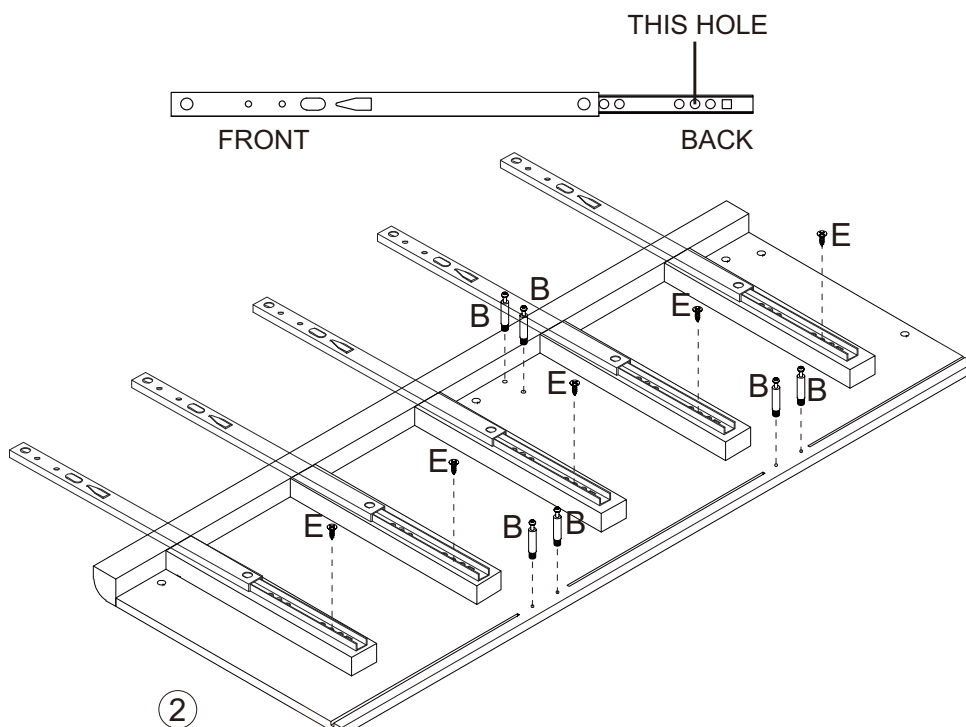
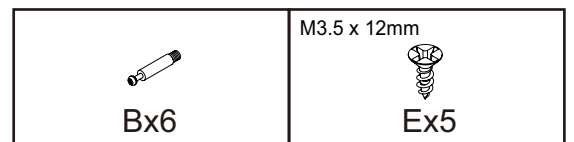
The slide rails must be secured by the fixing holes shown in this step. Follow the indicated hole positions in each step precisely to avoid installation errors.



Step 8

Important:

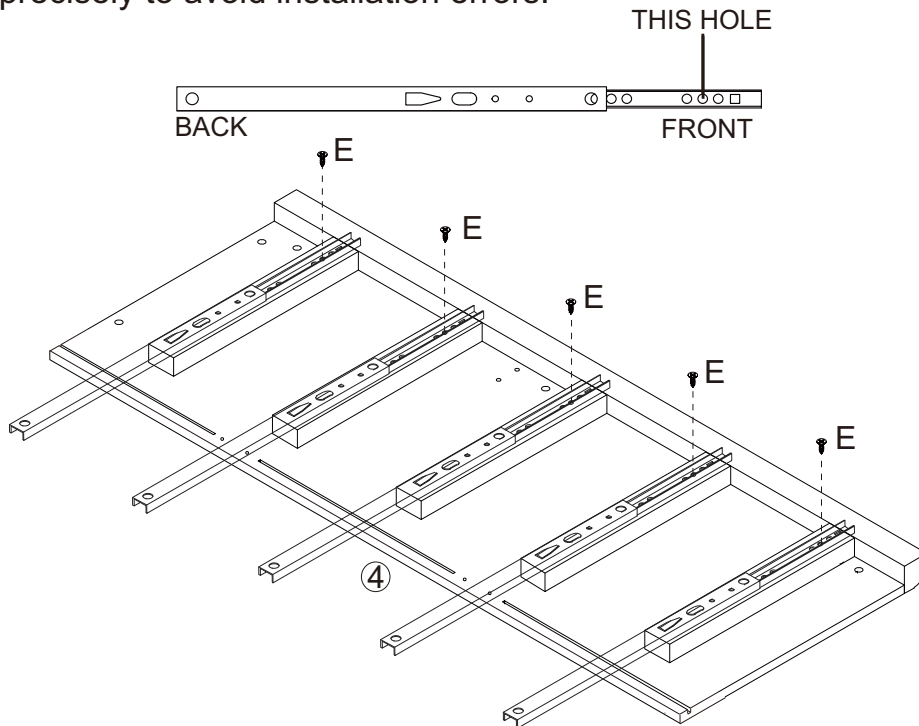
The slide rails must be secured by the fixing holes shown in this step. Follow the indicated hole positions in each step precisely to avoid installation errors.



Step 9

Important:

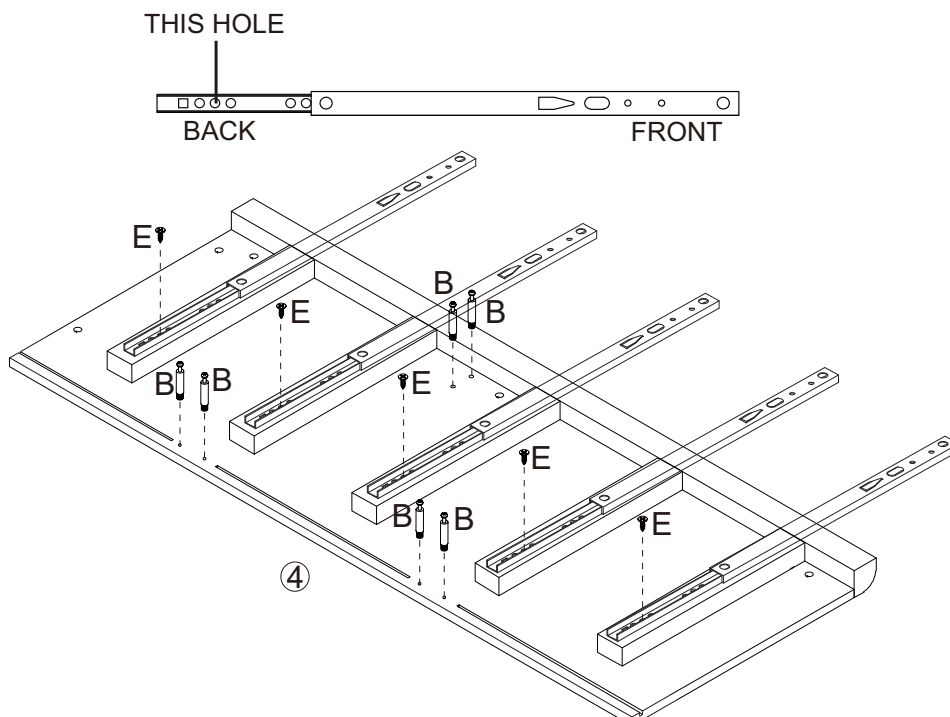
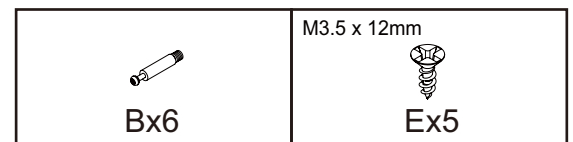
The slide rails must be secured by the fixing holes shown in this step. Follow the indicated hole positions in each step precisely to avoid installation errors.



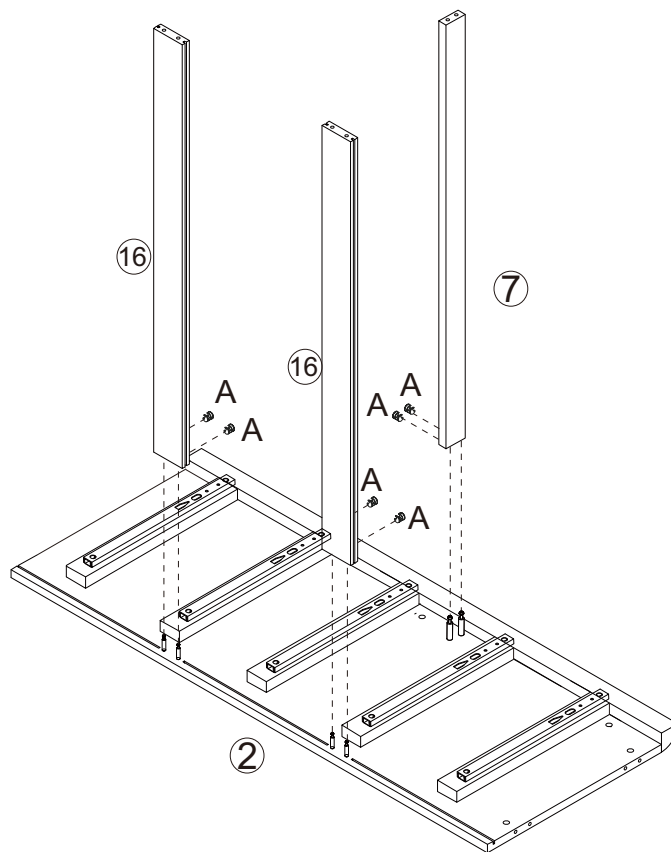
Step 10

Important:

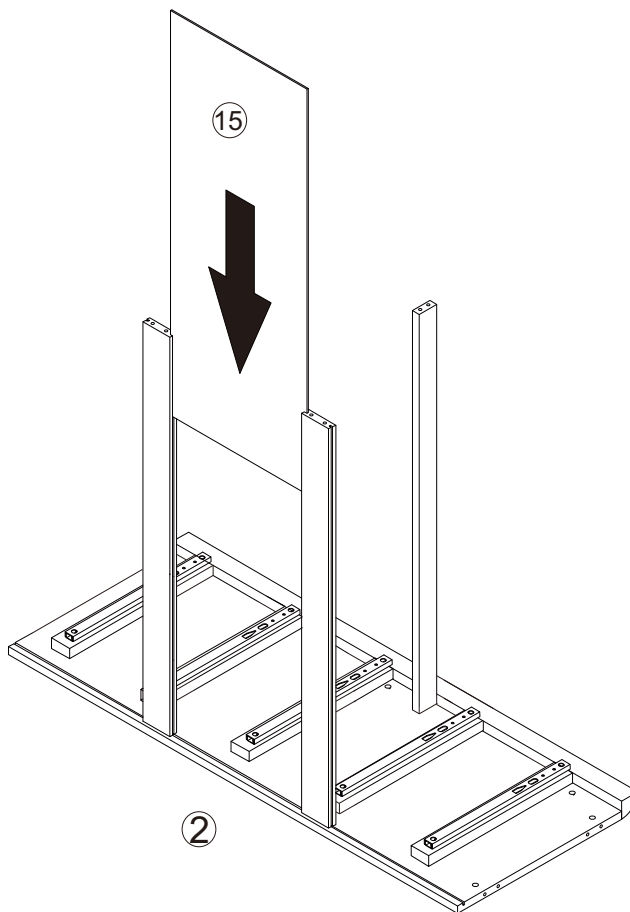
The slide rails must be secured by the fixing holes shown in this step. Follow the indicated hole positions in each step precisely to avoid installation errors.



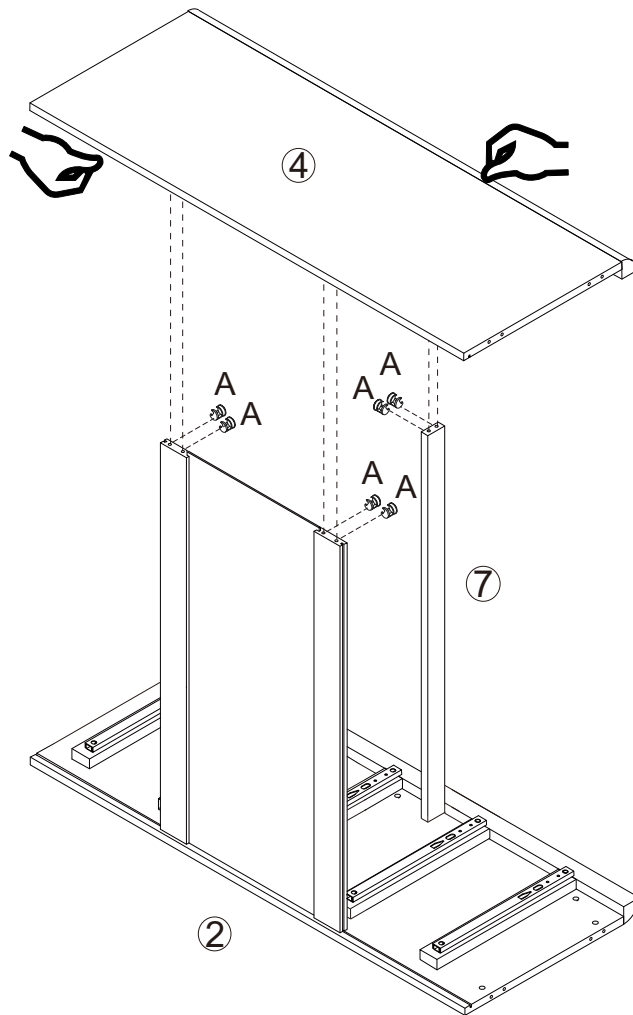
Step 11



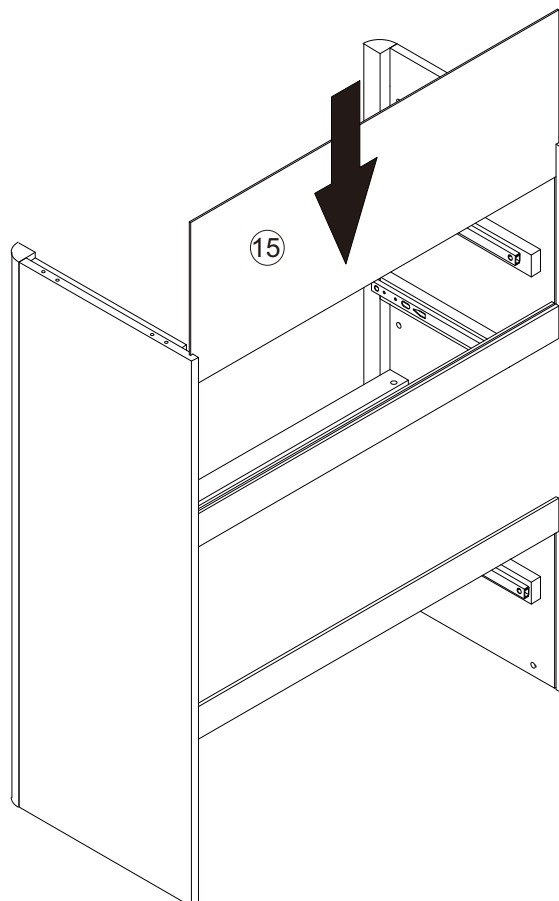
Step 12



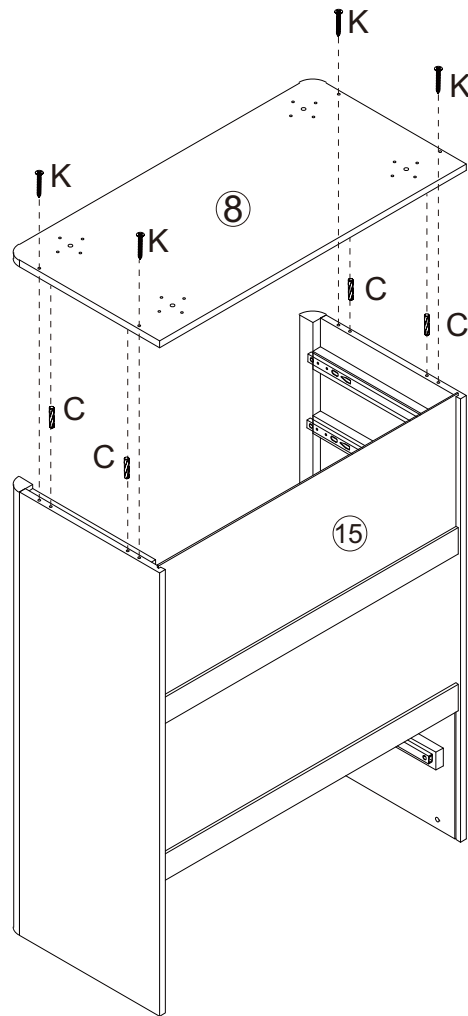
Step 13



Step 14



Step 15

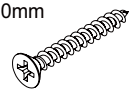


M6 x 30mm



Cx4

M4 x 40mm



Kx4

Step 16

ATTENTION:

When installing part I onto part 18, ensure that the lower side of part I is positioned toward the corner of part 18, while the higher side faces inward. This confirms that part I is oriented correctly.

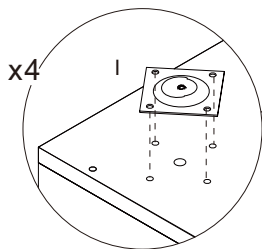
M4 x 14mm



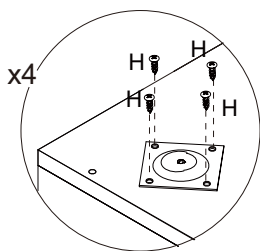
Hx16



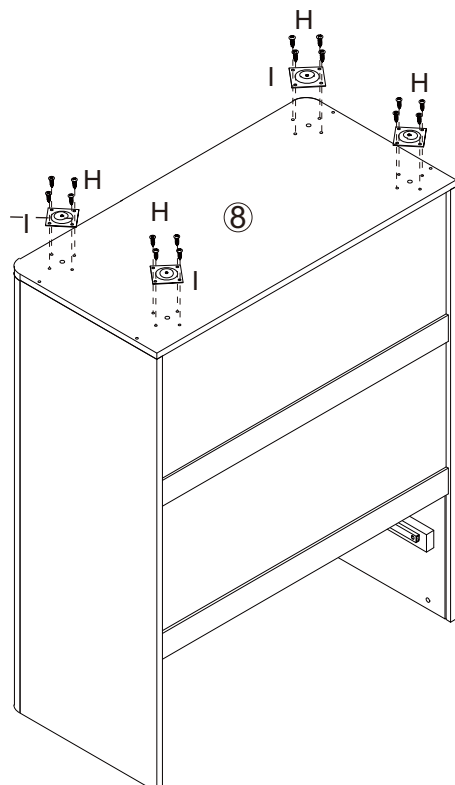
Ix4



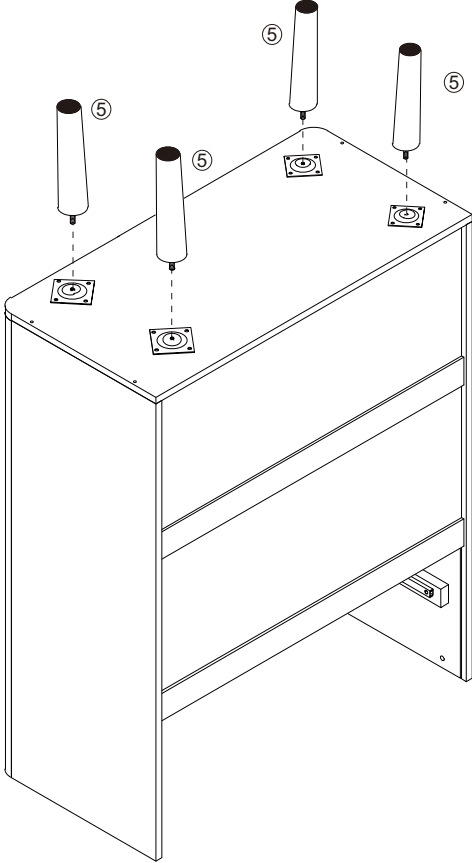
x4



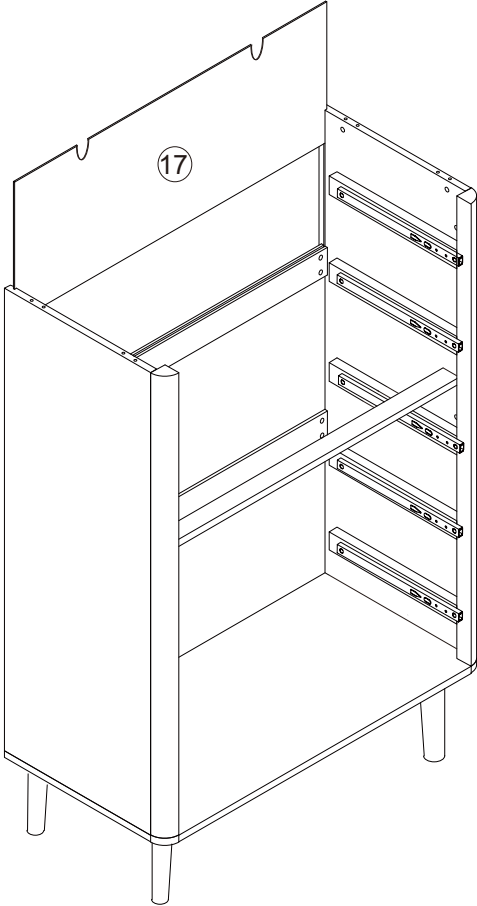
x4




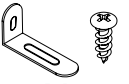
Step 17

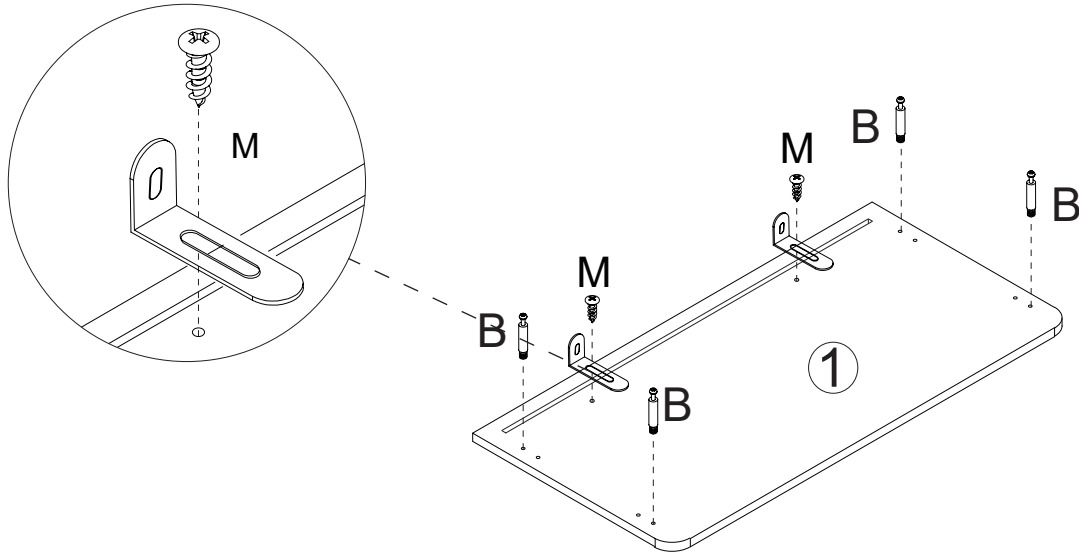


Step 18





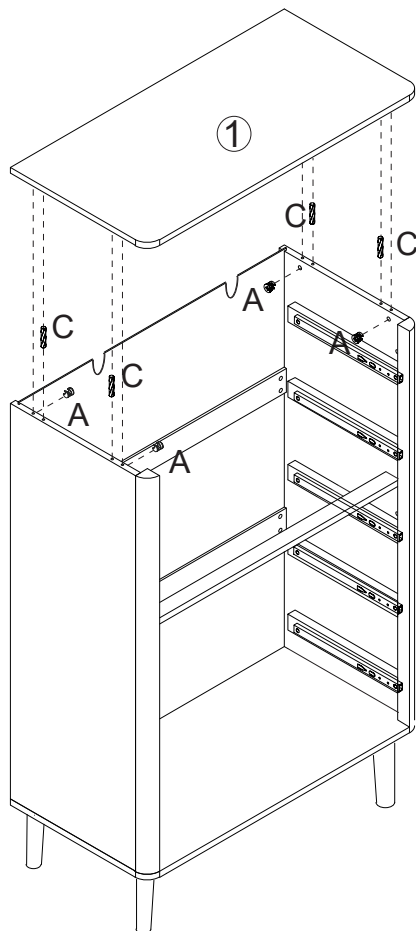
Step 19

 Bx4	 Mx2
--	--

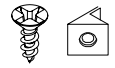
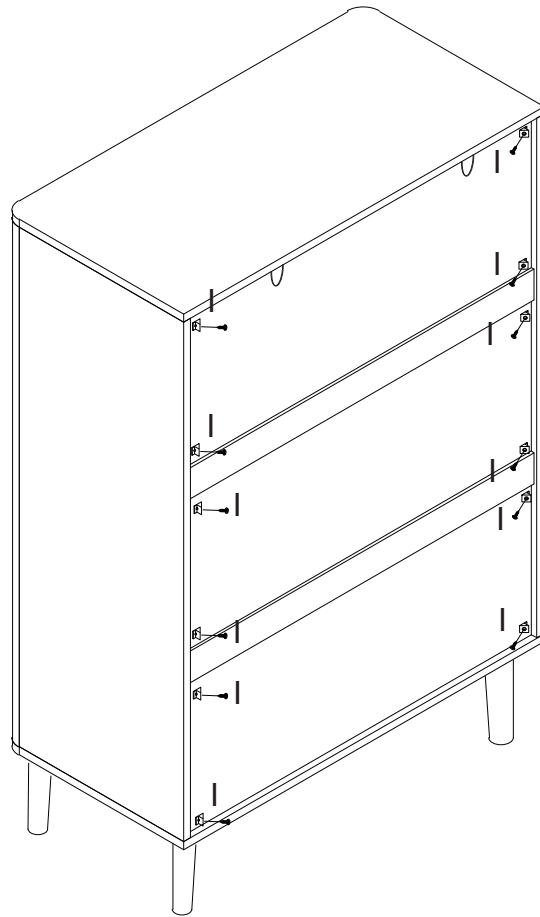


Step 20

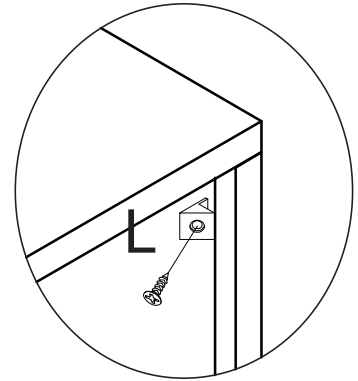
 Ax4	M6 x 30mm  Cx4
--	---



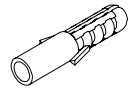
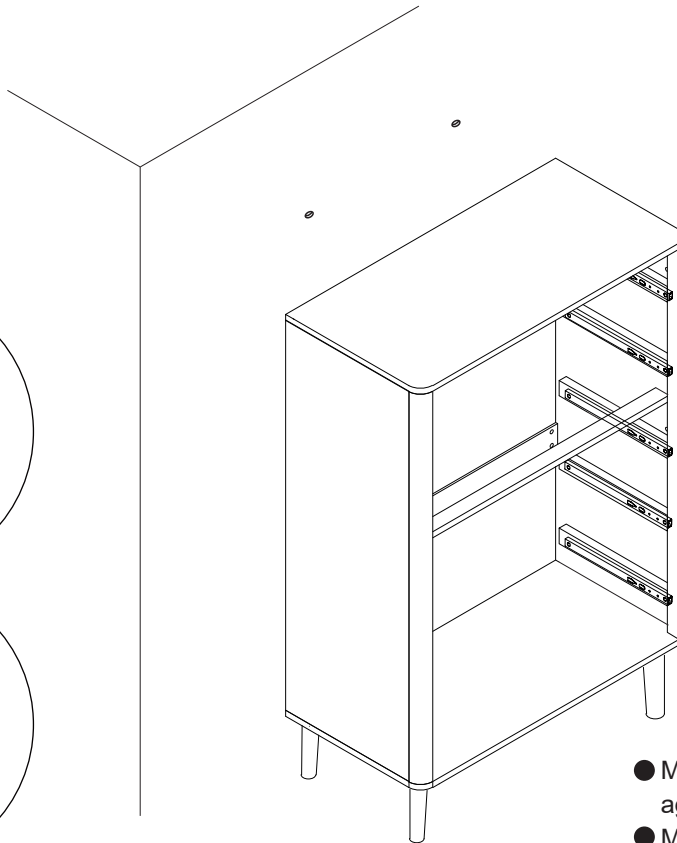
Step 21



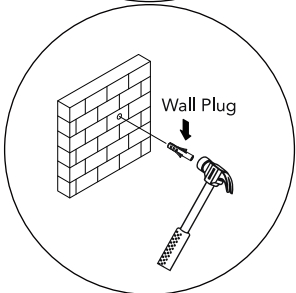
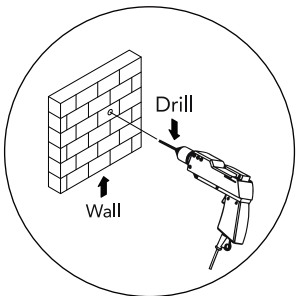
Lx12



Step 22

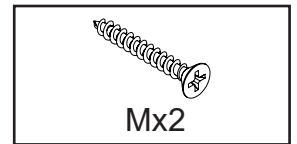
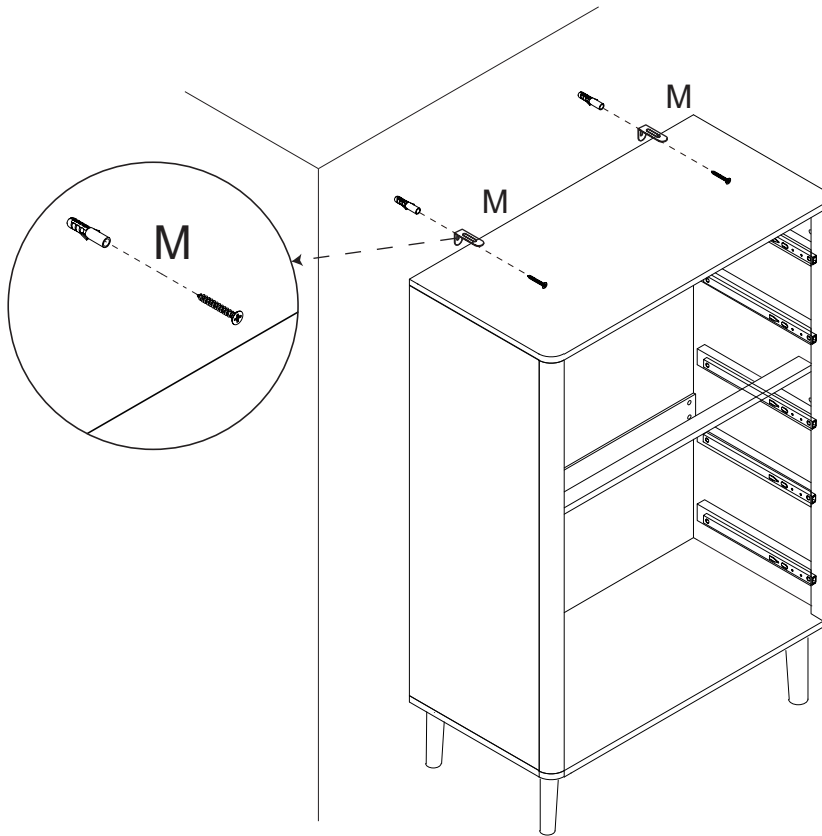


Mx2



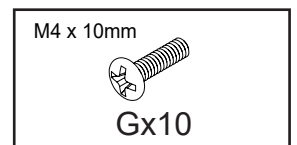
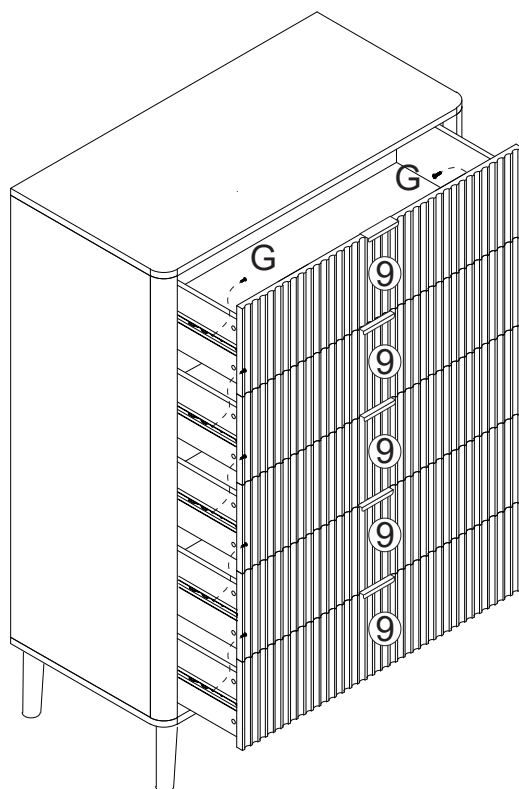
- Move the buffet cabinet to its final position against the wall.
- Mark two drilling points on the wall through the holes of the anti-tip bracket.
- Move the buffet cabinet away and drill two holes at the marked points.
- Insert the wall plugs into the holes.

Step 23



- Move the buffet cabinet back into position and align the anti-tip bracket with the holes.
- Secure the anti-tip brackets to the wall with the screws.

Step 24



NOTE:

- 1. Align the grooves in the drawer sides with the drawer glides on the side panels, then slide the drawer into place.
- 2. Open the drawer and push each drawer glide forward until it is flush with the front panel of the drawer.
- 3. From inside the drawer, locate the hole on the drawer side and secure the glide with a screw.

