

ASSEMBLY INSTRUCTION






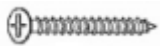

TABLE

Thank you for purchasing the quality product. Be sure to check all packing material carefully for small parts which may have come loose inside the carton during shipment. Separate, identify and count all parts and metal hardware. Compare with all parts list to be sure all parts are present. If any part(s) are missing or damaged, please contact your local furniture dealer. For efficient and speedy service, please indicate the model number and code letter of part(s) needed.

*****Do not fully tighten screws until fully assembled*****

DESCRIPTION	COMPONENT PARTS	
	PART NAME	Q'TY (PCS)
A	TABLE TOP	1
B1	RIGHT SHELF LEG	1
B2	LEFT SHELF LEG	1
C1	RIGHT CENTER LEG	1
C2	LEFT CENTER LEG	1
D1	RIGHT CENTER LEG	1
D2	RIGHT LEG	1
E	LEFT LEG	6
F	ROUND STRETCHER	3
G	SHELF	2
H	LONG STRETCHER	1

HAREWARES REQUIRED

L		JCBC SCREW M6 X 60MM - 10 PCS
M		JCBC SCREW M6 X 40MM - 4 PCS
N		FLAT WASHER - 12 PCS
O		SPRING WASHER - 12 PCS
P		BARREL NUT M6 X 12MM - 2 PCS
Q		CSK SCREW M4 X 38MM - 16 PCS
R		ALLEN KEY (SHARE WITH STOOL)

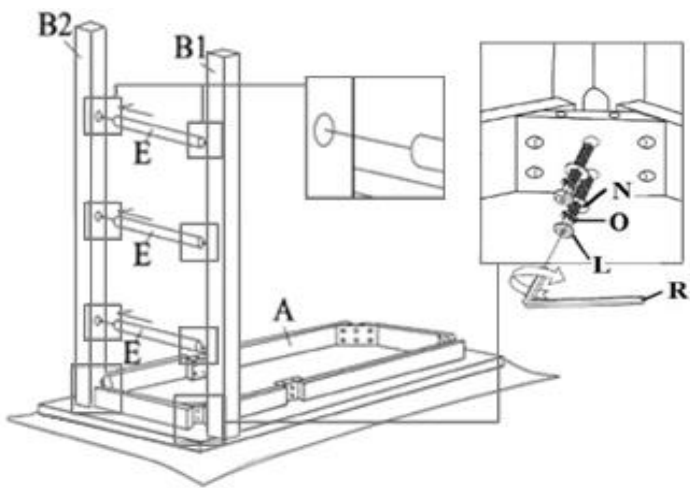
Attention:

*** Some number parts listed on the instruction sheet may not be in parts bag as they may already be assembled.

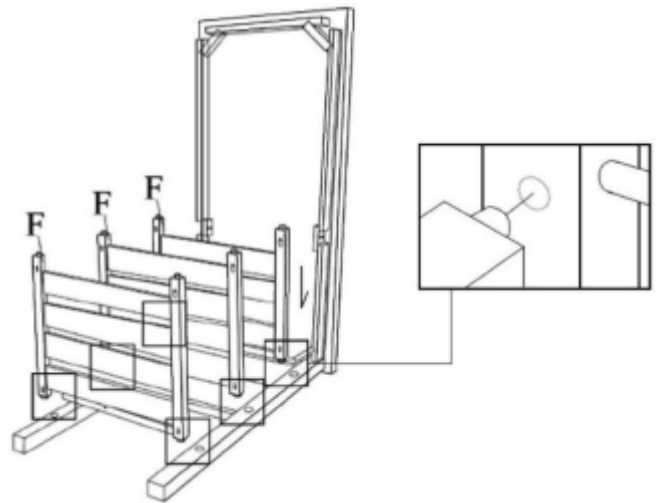
Carefully check parts and packing materials prior to ordering replacements.

How to assemble:

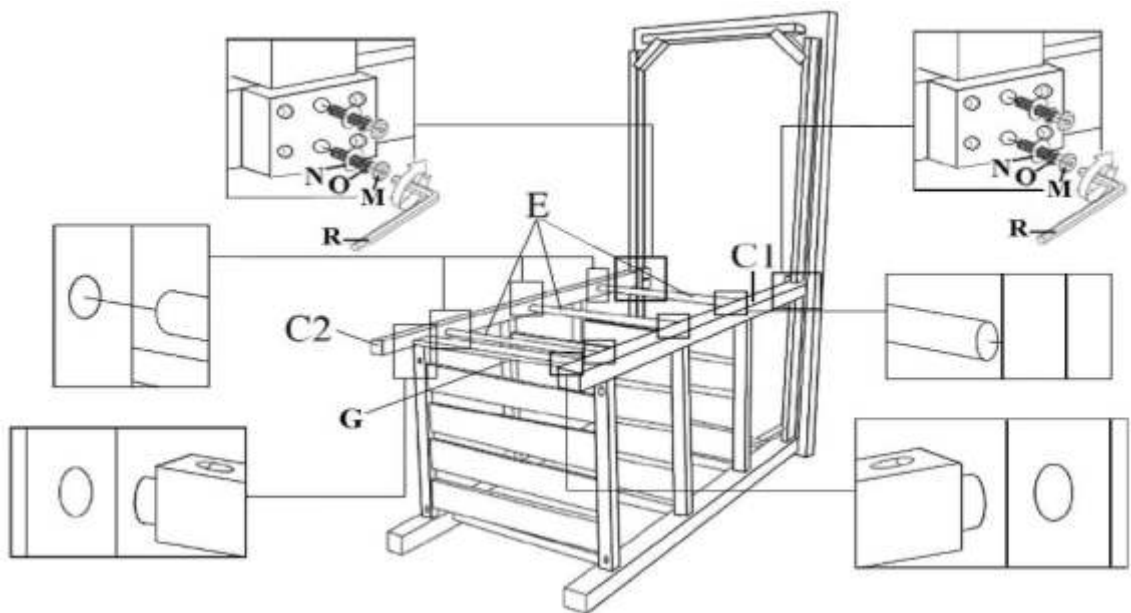
STEP 1:



STEP 2:

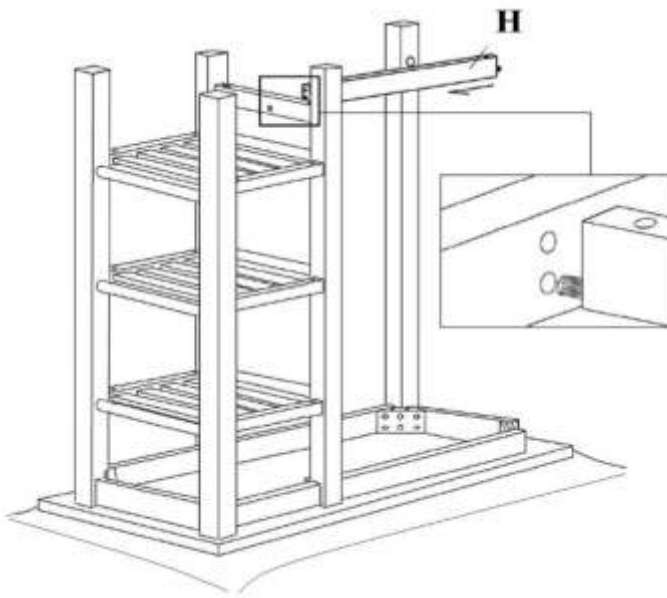


STEP 3:

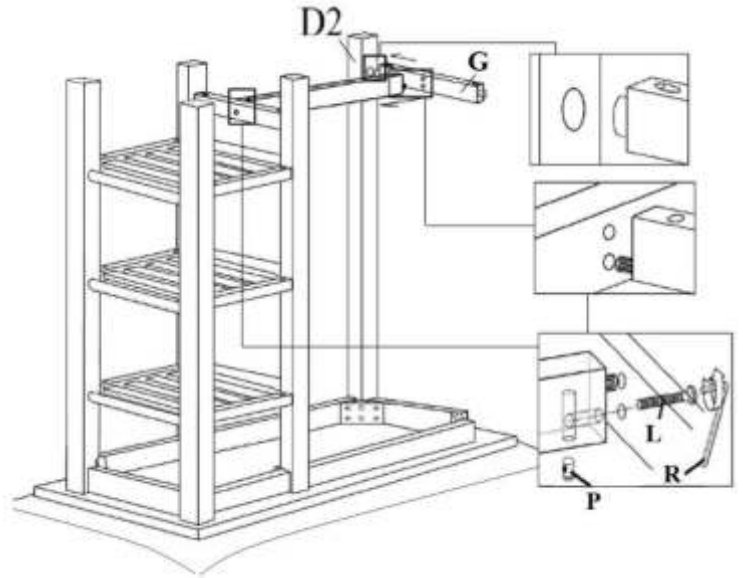


How to assemble:

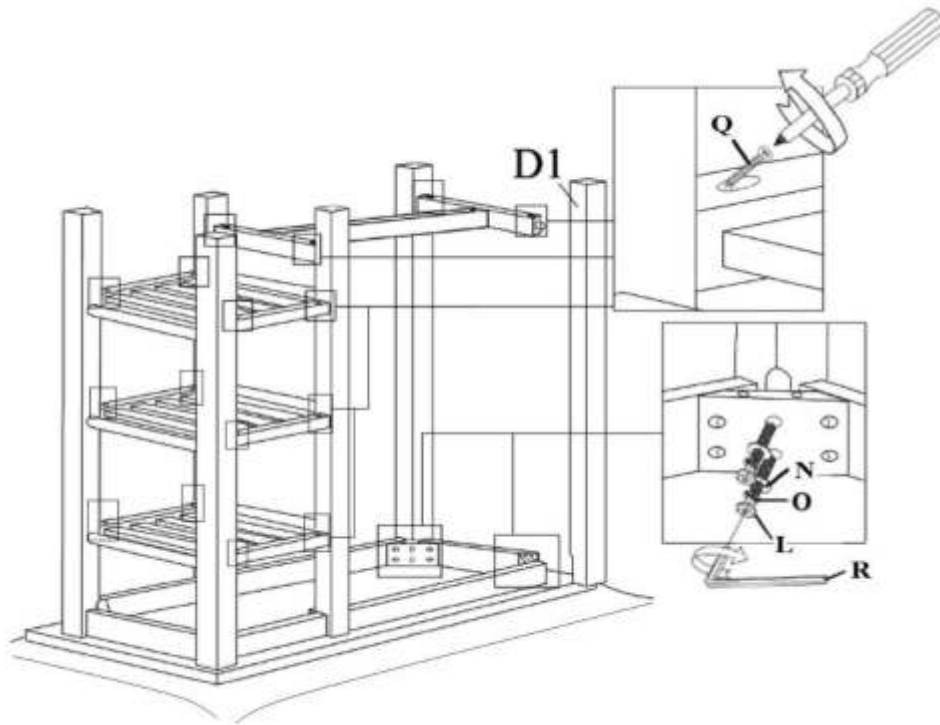
STEP 4 :



STEP 5:



STEP 6:



ASSEMBLY INSTRUCTION





STOOL

Thank you for purchasing the quality product. Be sure to check all packing material carefully for small parts which may have come loose inside the carton during shipment. Separate, identify and count all parts and metal hardware. Compare with all parts list to be sure all parts are present. If any part(s) are missing or damaged, please contact your local furniture dealer. For efficient and speedy service, please indicate the model number and code letter of part(s) needed.

*****Do not fully tighten screws until fully assembled*****

	COMPONENT PARTS	
DESCRIPTION	PART NAME	Q'TY (PCS)
I	SEATER	2
J	LEG FRAME	4
K	STRETCHER	4

HAREWARES REQUIRED

- Q  CSK M4 X 38MM - 8 PCS
- R  ALLEN KEY (SHARE WITH TABLE) - 1 PC
- S  M7 X 50 - JCBC - W SCREW - 8 PCS
- T  WOOD BUTTON - 8 PCS

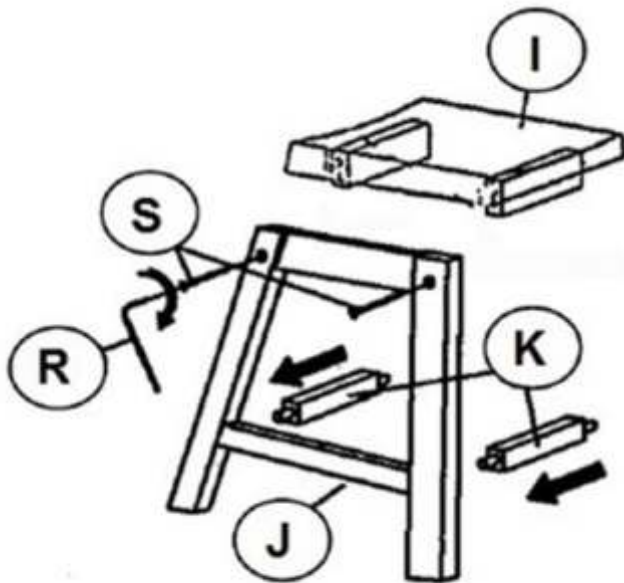
Attention:

*** Some number parts listed on the instruction sheet may not be in parts bag as they may already be assembled.

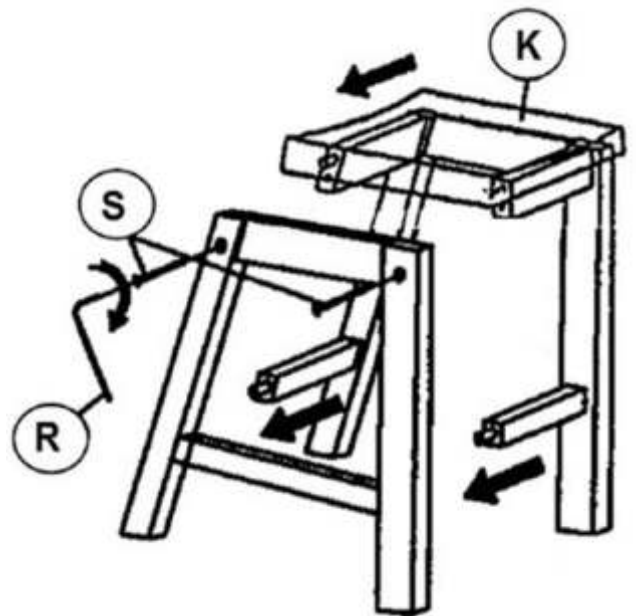
Carefully check parts and packing materials prior to ordering replacements.

How to assemble:

STEP 1:



STEP 2:



STEP 3:

