

BEST QUALITY FURNITURE ASSEMBLY INSTRUCTIONS

Description: Side Chair

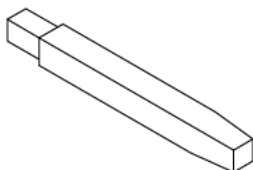
LIST OF PARTS

(A) Seat Frame



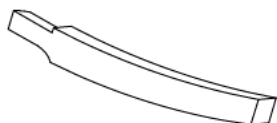
1 pc

(B) Front Leg



2pcs

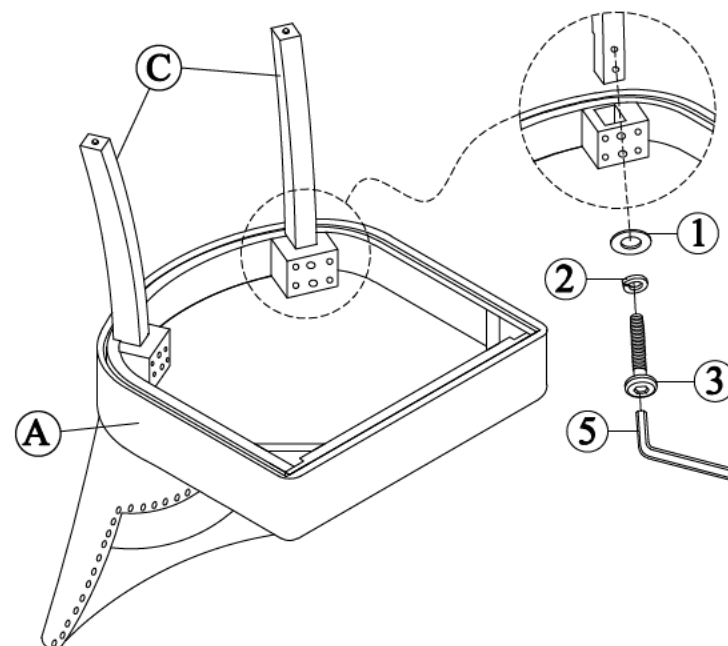
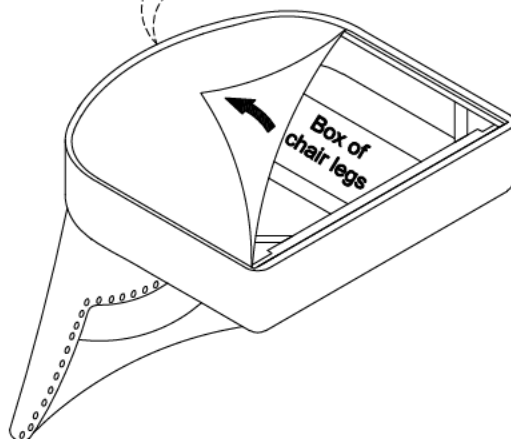
(C) Back Leg



2pcs

Step.1

Note: Uncover the base cloth and take out the Box Of Chair legs



LIST OF HARDWARE

1. Flat Washer



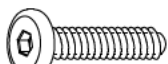
1/4" (8pcs)

2. Spring Washer



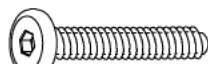
1/4" (8pcs)

3. Short bolt



1/4" x 40mm(4pcs)

4. Long bolt



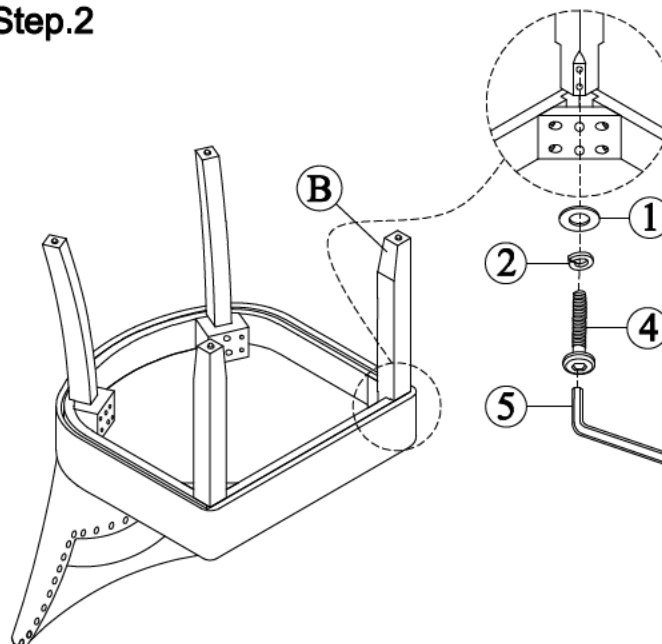
1/4" x 60mm(4pcs)

5. Allen key



1pc

Step.2



Completed

