

ASSEMBLY INSTRUCTIONS
COASTER FINE FURNITURE



Fine Furniture for every stage of life

723329
Sofa Table

ITEM: 723329



ASSEMBLY INSTRUCTIONS

ASSEMBLY TIPS:

1. Remove hardware from box and sort by size.
2. Please check to see that all hardware and parts are present prior to start of assembly.
3. Please follow attached instructions in the same sequence as numbered to assure fast & easy assembly.



WARNING!

1. Don't attempt to repair or modify parts that are broken or defective. Please contact the store immediately.
2. This product is for home use only and not intended for commercial establishments.



ASSEMBLY TIME

15 MINUTES

PARTS IDENTIFICATION

| | | | |
|---|---------------------------------|--|------|
| A | TOP | | 1PC |
| B | LEG | | 4PCS |
| C | SHELF | | 1PC |
| D | CENTER LEG SUPPORT WITH LEVELER | | 1PC |

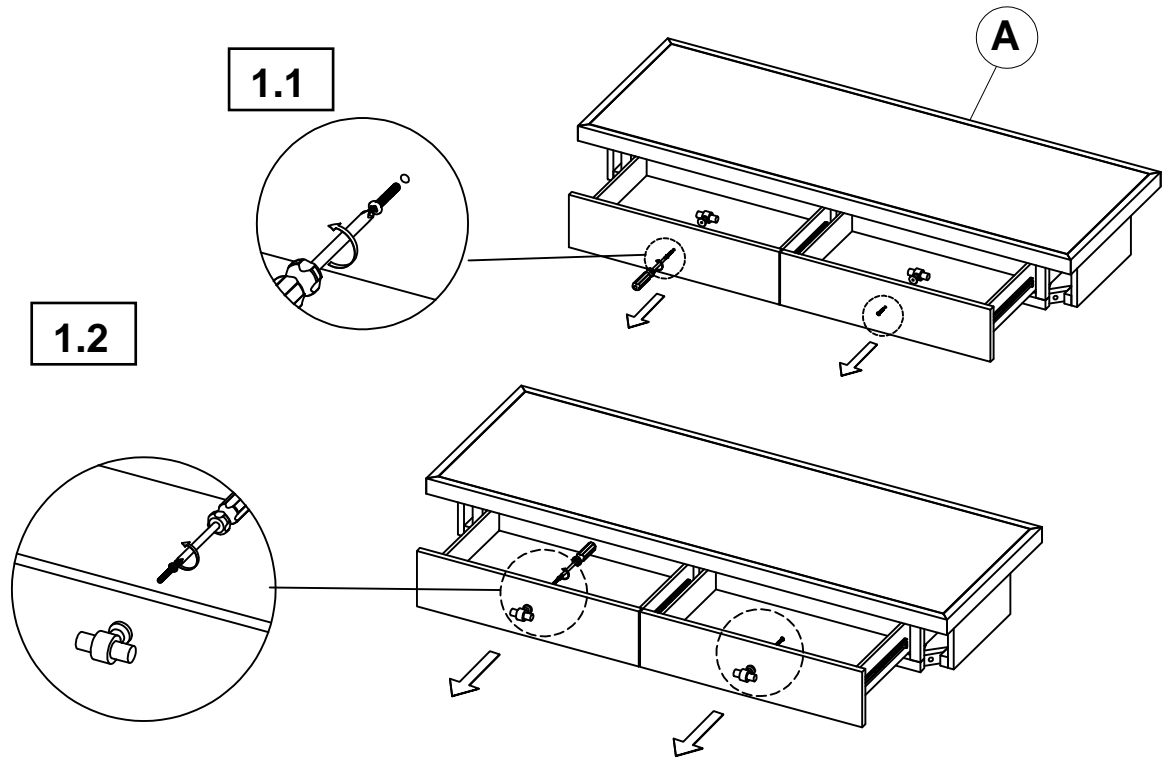
HARDWARE IDENTIFICATION

| | | | |
|---|------------------------------------|--|-------|
| 1 | LONG BOLT (1/4" x 50mm - RKW) | | 12PCS |
| 2 | LOCK WASHER (1/4" x 14mm - BLK) | | 12PCS |
| 3 | FLAT WASHER (1/4" x 19mm - BLK) | | 12PCS |
| 4 | ALLEN WRENCH (4mm x 64mm - BLK) | | 1PC |

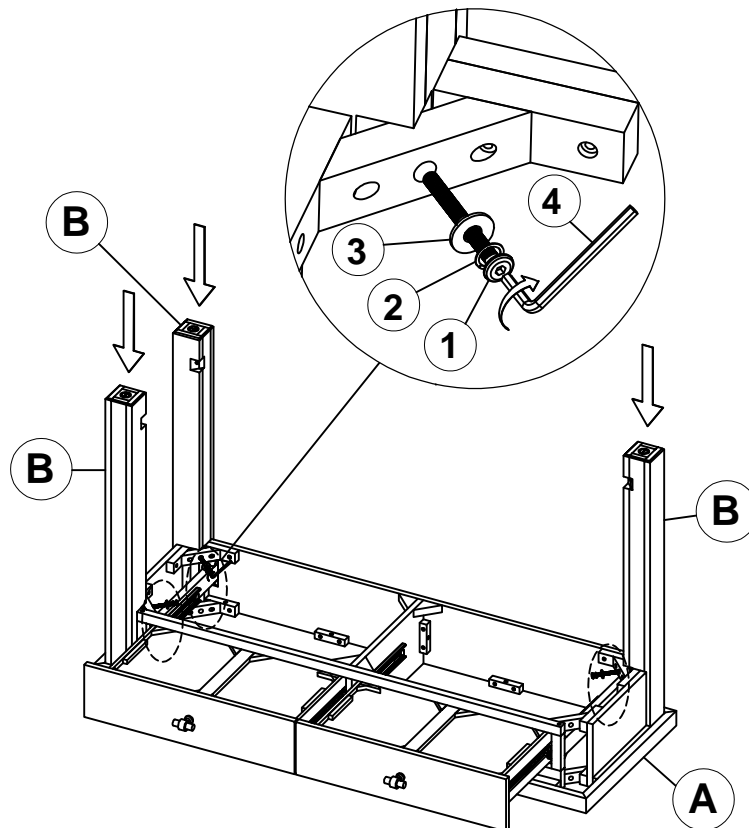
ITEM: **723329**

ASSEMBLY INSTRUCTIONS

STEP 1



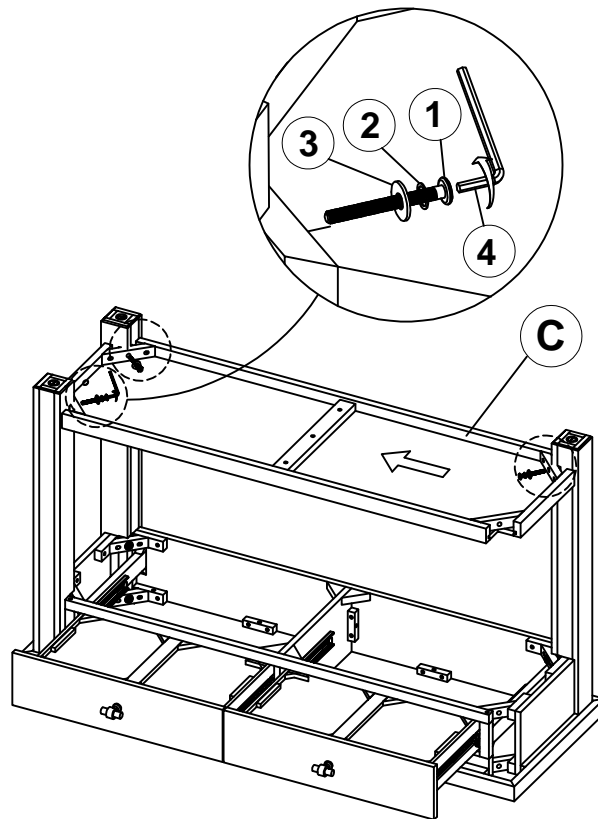
STEP 2



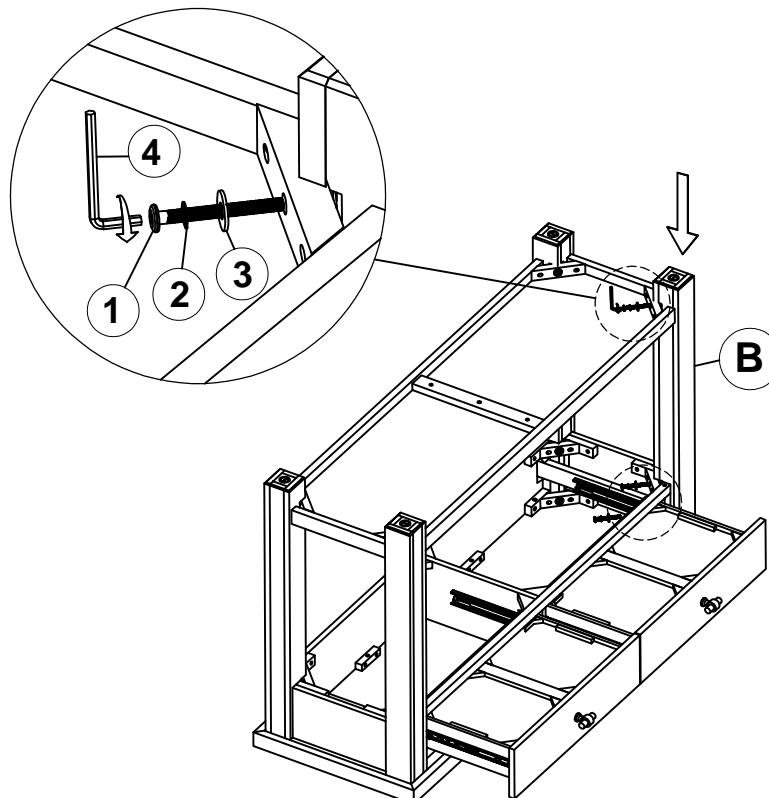
ITEM: **723329**

ASSEMBLY INSTRUCTIONS

STEP 3



STEP 4

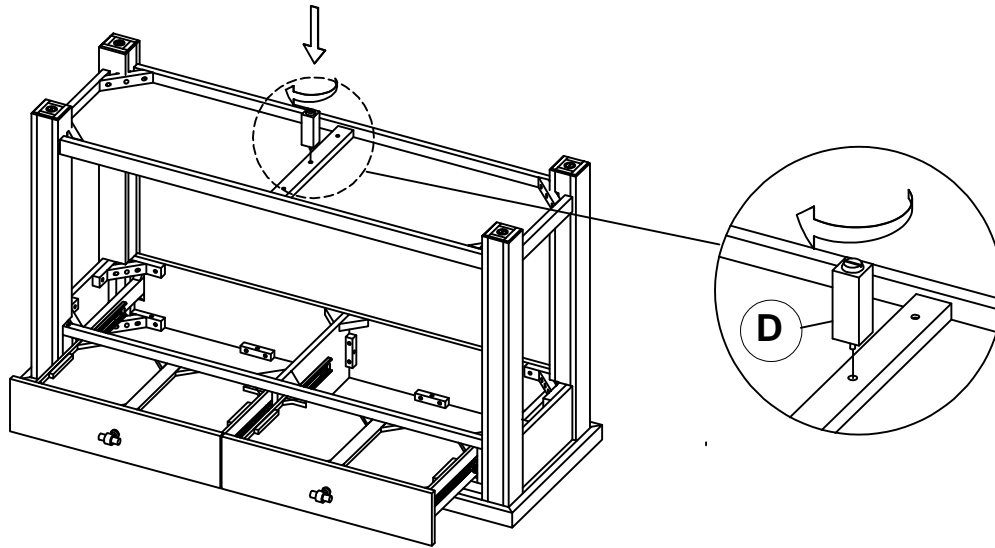


ITEM: **723329**

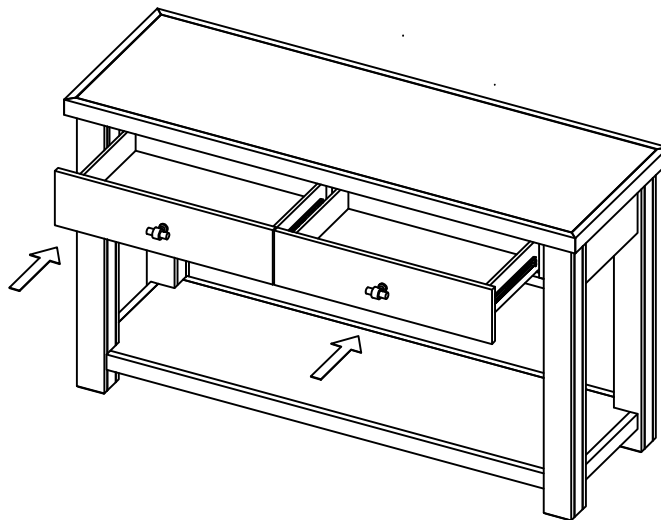
ASSEMBLY INSTRUCTIONS



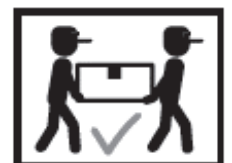
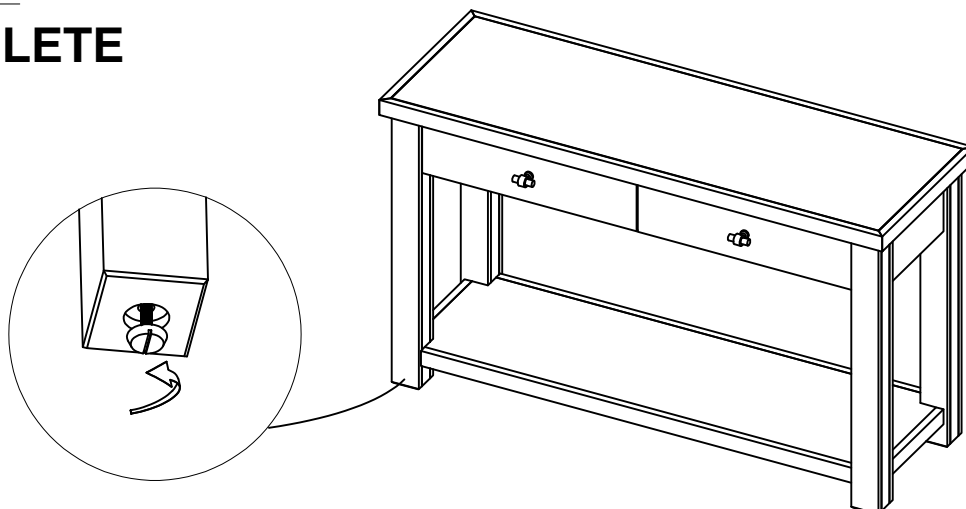
STEP 5



STEP 6



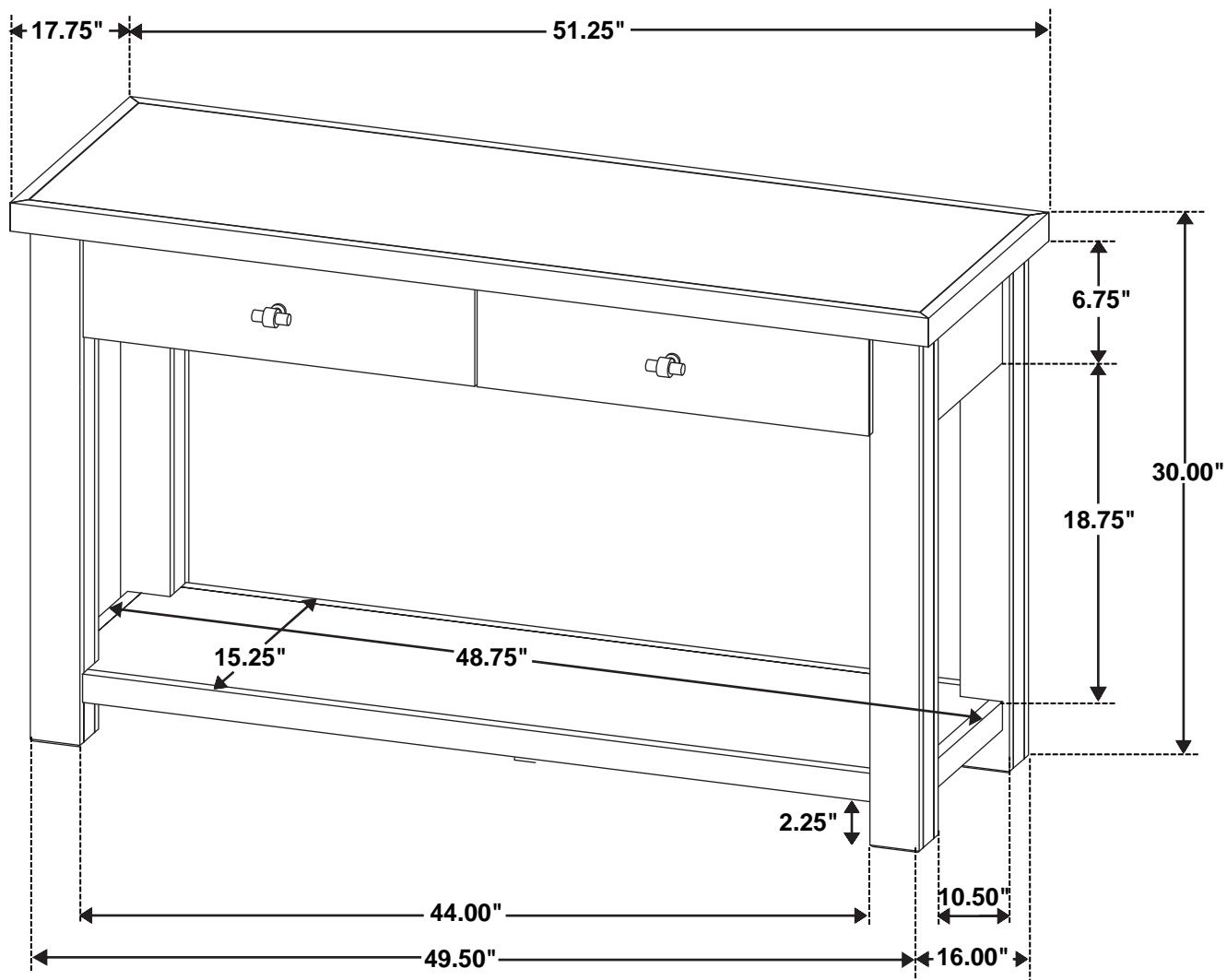
STEP 7
COMPLETE



ITEM: 723329



Inner Size of Drawer: 18.75"W x 11.25"D x 3.25"H x 0.50"T



Note: Dimension tolerance $\pm 5\%$