

4063

LED-UL



Project name:

Date:

Specifier:

Line: Faceted

Family: Wall

Description: Faceted Accord Wall Lamp 4063

Material: Natural Wood Veneer MDF and Acrylic

Weight:

Integrated LED Module 1 unit Driver housed in the Junction box  
Dimmable, 0-10V & TRIAC/ELV

Color Temperature: 2700K, 3000K or 3500K

CRI: 90

Luminous Flux: 1100lm

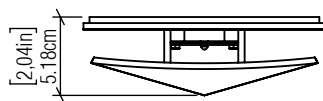
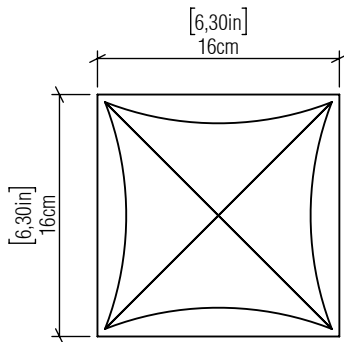
Delivered Lumens: 550lm

Total Power: 8,1W

Input Voltage: 110V - 277V

Input Frequency:

Isolation: Class II



#### FINISHING OPTION:

	02 MATTE BLACK		27 GOLD
	06 IMBUIA		29 TEAL
	07 WHITE		30 OLIVE GREEN
	09 LOURO FREIJÓ		31 FERRARI RED
	12 TEAK		32 COPPER
	15 CAPPUCCINO		33 BRONZE
	18 AMERICAN WALNUT		34 MAPLE
	22 GLOSSY BLACK		38 PALE GOLD
	25 IREDESCENT WHITE		39 LEAD GREY
	26 LIGHT PINK		40 SATIN BLUE