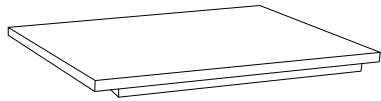


ASSEMBLY INSTRUCTION



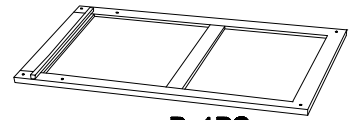
Ax1PC



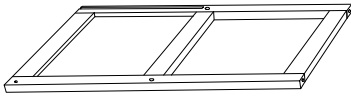
Bx1PC



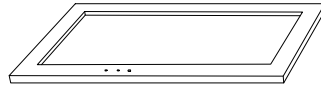
Cx1PC



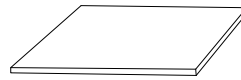
Dx1PC



Ex1PC



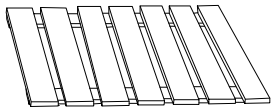
Fx1PC



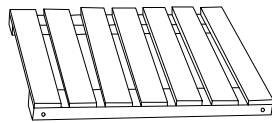
Gx1PC



Hx1PC



Ix1PC



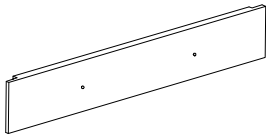
Jx1PC



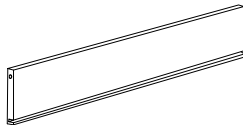
Kx1PC



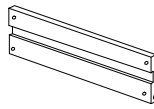
Lx1PC



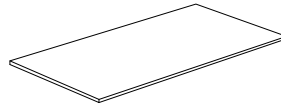
Mx1PC



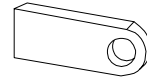
Nx1PC



Ox2PCS



Px1PC



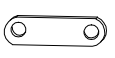
Qx2PCS



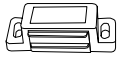
Rx1PC



ax3pcs



bx1pc



cx1pc



dx2pcs



ex22pcs



fx11pcs



gx3pcs



hx2pcs



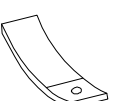
ix1pc



jx2pcs

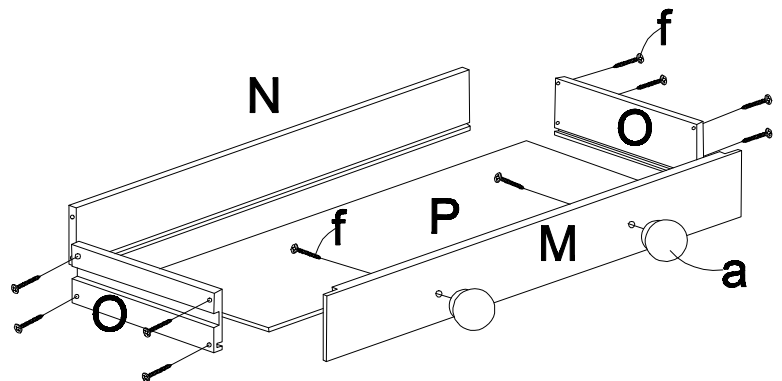
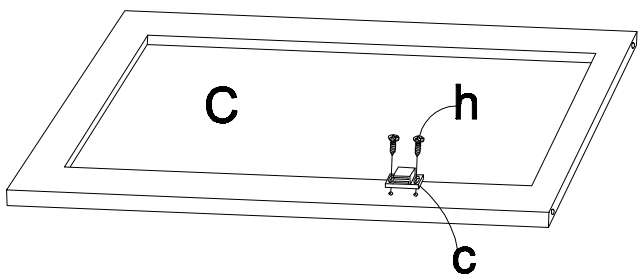
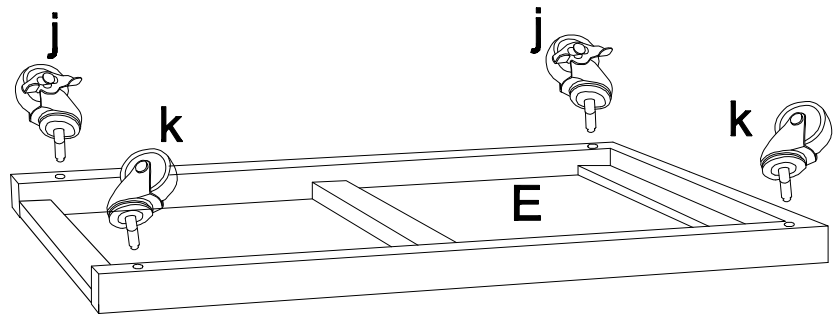
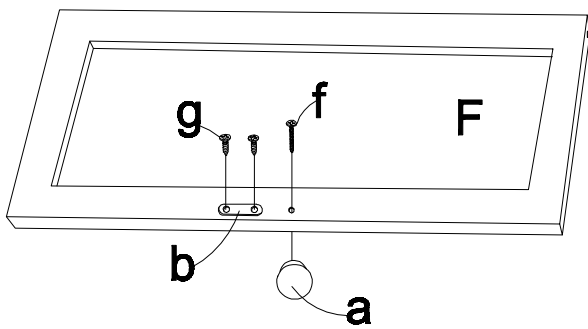


kx2pcs

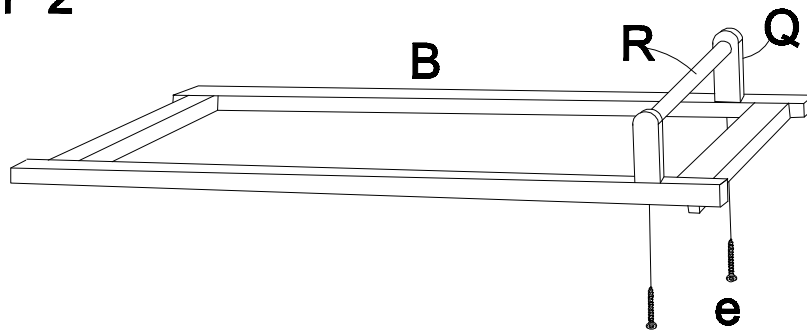


lx1pc

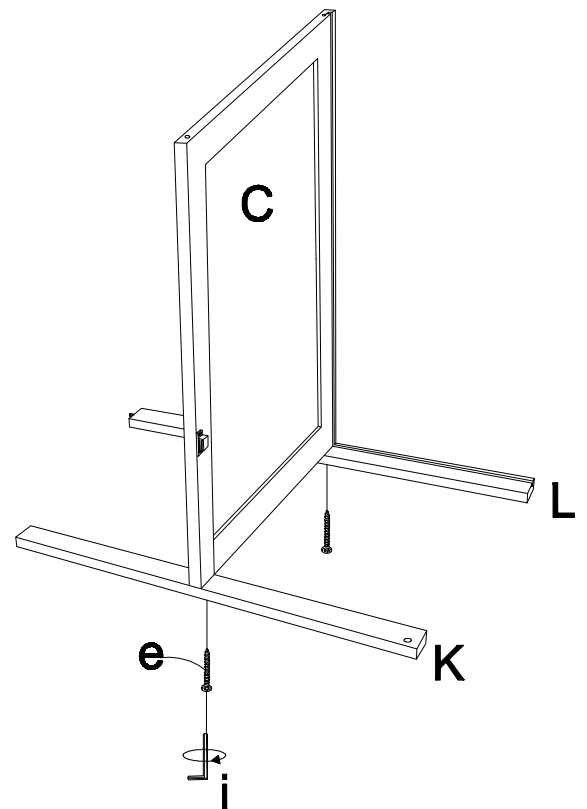
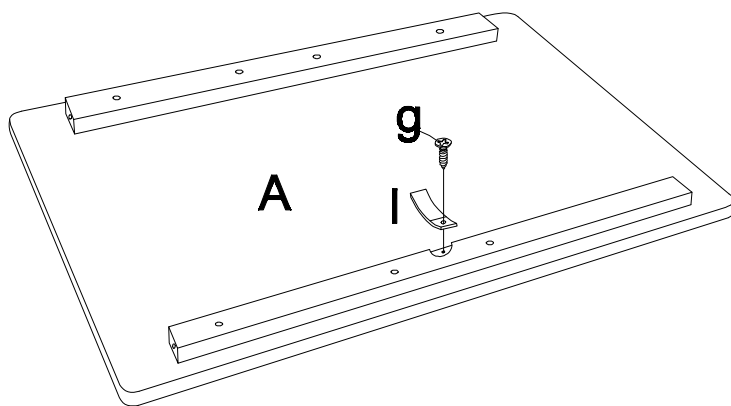
STEP 1



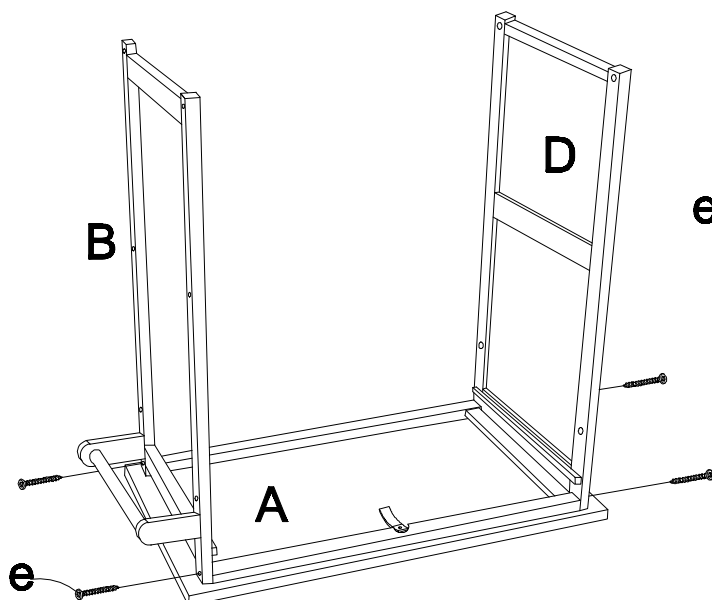
STEP 2



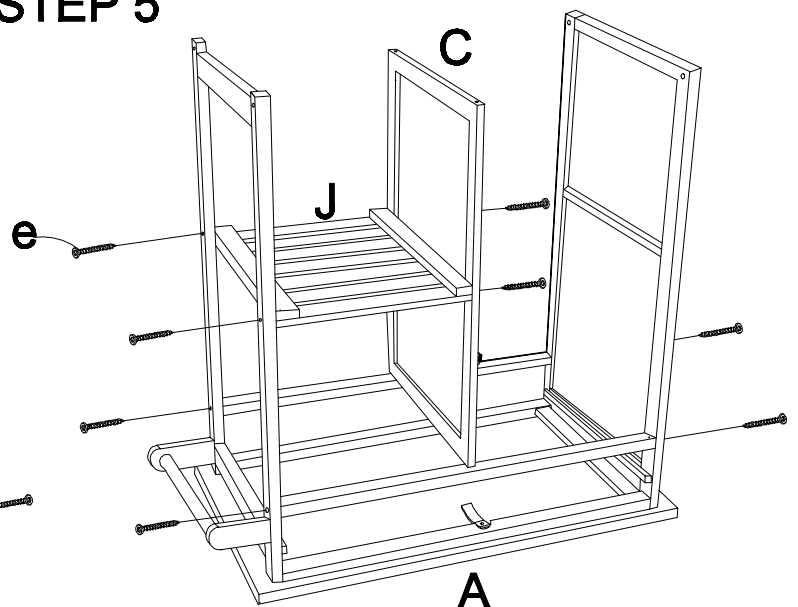
STEP 3



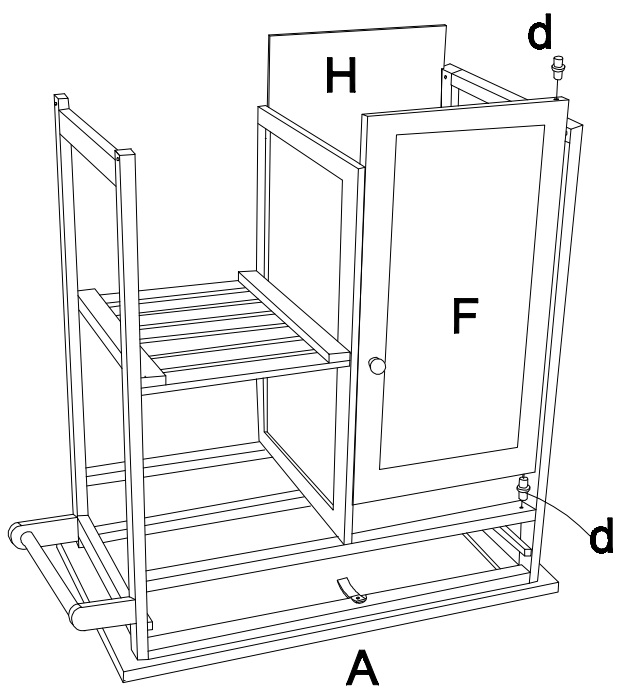
STEP 4



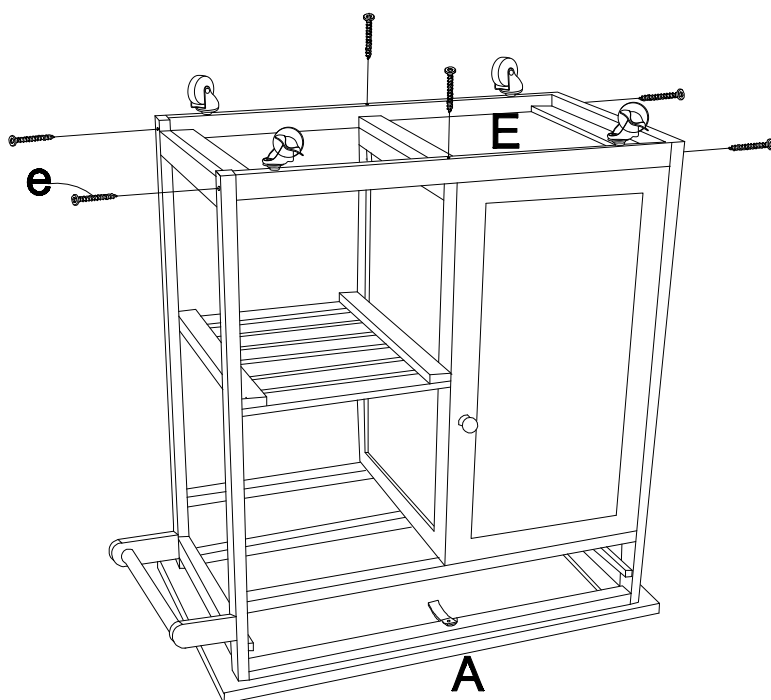
STEP 5



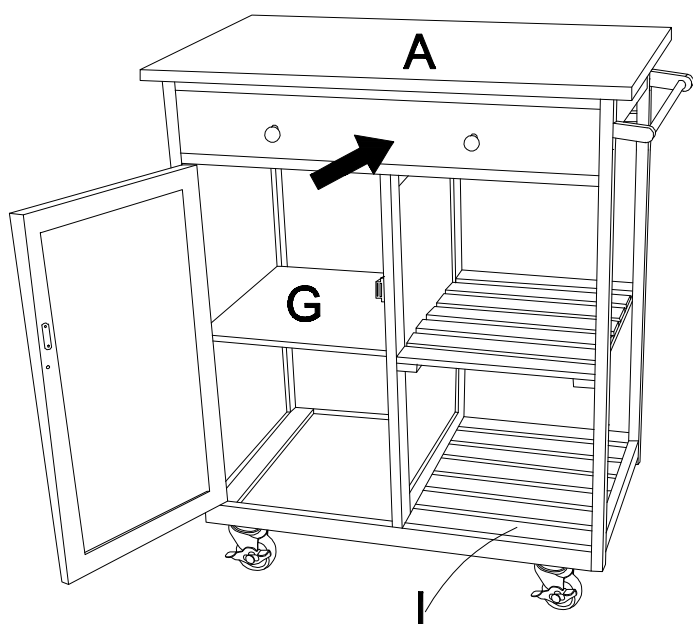
STEP 6



STEP 7



STEP 8



STEP 9

