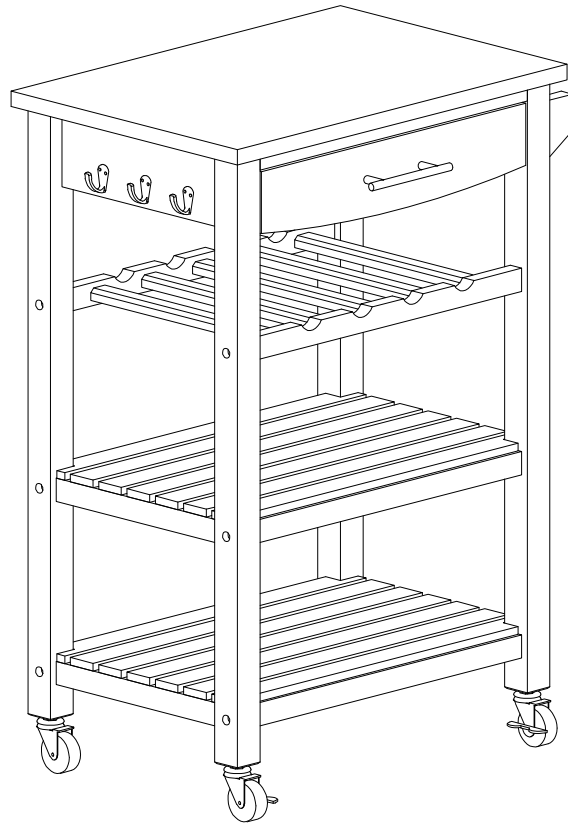


CONVENIENCE CONCEPTS

ELLAINE KITCHEN CART 802233



Assembly instructions

We have designed our furniture with you, the customer in mind. Our clear, easy to follow step by step instructions will guide you through the project from start to finish. Feel confident that this will be a fun and rewarding project. The final product will be a quality piece of furniture that will go together smoothly and give years of enjoyment.

Please do not return to the store
Broken or missing Hardware? Need help
with Assembly?



Our Illinois based customer service team is ready to help with any problems or questions you may have. Please give us a call (Toll Free) at 1-800-468-6447, or email us at parts@convenience-concepts.com.



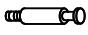



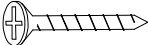




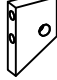

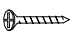



Normal hours of Operation: M - F* 8 am - 4 pm CST


* Excludes Holidays.

This product's warranty is only valid through authorized dealers.

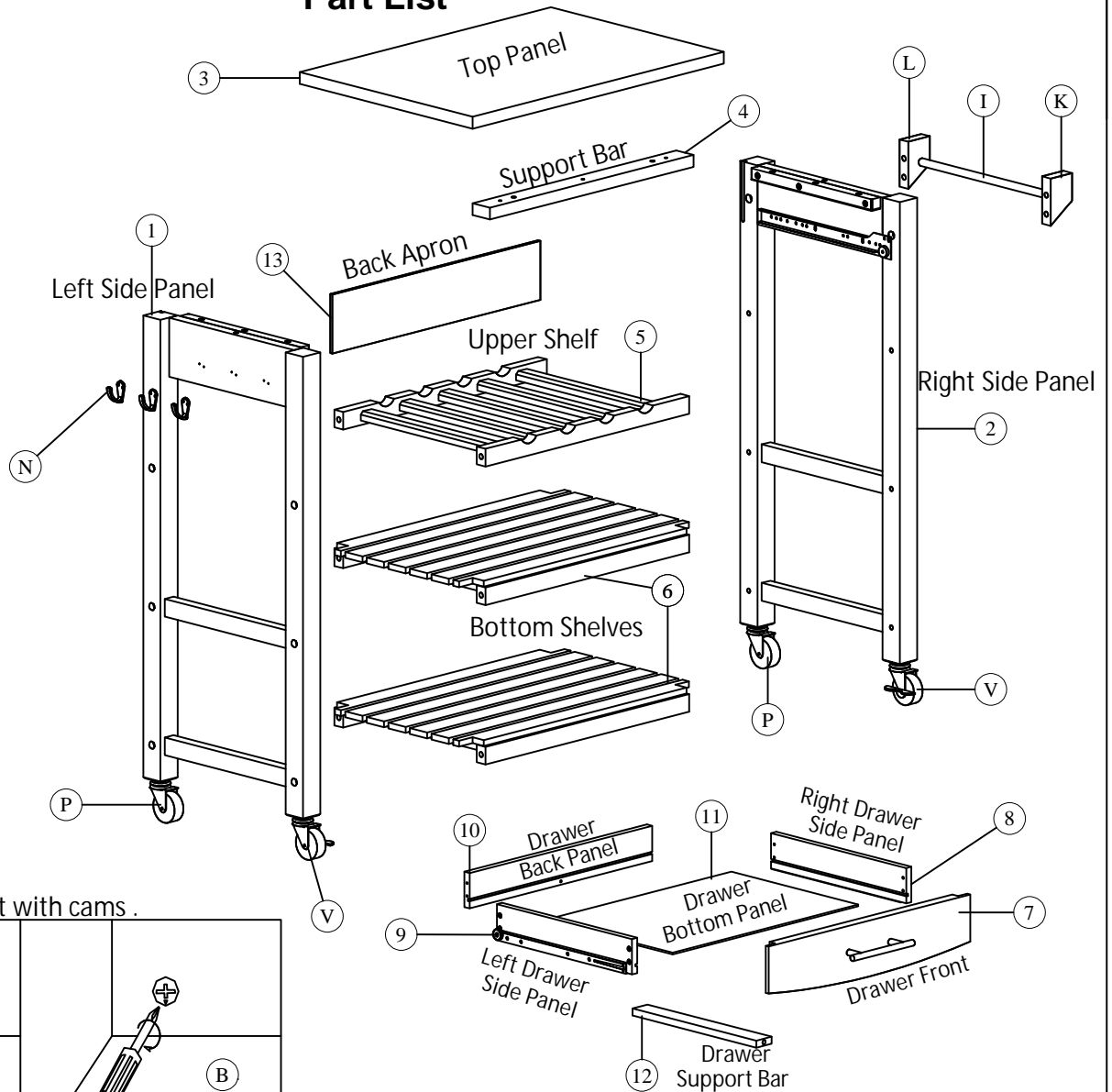
Please verify all parts are present before beginning assembly

Hardware List

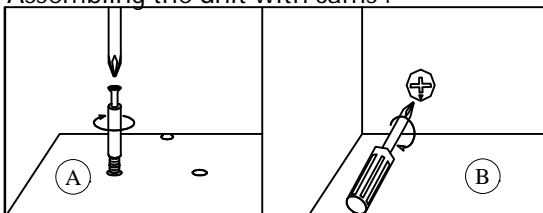
(A) 	(B) 	(C) 	(D) 	(E) 	(F) 
Long Allen Bolt (14pcs)	Allen Wrench (1 pcs)	Cambolt (1 pcs)	Cam lock (1 pcs)	Handle (1 pcs)	Small Bolt (2 pcs)
(G) 	(H) 	(I) 	(J) 	(K) 	(L) 
Large Screws (9 pcs)	Wooden Plugs (12pcs)	Towel Bar (1 pcs)	Wooden dowels (6 pcs)	Left towel bar mount (1pcs)	Right towel bar mount (1pcs)
(M) 	(N) 	(O) 	(P) 	(V) 	(X) 
Medium Screws (3pcs)	Hook (3pcs)	Small Screws (6pcs)	Wheel (2pcs)	Locking Wheel (2pcs)	Wrench (1pcs)

(Y) 
Short Allen Bolt (6pcs)

Part List

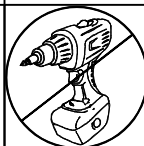


Assembling the unit with cams.



Gently screw cam bolt into the panel.

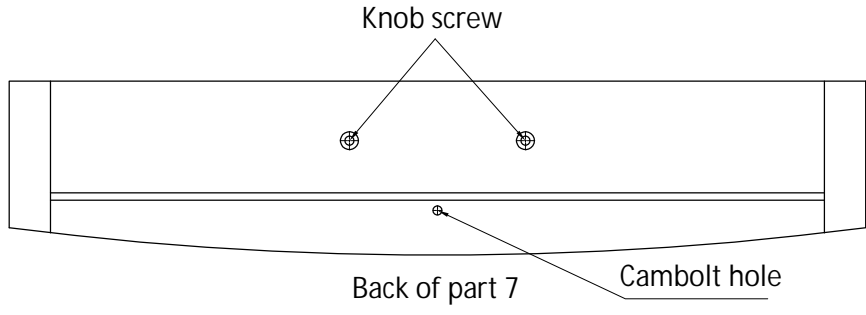
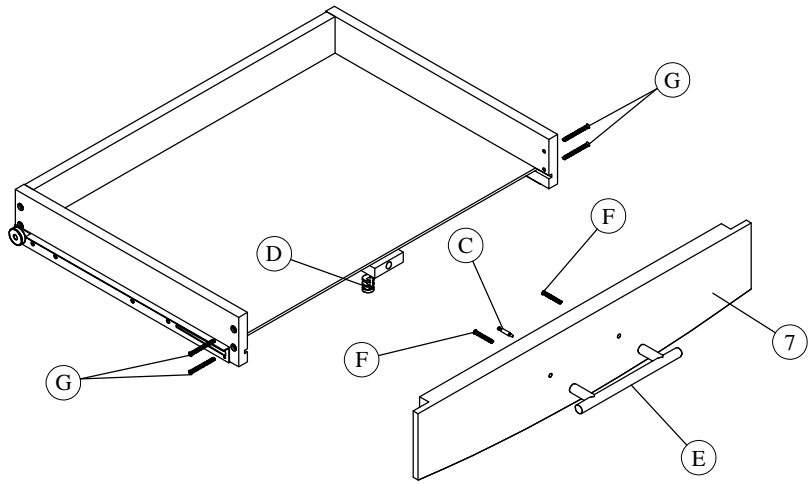
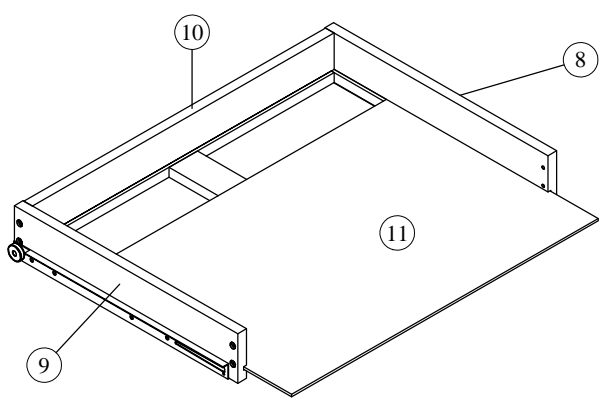
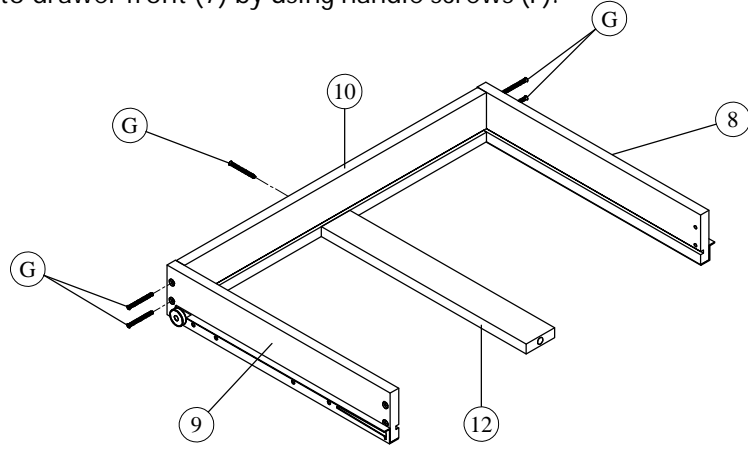
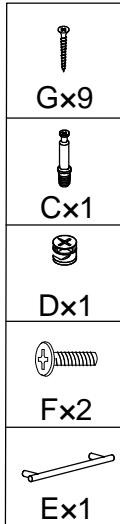
Insert cam lock with arrow pointing down. Screw the cam firmly into locked position.



Please do not use any power tools in the assembly of this item. Use of power tools may cause damage and void manufacture warranty.

Step 1

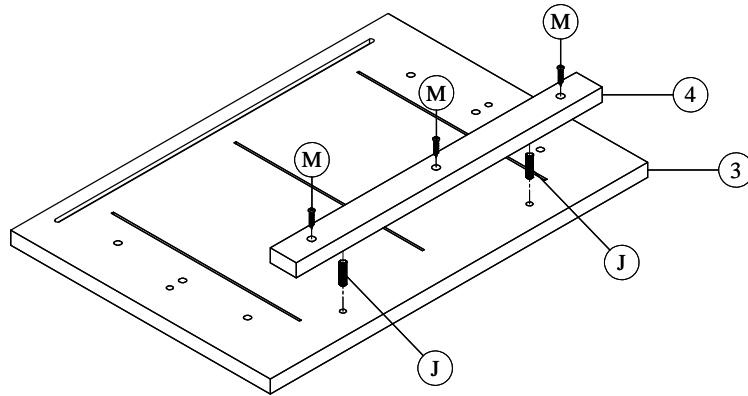
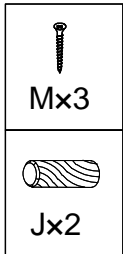
1. Attach drawer side panels (8) & (9) and drawer bottom support bar (12) to drawer back panel (10) using large screws (G).
2. Insert drawer bottom panel (11) into grooves of drawer assembly.
3. Screw cambolt (C) into drawer front (7).
4. Connect drawer front (7) to assembly by using camlock (D), and large screws(G).
5. Attach handle (E) to drawer front (7) by using handle screws (F).



* Place Table top on carpet or other soft surface *

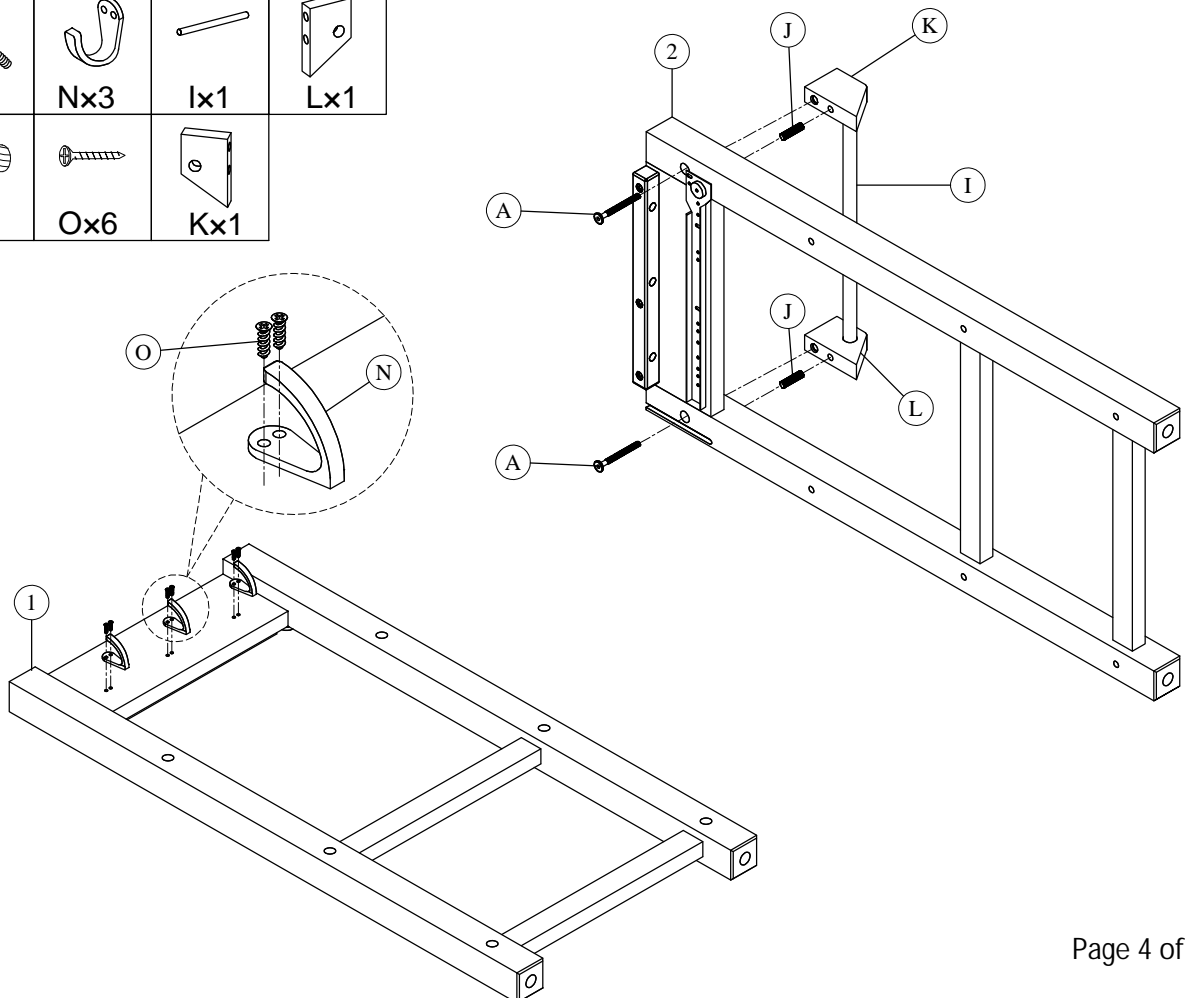
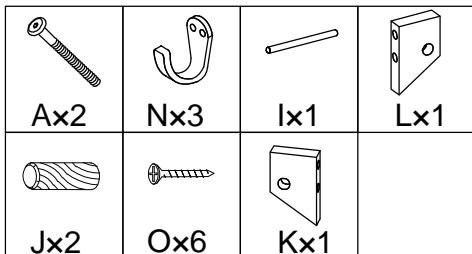
Step 2

1. Attach support bar (4) to Top panel (3) using Wooden dowels (J) and medium screws (M).



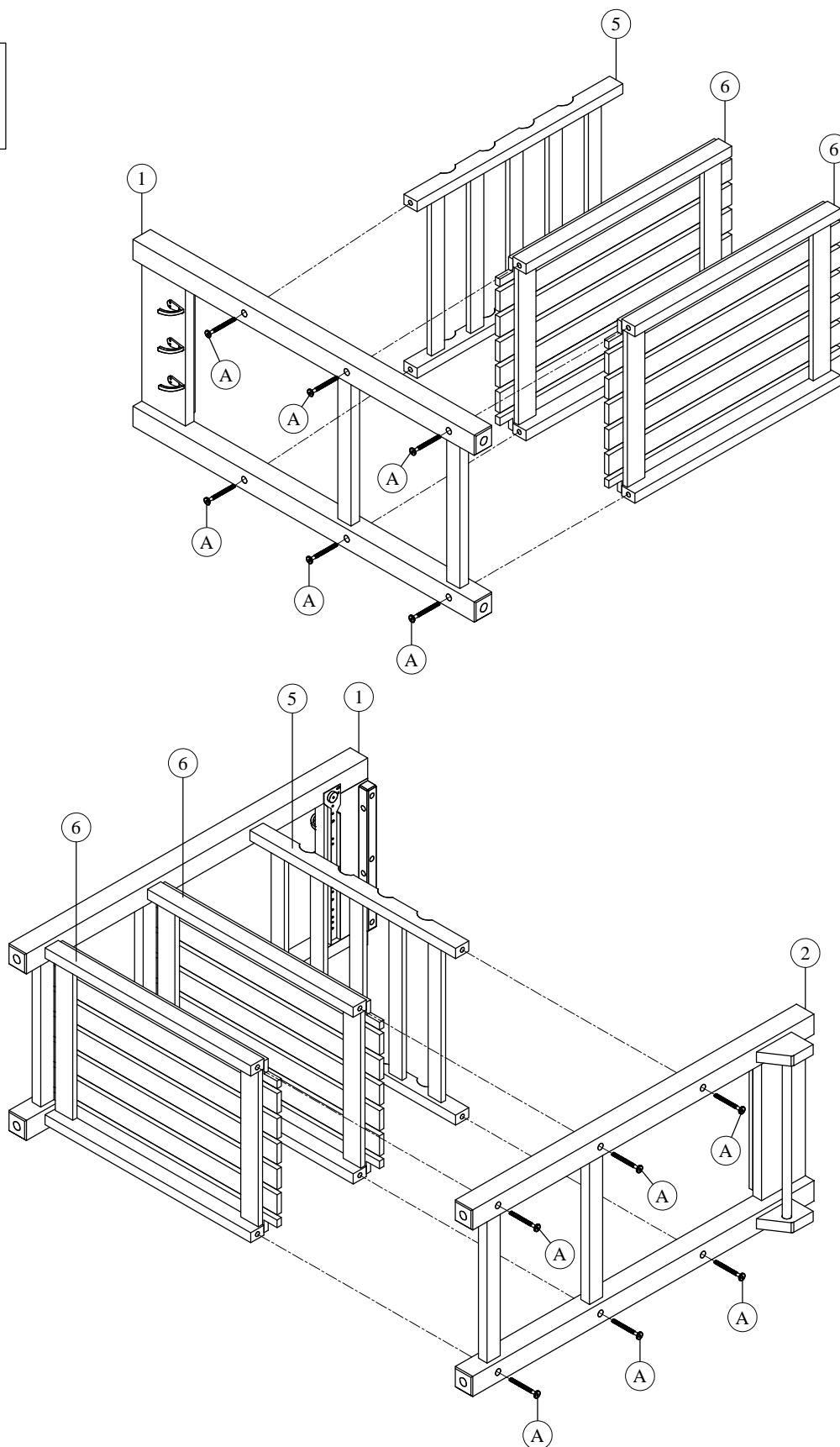
Step 3

1. Attach Towel Bar bar (I), Left towel bar mount (K), Right towel bar mount (L) to Right side panel (2) using Wooden dowels (J) and Long Allen bolts (A).
2. Attach Hooks to Left side panel using Small screws (O).



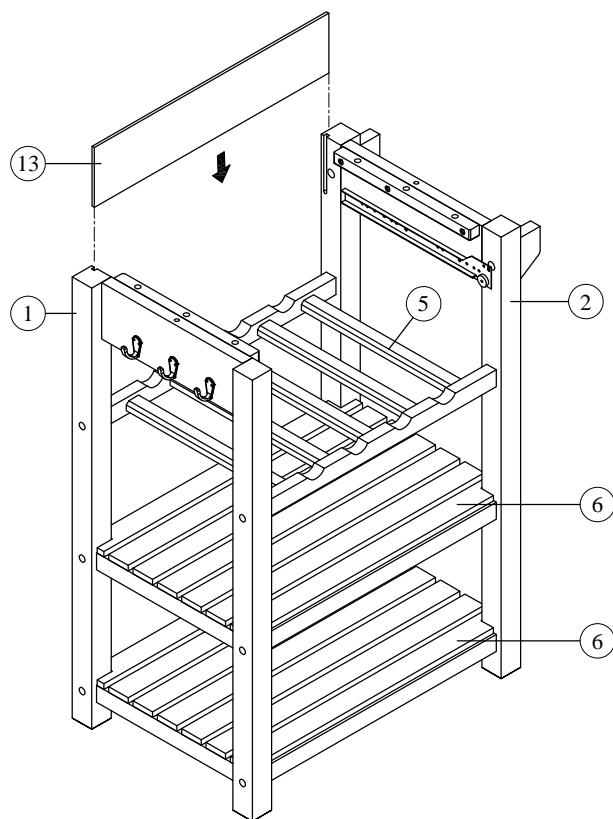
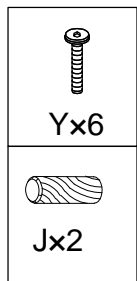
Step 4

1. Connect Left side panel (1) to Upper shelf (5) and Bottom shelves (6) using Long Allen Bolts (A).
2. Connect Right side panel (2) to Upper shelf (5) and Bottom shelves (6) using Long Allen Bolts (A).

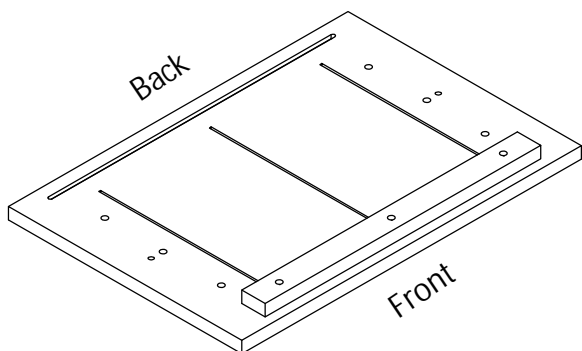
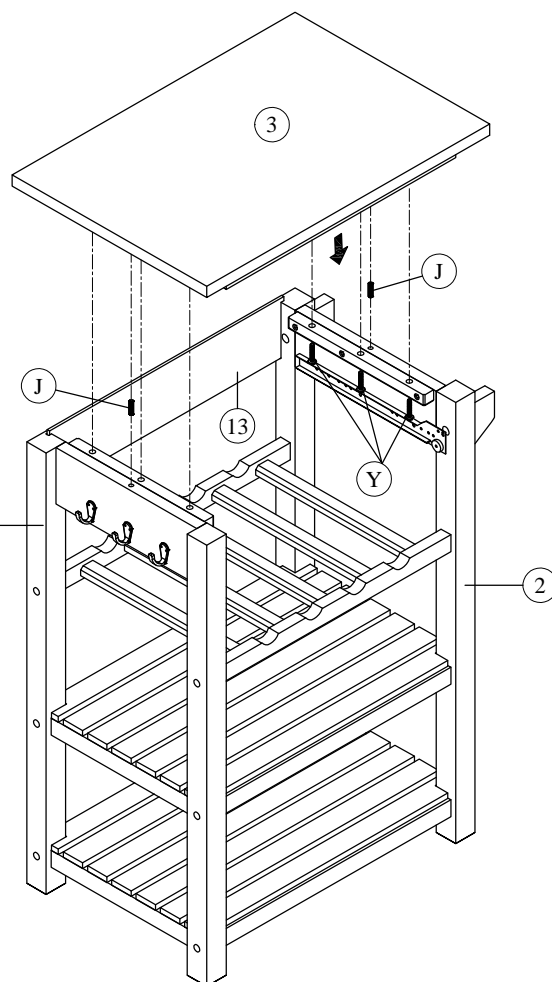


Step 5

1. Insert Back apron (13) into grooves of Left Side Panel (1) and Right Side Panel (2).
2. Connect Top panel (3) to the Unit using Wooden dowels (J), Short Allen Bolts (Y).



* Make sure the back Apron is fully seated into the Top panel before tightening the Short Allen bolts (Y) *

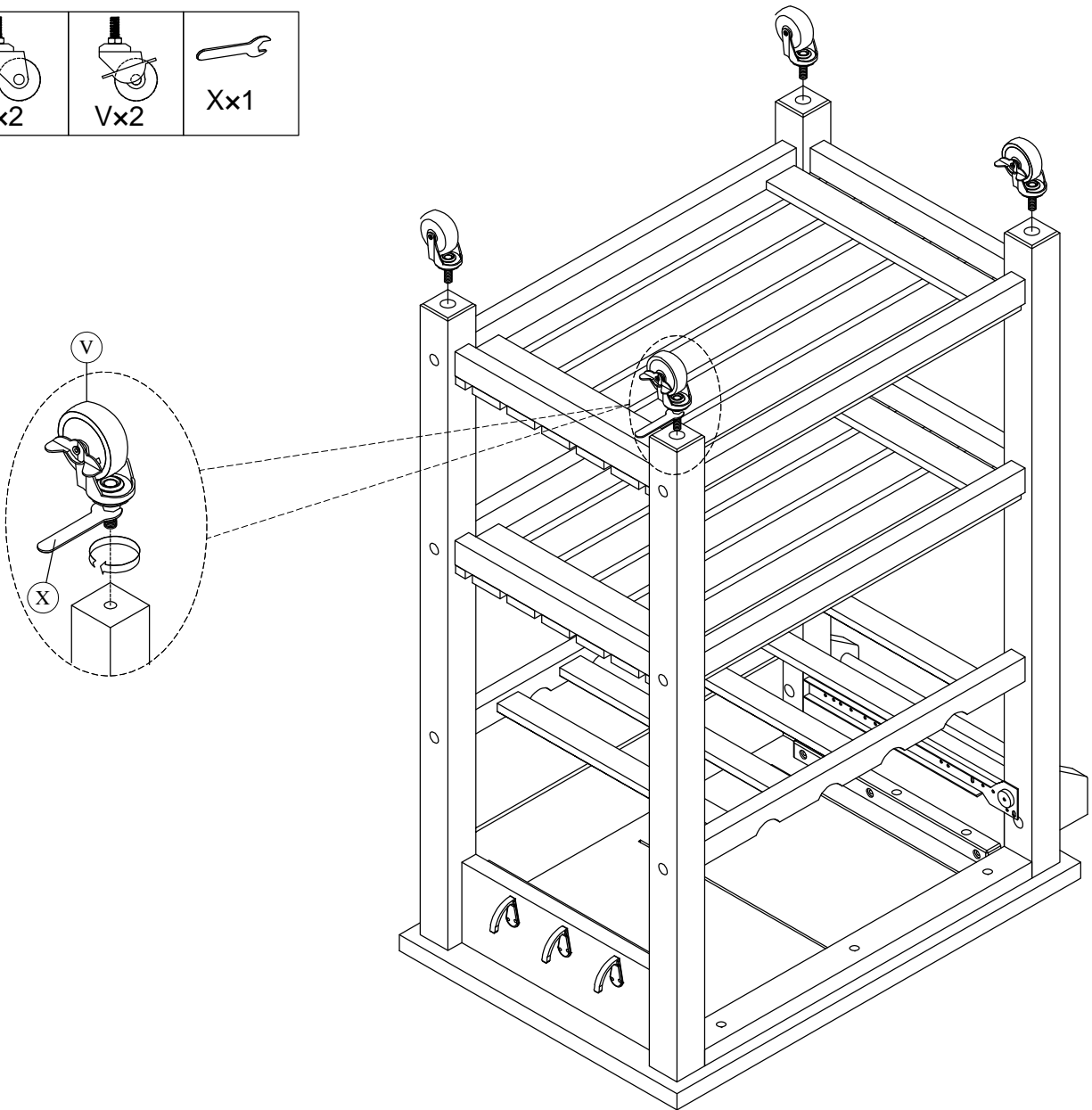
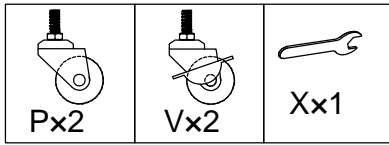


Bottom of part 3

Step 6

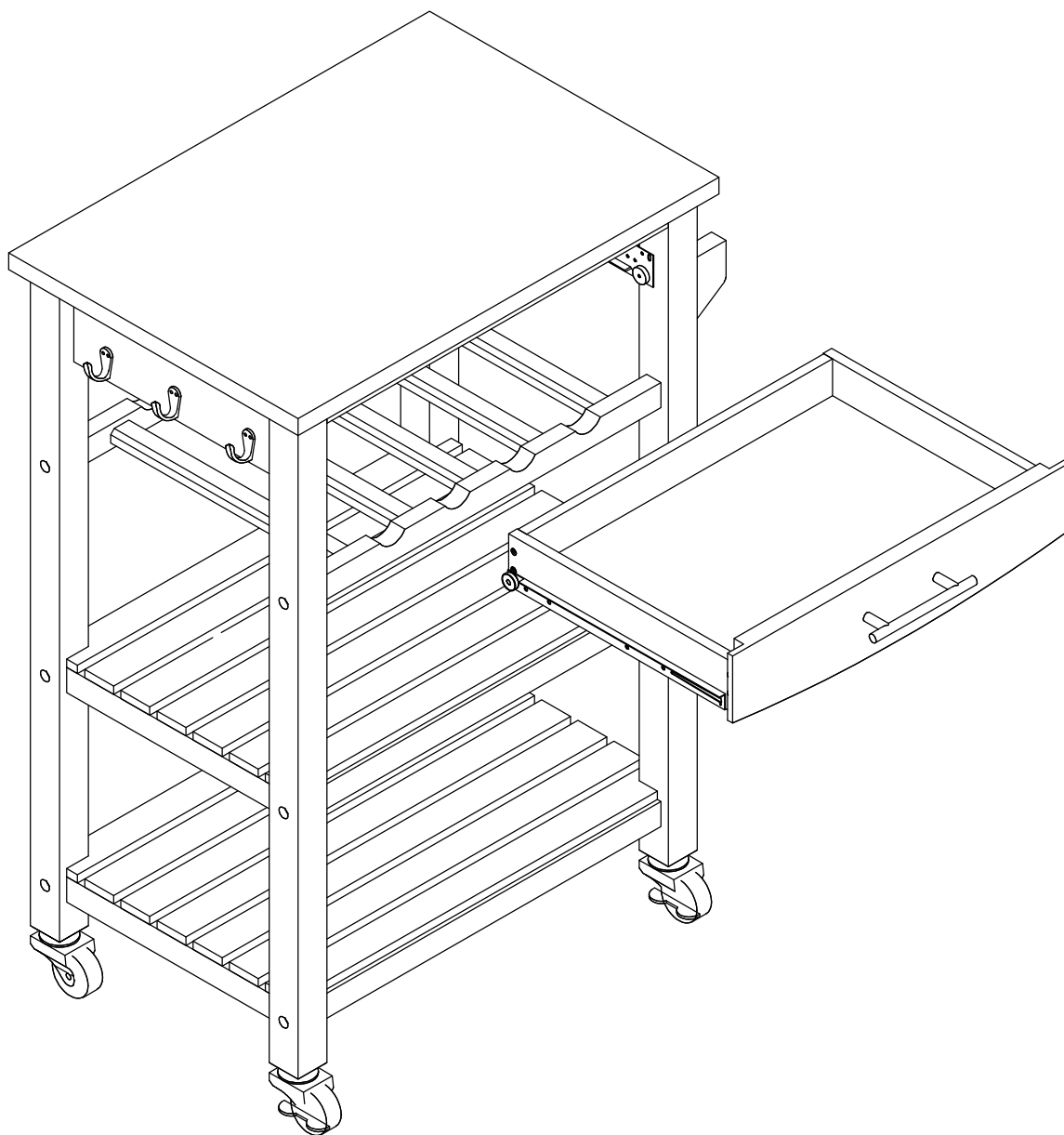
* Place table top on carpet or other soft surface *

1. Attach Locking Wheels (V) to the front of the unit with the Wrench (X) as shown.
2. Attach Wheels (P) to the Back of the unit with the Wrench (X) as shown.



Step 7

1. Carefully Turn over the unit.
2. Carefully insert drawer into unit.



Step 8

1. Insert wooden plugs (H) into Allen bolt holes as shown.
2. Enjoy !

