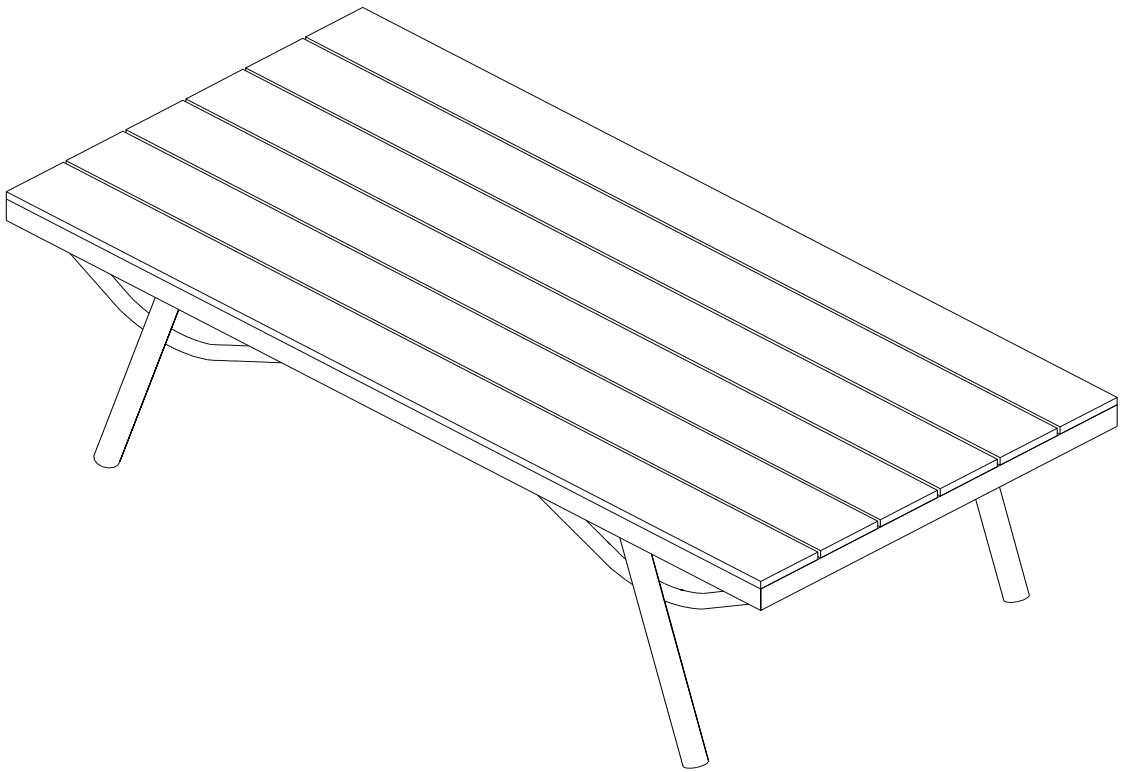


Assembly Instructions

CAUTION: You must read this before you proceed.

Please look in the under table top for hardware packs

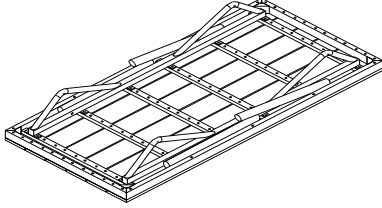
CANOGA TABLE




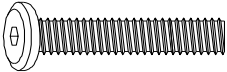

CAUTION : This table is NOT a TOY.

Keep your child / children at bay during the assembly process.

Parts List

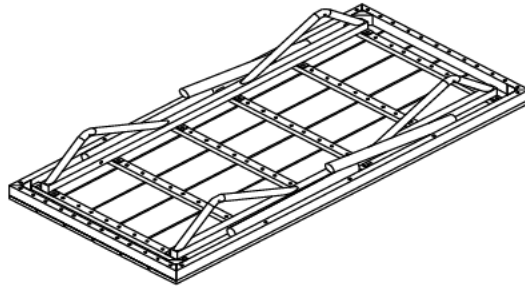
No.	Picture	Description	Qty
A		Table Top	1

Hardware

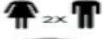
No.	Picture	Description	Qty
①		Allen Wrench	1
②		Bolt (M8*35mm)	5
③		Washers (M8*2)	9

Assembly Preparation

Before Beginning Assembly:



- Read instructions, cover to cover-



- Have 2 adults on hand for assembly-



- Do not assemble on flooring or carpet-



- Assemble on a clean non-marring surface (packing foam)-

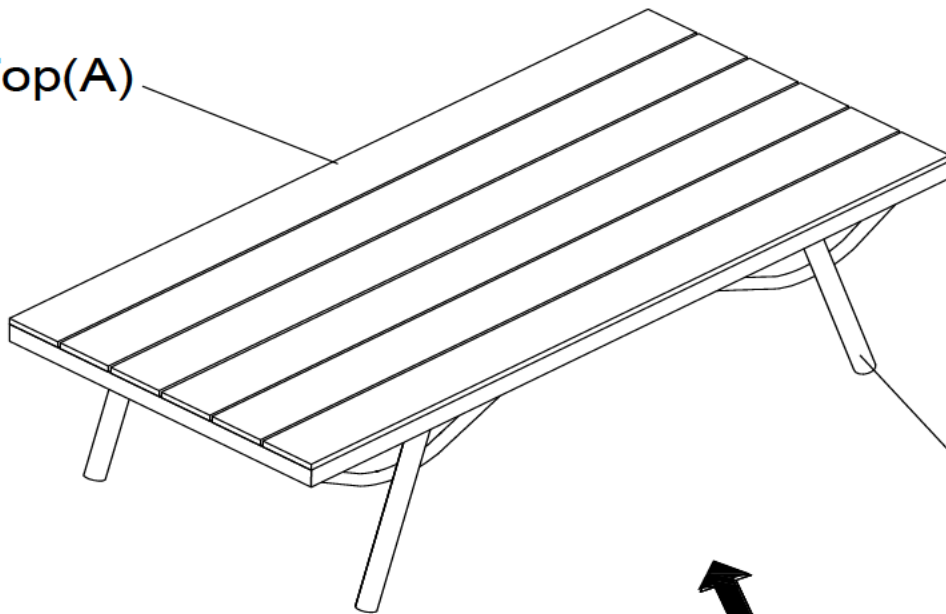


- Save all packaging until finished-

Assembly Steps

Overview:

Table Top(A)

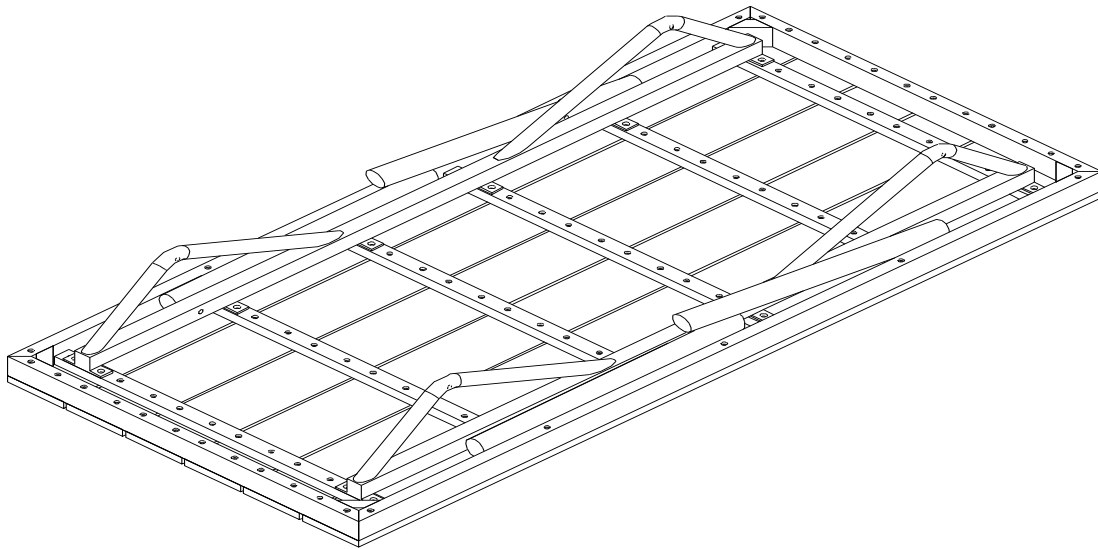


Leg Panel

FRONT FACING

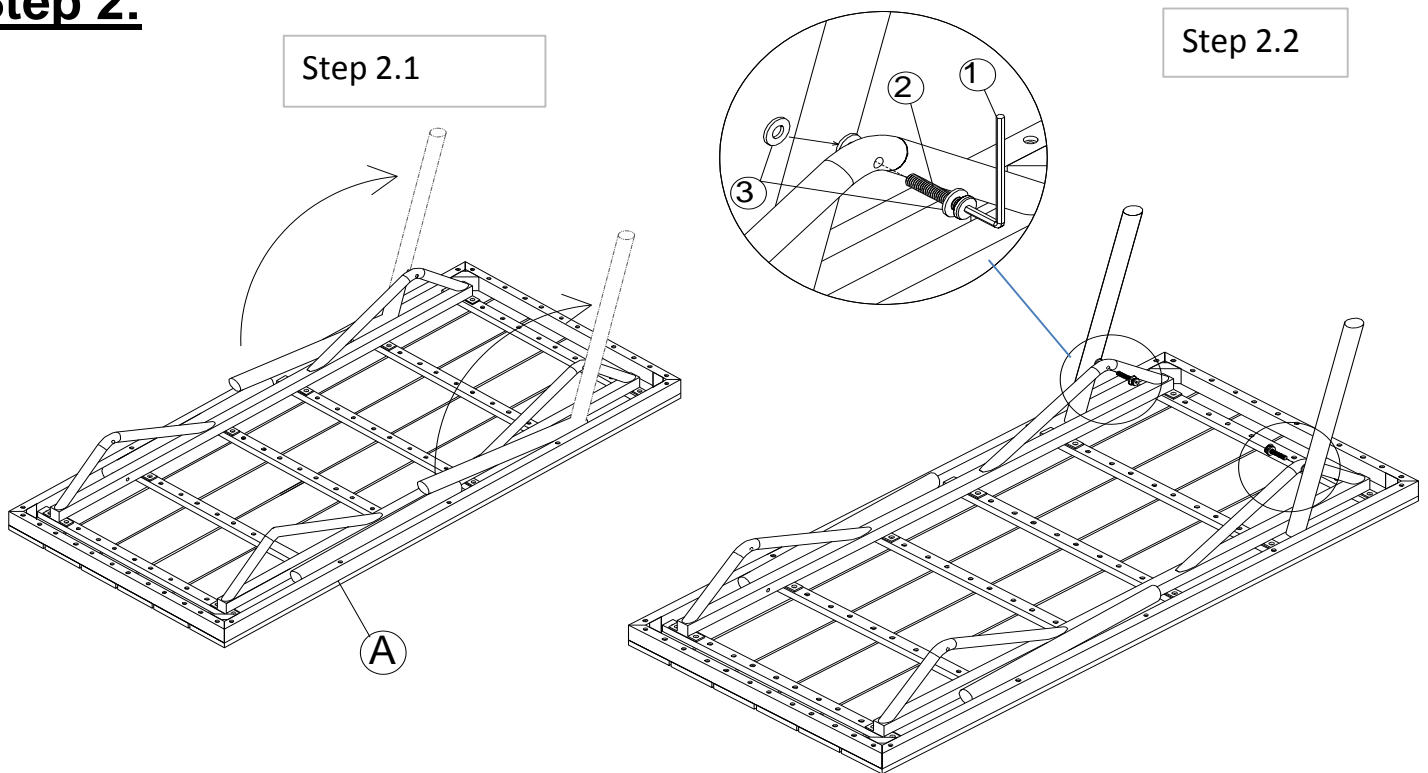
This table has multiple parts and may require about 20 minutes to assemble. To give you an overview of the table parts, the above picture is to help you put the various parts into perspective. Please read through the instructions below to familiarise yourself with the parts and steps before assembly

Step 1



Unpack and place all parts on a clean, non-marring surface.

Step 2:

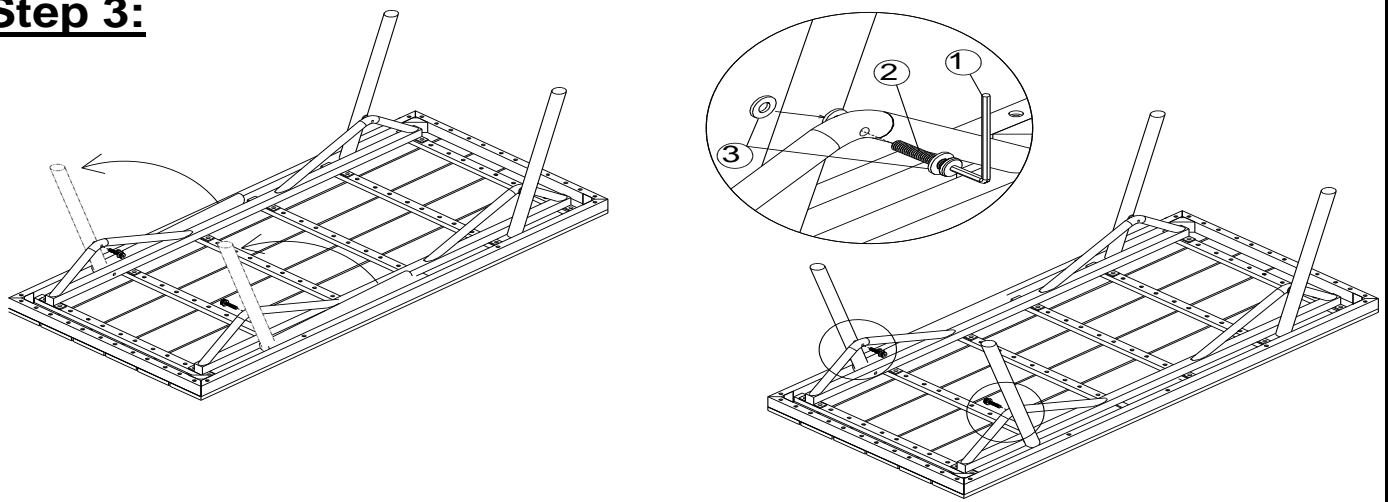


2.1) Place the table top (A) on one side as described above, then rotate the back legs as indicated by the arrows

2.2) Affix the back legs with back brace legs by using Allen Wrench ① , bolts ② and washers ③ as described in the above picture.

ONLY LOOSELY TIGHTEN SCREWS.

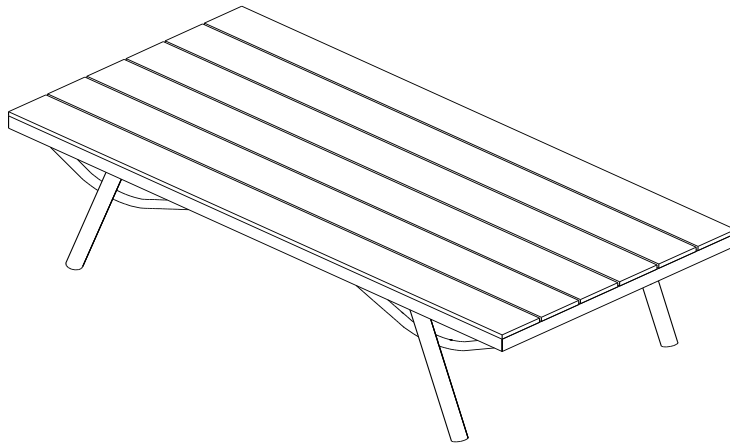
Step 3:



3.1) Rotate the front legs as indicated by the arrows

3.2) Affix the front legs with the front brace legs by using the Allen Wrench ①, bolts ② and washers ③

Step 4



Turn the table right side up.

Place the table on a **LEVEL SURFACE**.

Inspect it and make sure all parts are adequately connected.

Then proceed to tighten all bolts.

To tighten the bolts at the legs of the table, do secure assistance from your adult partner(s).

You may be required to turn the Table, to gain easy access to the secure points. Turn the Table in a synchronised manner.

CAUTION 1: When tightening these bolts, tighten sequentially.

DO NOT tighten any bolts fully and then towards the next one.

This would cause the frame to warp.

If there is still wobbles, loosen the bolts and execute this same process.











WARNING!! IF THE TABLE IS NOT STABLE , IT COULD LEAD TO DAMAGING THE PRODUCT.

Ensure all bolts are fully locked into position.

The Table is ready to be used.

Caution 2: This Table can only be used on a flat, level surface.

Care & Maintenance

- ⊘  ● Prolonged exposure to rain may cause rusting which can stain floors.
- ⊘  ● Do not put hot items directly on furniture surface.
- ⊘  ● Do not clean furniture with harsh cleansers or polish.
- ✓  ● To obtain the longest lifespan of your outdoor products, minimizing exposure to direct sunlight is recommended.
- ⊘  ● Children should not climb or jump on the furniture.
- ⊘  ● Do not write on furniture without a padded barrier to protect the surface.
- ✓  ● To obtain the longest lifespan of your outdoor products, avoid extended and lengthy exposure to rain, snow, and direct sunshine. Whenever possible cover the product and /or place under patio or awnings.
- ⊘  ● Not for commercial use. For residential use only.
- ⊘  ● Stains may be removed with mild soap solution and damp cloth.
- ✓  ● Dust and pick-up spills using a clean, non-colored, lint-free cloth.