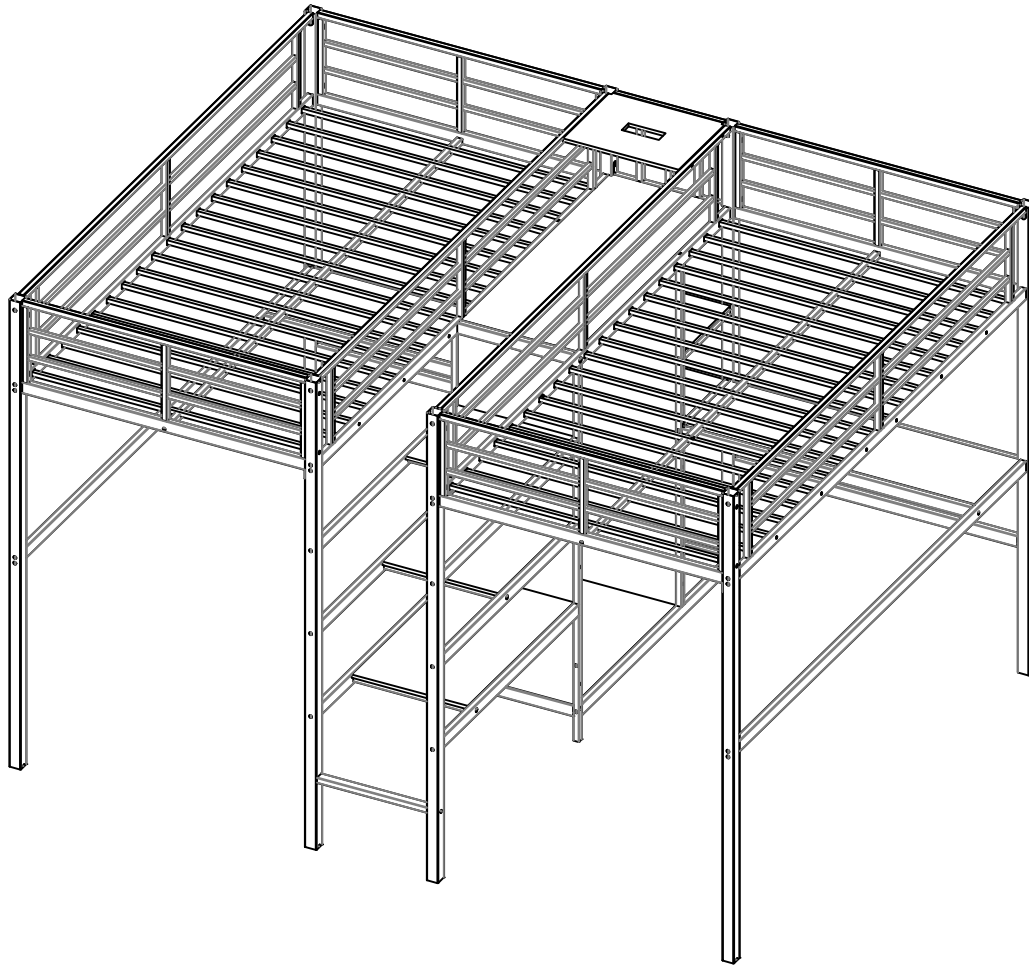


# LOFT BED ASSEMBLY INSTRUCTIONS



## SAFETY WARNINGS AND GENERAL NOTES:

1. Follow the information on the warnings on the bunk bed end structure and on the carton. Do not remove the warning label from the bed.
2. Always use the recommended size mattress on mattress support, or both, to help prevent the likelihood of entrapment or falls.
3. Do not allow children under 6 years of age to use the upper bunk.
4. Periodically check and ensure the guardrail, ladder and other components are in their proper position, free from damage, and all connectors are tight.
5. Do not allow horseplay on or under beds.
6. Always prohibit jumping on the bed.
7. Prohibit more than one person on upper bunk.
8. Always use the ladder for entering and leaving the upper bunk.
9. Do not use substitute parts. Contact the manufacturer or dealer for replacement parts.

10. Use of a night-tight may provide added safety precaution for a child using the upper bunk.

11. Always use guardrails on both long sides of the upper bunk.

12. If the bunk bed will be placed next to a wall, the guardrail that runs the full length of the bed should be placed against the wall to prevent entrapment between the bed and the wall.

The use of water or sleep flotation mattresses is prohibited.

13. **STRANGULATION HAZARD**-Never attach or hang items to any part of the bunk bed that are not designed for use with the bed; for example, but not limited to, hooks, belts and jump ropes.

14. Keep these instructions for future reference.

15. We recommend assembling your bunk bed on the shipping carton to protect your floor or carpet.

16. Be certain all staples are out of the box before beginning assembly on the shipping carton.

17. USE ONLY MATTRESSES WHICH ARE AS THE TABLE BELOW ON UPPER AND ON LOWER BUNKS.

Up bed (bunk bed and tribed included)

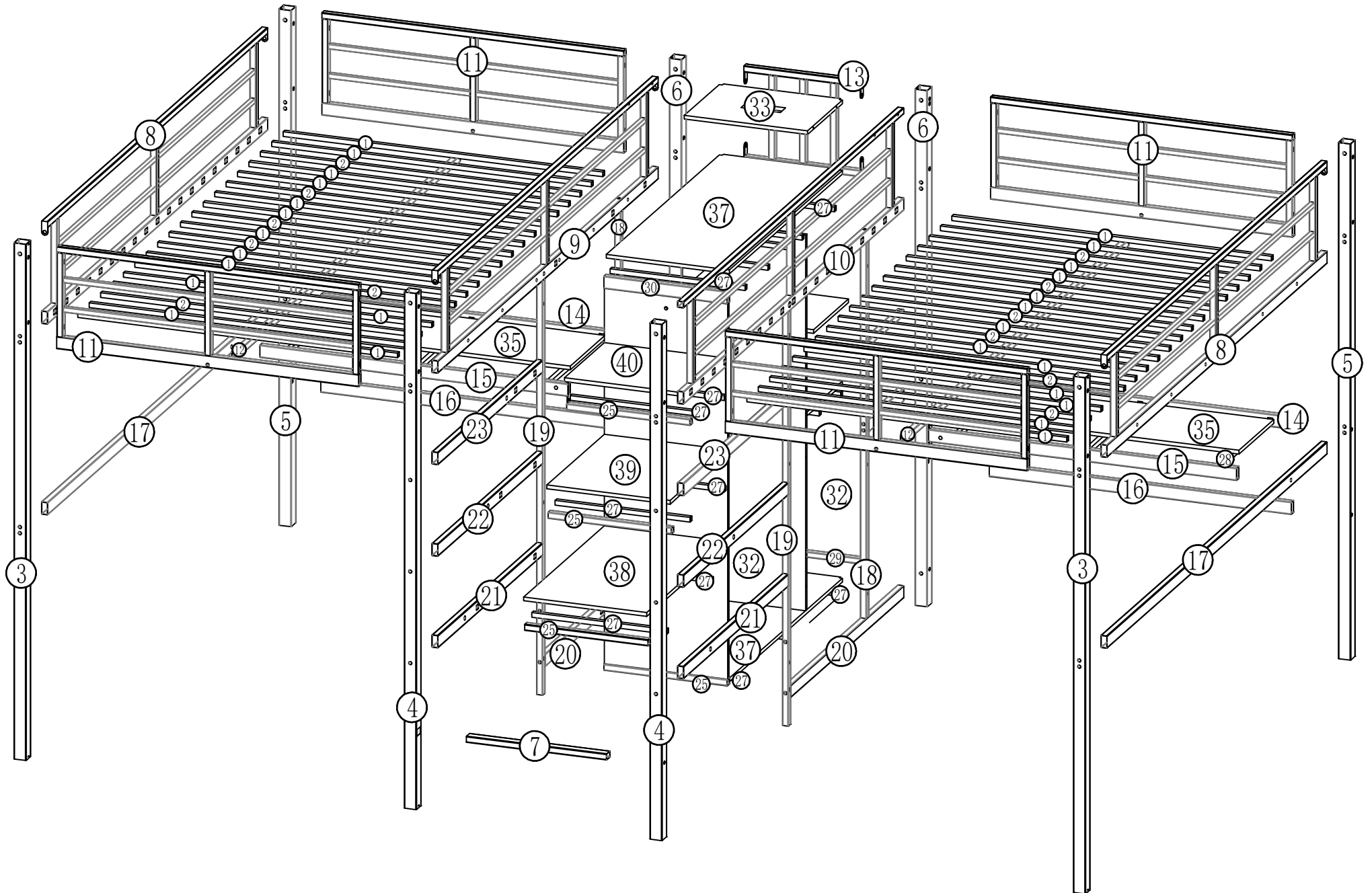
Mattress size	Length	Width	Thickness
Twin Standard	74"-75"	38"-39"	6"max

18. SURFACE OF MATTRESS MUST BE AT LEAST 5"(127MM) BELOW THE UPPER EDGE OF GUARDRAILS.




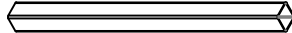
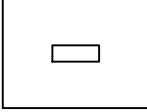




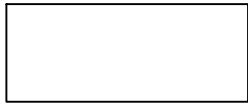


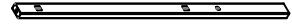
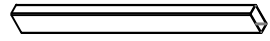

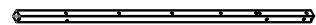
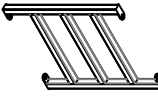
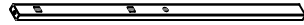
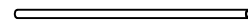

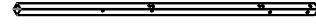

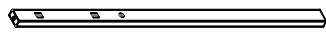
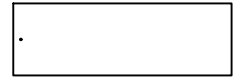
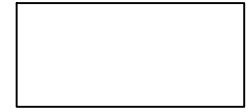



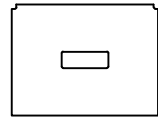


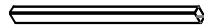


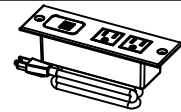

















19. Replacement Parts:

Replacement Parts, including additional guardrails, may be obtained from any of our (Shenzhen Yuefeng zhiqi Technology Co., Ltd) dealers.

# Bed parts view

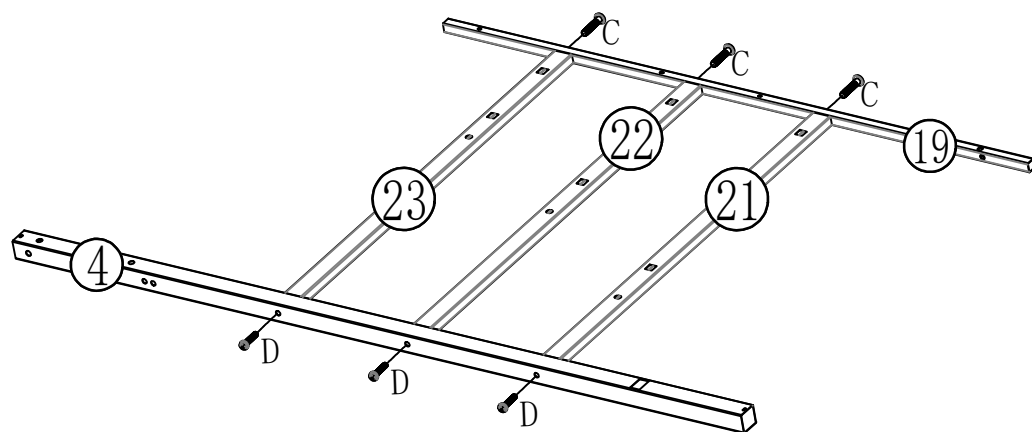


# Part List

 1-26pcs	 10-1pcs	 19-2pcs	 28-6pcs	 34-1pcs							
 2-12pcs	 11-4pcs	 20-2pcs	 29-1pcs	 35-2pcs							
 3-2pcs	 12-2pcs	 21-2pcs	 30-1pcs	 36-1pcs							
 4-2pcs	 13-1pcs	 22-2pcs	 31-1pcs	 37-2pcs							
 5-2pcs	 14-2pcs	 23-2pcs	 32-2pcs	 38-1pcs							
 6-2pcs	 15-2pcs	 24-2pcs	 33-1pcs	 39-1pcs	 40-1pcs						
 7-1pcs	 16-2pcs	 25-4pcs	<h2>Hardware List</h2>  P Socket 2PCS								
 8-2pcs	 17-2pcs	 26-2pcs									
 9-1pcs	 18-2pcs	 27-15pcs									
			 A 4*10 4PCS	 B 8*15 4PCS	 C 8*35 42PCS	 D 8*55 70PCS	 E 6*30 36PCS	 F 8*15 24PCS	 G 4*35 20PCS	 H 0	 I L
								 J K 76PCS	 L M		

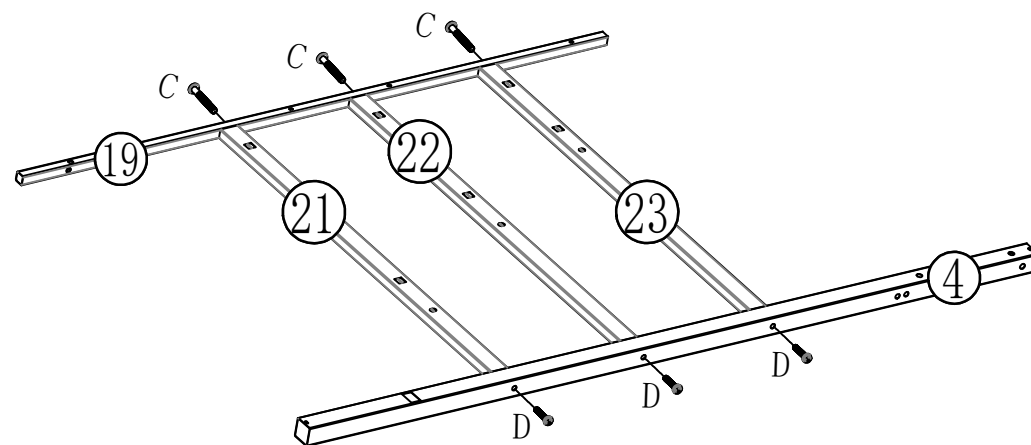
Step 1: Use hardware L, and D to connect #4, #19,#21,#22 and #23 together.

## Part 1



Step 2: Use hardware L, and D to connect #4, #19,#21,#22 and #23 together.

## Part 2



C  
8\*35-3PCS



D  
8\*55-3PCS



L



C  
8\*35-3PCS

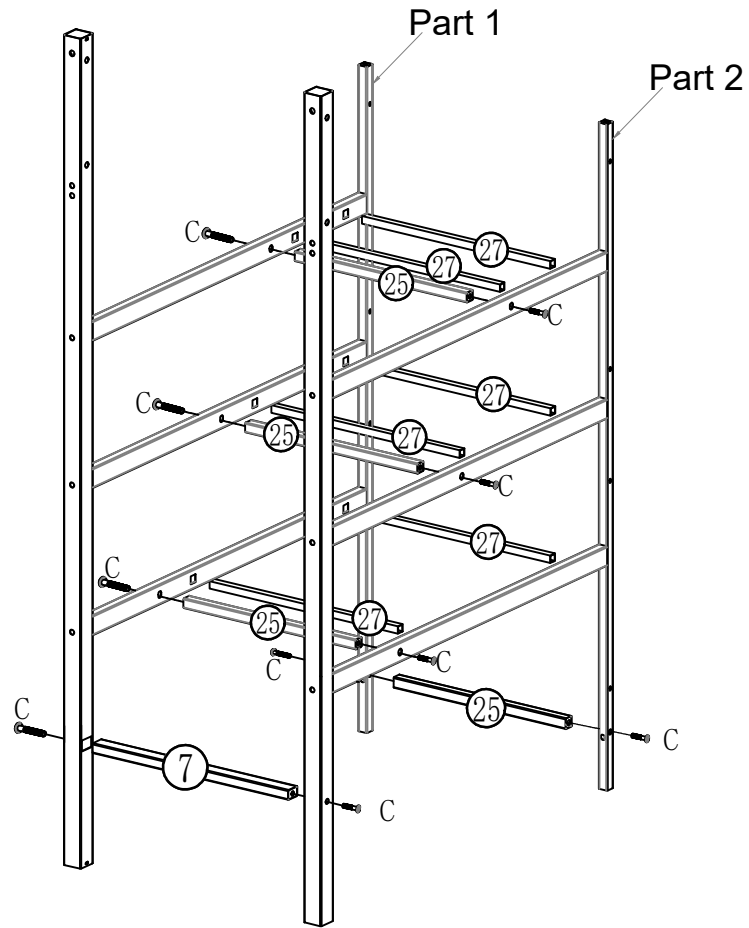



D  
8\*55-3PCS



L

Step 3: Use hardware L,C and D to connect #7,#25,#27 and #32 together.

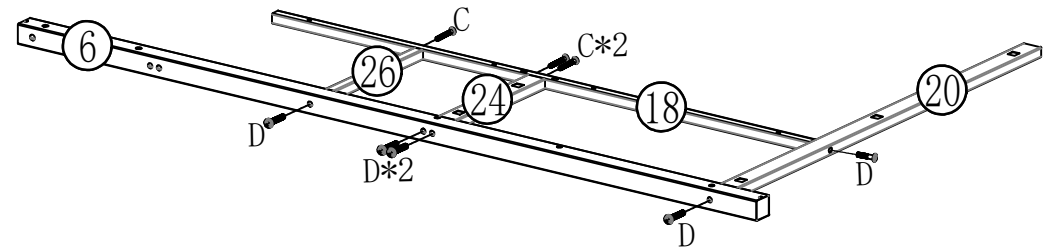



  
C  
8\*35-10PCS


  
L

Step 4: Use hardware L,C and D to connect #6,#18,#20, #24 and #26 together.

Part 1



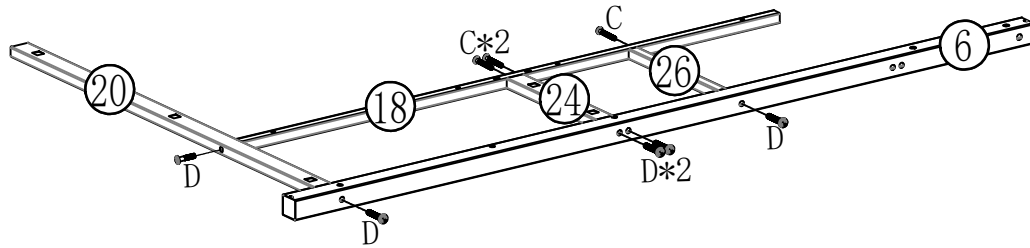
  
C  
8\*35-3PCS

  
D  
8\*55-5PCS

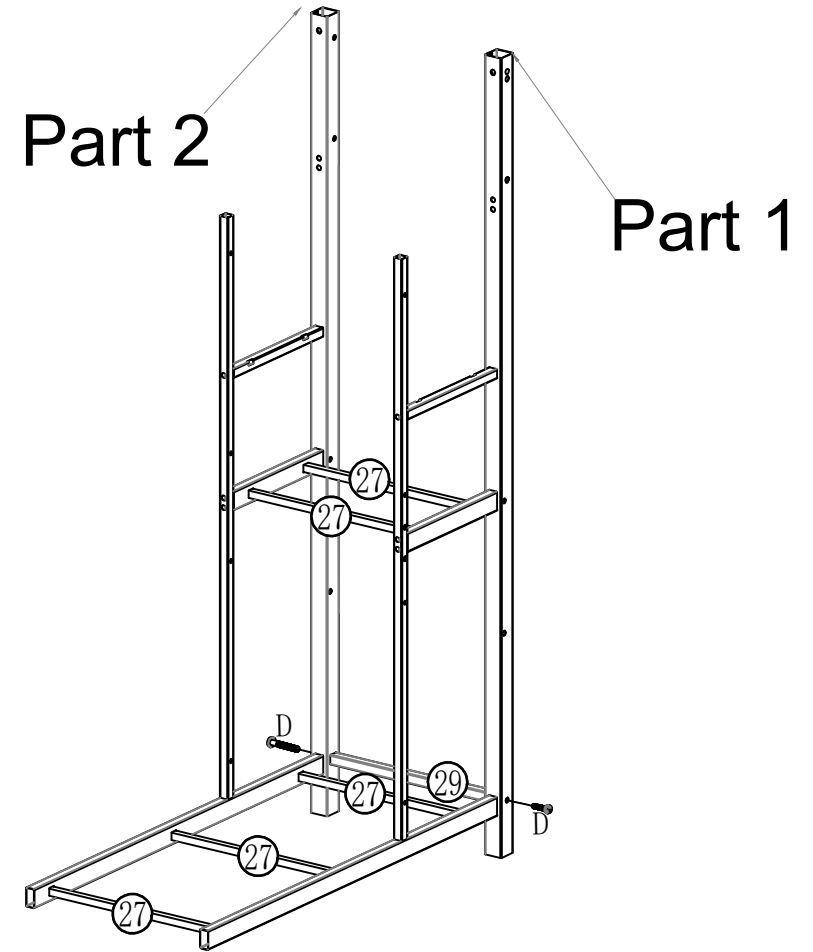
  
L

Step 5: Use hardware L,C and D to connect #6,#18,#20,  
#24 and #26 together.

## Part 2



Step 6: Use hardware L,D to connect #27 and #29  
together.



C  
8\*35-3PCS



D  
8\*55-5PCS



L

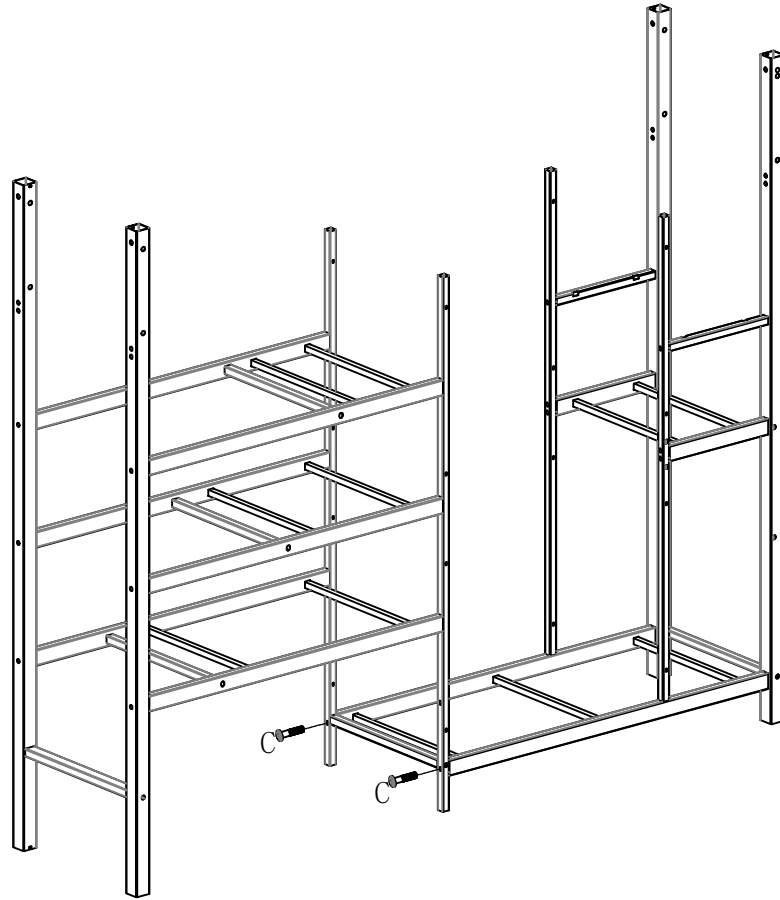


D  
8\*55-2PCS

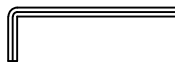


L

Step 7: Use hardware L, C to connect Step 3 and Step 6 to the previously installed components.

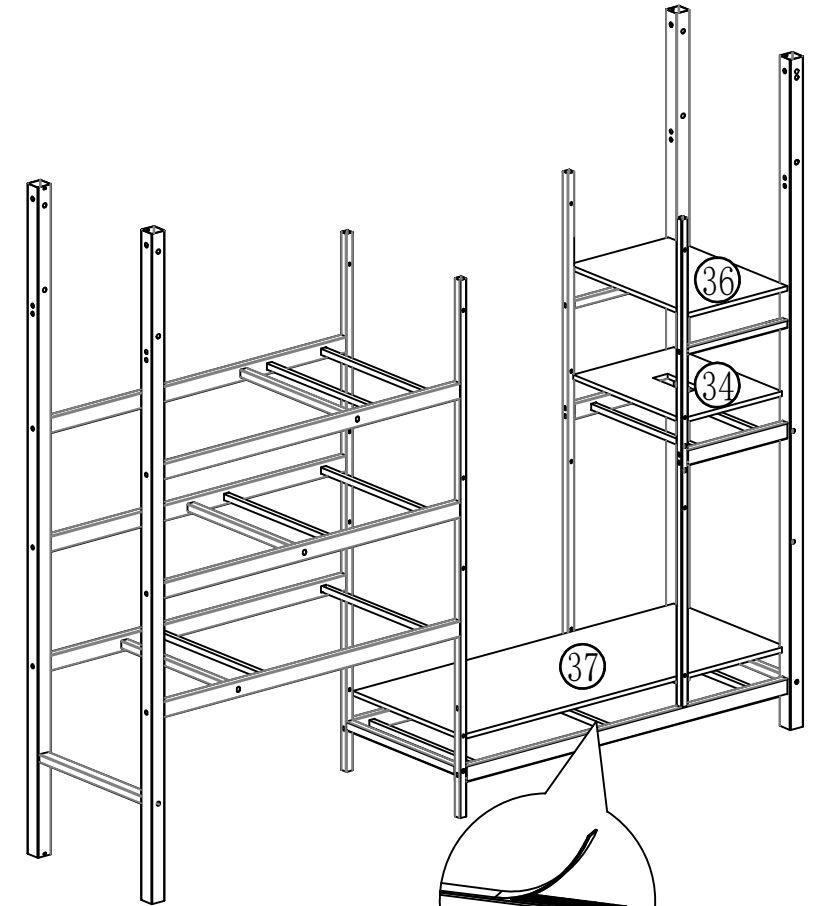


C  
8\*35-2PCS



L

Step 8: Use hardware O to connect #34,#36,#37 to the previously installed components.

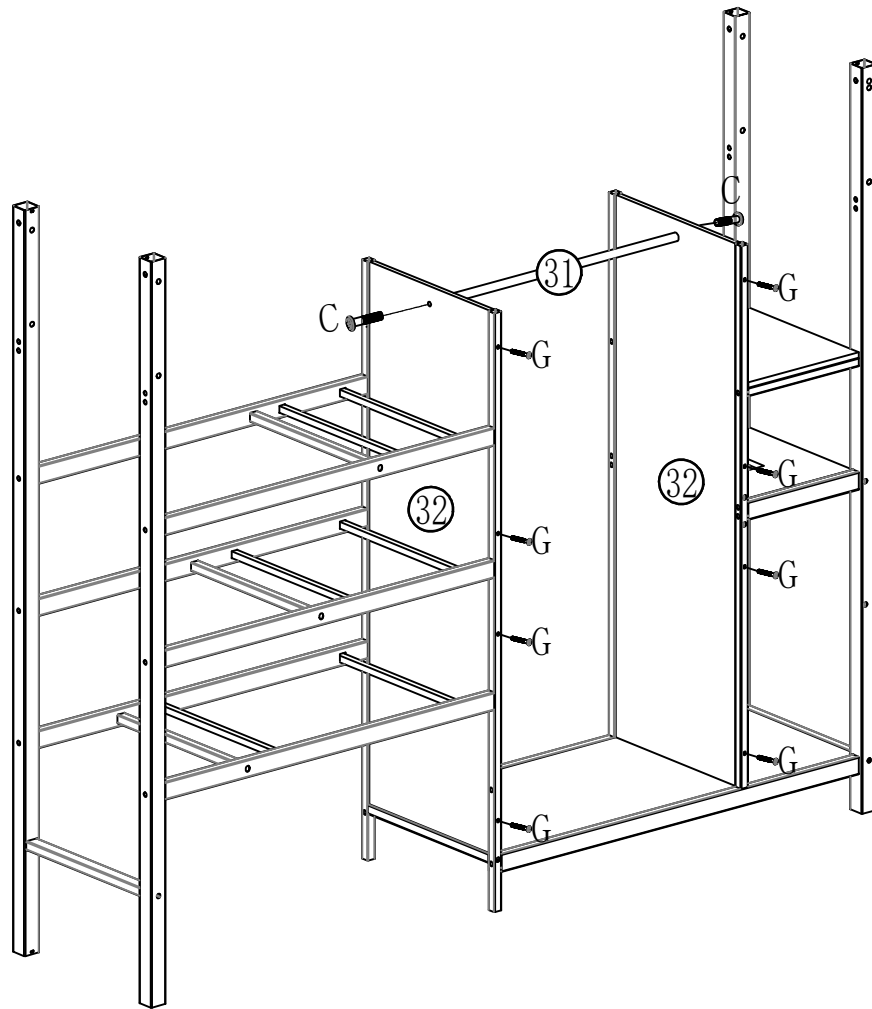


Please Use double-sided tape to secure the board tear off the adhesive tape before placing the board.

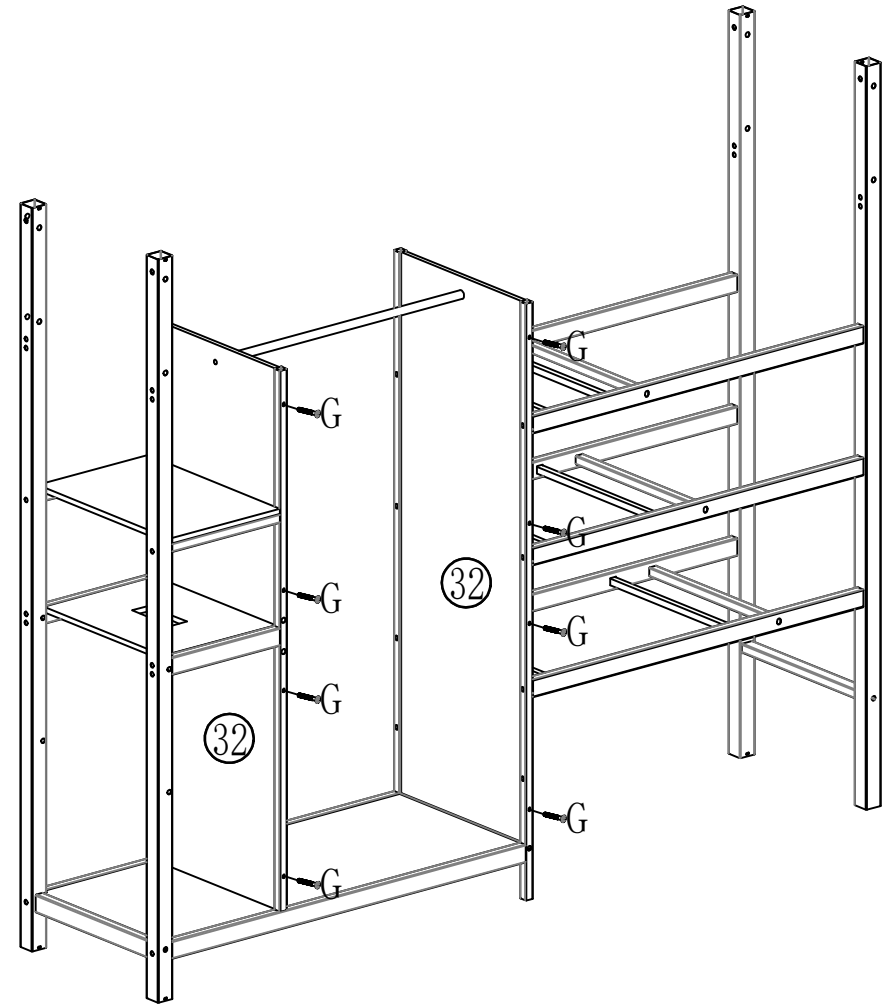


O  
1PCS

Step 9: Use hardware L,M,C,G to connect #31,#32 to the previously installed components.



Step 10: Use hardware M,G to connect #32 to the previously installed components.



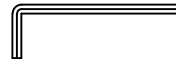
G  
4\*35-8PCS



M



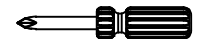
C  
8\*35-2PCS



L

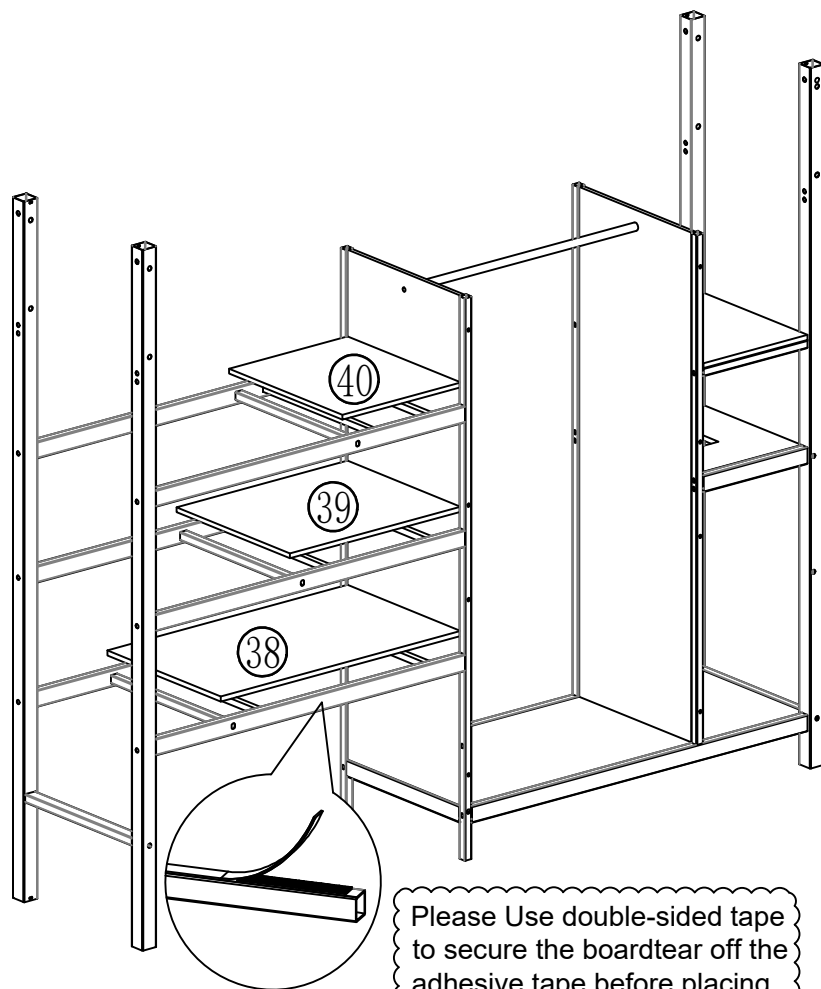


G  
4\*35-8PCS



M

Step 11: Use hardware O to connect #38,#39,#40 to the previously installed components.

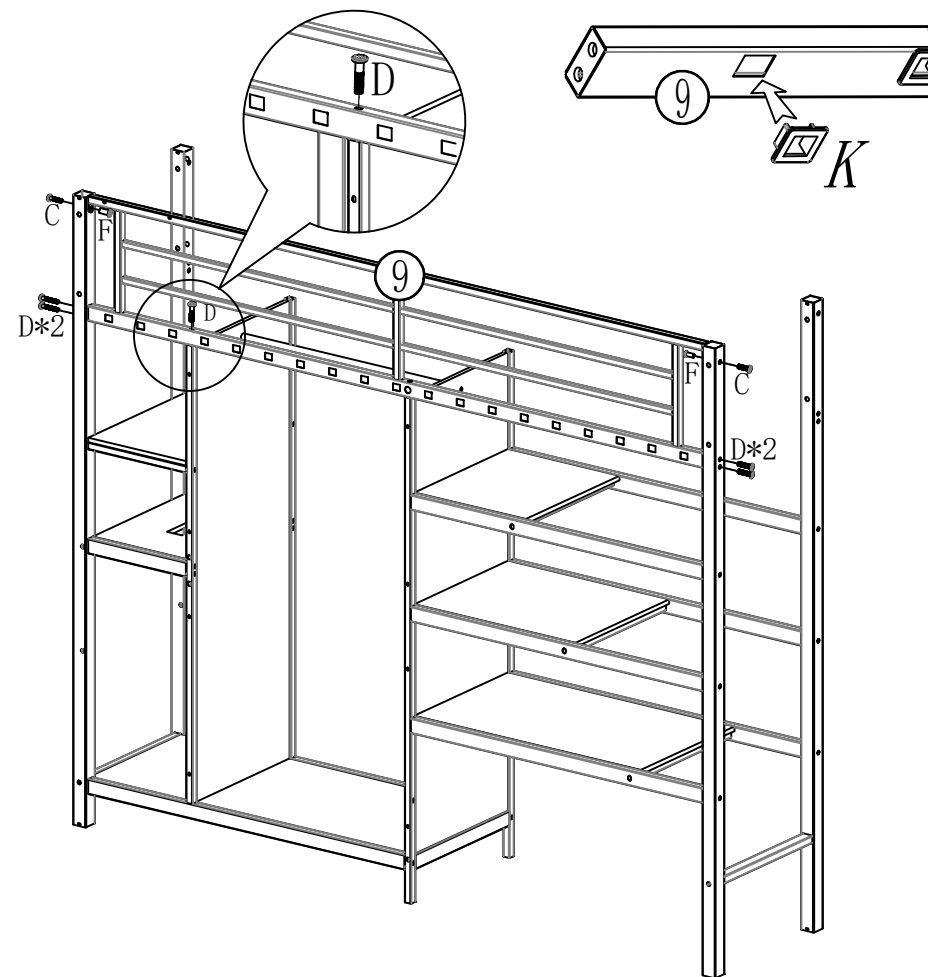


Please Use double-sided tape to secure the board tear off the adhesive tape before placing the board.



O  
1PCS

Step 12: Install part #K to parts #9, Then use hardware C,D,L and F to connect #9 to the previously installed components.



C  
8\*35-2PCS



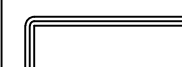
D  
8\*55-5PCS



F  
8\*15-2PCS

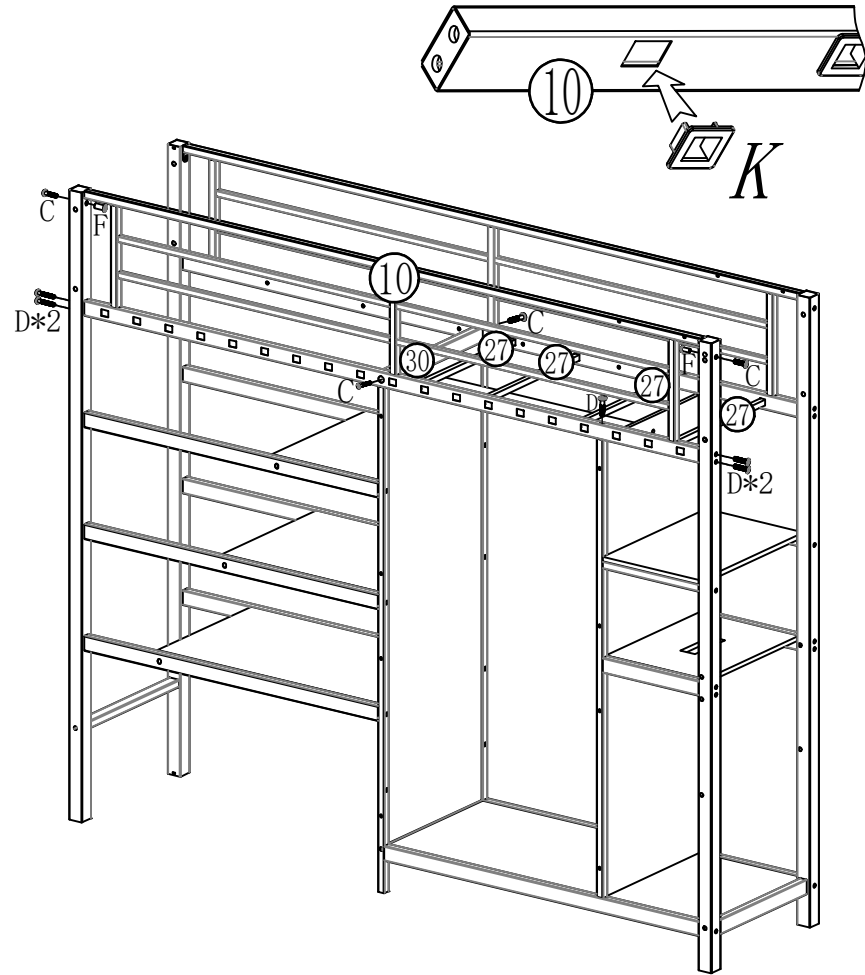


K--19PCS

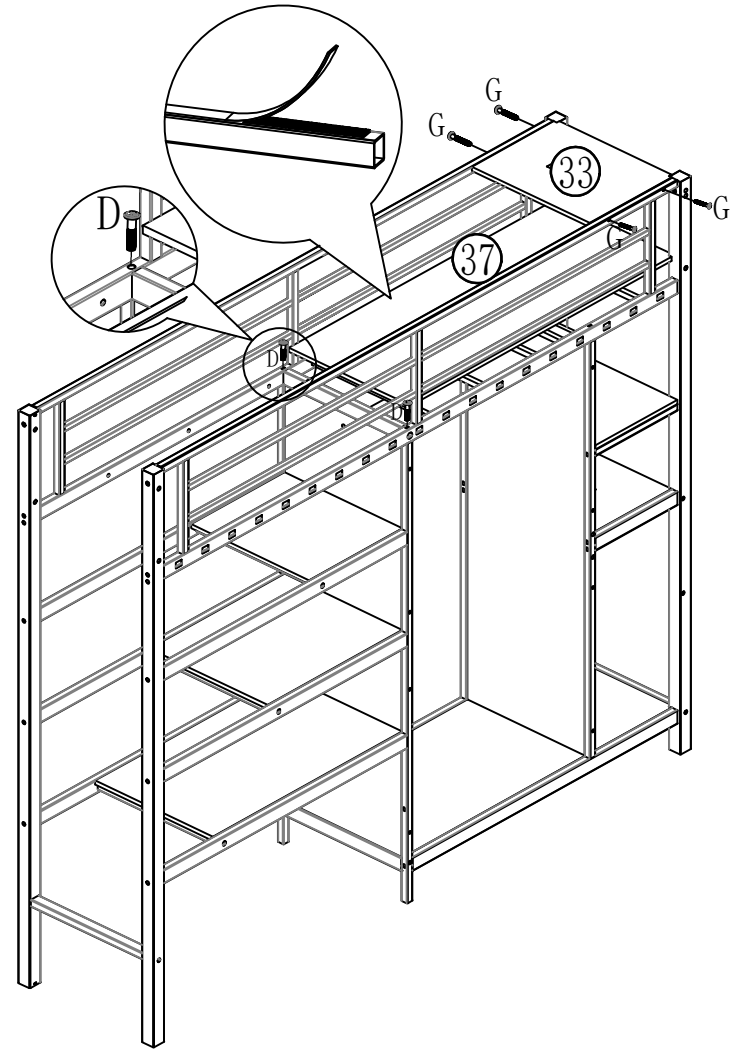






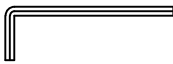





L

Step 13: Install part #K to parts #10, Then use hardware L,F,C,B and D to connect #10,#27,#30 to the previously installed components.

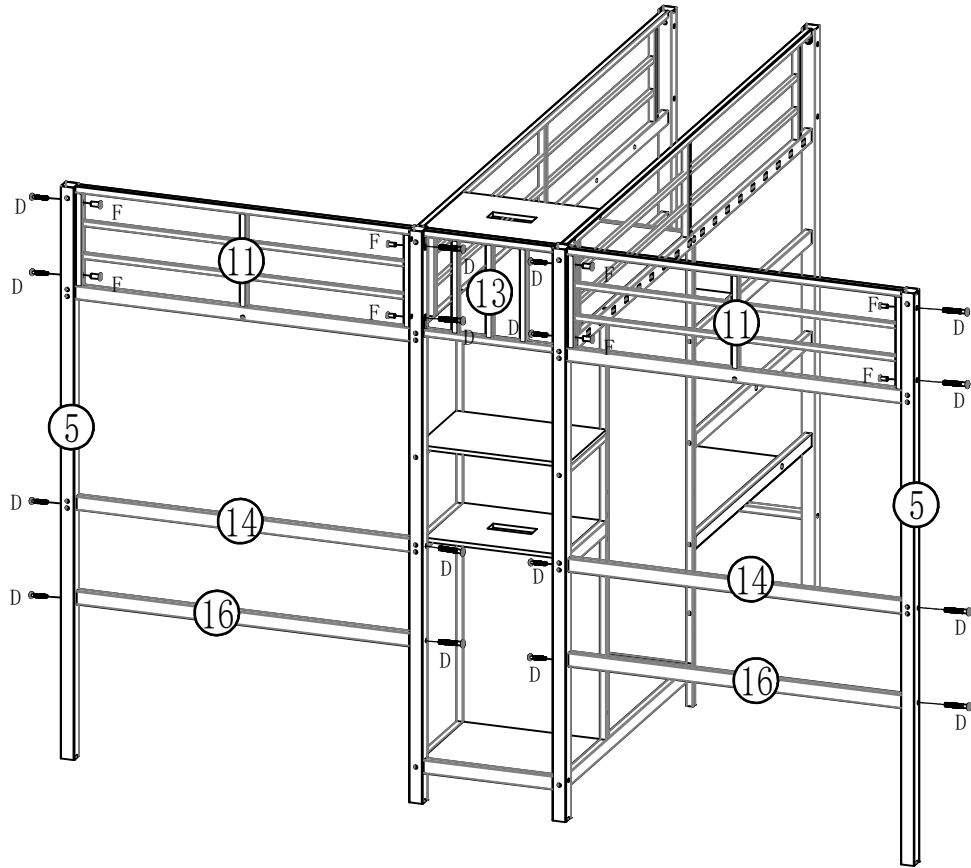


Step 14: Use hardware G,M,D and L to connect #33 and #37 to the previously installed components.

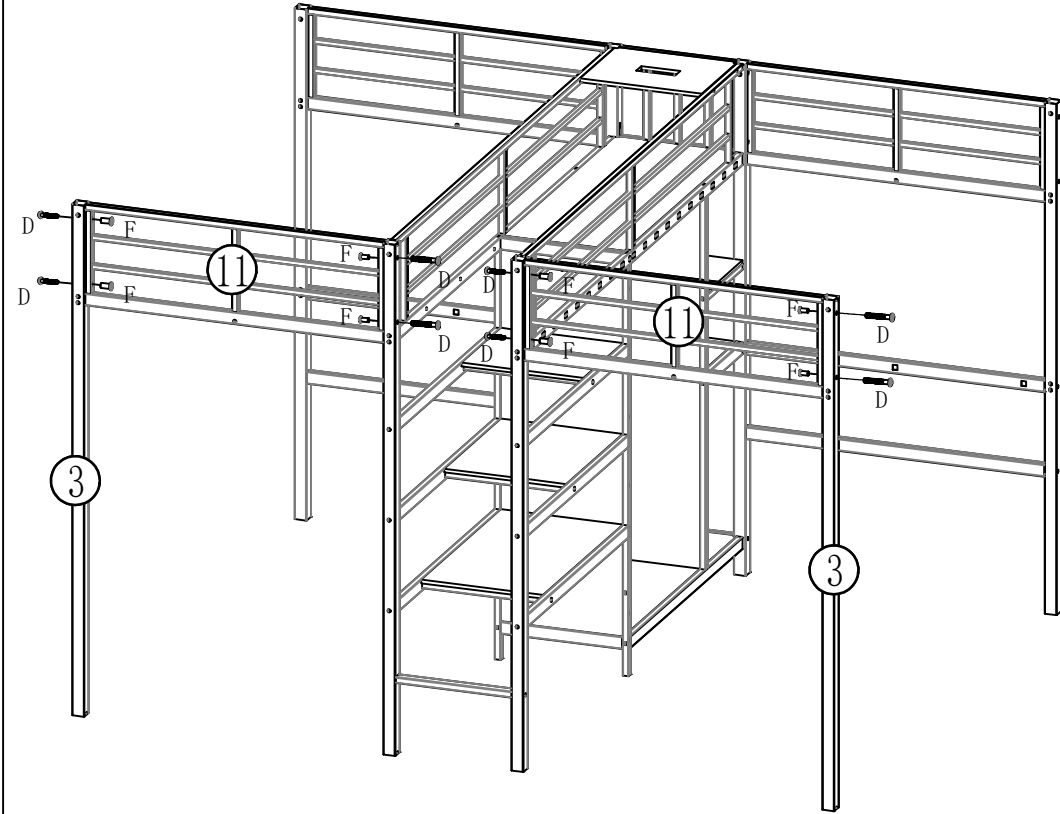


									
C 8*35-4PCS	D 8*55-5PCS	F 8*15-2PCS	K--19PCS	L	D 8*55-2PCS	G 4*35-4PCS	O 1PCS	M	L

Step 15: Use hardware D,F and L to connect #5,#11,#13 #14,#16 to the previously installed components.



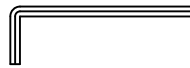
Step 16: Use hardware D,F and L to connect #3,#11 to the previously installed components.



D  
8\*55-16PCS



F  
8\*15-8PCS



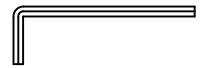
L



D  
8\*55-8PCS

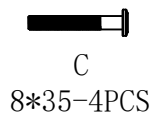
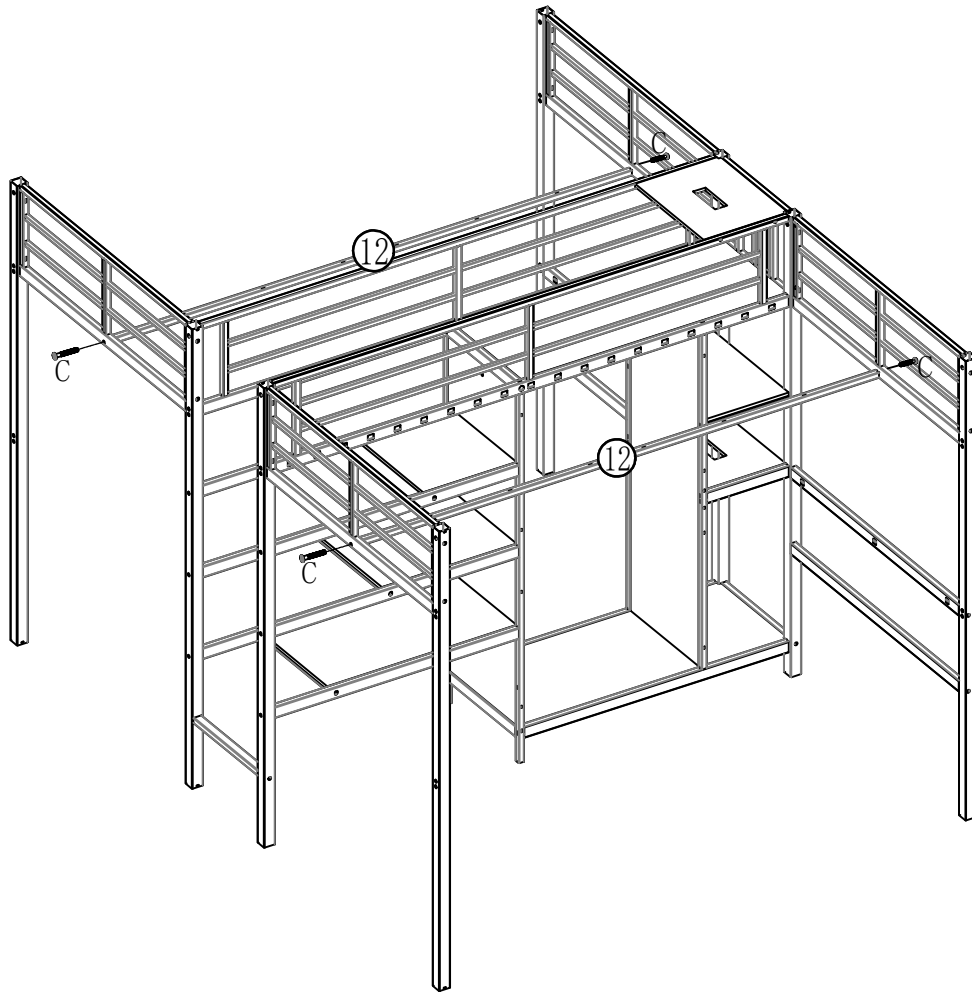


F  
8\*15-8PCS

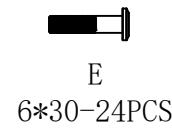
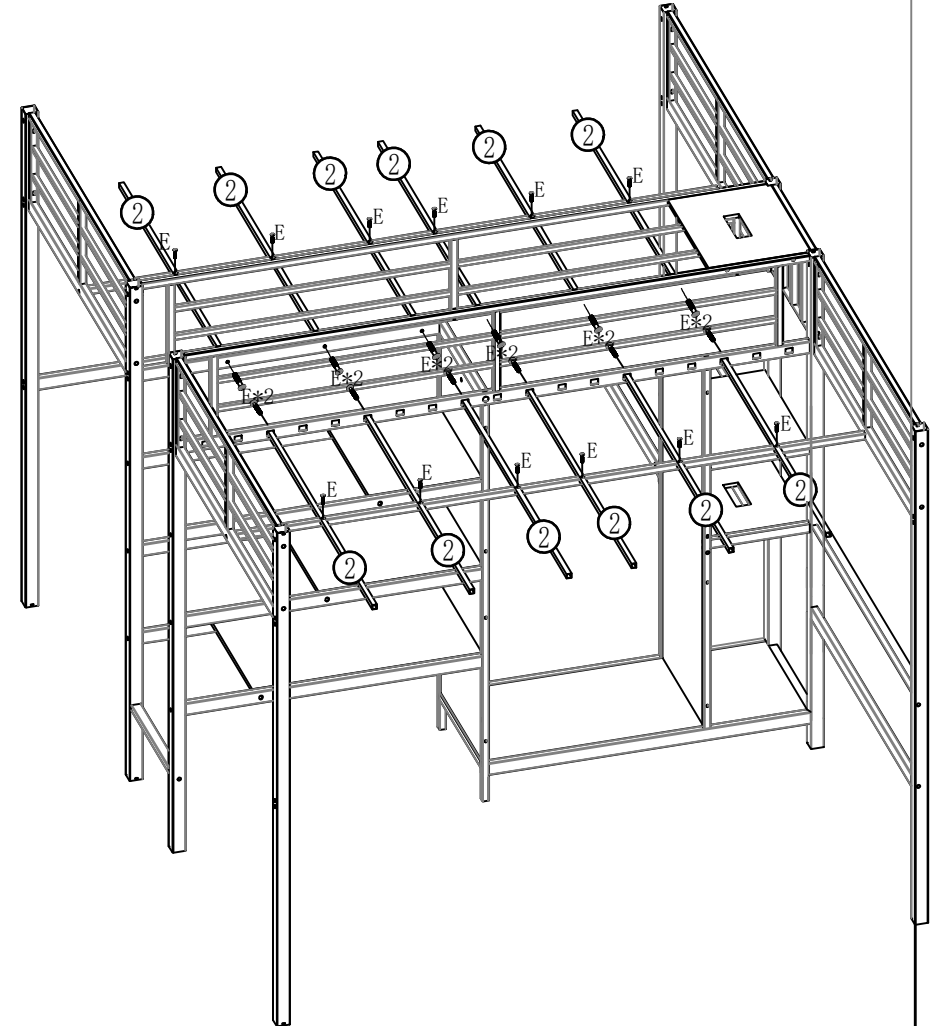


L

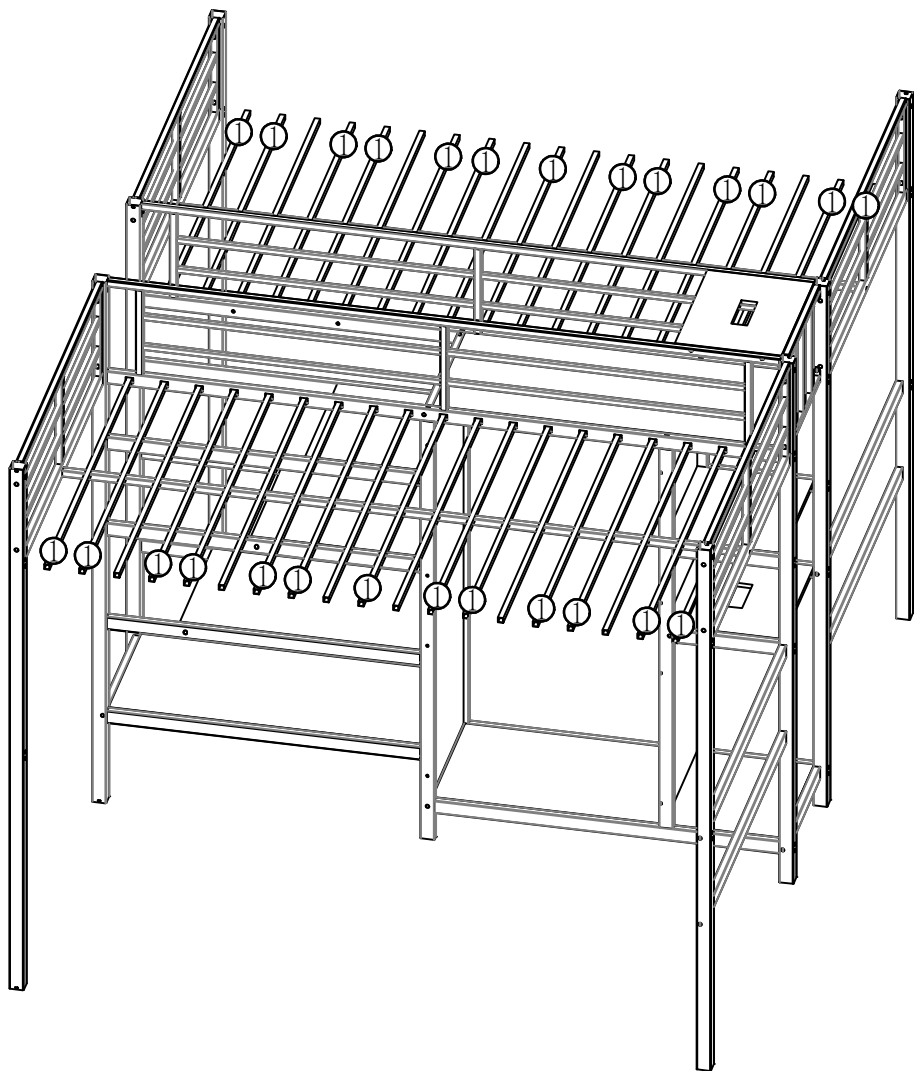
Step 17: Use hardware L, and C to connect #12 to the previously installed components.



Step 18: Use hardware E and L to connect #2 to the previously installed components.

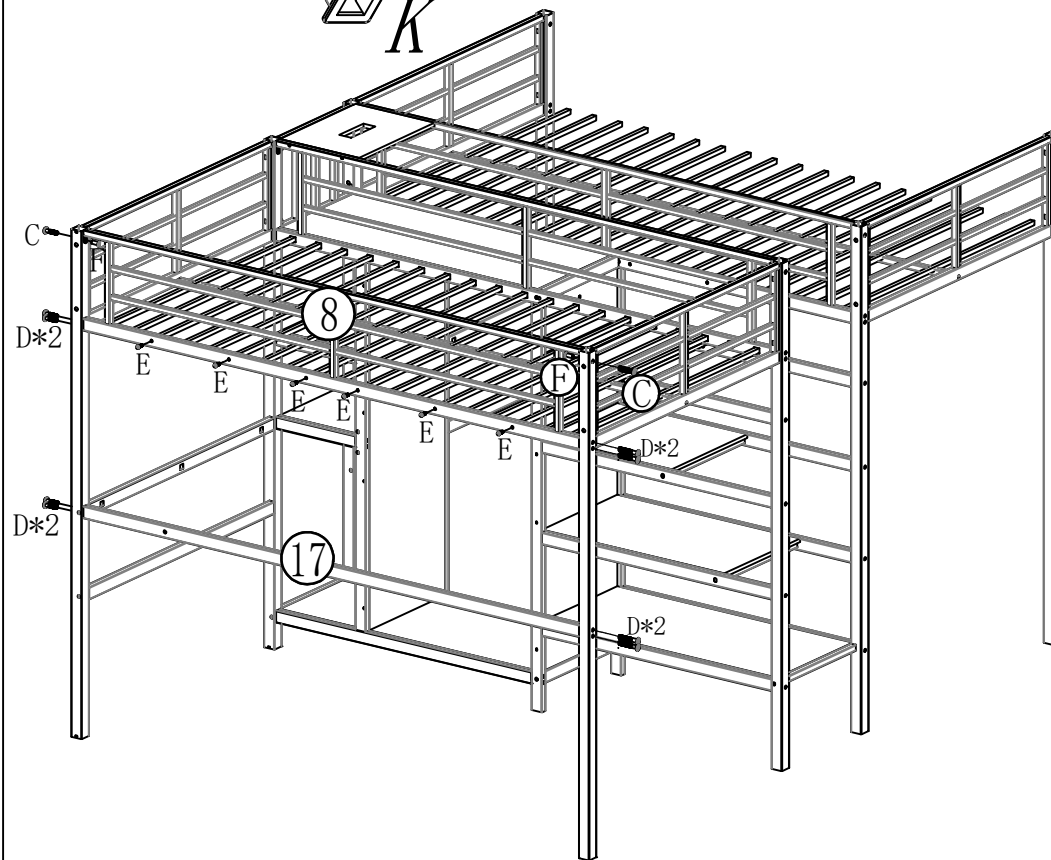
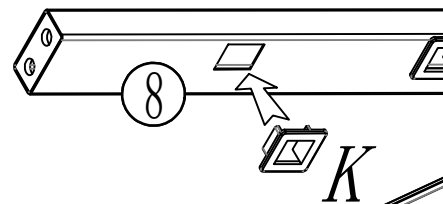


Step 19: Connect #1 to the previously installed components.



1-26pcs

Step 20: Install part #K to parts #8, Then use hardware C,D,F and L to connect #8 and #17 to the previously installed components.



C  
8\*35-2PCS



D  
8\*55-8PCS



E  
6\*30-6PCS



F  
8\*15-2PCS

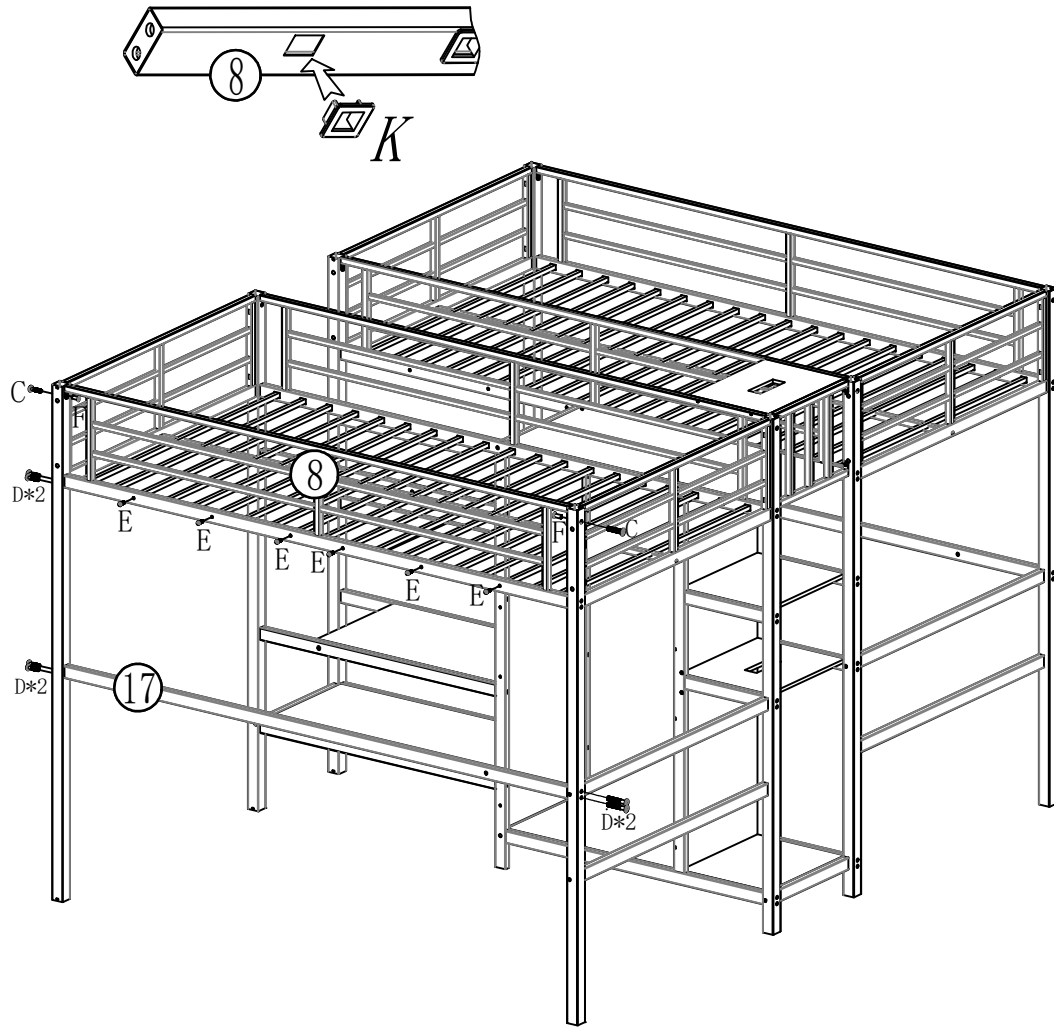


K--19PCS

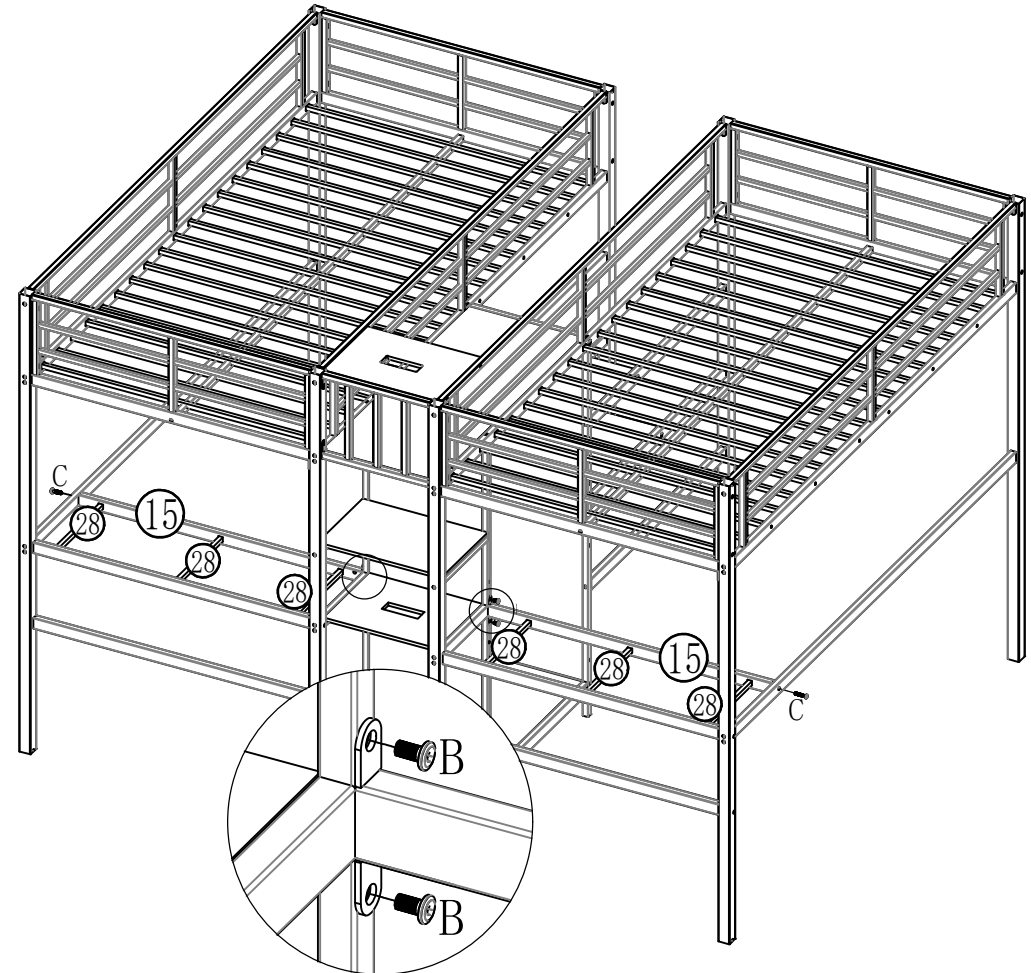








L



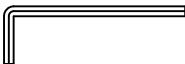
Step 21: Install part #K to parts #8. Then use hardware C,D,F and L to connect #8 and #17 to the previously installed components.



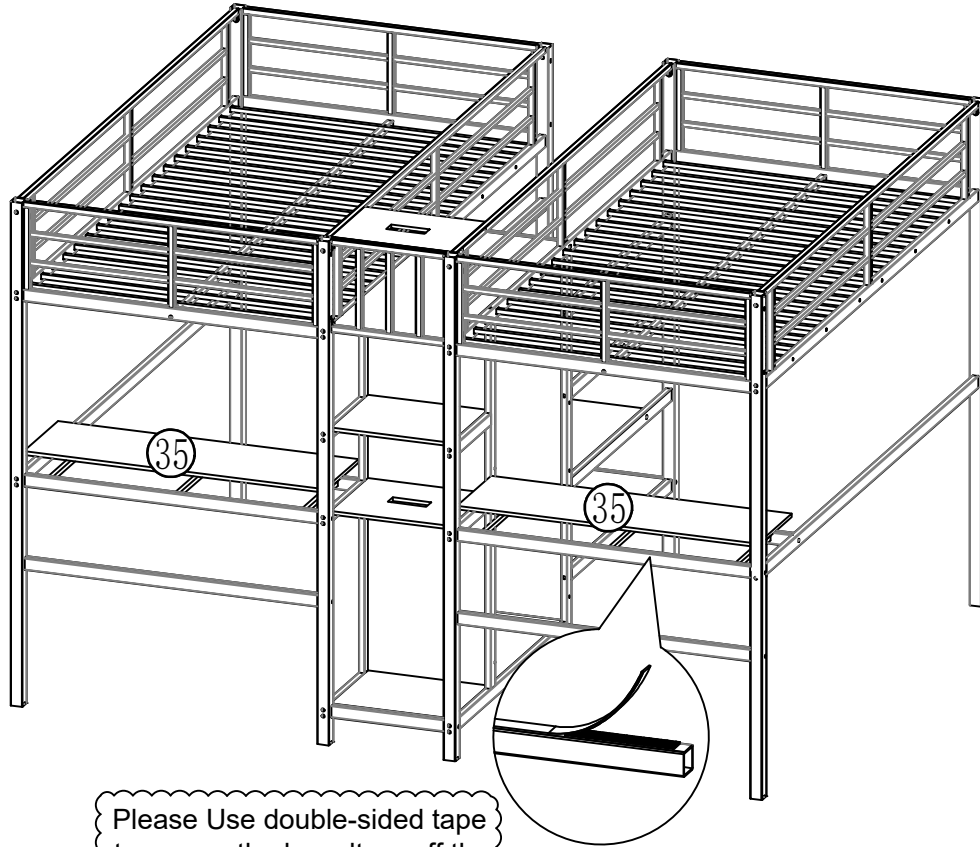
Step 22: Use hardware C, and L to connect #15, #28 to the previously installed components.



					
C 8*35-2PCS	D 8*55-8PCS	E 6*30-6PCS	F 8*15-2PCS	K--19PCS	L

		
B 8*15-4PCS	C 8*35-2PCS	L

Step 23: Use hardware O to connect #35 to the previously installed components.

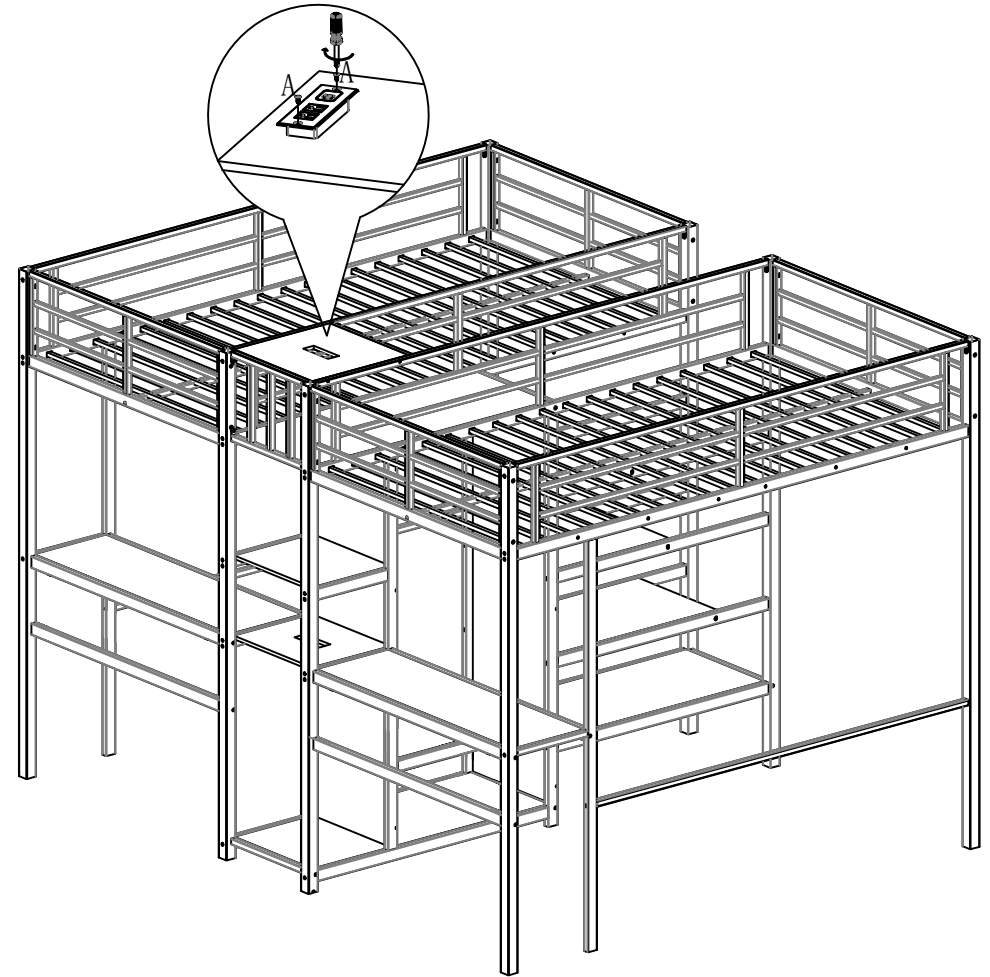


Please Use double-sided tape to secure the board tear off the adhesive tape before placing the board.



O

Step 24 Use hardware A, M and P to the previously installed components.



P  
Socket-2pcs

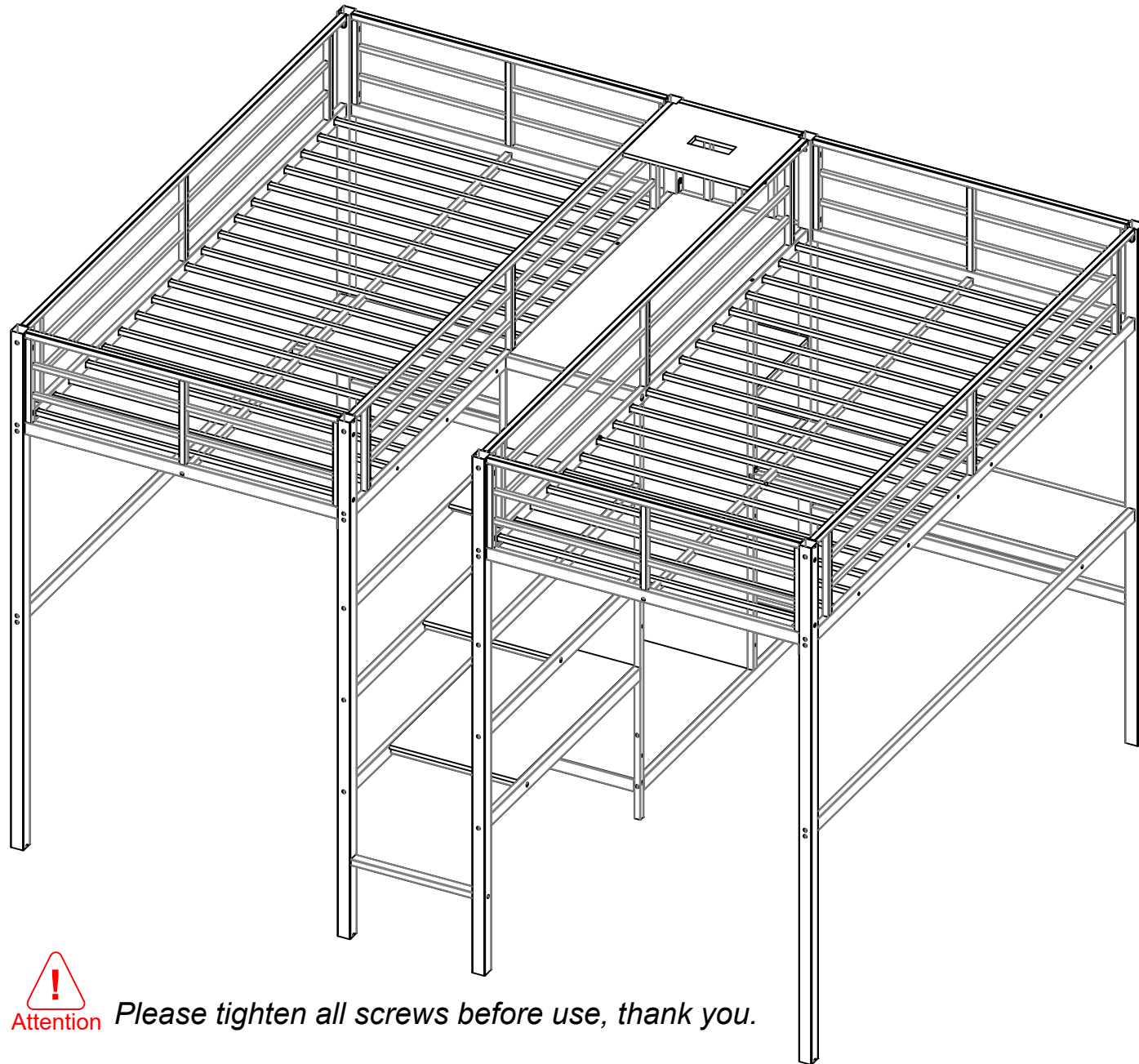


A  
4\*10-4PCS



M

# Completed loft bed



Attention

*Please tighten all screws before use, thank you.*