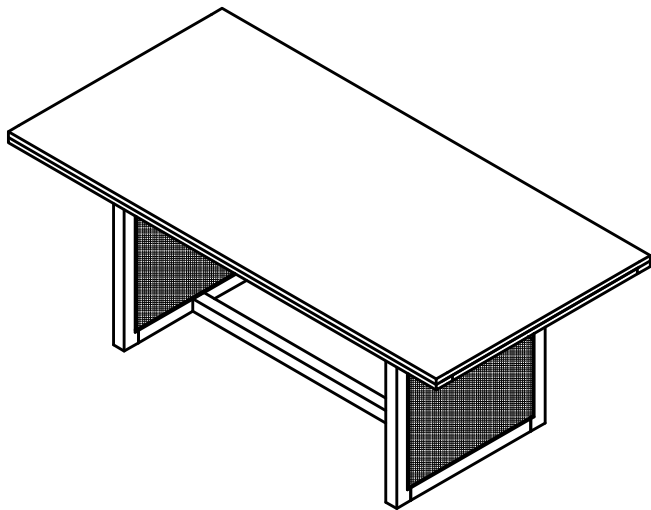








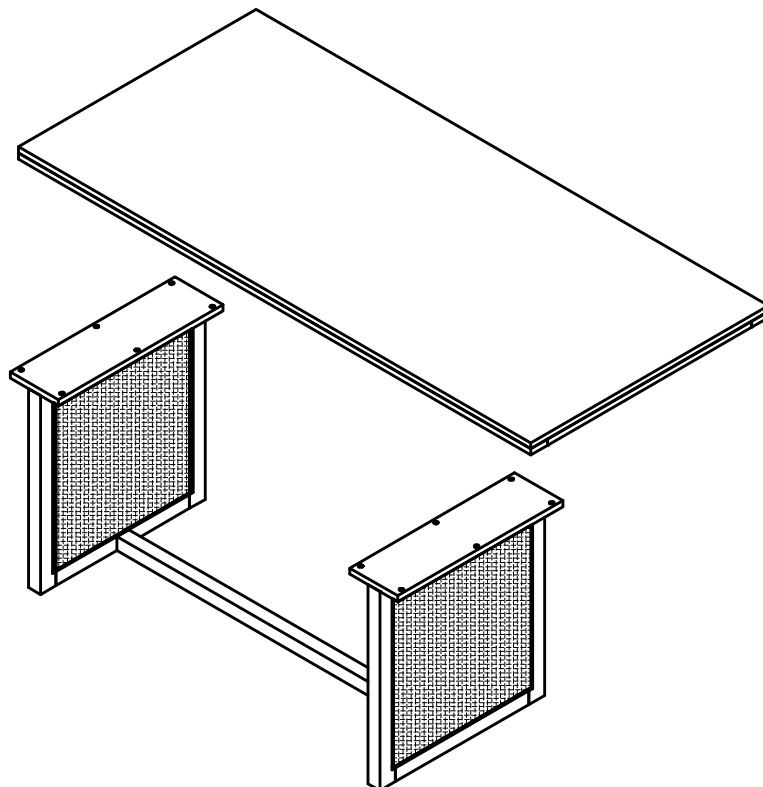
ASSEMBLY INSTRUCTION

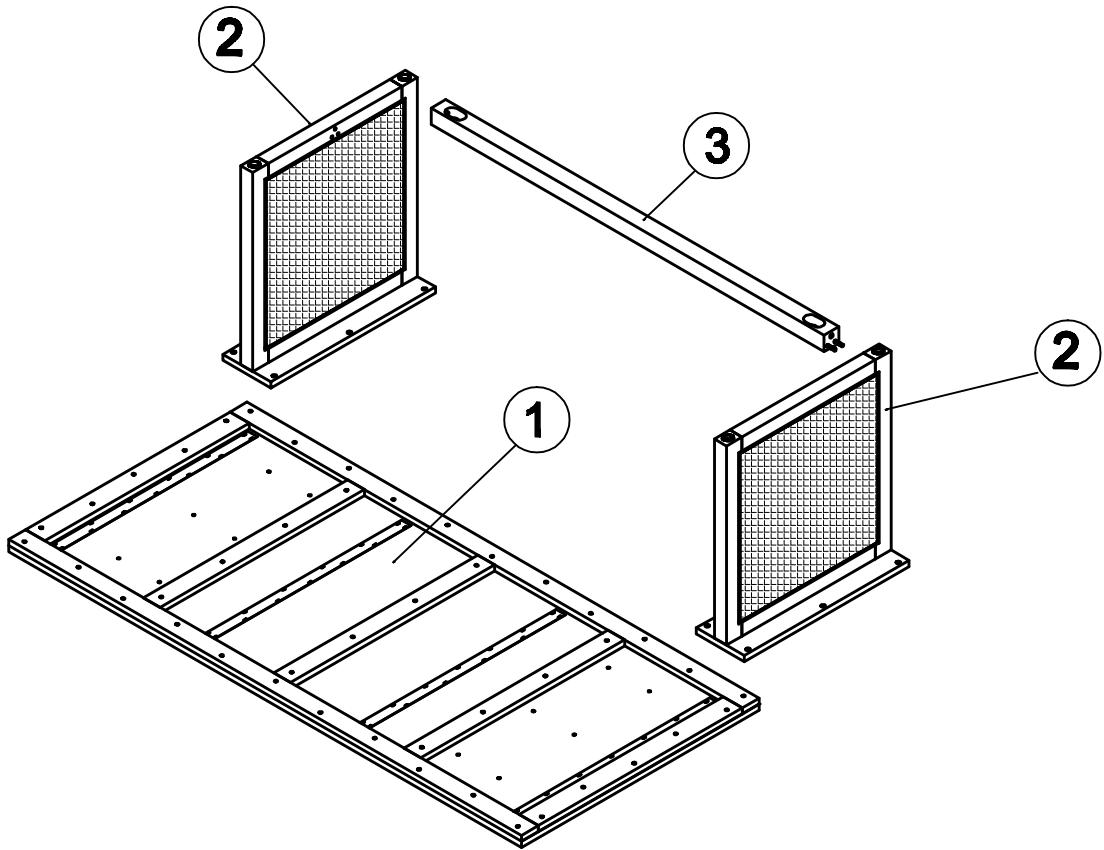
DINING TABLE

Thank you for purchasing this quality product. Be sure to check all packing material carefully for small parts which may have come loose inside the carton during shipment. Identify and count all parts and compare with the parts list below.

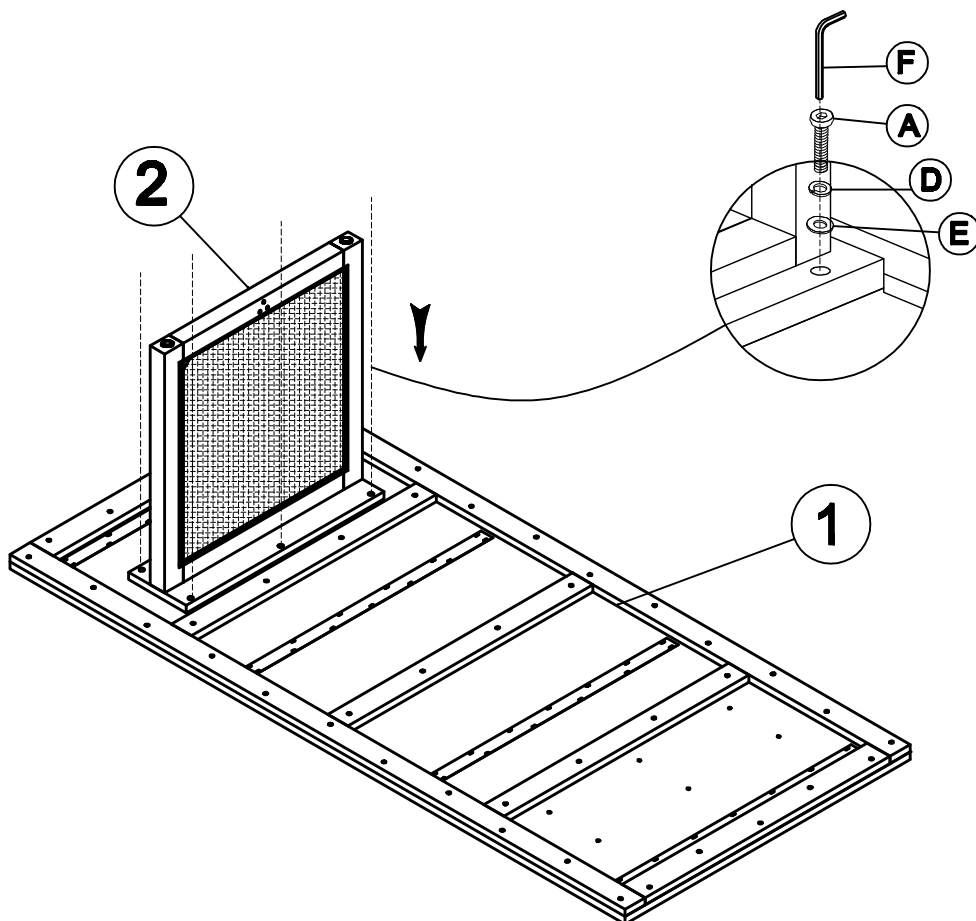


HARDWARE LIST			
A		BOLT M8 x 40	12
B		BOLT M6 x 60	2
C		HALF MOON WASHER	2
D		SPRING WASHER	14
E		FLAT WASHER	12
F		M4	1

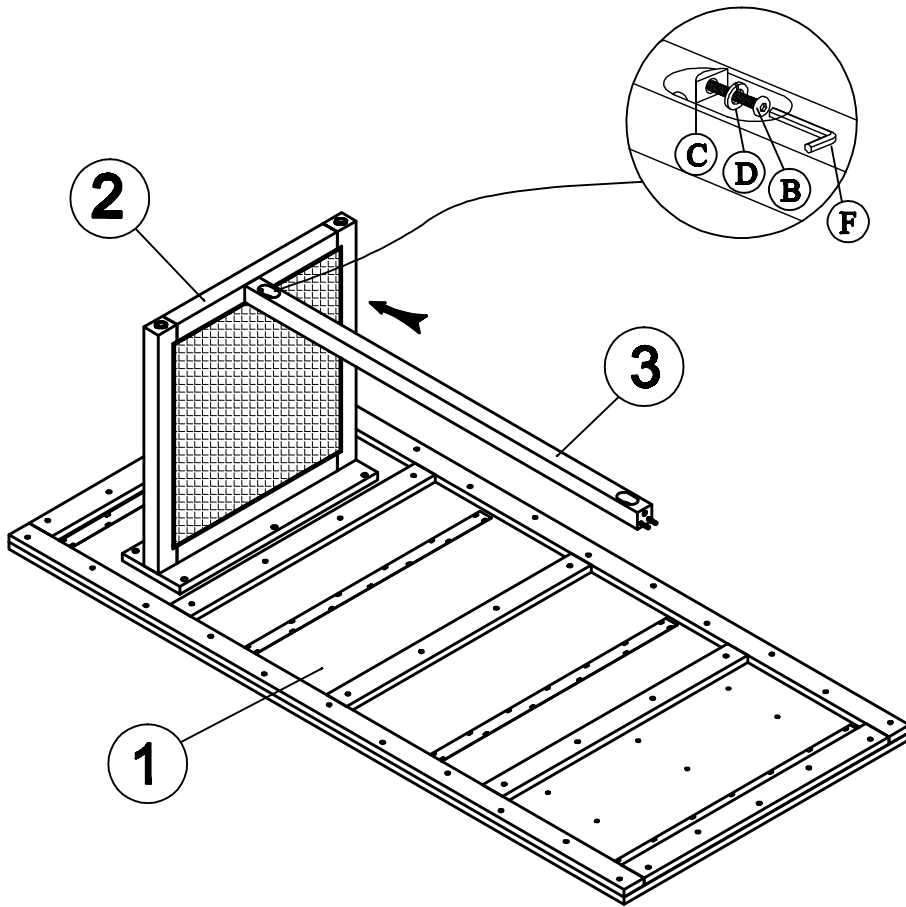




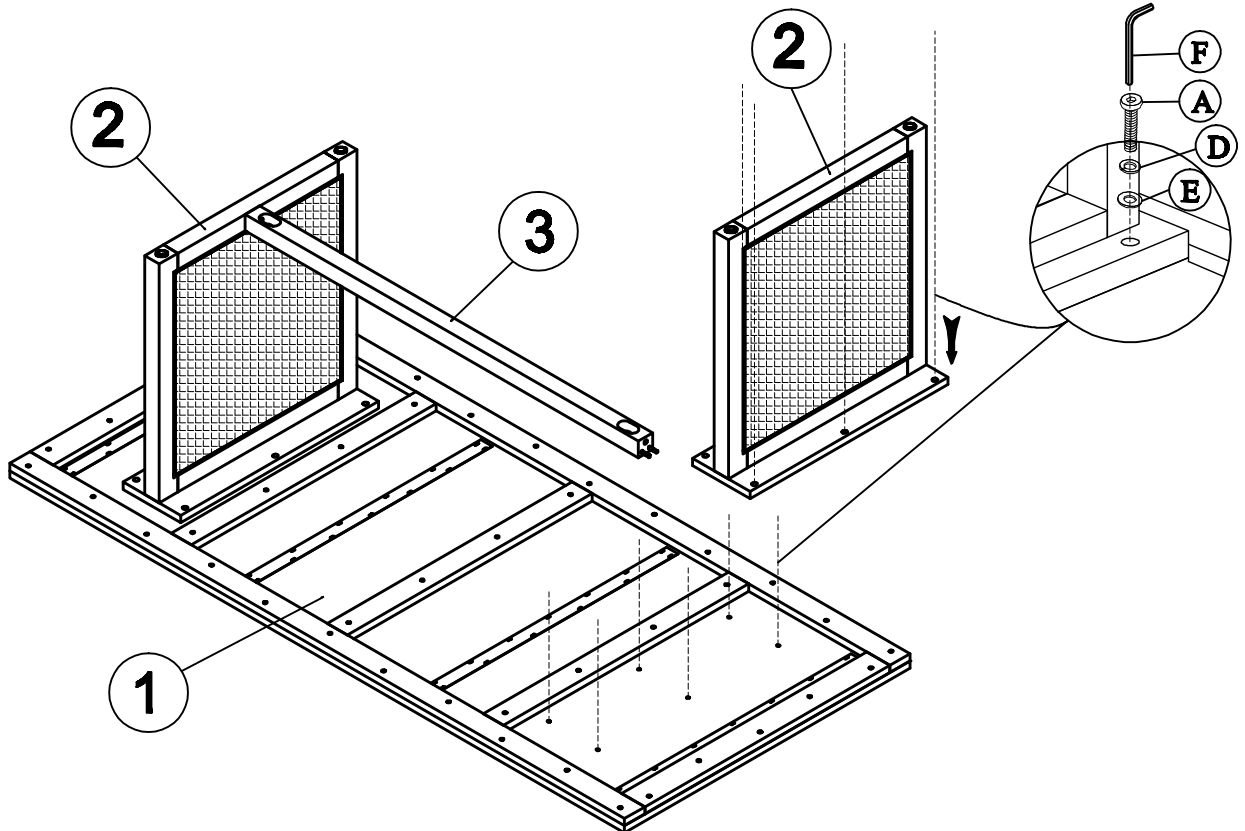
1



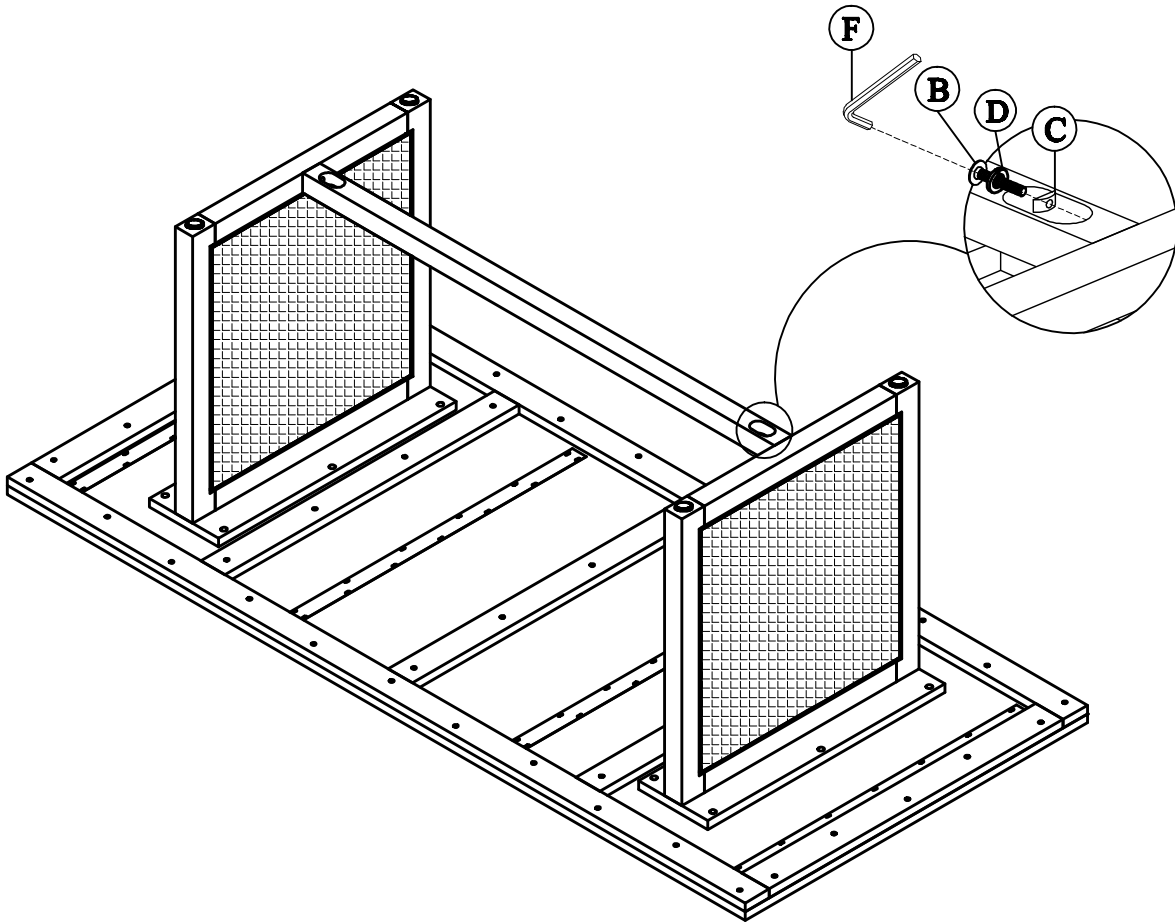
2



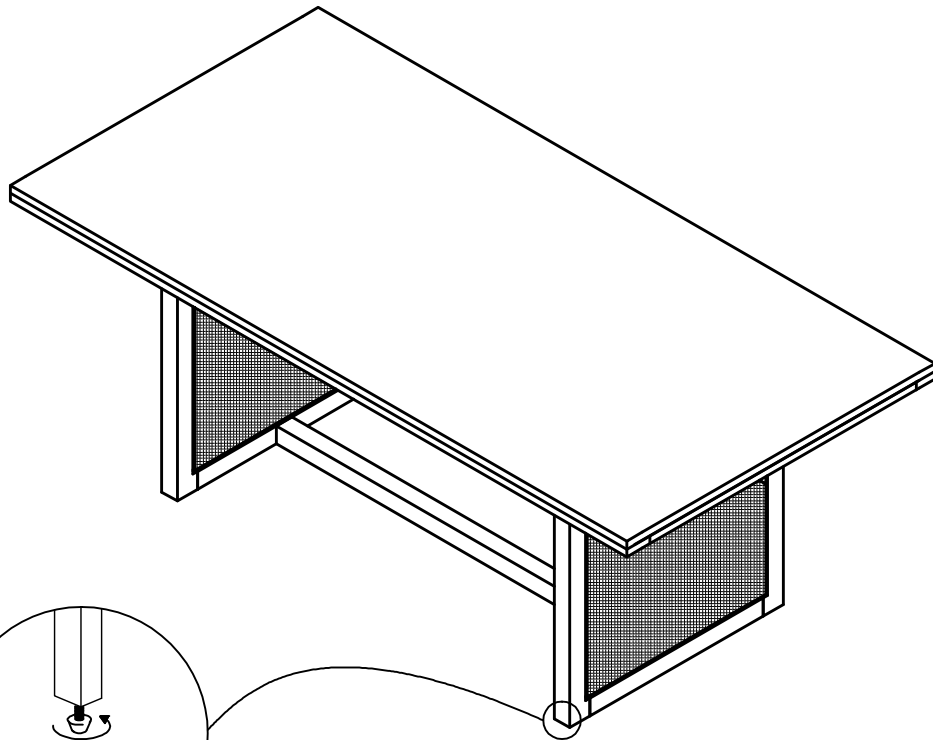
3



4



5



FINISHED

PAGE 4