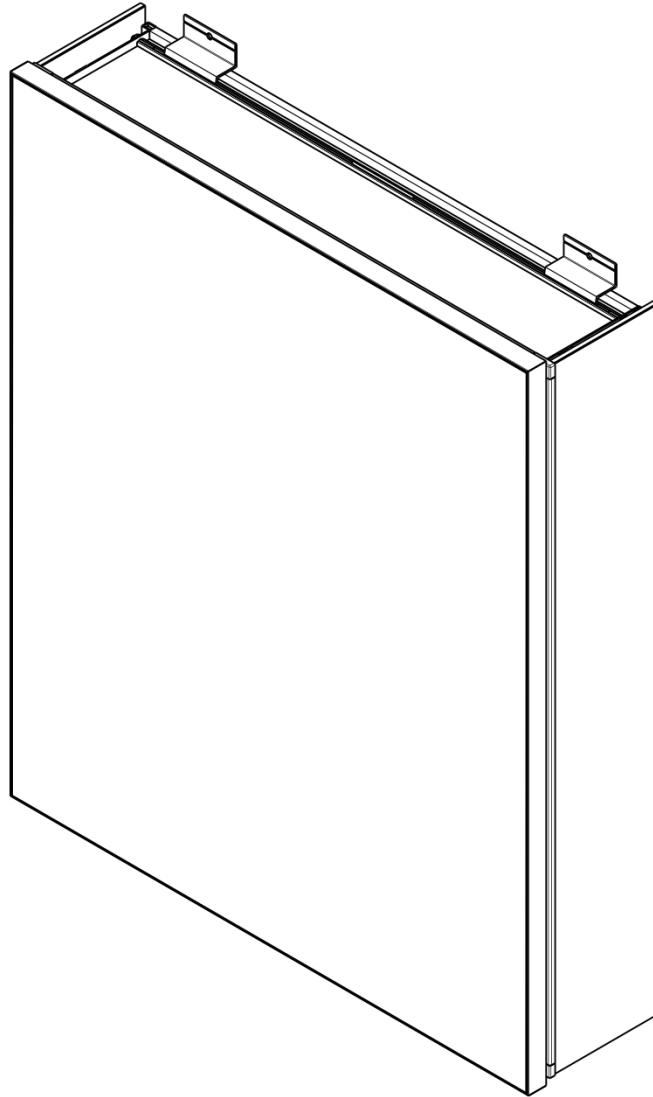
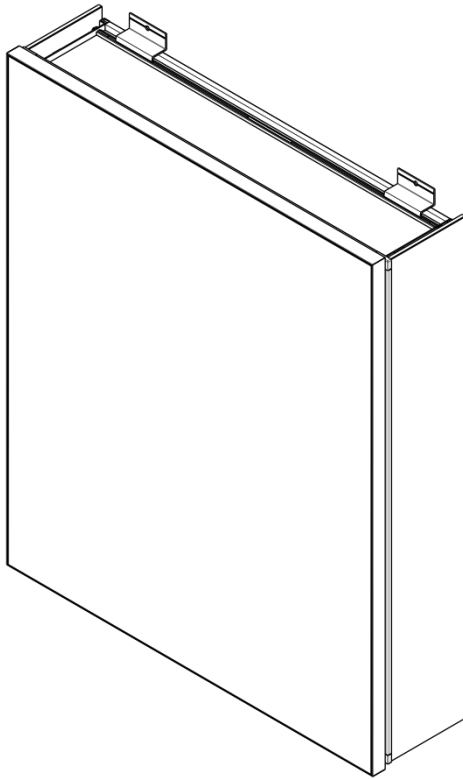


Installation and Operating Manual



Model Specification



- Aluminum Frame
- Single Side Mirror
- Adjustable Shelves
- Quiet Hinge
- Recessed or surface mounting

No.	Dimension	Color	Door Type	Remark
1	16"×24"	Silver	Single door Left or Right	
2	20"×24"	Silver	Single door Left or Right	
3	24"×26"	Silver	Single door Left or Right	
4	30"×24"	Silver	Double Door	
5	36"×24"	Silver	Double Door	



For easy and safe installation, please refer to the following:

Read all instructions thoroughly before installing the enclosed product. Read and take note of all **Safety Precautions**, care and maintenance information.

PLEASE KEEP THIS INSTRUCTION MANUAL FOR FUTURE REFERENCE DURING PRODUCT OPERATION AND MAINTENANCE.



WARNING AND SAFETY INSTRUCTIONS

Before installing your Medicine Cabinet, please make sure that you carefully read through this instructions sheet, refer back to them during installation to ensure your product is fitted safely and correctly. Keep the instruction for future use.

WARNING

- Suitable for indoor use only. This product should be positioned well away from curtains and fabrics. Never cover the mirror.
- Regularly check any parts for damage, if any part is damaged the product should not be used.

INSTALLATION SAFETY

- Inspect the product immediately upon receipt for any possible damage during transportation or missing parts. Handle the product with care and protect against knocks to all sides and edges of the glass.
- Ensure there are no hidden pipes or cables in the wall before drilling and sawing.
- Wear suitable safety glasses when drilling. Take care if drilling on tiled surfaces in case the drill slips.

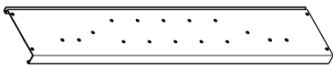
CAUTION

NOTE: The important safeguards and instructions that appear in this manual are not meant to cover all possible conditions and situations that may occur. It must be understood that common sense, caution and care are factors that can't be built into any product. These factors must be supplied by the person(s) caring for and operating the fixture. Do not install this fixture in hazardous locations.

PARTS SUPPLIED

Vertical Panels

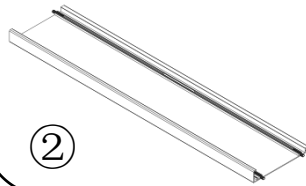
×2



①

Horizontal Panels

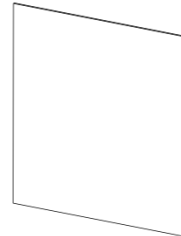
×2



②

Backboard

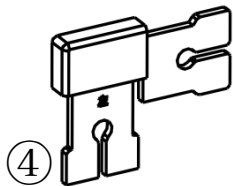
×1



③

Cabinet Connectors (L)

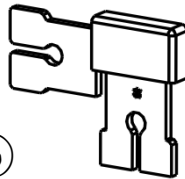
×4



④

Cabinet Connectors (R)

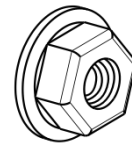
×4



⑤

Flange Nuts

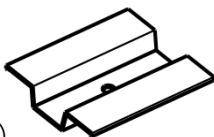
×10



⑥

Side Mirror Bracket

×4



⑦

Screws with base and decorative cover

×4



⑧

M4 Screws A

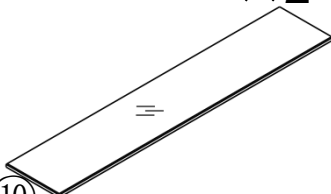
×6



⑨

Shelves

×2



⑩

Shelves support Clips

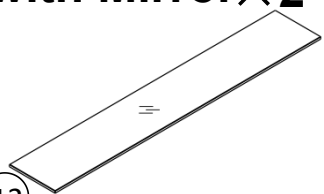
×10



⑪

Side panels with Mirror

×2



⑫

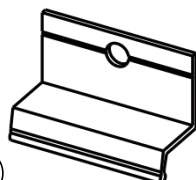
PARTS SUPPLIED

**Bottom Mounting
Bracket** ×1



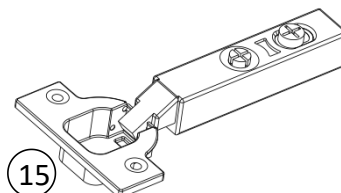
(13)

**Upper Mounting
Clips** ×2



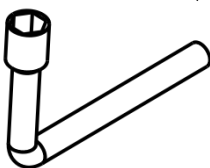
(14)

Hinges
×2~4



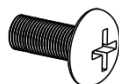
(15)

**Hexagonal
socket wrench**
×1



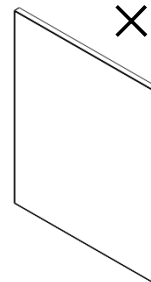
(16)

**M4 Screws
B** ×6~10



(17)

Door
×1~2



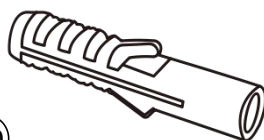
(18)

Anchor Screws
×5~7



(19)

Anchors
×5~7



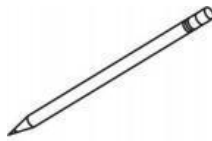
(20)

TOOLS REQUIRED

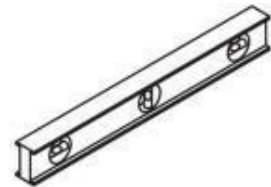
**Electric hand
Drill**



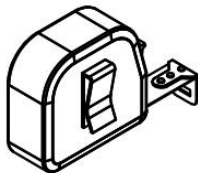
Pencil



Level



Tape



Gloves



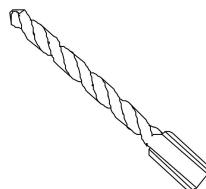
Safety Glasses



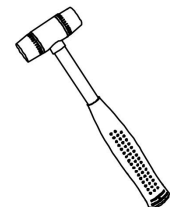
**Phillip
Screw Driver**



**Drill Bit
8mm(5/16")**



Hammer



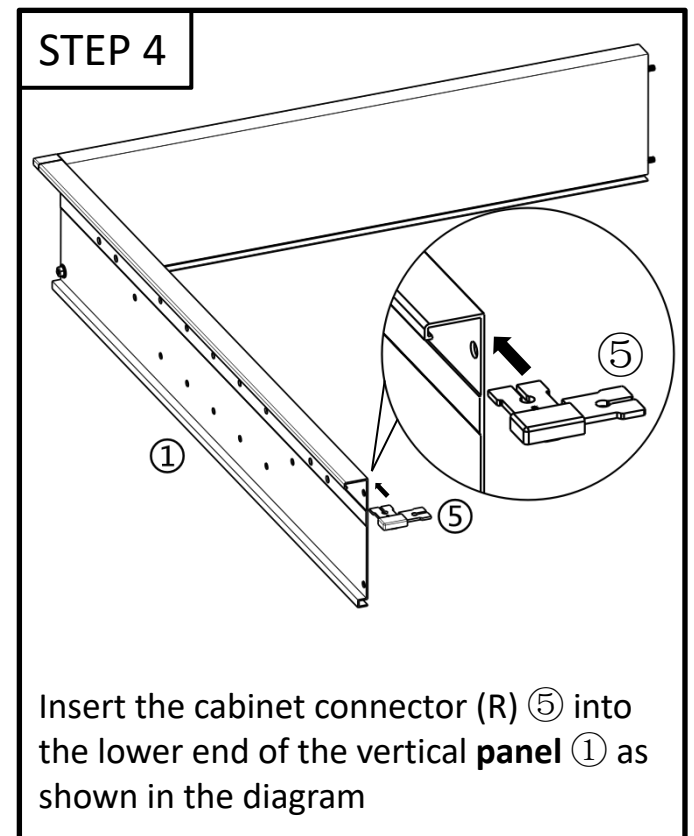
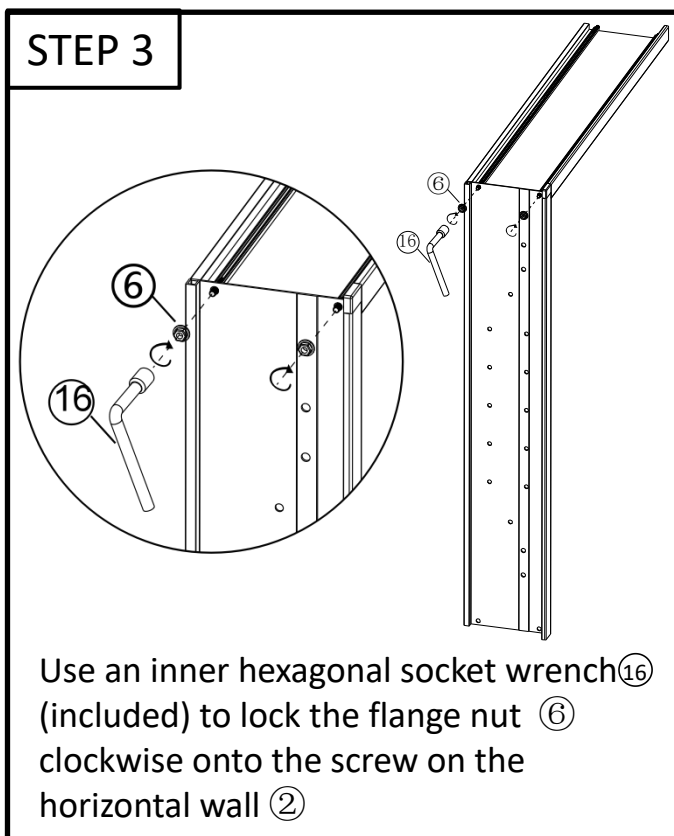
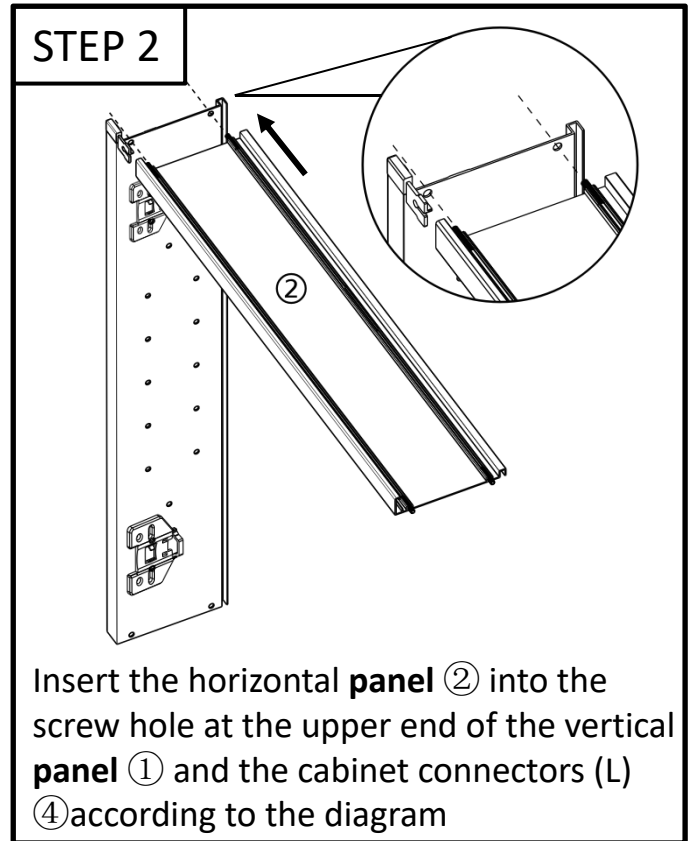
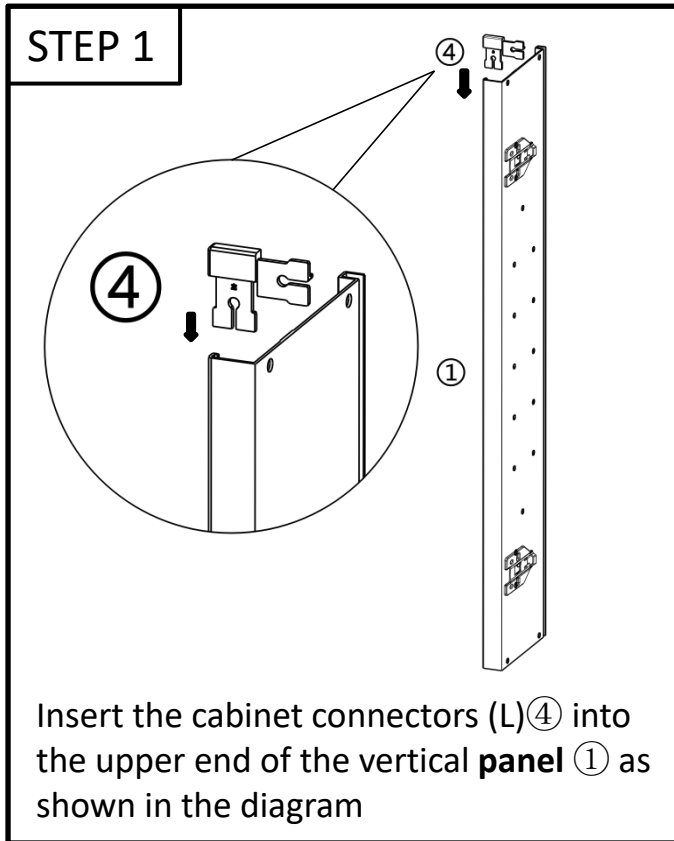
Installation Instruction



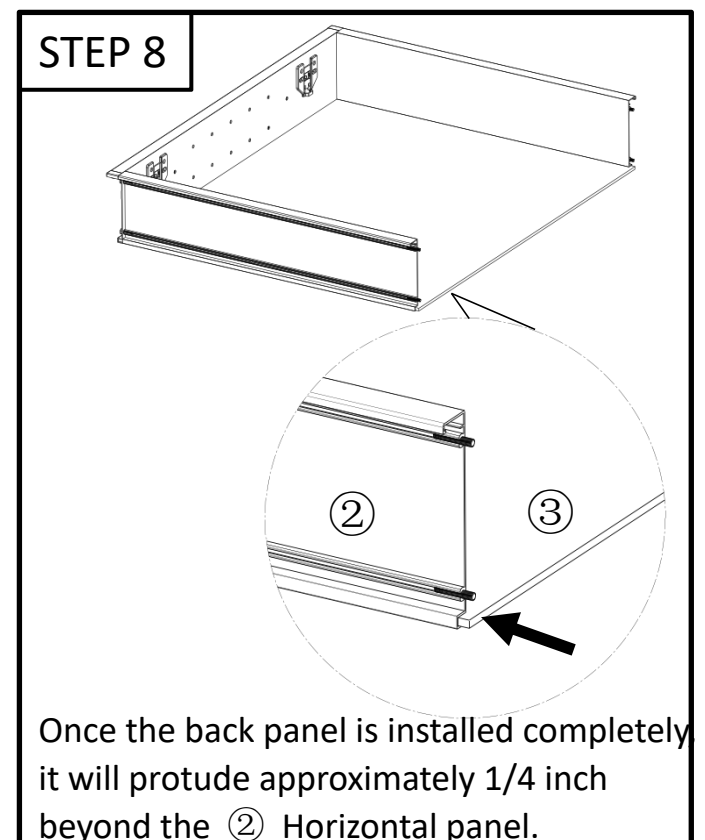
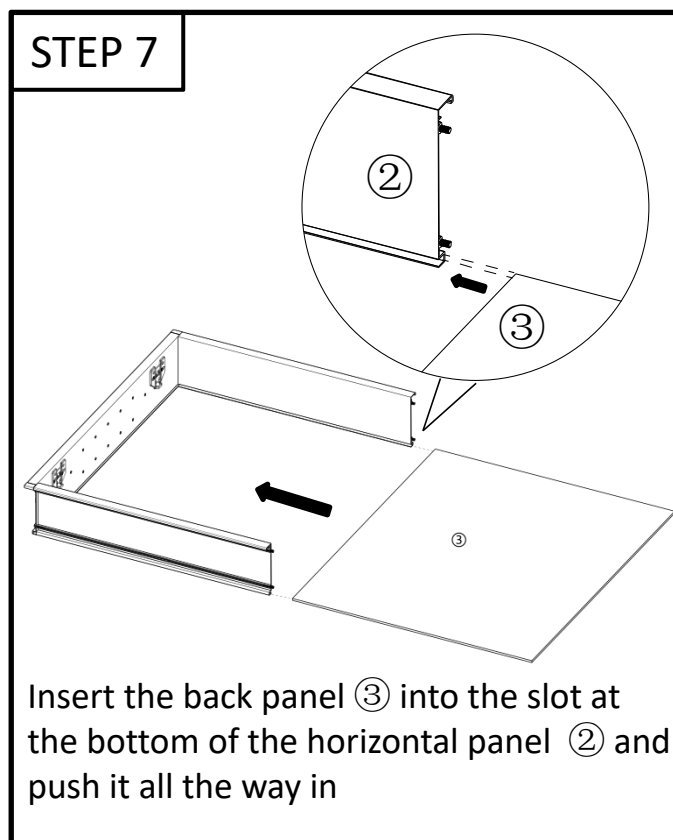
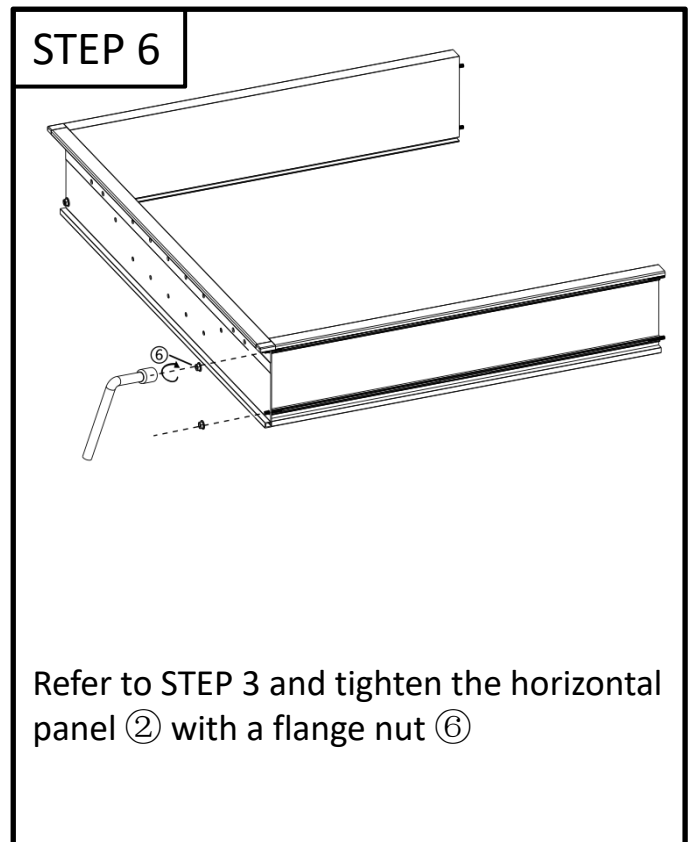
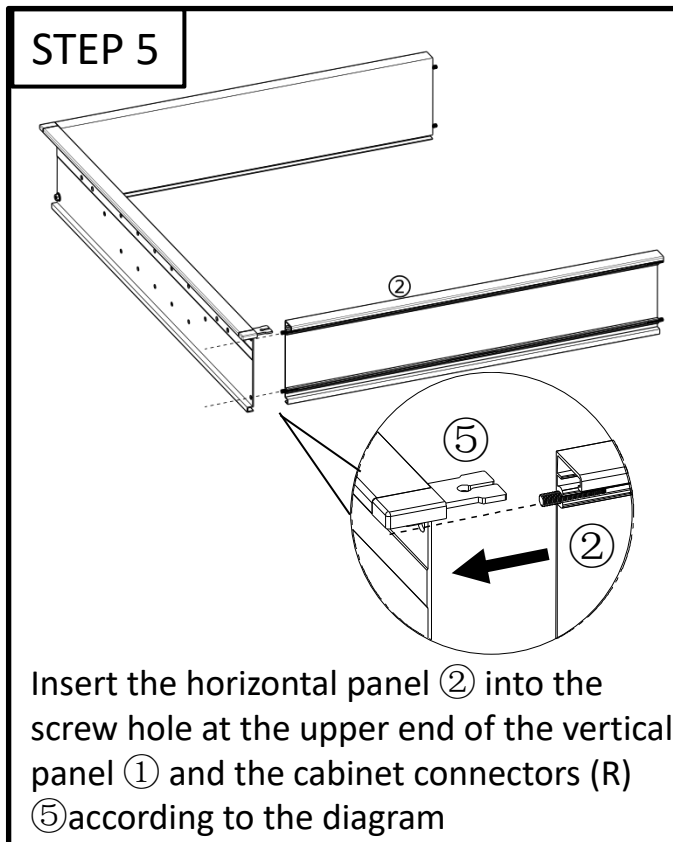
The medicine cabinet supports two installation methods:
1.Surface Installation and **2.Embedded Installation**.

Please choose the installation way as needed.

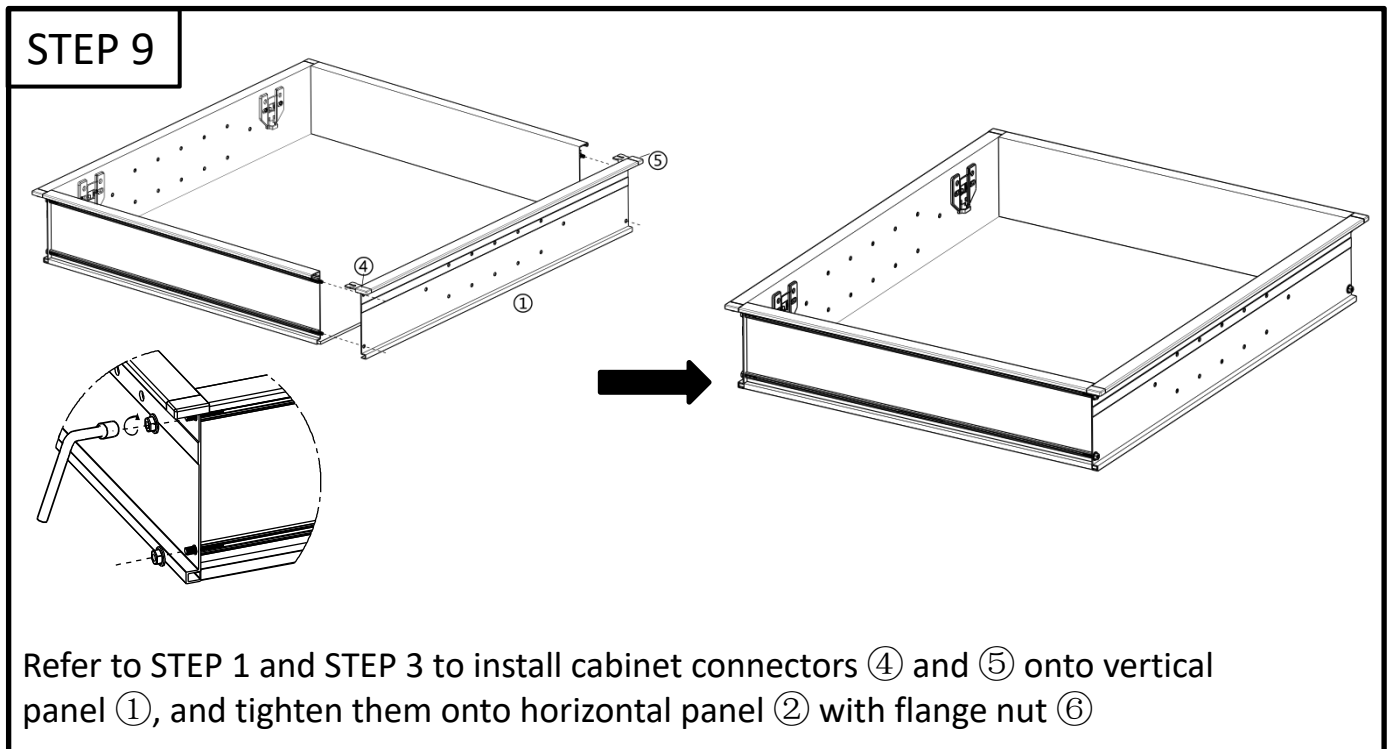
Cabinet assembly



Cabinet assembly



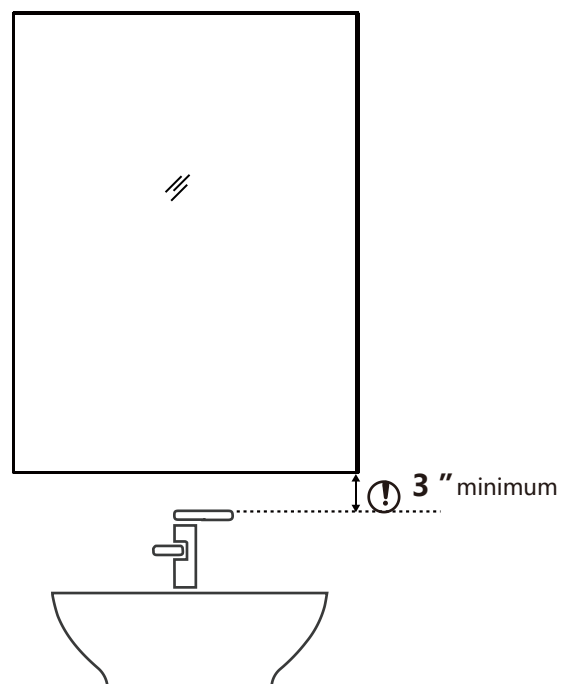
Cabinet assembly



Surface Installation Instruction

Place the medicine cabinet against the wall and mark the place of the cabinet. Draw a line on the wall with a level using a marker to indicate where the cabinet bottom is.

Attention: Please hang the cabinet at least 3 inches above the faucet.



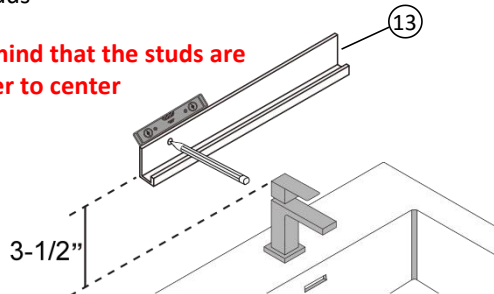
STEP 1

Surface Installation Instruction



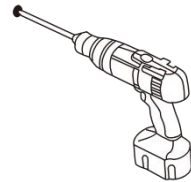
Bottom mounting brackets (13) must be attached to furring strip/channel or wall studs

Keep in mind that the studs are 16" center to center



Mark spots for the bottom bracket.

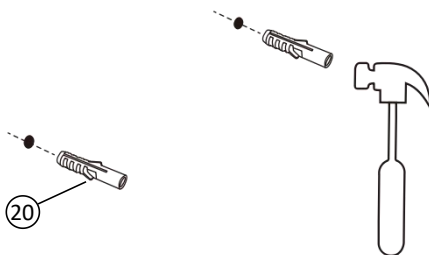
STEP 2



0

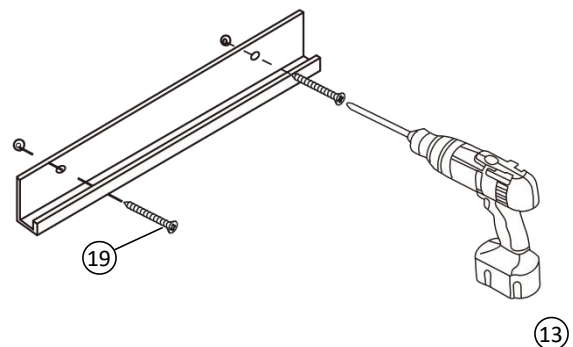
STEP 3

Drill holes in the wall.



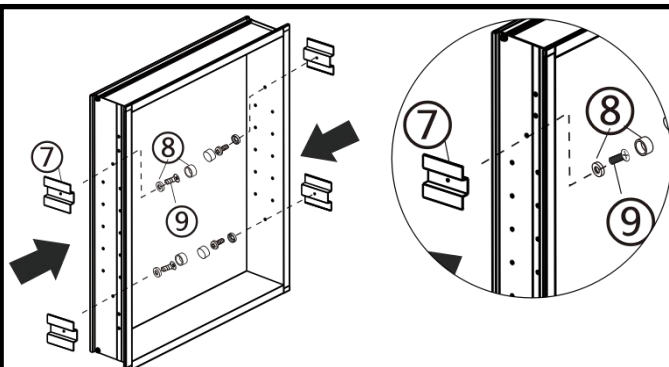
Plug the plastic anchors (20) into the holes. (If needed)

STEP 4



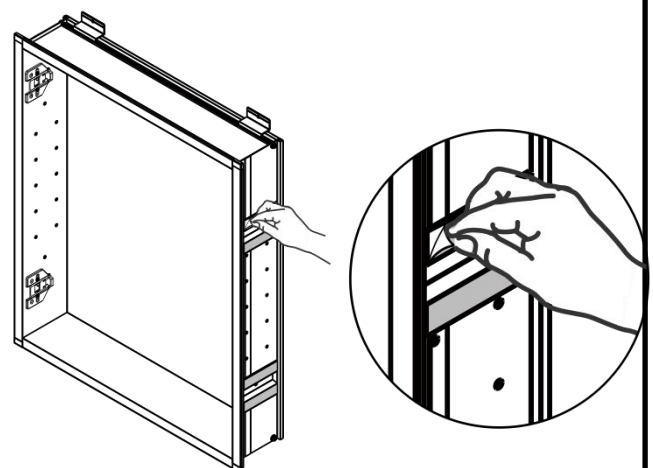
Fasten the mounting bracket to the wall.

STEP 5



Install a screw base into an M4 screw A (8) (9), then connect it to the side mirror bracket (7) through the vertical wall and tighten it. Press in the screw decorative cover (9) on its base. Repeat this operation for all four (4) brackets.

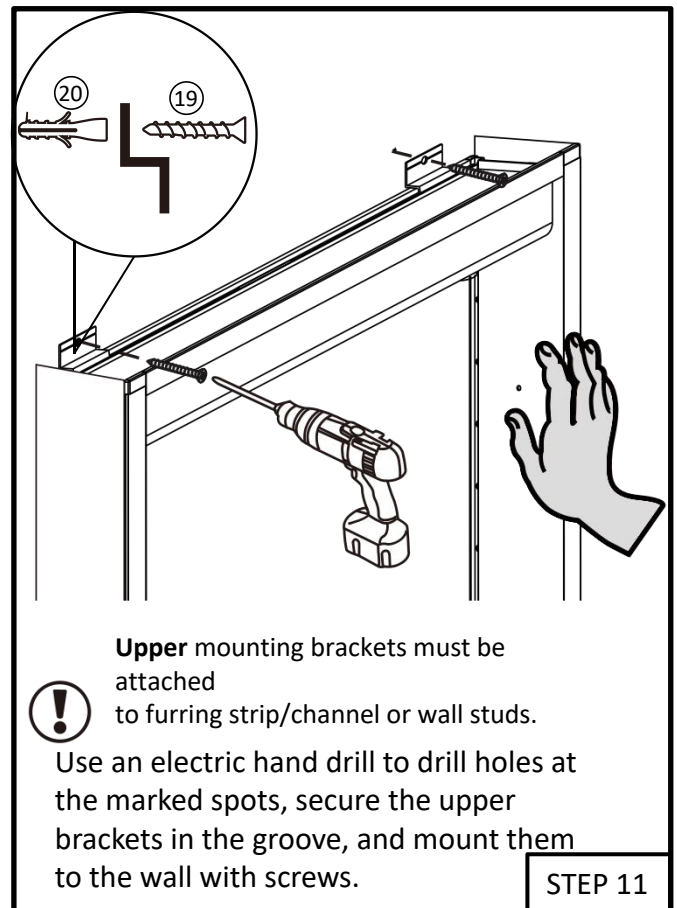
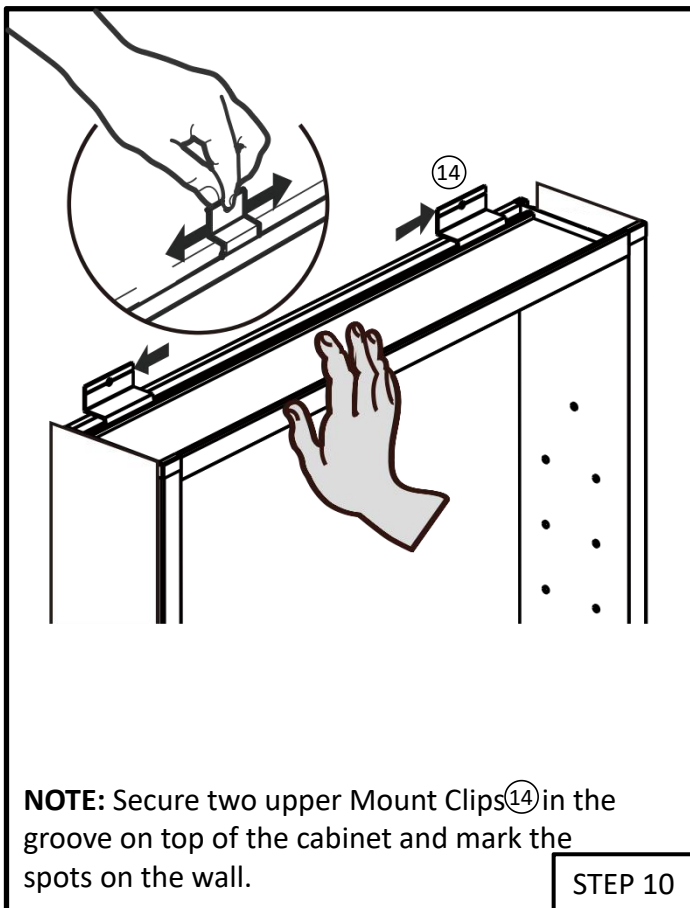
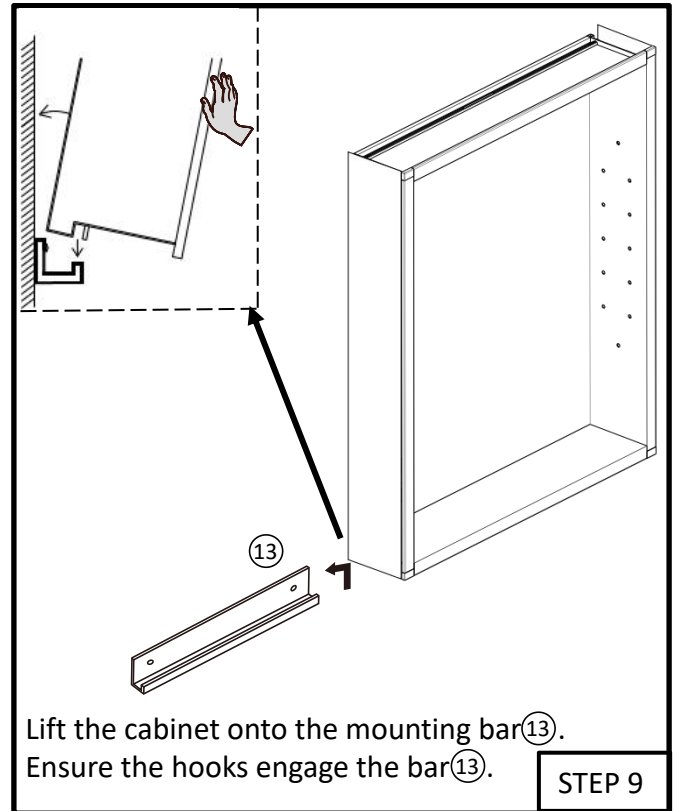
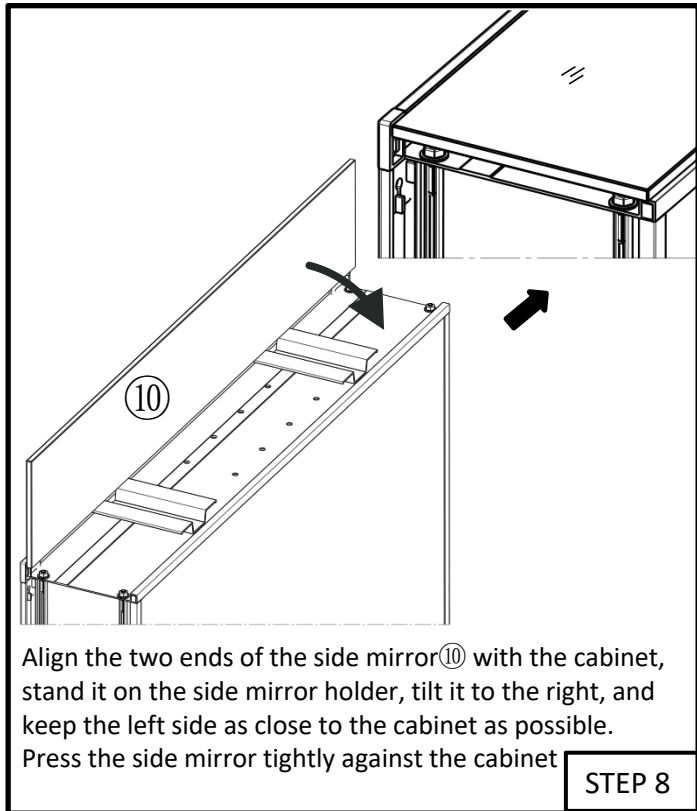
STEP 6



Remove the adhesive tape film on the side mirror brackets (7) on both sides of the cabinet

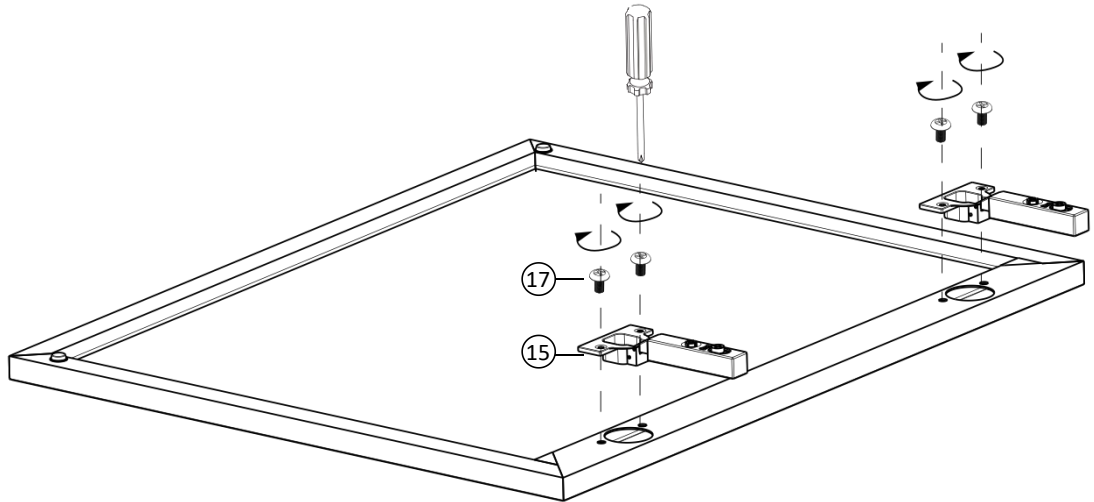
STEP 7

Surface Installation Instruction



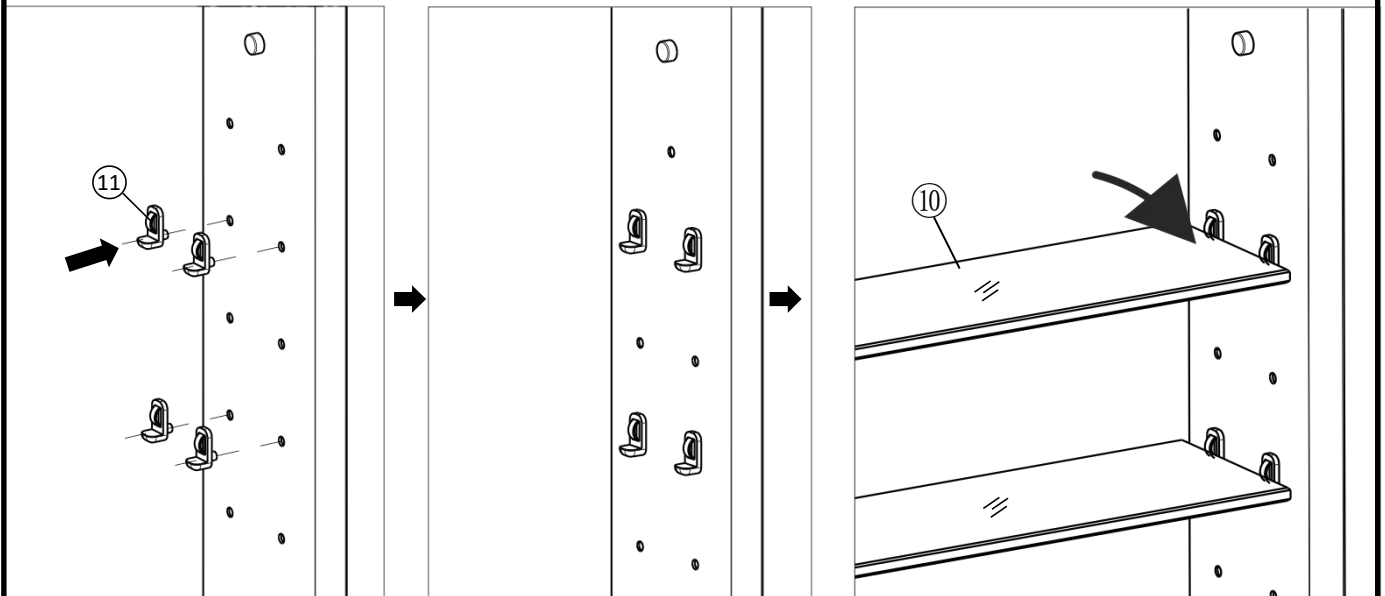
Surface Installation Instruction

STEP 12



Install hinge ⑮ onto mirror door ⑱ with M4 screw B ⑲.

Insert clear snap-in shelf clips into holes on the side panels of the cabinet.

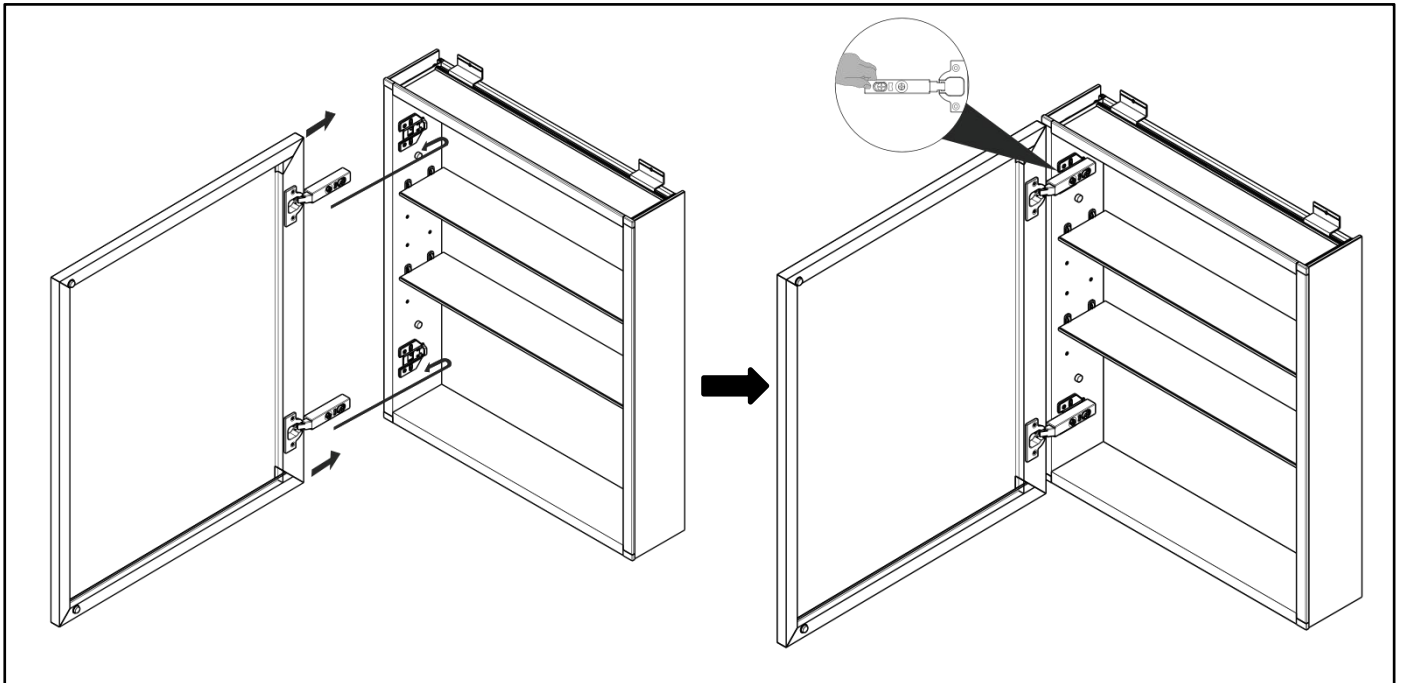


Insert the Shelf Clips ⑪ into the holes on both sides as shown in the diagram, then place one end of the Shelves ⑩ onto the left Shelf Clips ⑪ first, and then firmly press it down into the Shelf Clips ⑪ on the right side

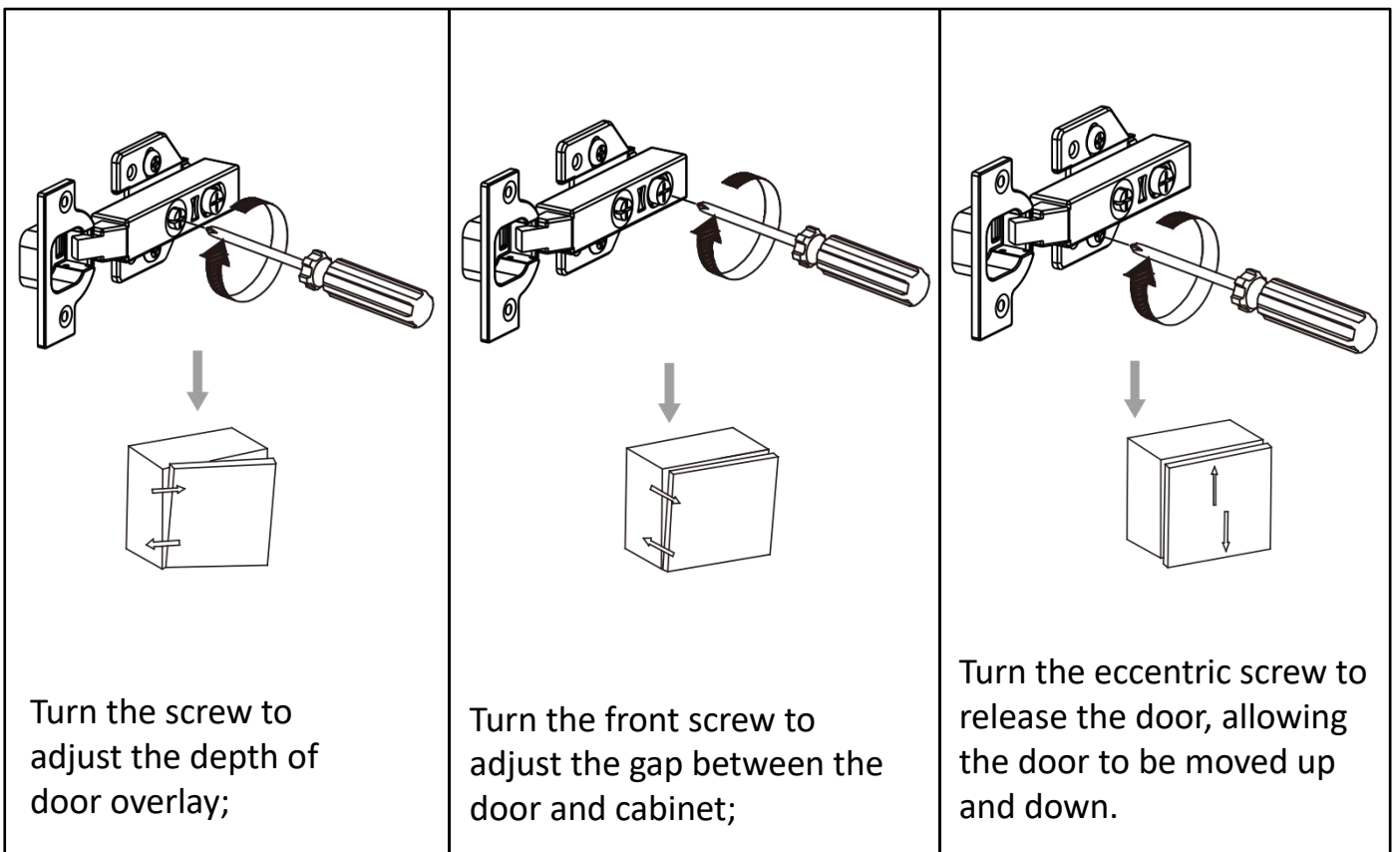
STEP 13

Step14: Cabinet Door Installation

1. Insert the hinges to the base ,then connect the doors with the cabinet

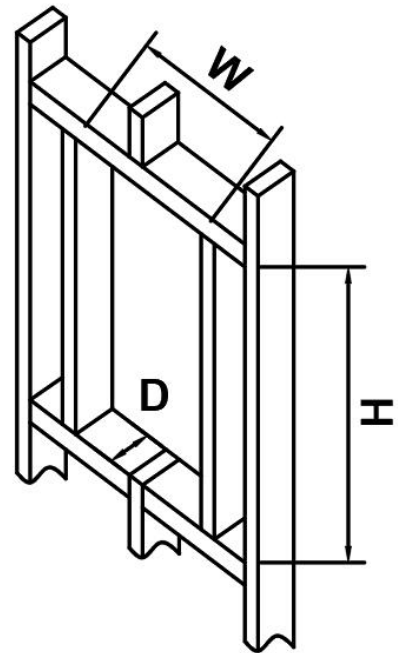


2. hinge adjustment



Embedded Installation Instruction

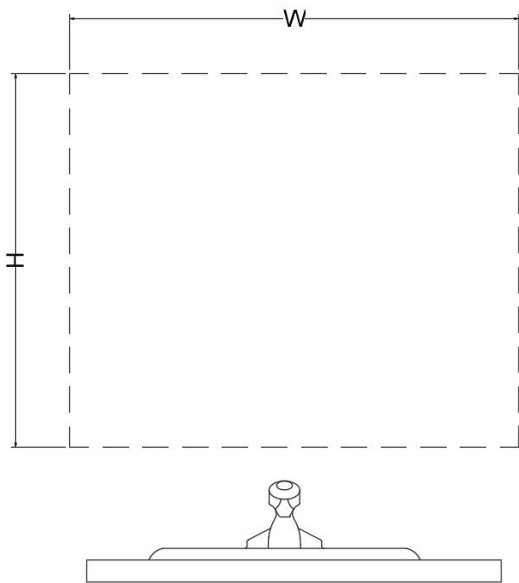
Before installing, it is necessary to determine the opening size, which can be referred to in the table below.



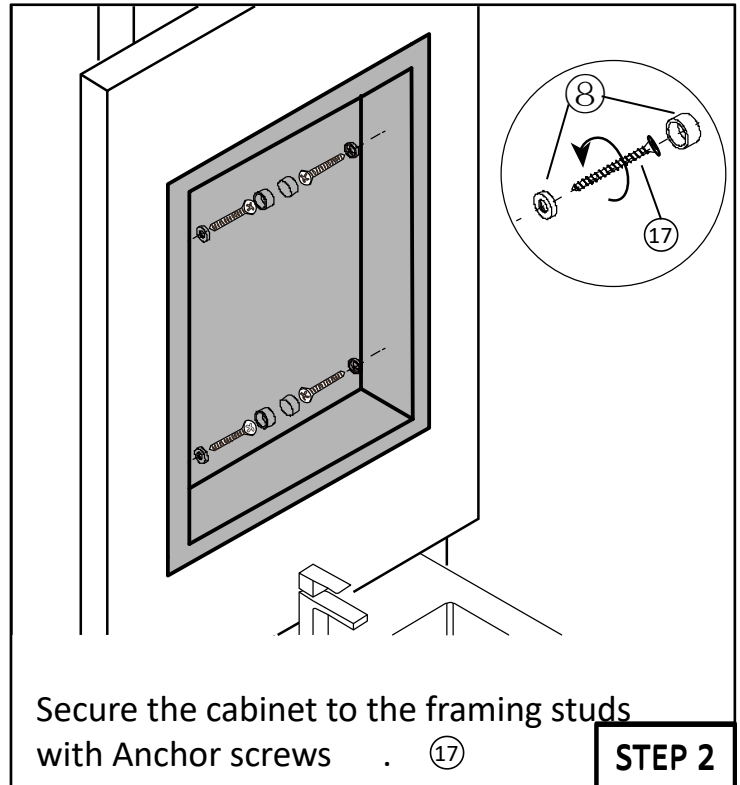
Actual cabinet		Wall opening dimensions for embedded installation all in Inches.		
No.	Dimensions	W (Width)	H (Height)	D (Depth)
1	16" × 24"	15-1/4	22-7/8	4
2	20" × 24"	19-1/4	22-7/8	4
3	24" × 26"	23-1/4	24-7/8	4
4	30" × 24"	29-1/4	22-7/8	4
5	36" × 24"	35-1/4	22-7/8	4

Embedded Installation Instruction

Determine the size of the opening

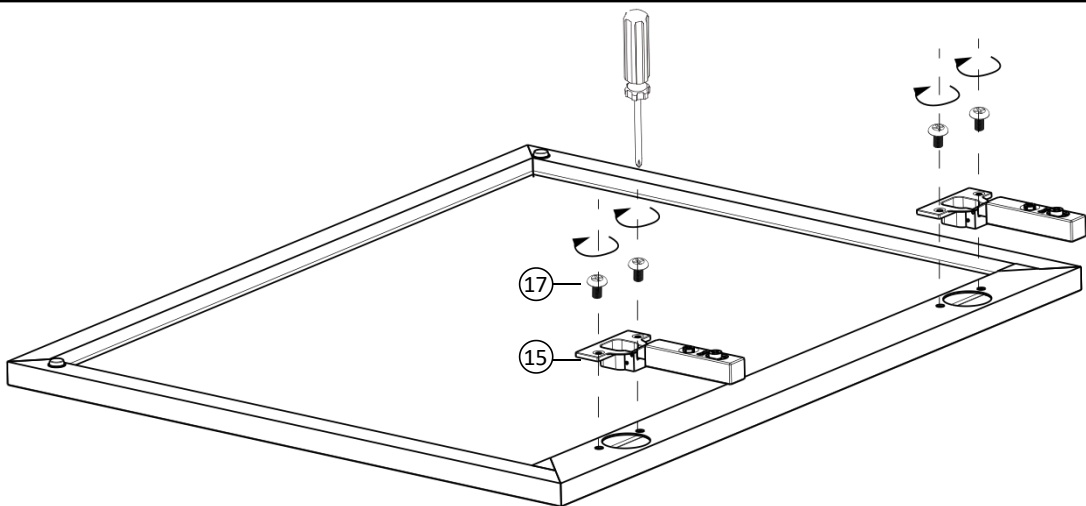


STEP 1



STEP 2

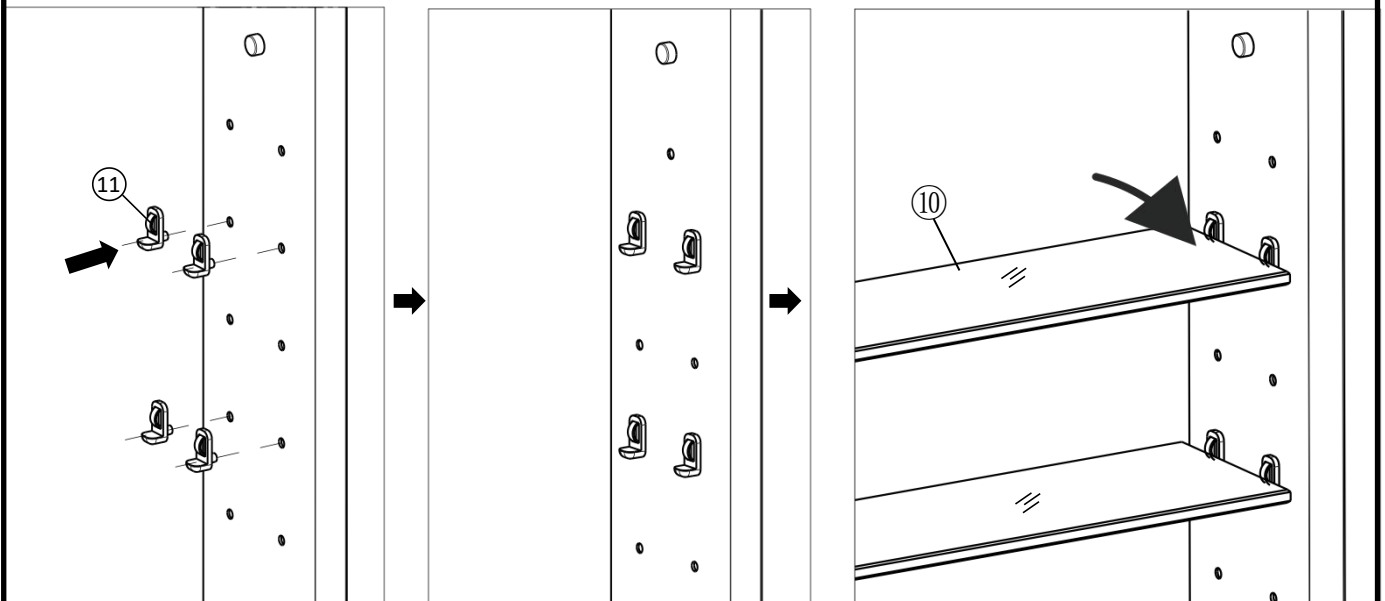
STEP 3



Install hinge (15) onto mirror door (18) with M4 screw B(18).

*All diagrams are for reference only. All model dimensions and proportion position will vary.

Insert clear snap-in shelf clips into holes on the sides of the cabinet.

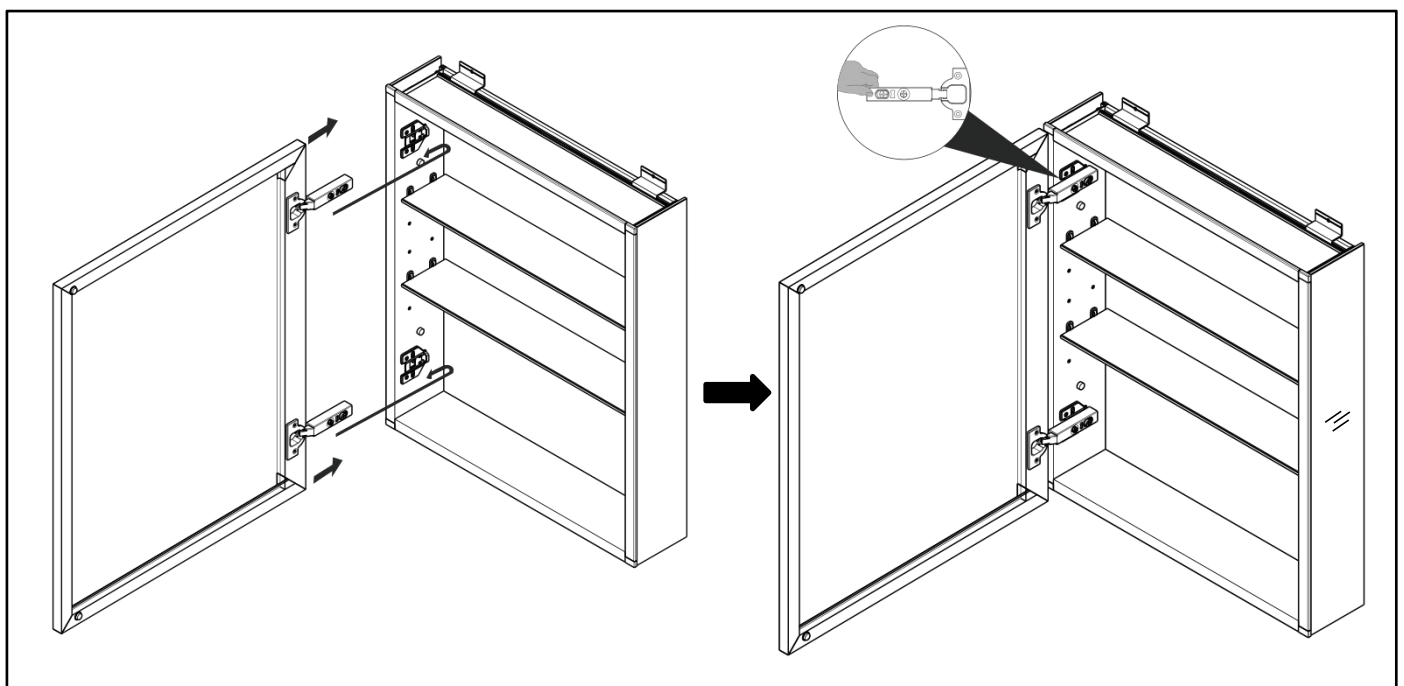


Insert the Shelf Clips ⑪ into the holes on both sides as shown in the diagram, then press one end of the Shelves ⑩ onto the left Shelf Clips ⑪ first, and then firmly press it down into the Shelf Clips ⑪ on the right side

STEP 4

Step 5: Cabinet Door Installation

1. Insert the hinges to the base, then connect the doors with the cabinet



Step 6: Cabinet Door Installation

2. hinge adjustment

