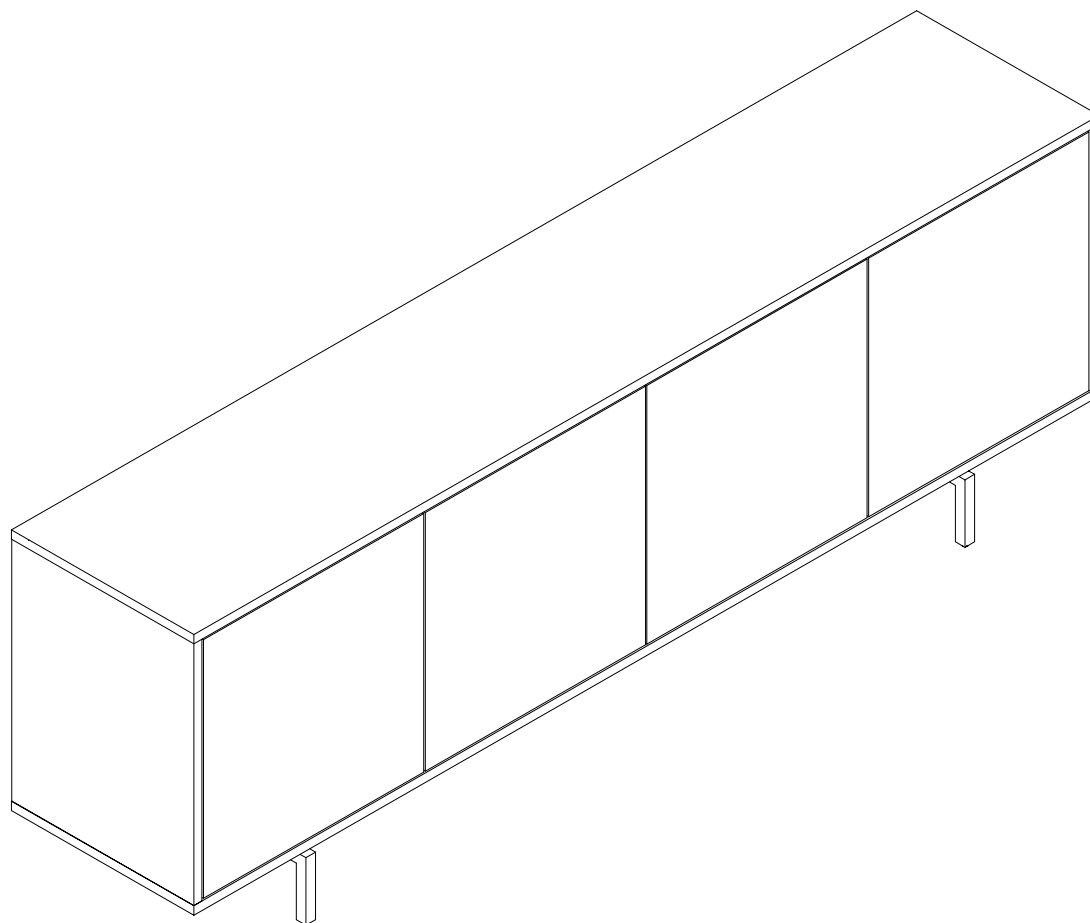


**ASSEMBLY INSTRUCTIONS:**  
**TV CONSOLE**



## ASSEMBLY INSTRUCTIONS

Read these instructions carefully and keep for future reference. Refer to parts inventory for guidance, and ensure you have all pieces before starting.

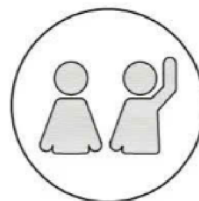
When assembling, place all parts on a soft, clean, and flat surface such as a carpet to prevent scratches.

Attention : Veuillez Lire Toutes Les Instructions Avant De Commencer L'assemblage De Ce Produit. Les Pièces Sont Lourdes. Pour Éviter Toute Blessure Et Pour Vous Assurer Que Le Produit N'est Pas Endommagé Pendant L'assemblage, Nous Vous Recommandons De Faire Appel À Une Ou Plusieurs Autres Personnes.

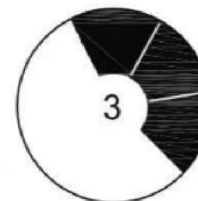
Cuidado: Favor De Leer Todas Las Instrucciones Antes De Ensamblar Su Producto. Estas Piezas Son Pesadas. Para Prevenir Heridas Personales Y Asegurar Que Su Producto No Sea Dañado Mientras Es Ensamblado, Se Recomienda La Asistencia De Una O Más Personas.



**TIME**



**# OF PEOPLE**

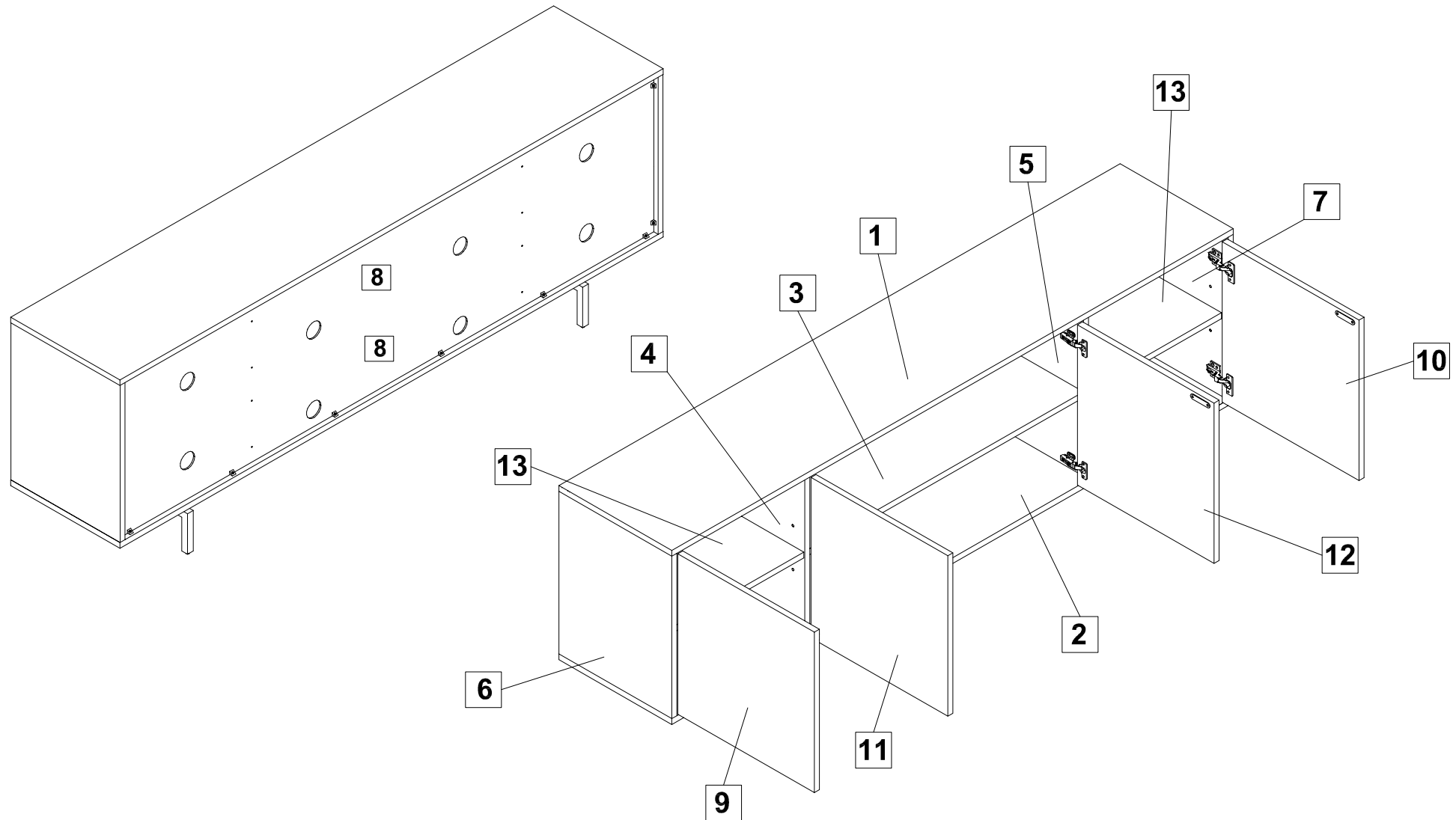


**DIFFICULTY**

**Important: Use hand tools for assembly. Power tools can lead to over-tightening and damage.**








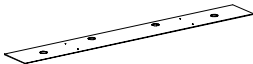





# ASSEMBLY INSTRUCTIONS:

## TV CONSOLE










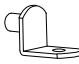





# TV CONSOLE

## Parts List

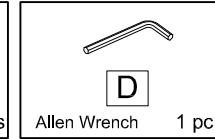
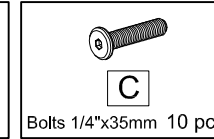
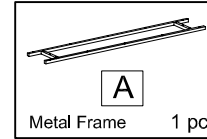
CODE	DESCRIPTION	QTY
<b>1</b>	Top Panel 	1 pc
<b>2</b>	Bottom Panel 	1 pc
<b>3</b>	Fixed Shelf 	1 pc
<b>4</b>	Left Inside Panel 	1 pc
<b>5</b>	Right Inside Panel 	1 pc
<b>6</b>	Left Panel 	1 pc
<b>7</b>	Right Panel 	1 pc
<b>8</b>	Back Panel 	2 pcs
<b>9</b>	Left Side Door 	1 pc
<b>10</b>	Right Side Door 	1 pc
<b>11</b>	Left Middle Door 	1 pc
<b>12</b>	Right Middle Door 	1 pc
<b>13</b>	Adjustable Shelf 	2 pcs

## Hardware List

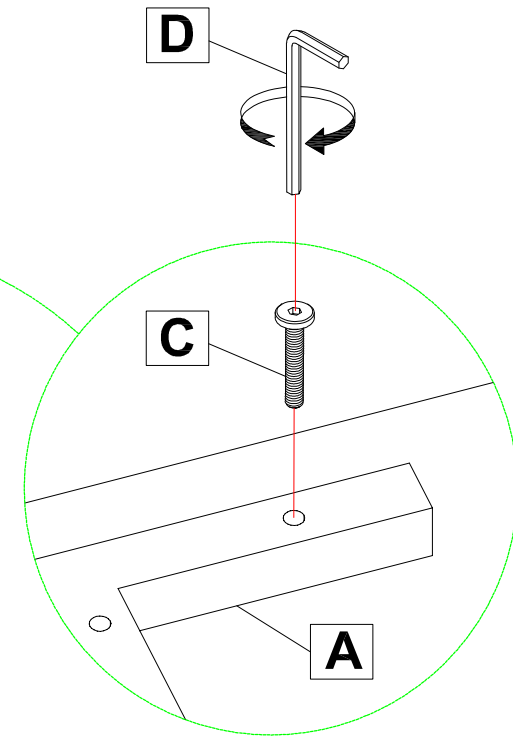
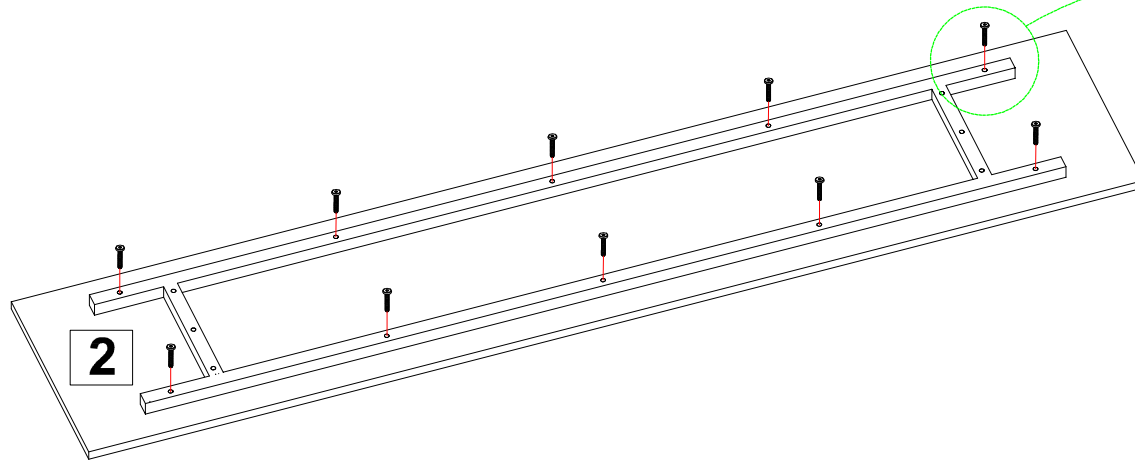
CODE	DESCRIPTION	QTY
<b>A</b>	Metal Frame 	1 pc
<b>B</b>	Metal Legs 	2 pcs
<b>C</b>	Hex-Head bolts 1/4"x35mm 	10 pcs
<b>D</b>	Allen Wrench 	1 pc
<b>E</b>	Hex-Head bolts 1/4"x60mm 	6 pcs
<b>F</b>	Magnetic catcher 	4 pcs
<b>G</b>	Wood Screws M4x15mm 	64 pcs
<b>H</b>	Wood Screws M3.5x20mm 	20 pcs
<b>I</b>	Plastic Wedges 	12 pcs
<b>J</b>	Shelf Pin 9mm 	8 pcs
<b>K</b>	Middle Door Hinge 	4 pcs
<b>L</b>	Side Door Hinge 	4 pcs
<b>M</b>	Anti-Tipping Kit 	2 pcs

# TV CONSOLE

1

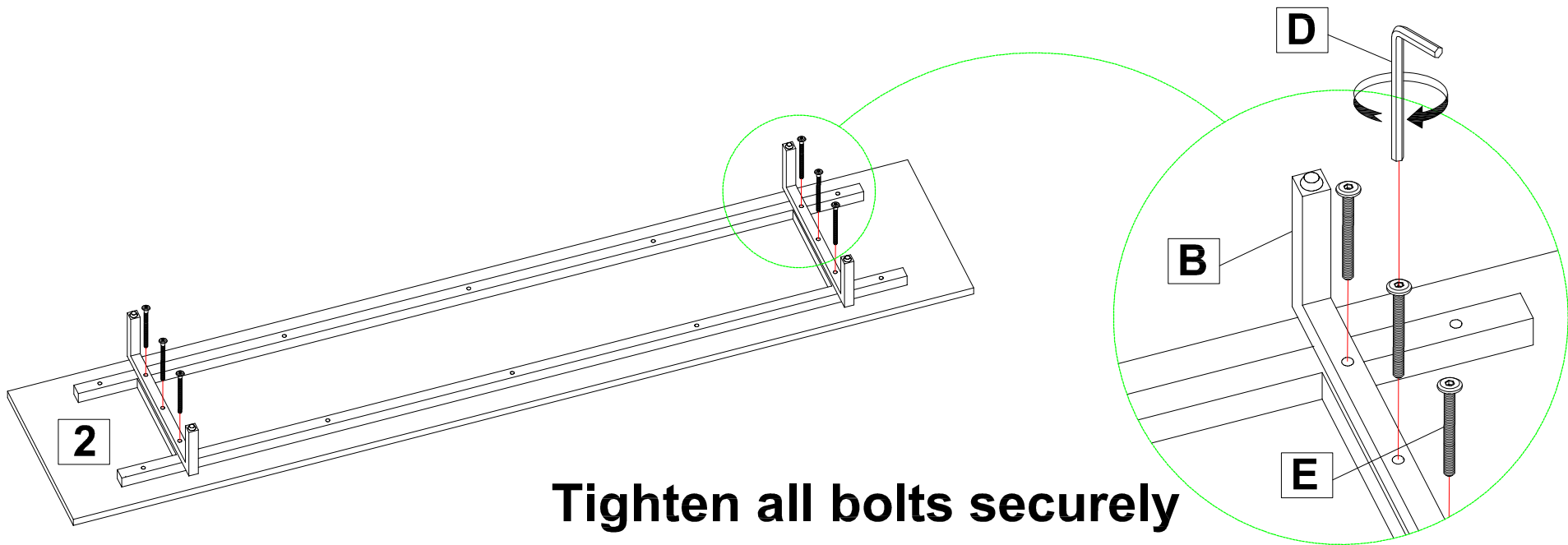
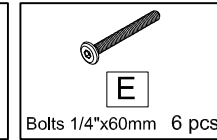
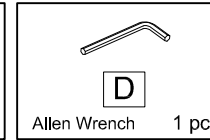
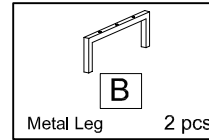


**Please do not tighten the bolts until all the bolts are lined with holes**



# TV CONSOLE

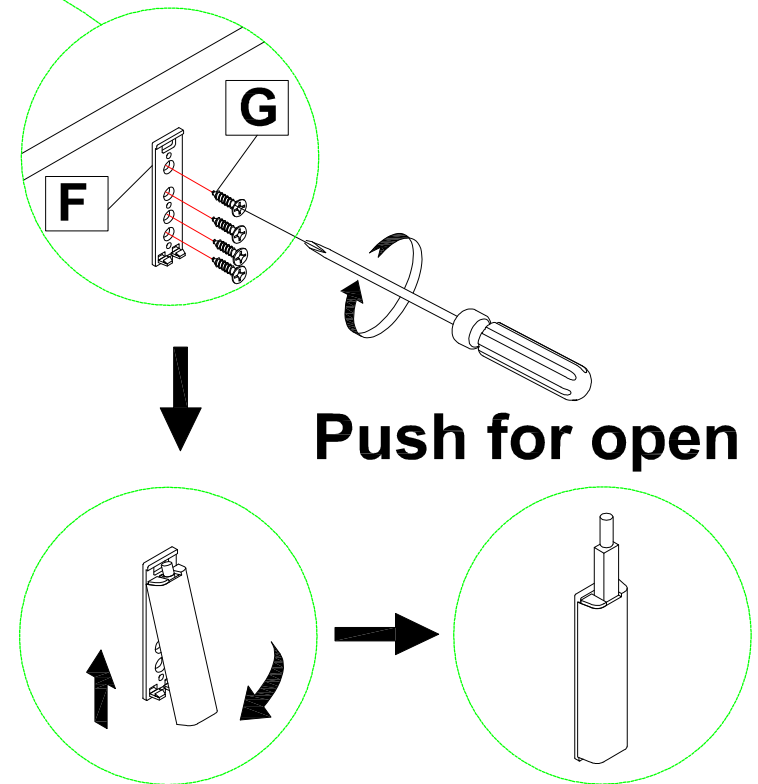
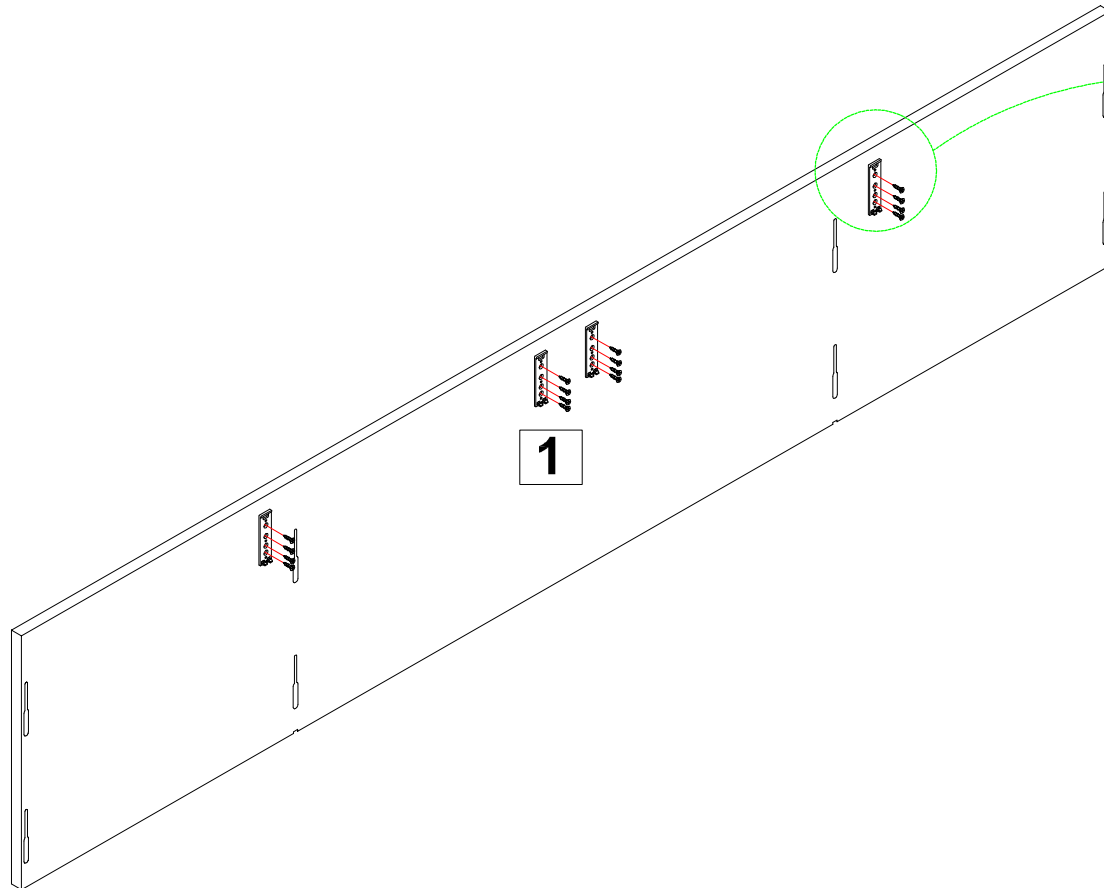
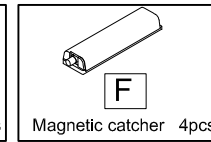
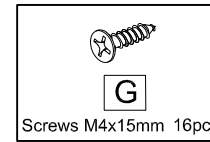
2



**Tighten all bolts securely**

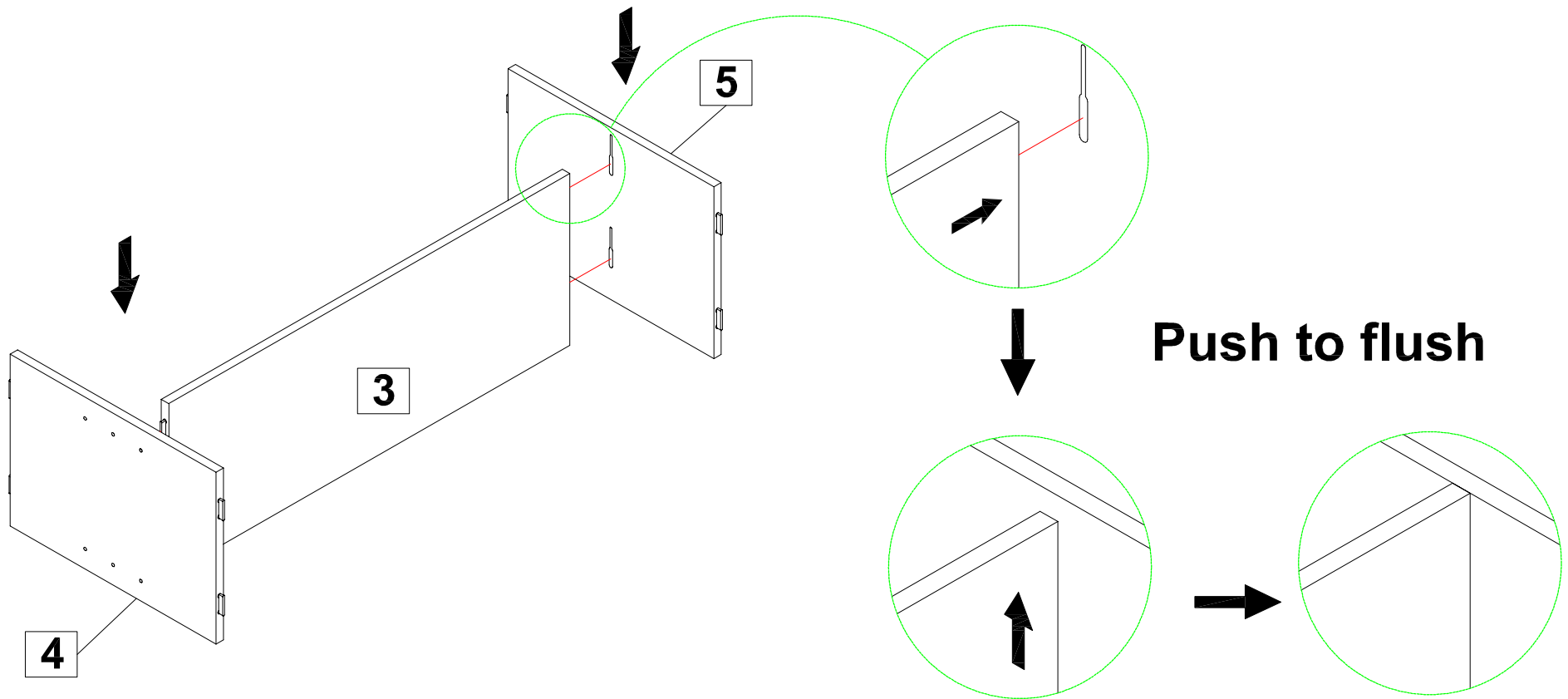
# TV CONSOLE

3



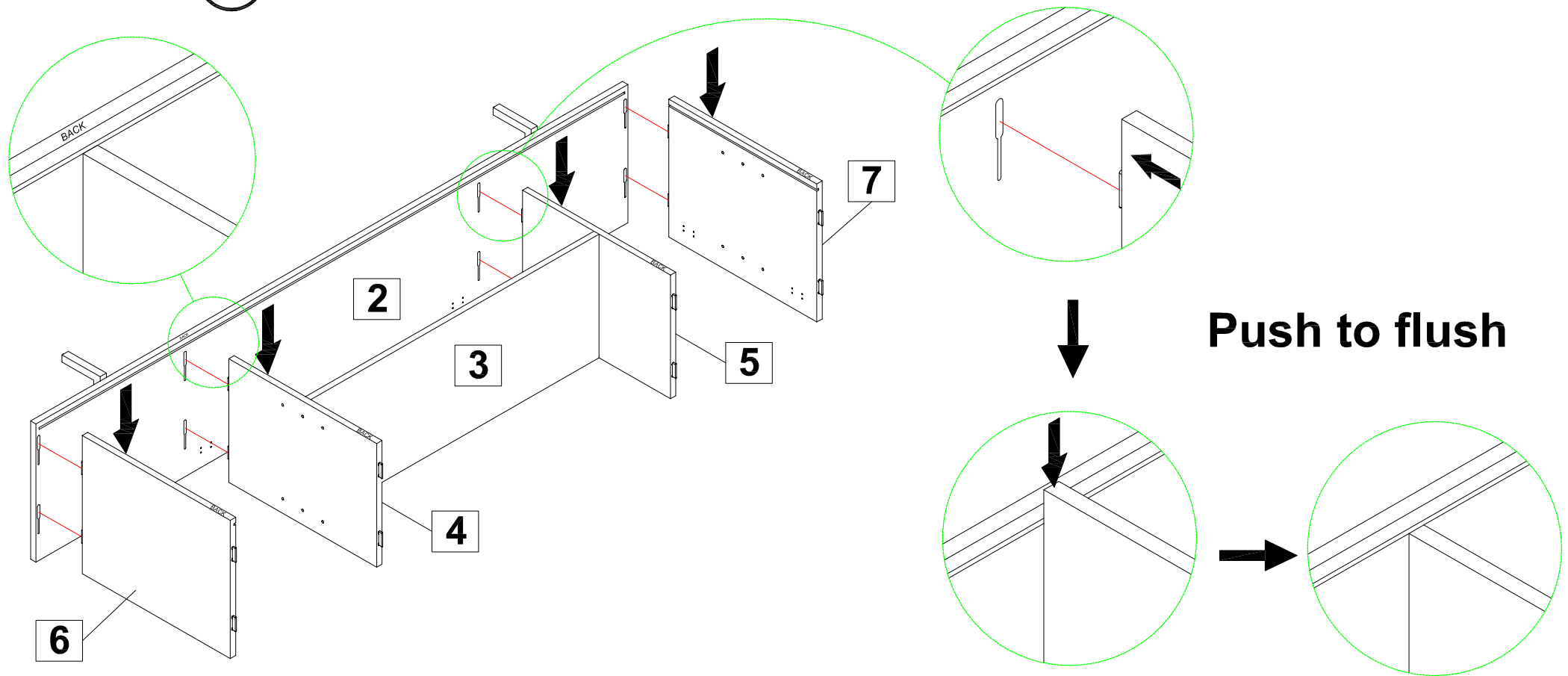
# TV CONSOLE

4



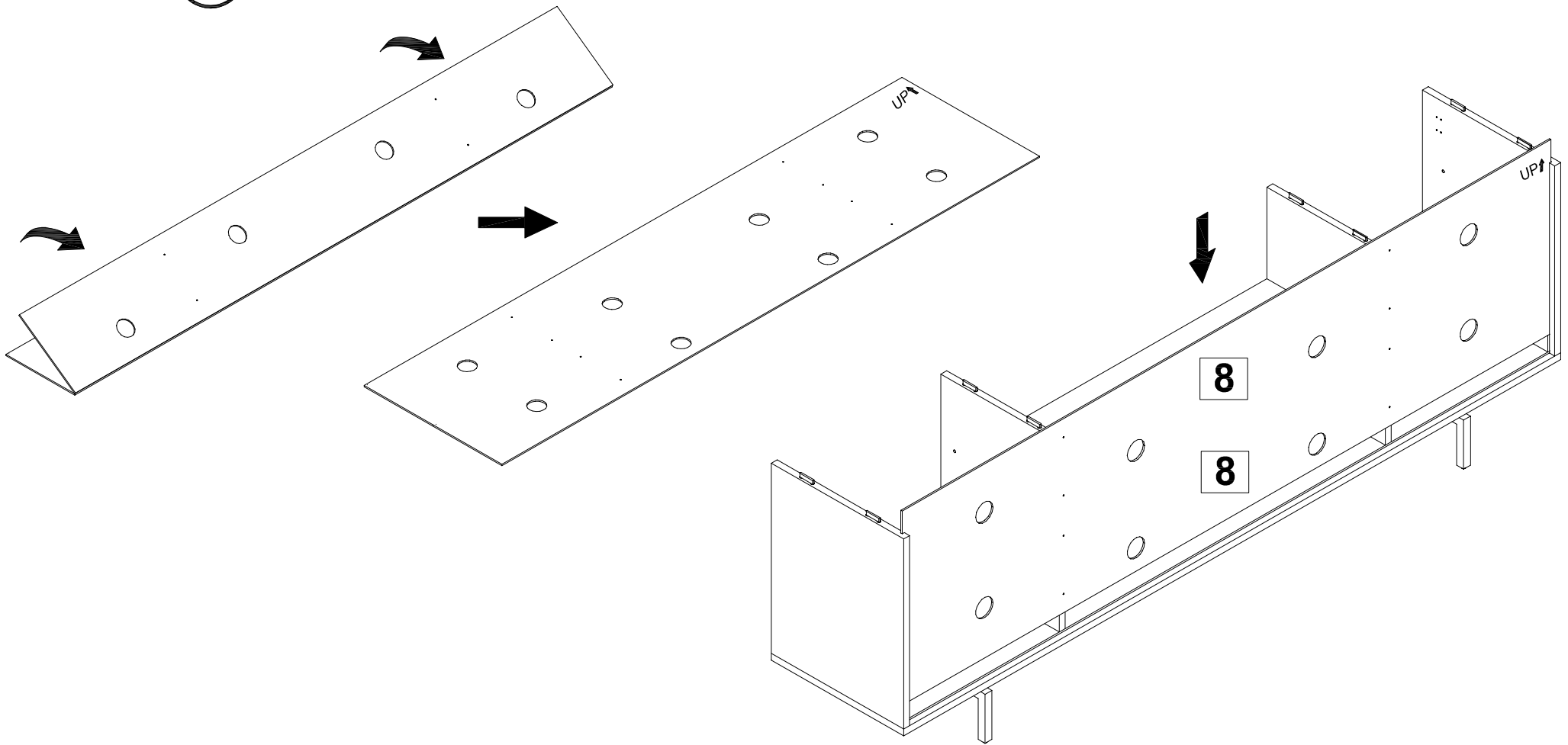
# TV CONSOLE

5



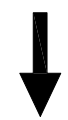
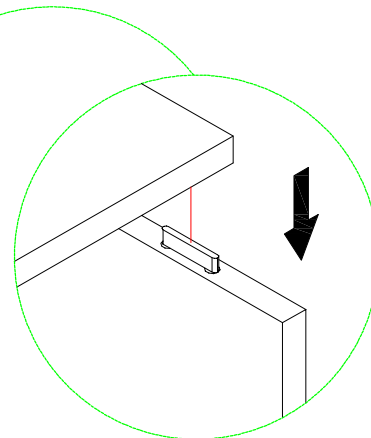
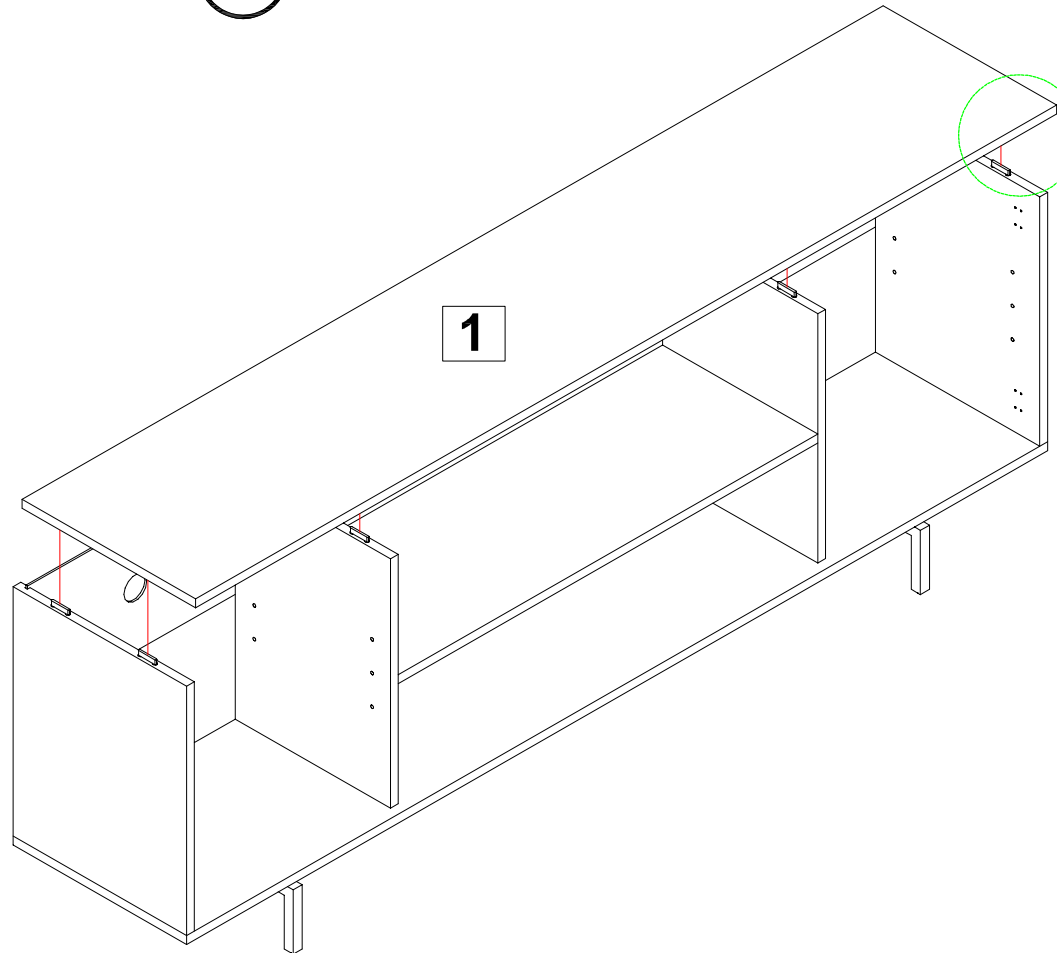
# TV CONSOLE

6

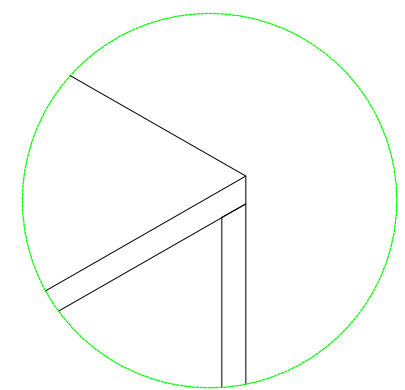
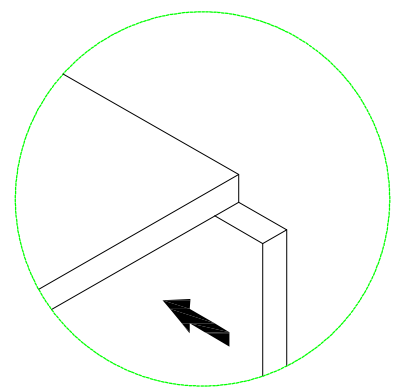


# TV CONSOLE

7

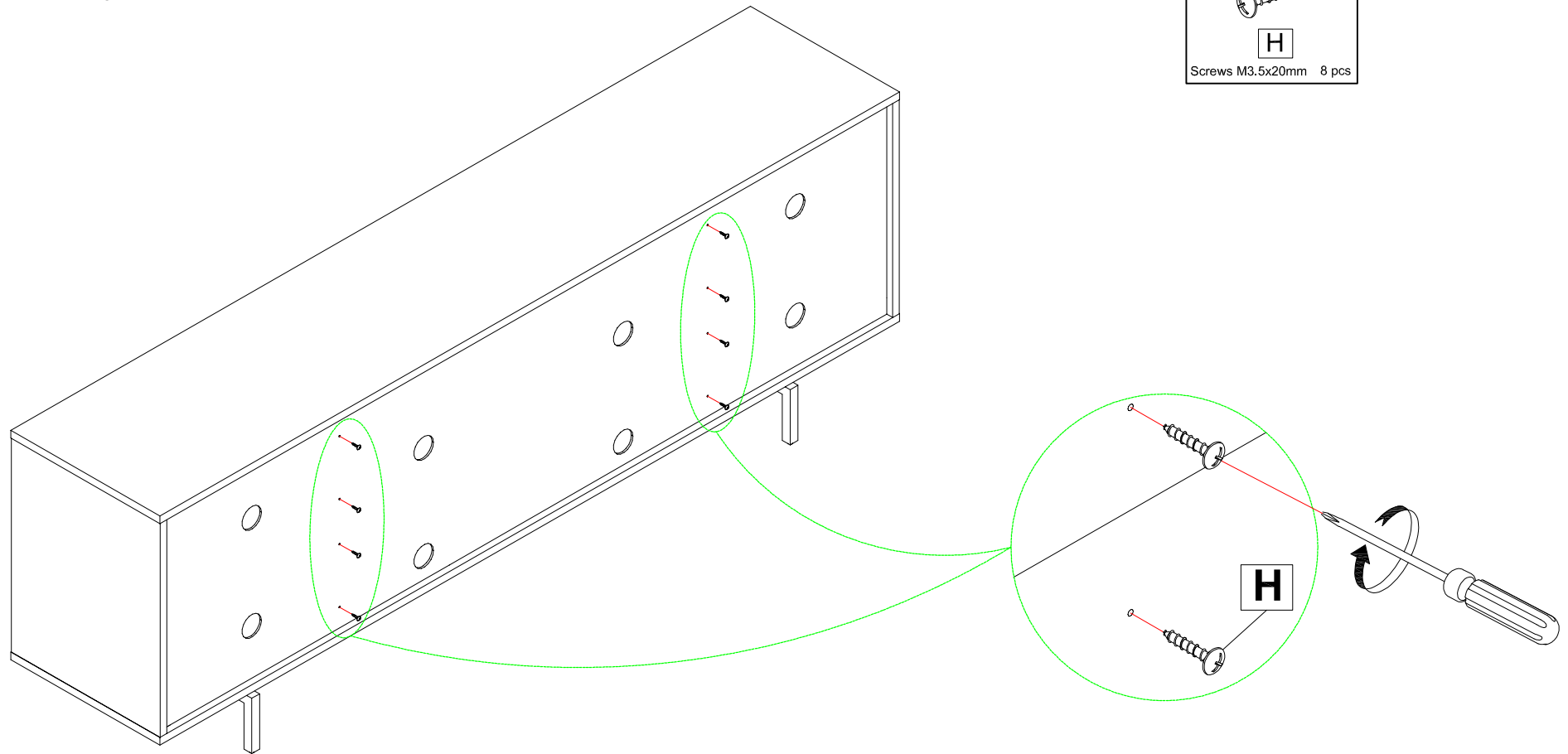
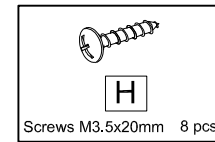


**Push to flush**



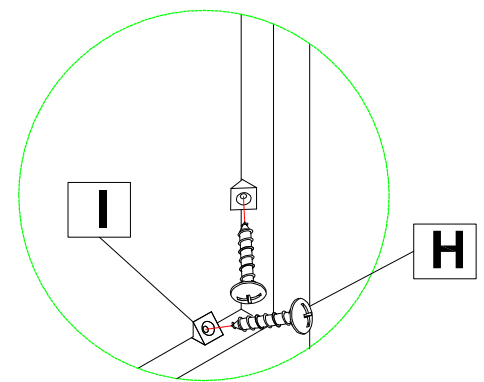
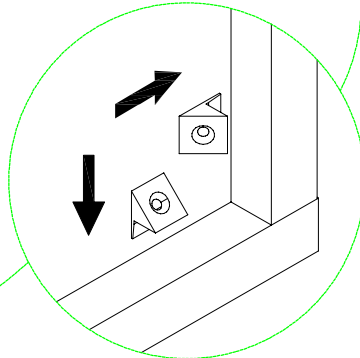
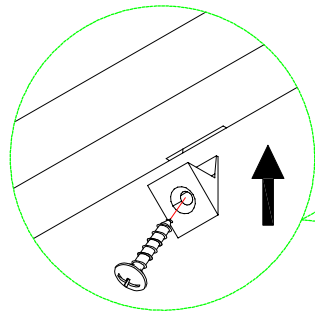
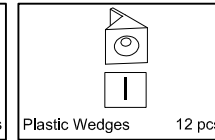
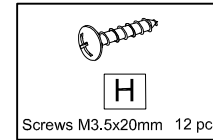
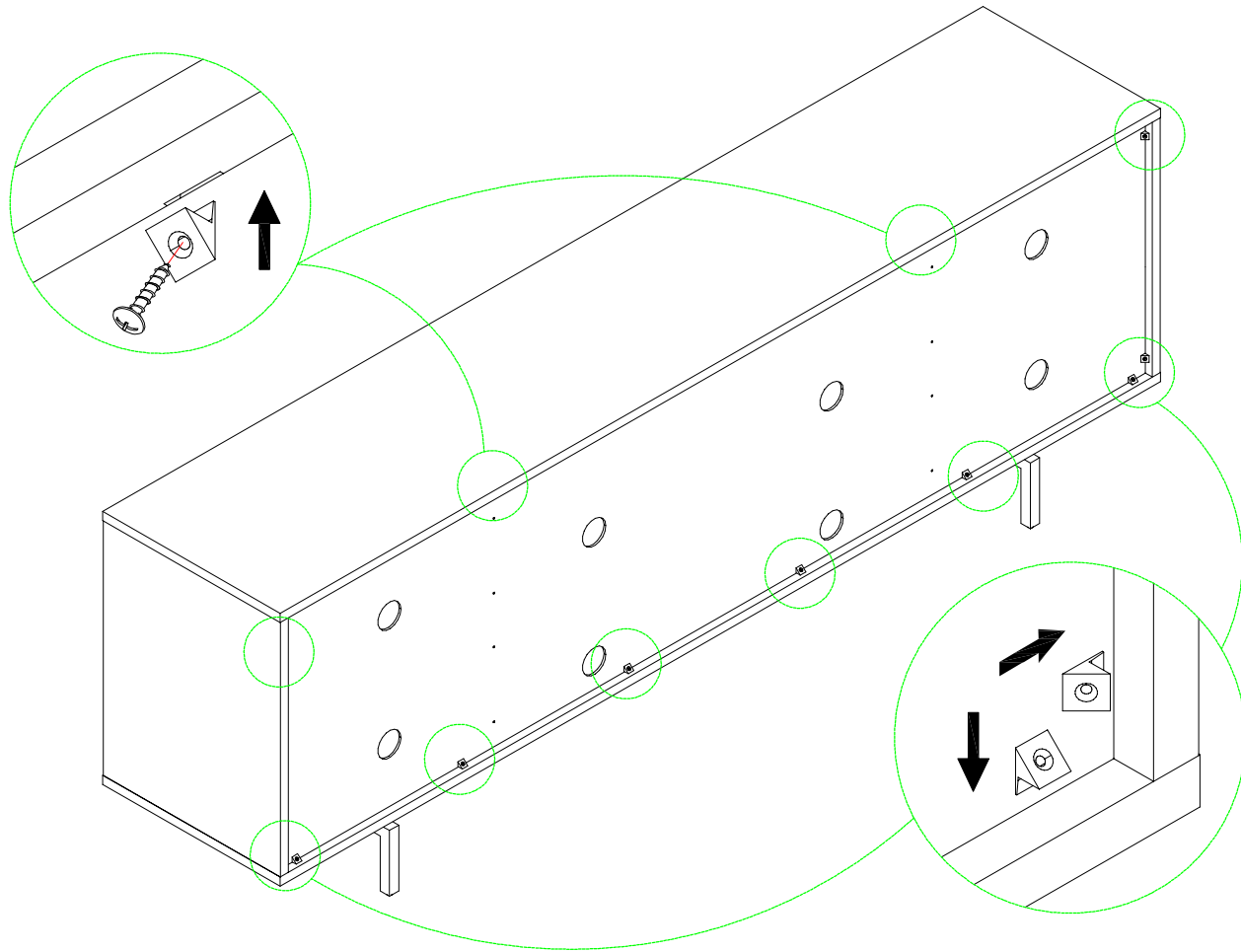
# TV CONSOLE

8



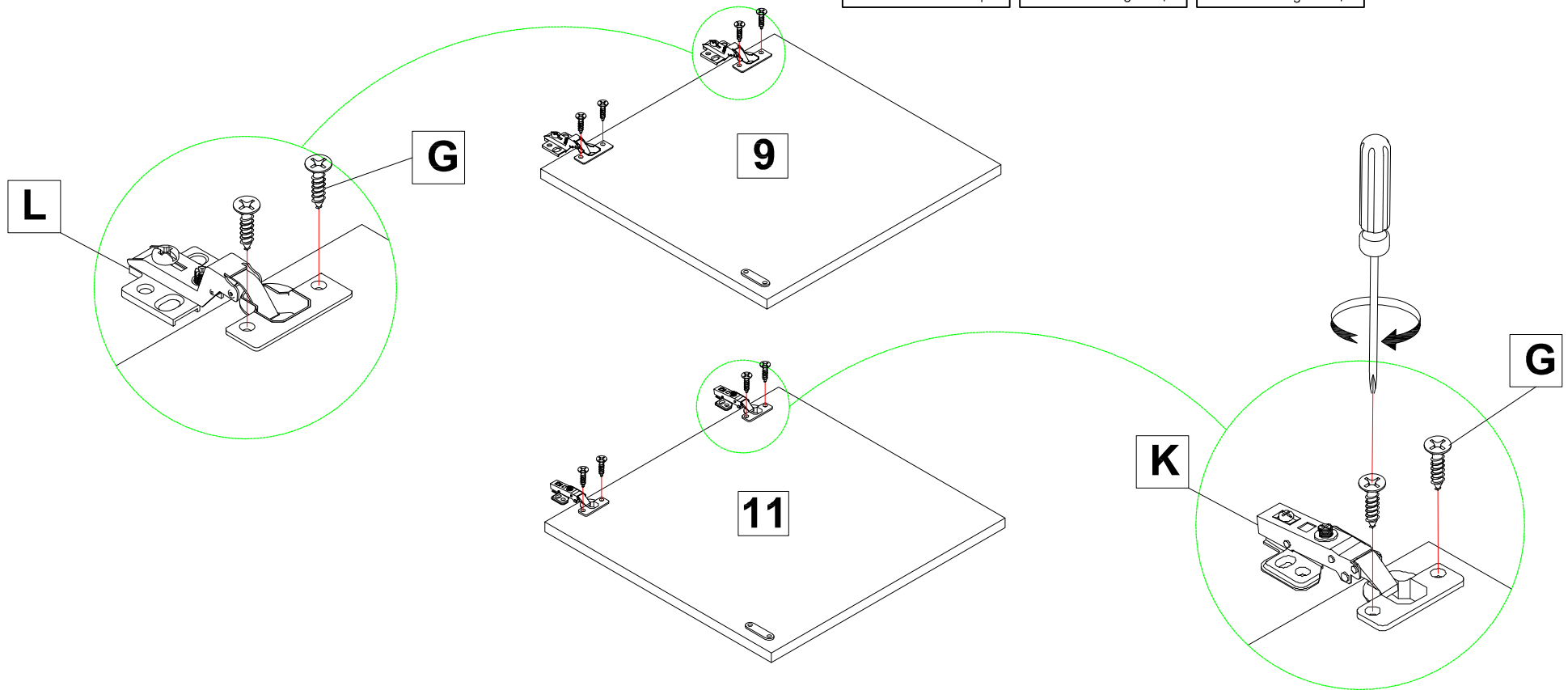
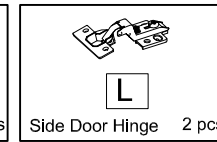
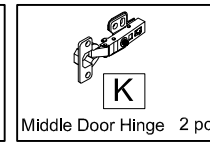
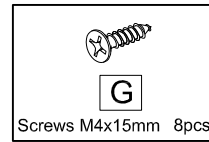
# TV CONSOLE

9



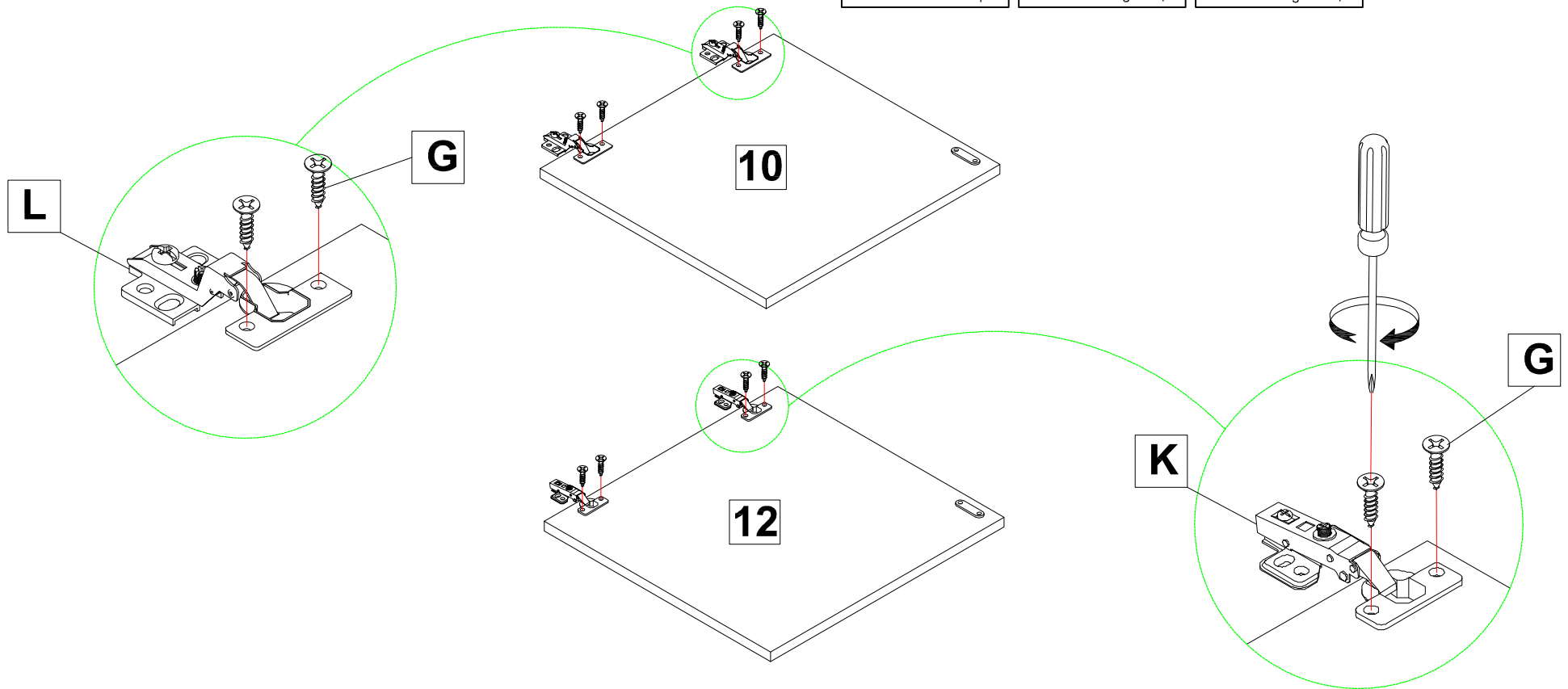
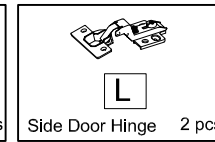
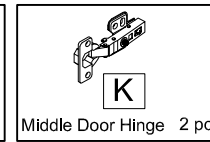
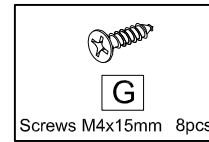
# TV CONSOLE

10



# TV CONSOLE

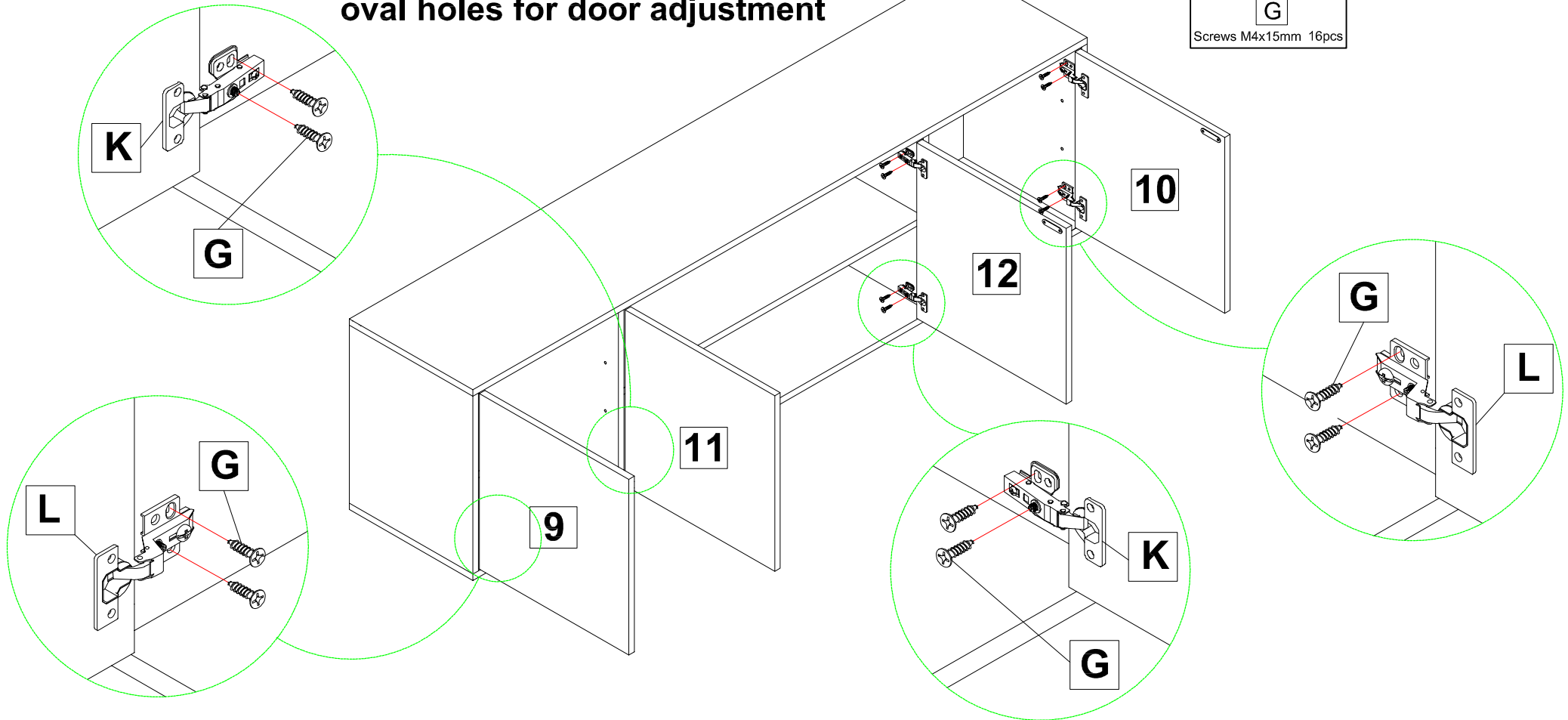
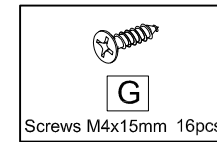
11



# TV CONSOLE

12

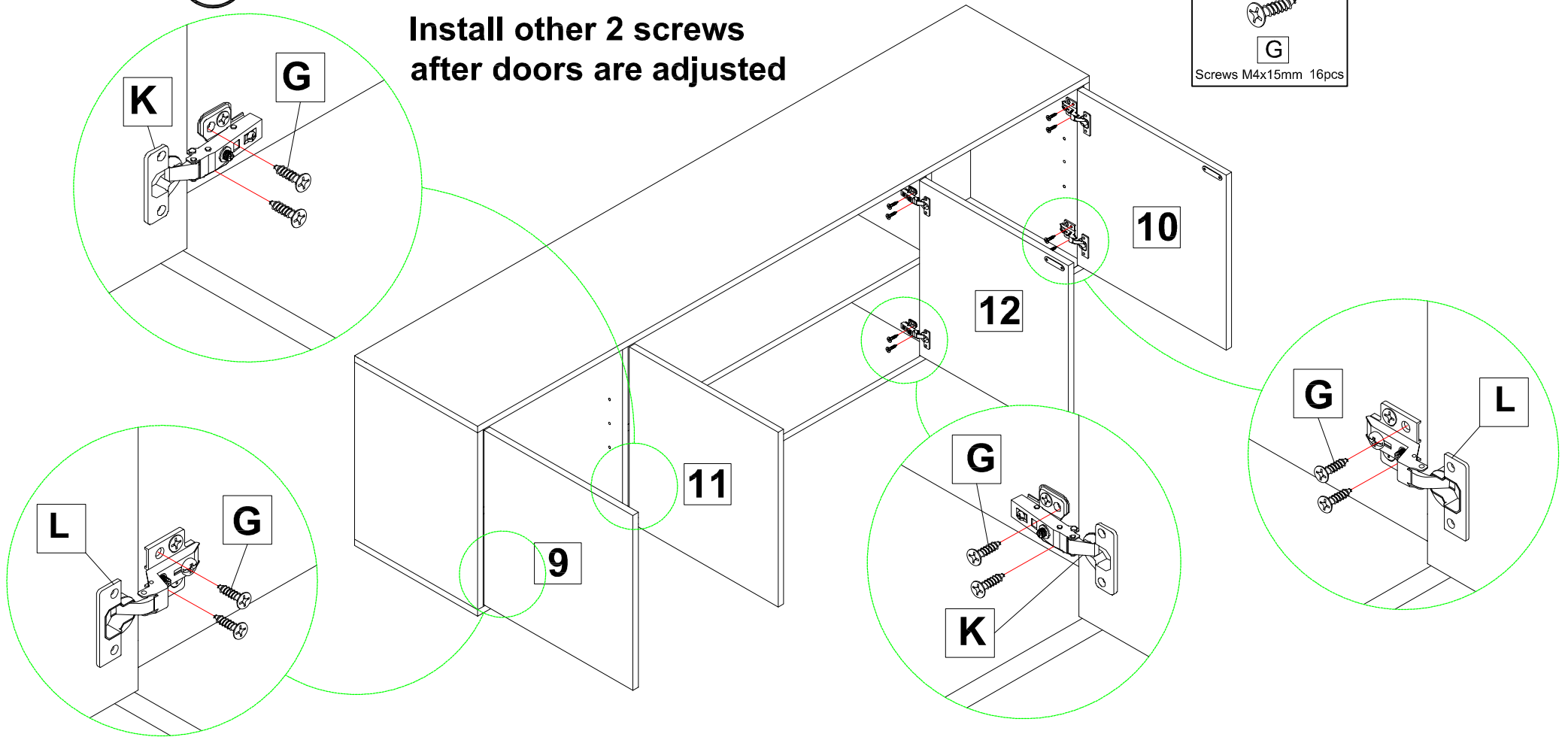
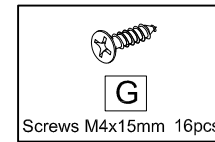
First install hinges with 2 screws in oval holes for door adjustment



# TV CONSOLE

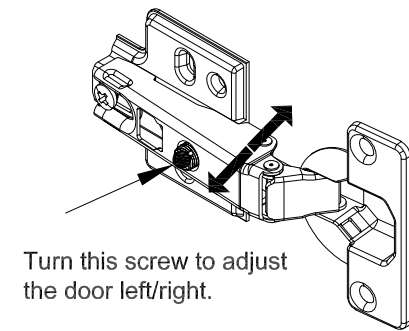
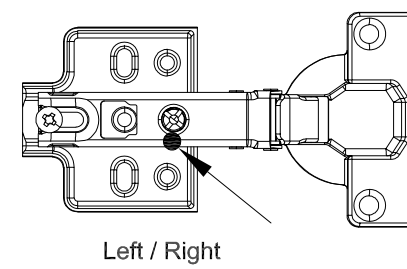
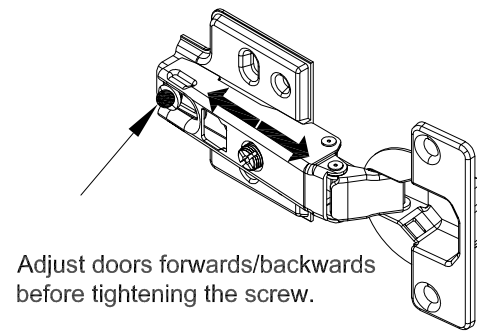
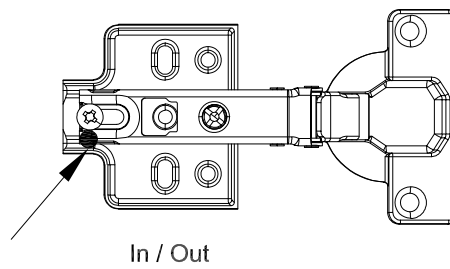
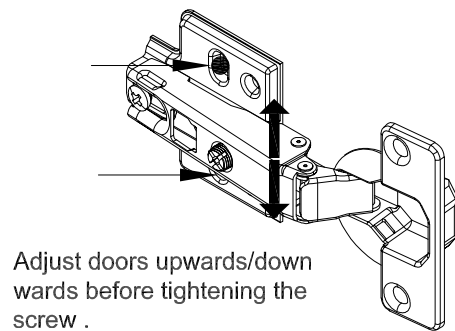
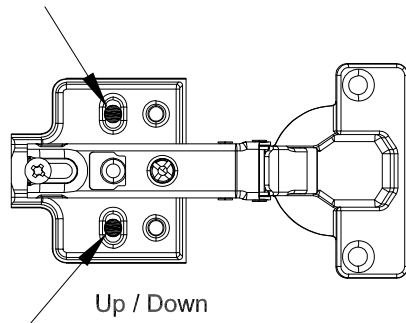
**13**

**Install other 2 screws  
after doors are adjusted**



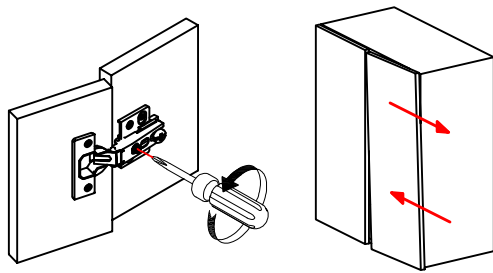
14

Our high Quality Euro hinges are 3-way adjustable:

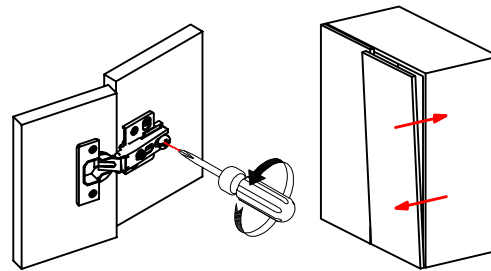


15

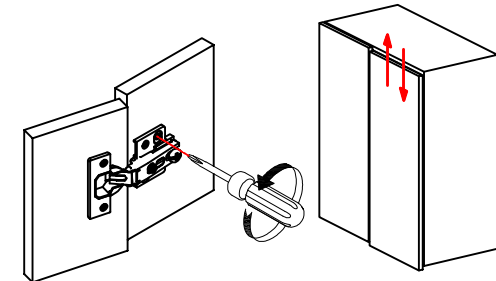
Our high Quality Euro hinges are 3-way adjustable:



Lateral Adjustment



Horizontal Adjustment

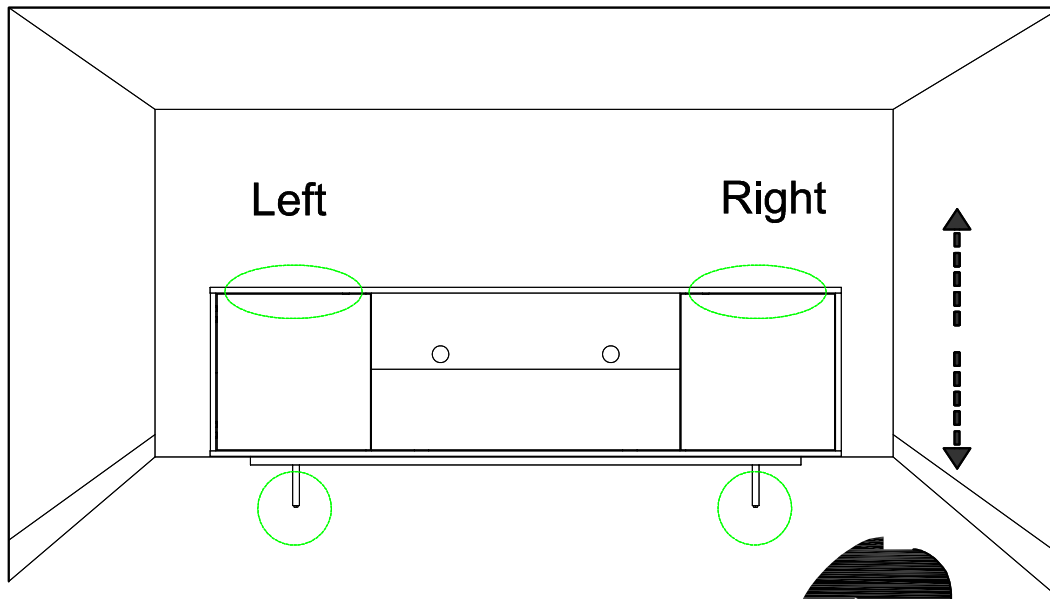


Vertical Adjustment



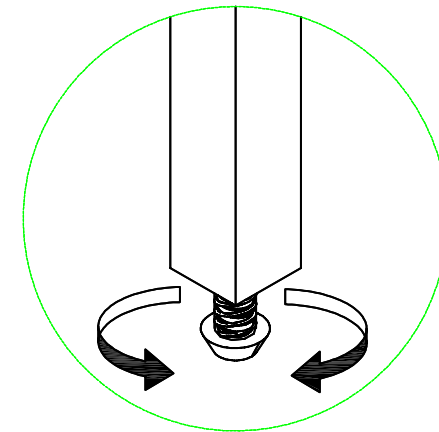
# TV CONSOLE

17



## Adjustable Floor Leveler

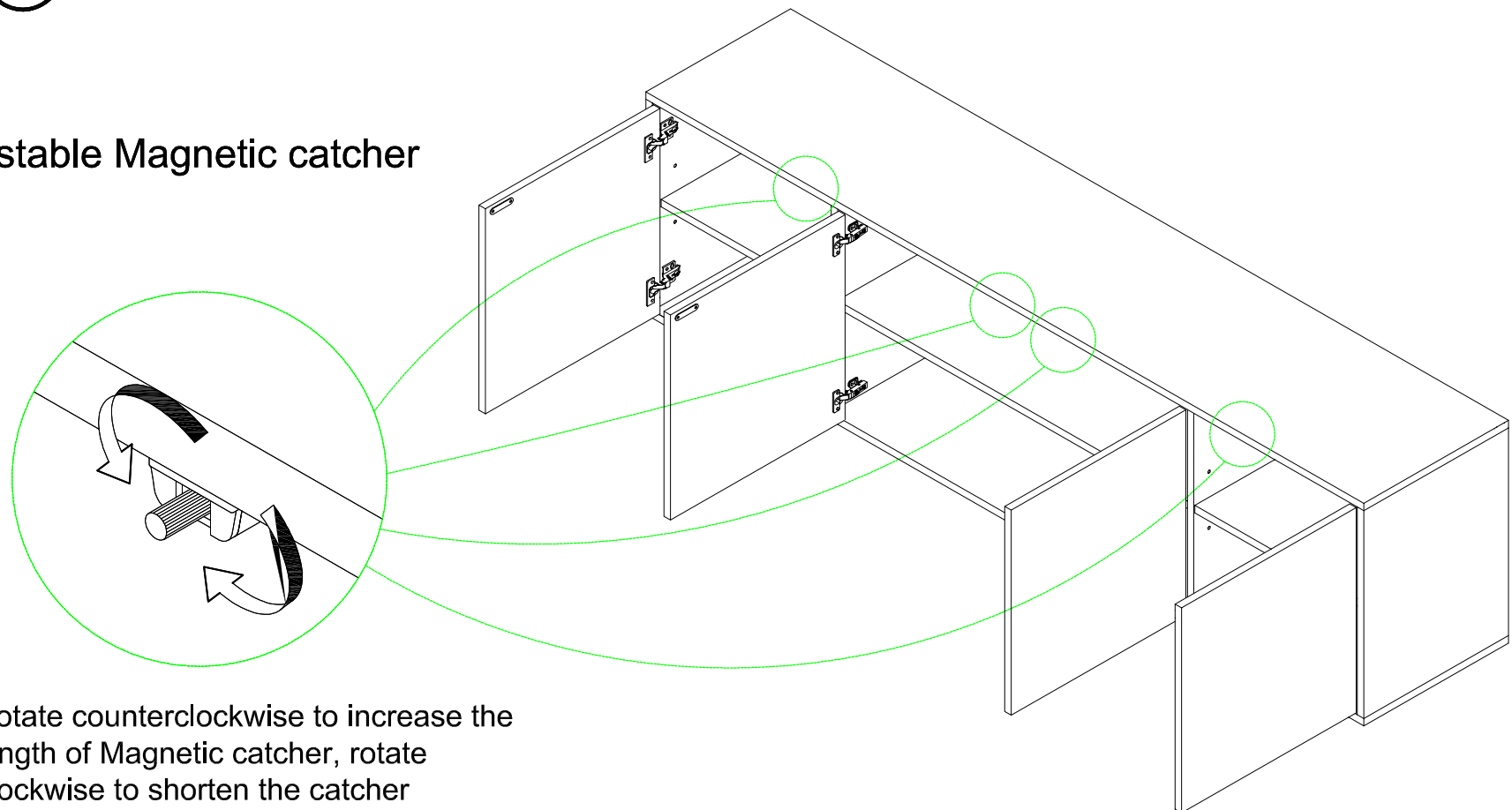
Compare the gap between the Side Door and the Top Panel , if the gap on one side is larger, it means that side is lower than the other side



Rotate counterclockwise to increase the length of Floor Leveler, and raise that corner. Rotate clockwise to lower that corner

18

## Adjustable Magnetic catcher

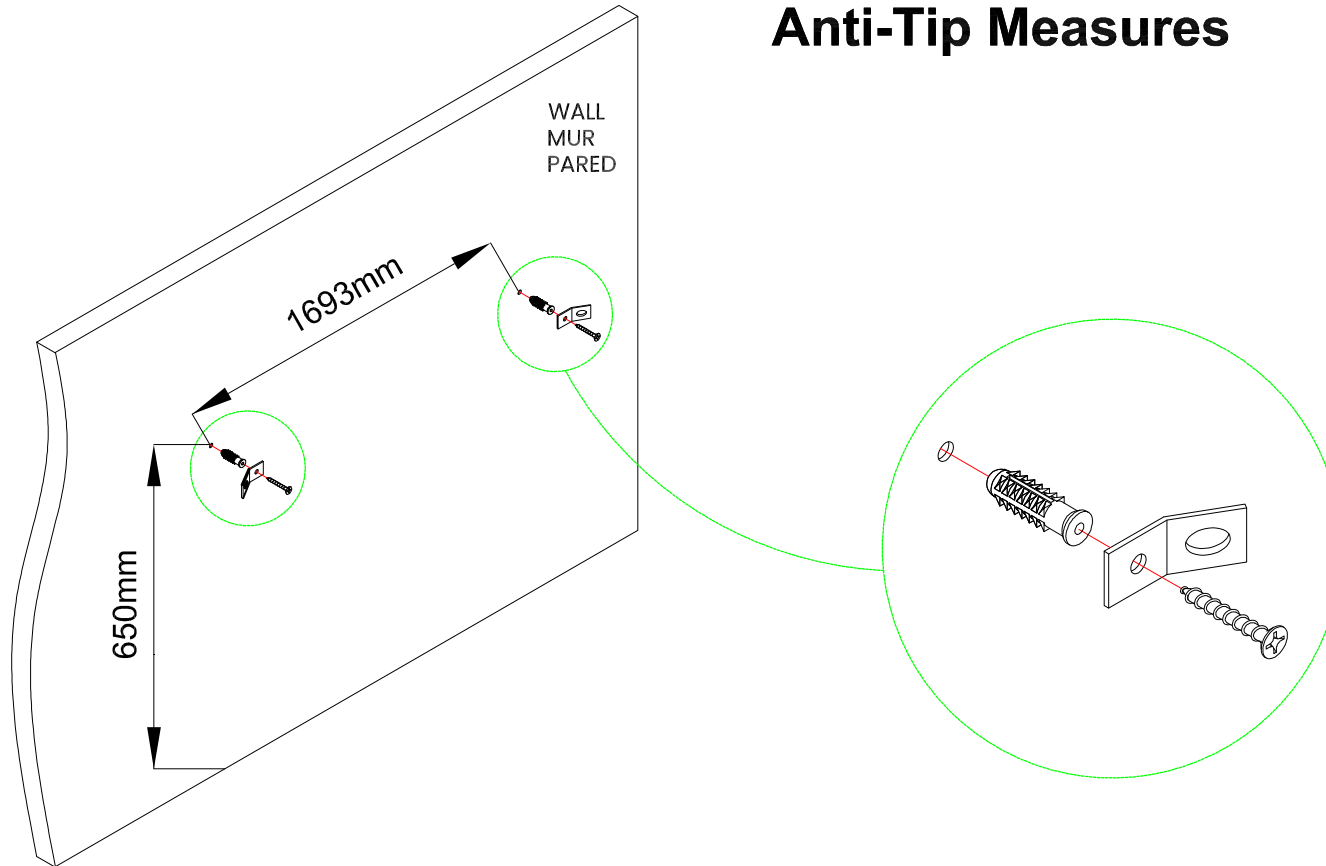
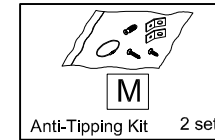


Rotate counterclockwise to increase the length of Magnetic catcher, rotate clockwise to shorten the catcher

# TV CONSOLE

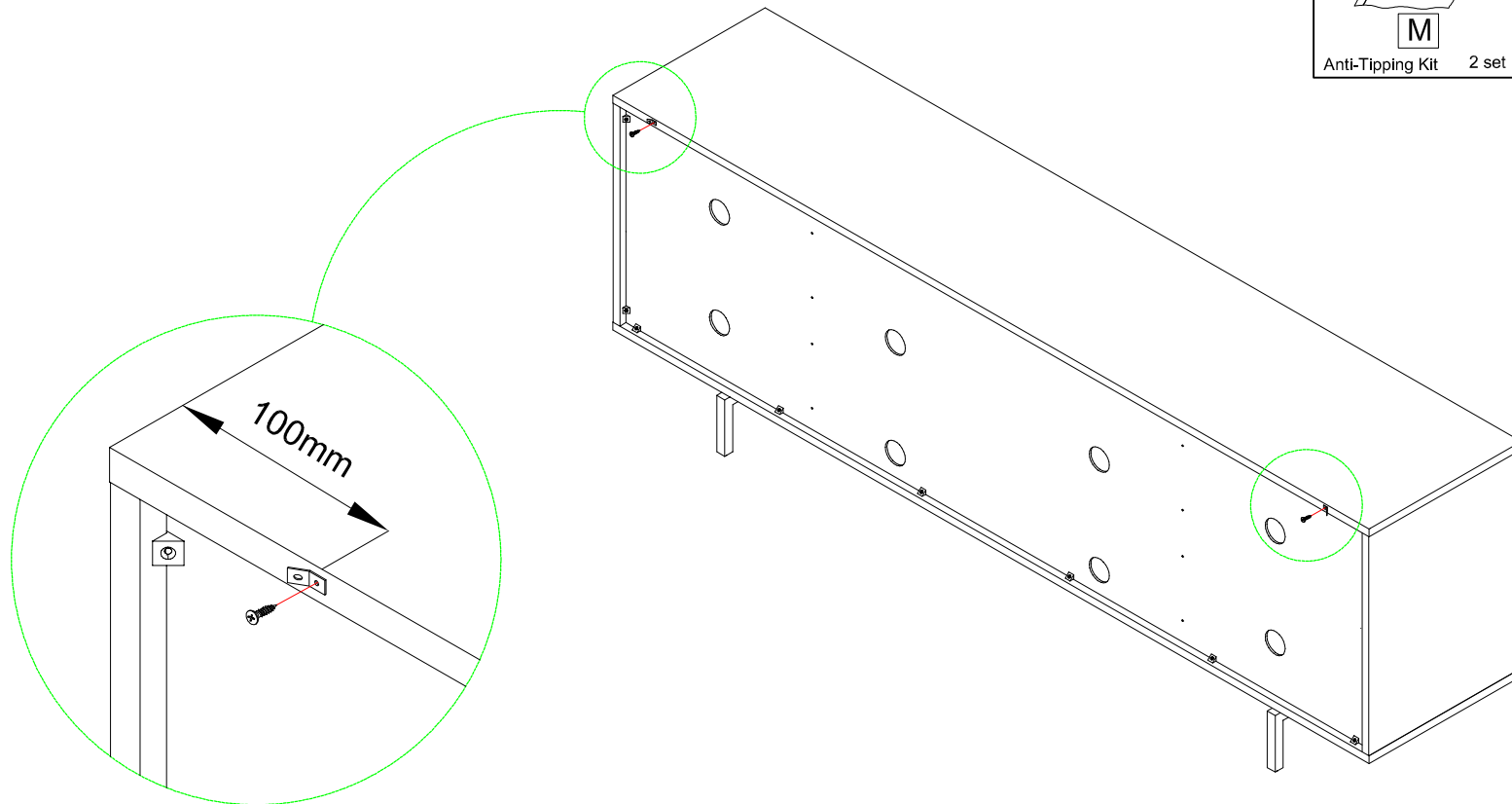
19

## Anti-Tip Measures



# TV CONSOLE

20



# TV CONSOLE

21

