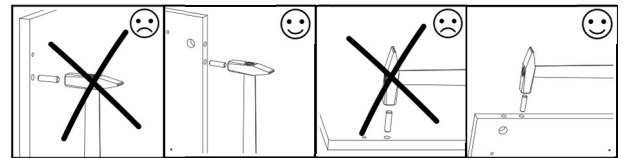
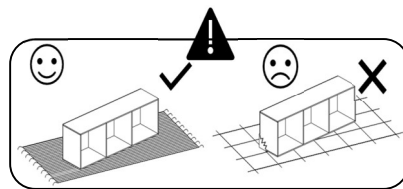
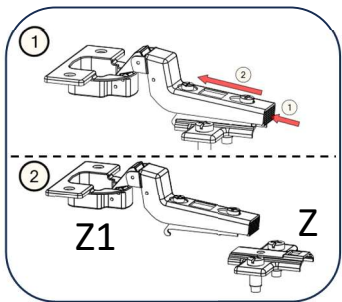
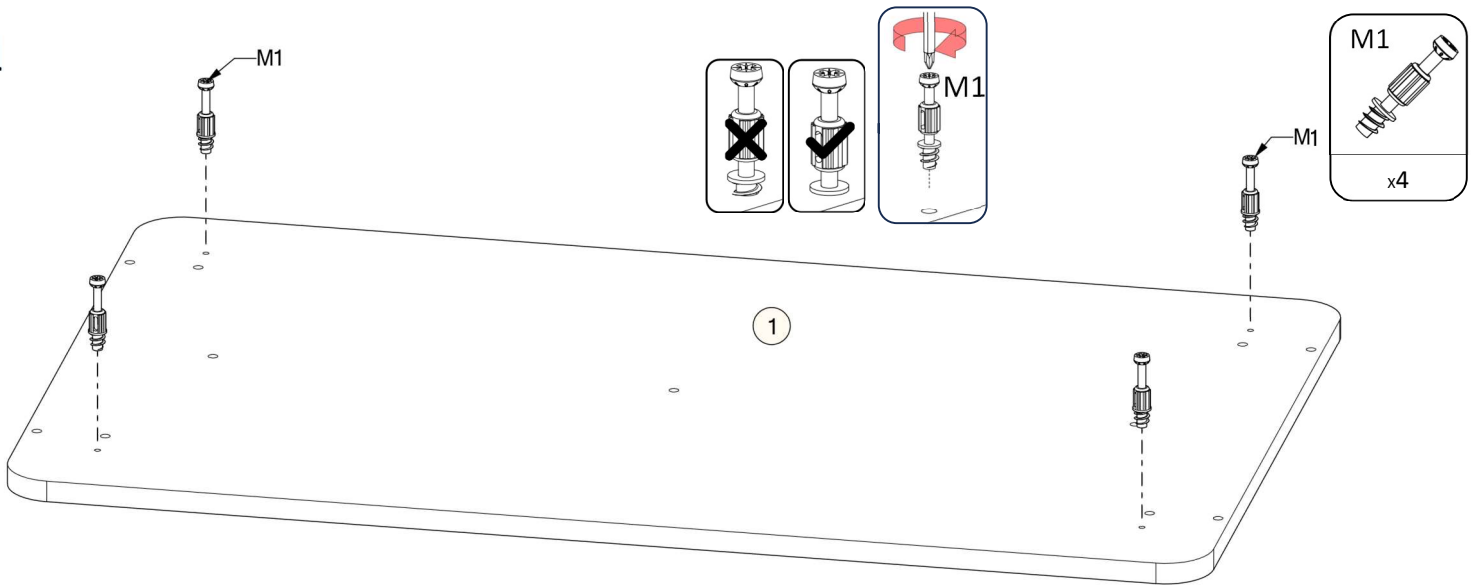


No	T(mm)	L(mm)	W(mm)	pcs.
1	18	1004	600	1
2	18	1004	600	1
3	16	466	202	2
4	66	202	66	4
5	16	554	202	2
6	18	864	194	2
7	16	854	202	1

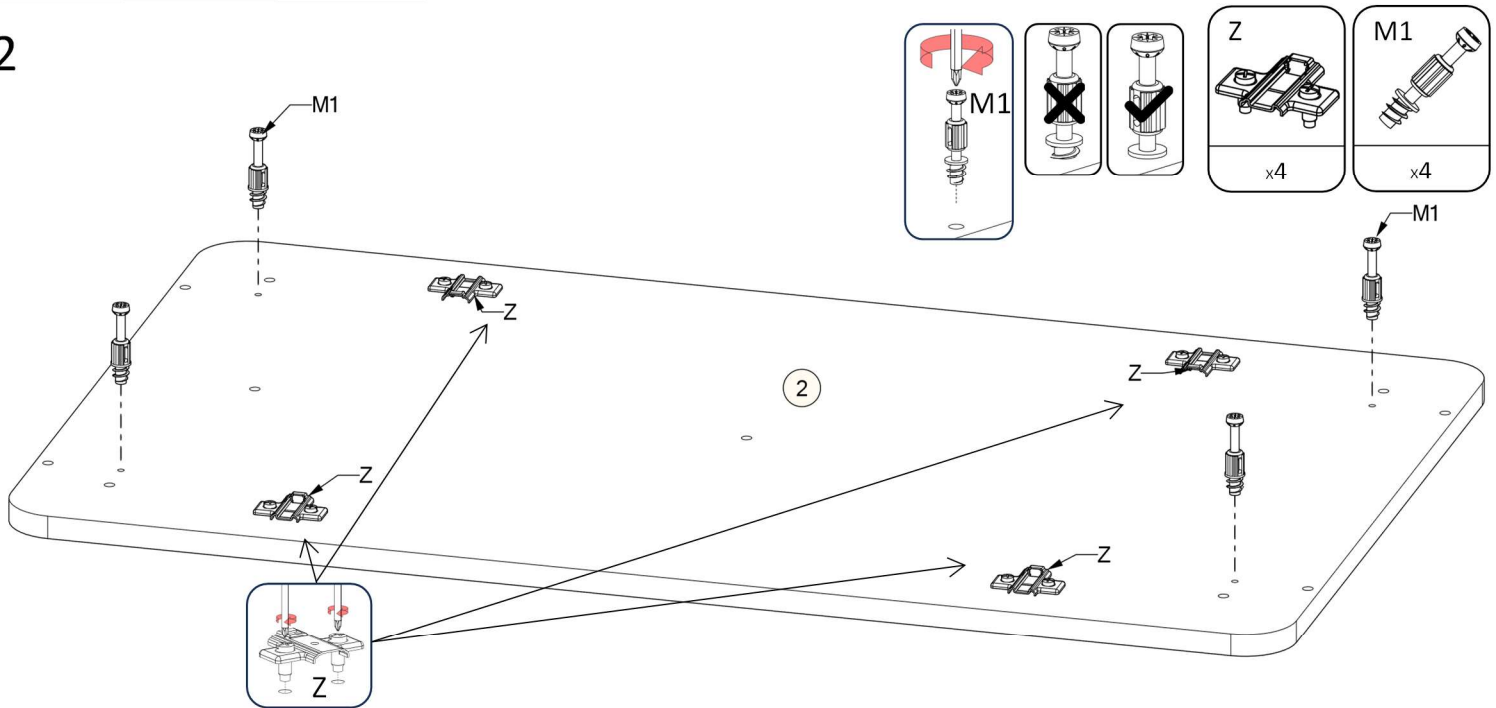


<b>K</b>  8x30 x30	<b>M1</b>  x12	<b>ZM</b>  x12	<b>E2</b>  6,3x13 x16	<b>R</b>  x2	<b>N</b>  x4	<b>Z1</b>  x4	<b>Z</b>  x4	<b>U</b>  x2	<b>D5</b>  3x13 x4
<b>M</b>  x12	<b>D4</b>  4x16 x8								

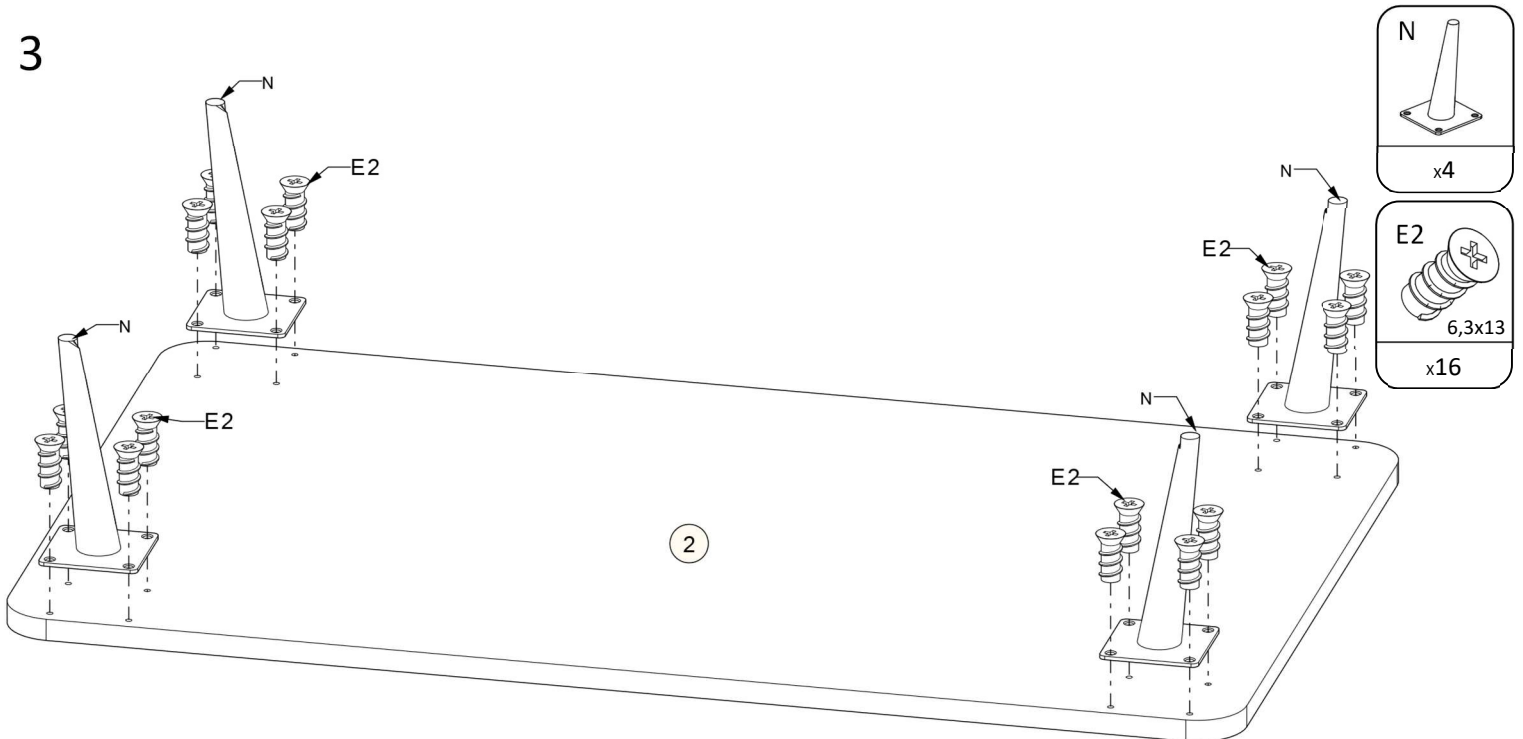
1



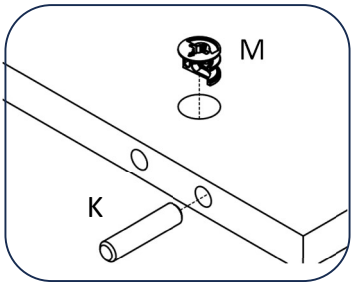
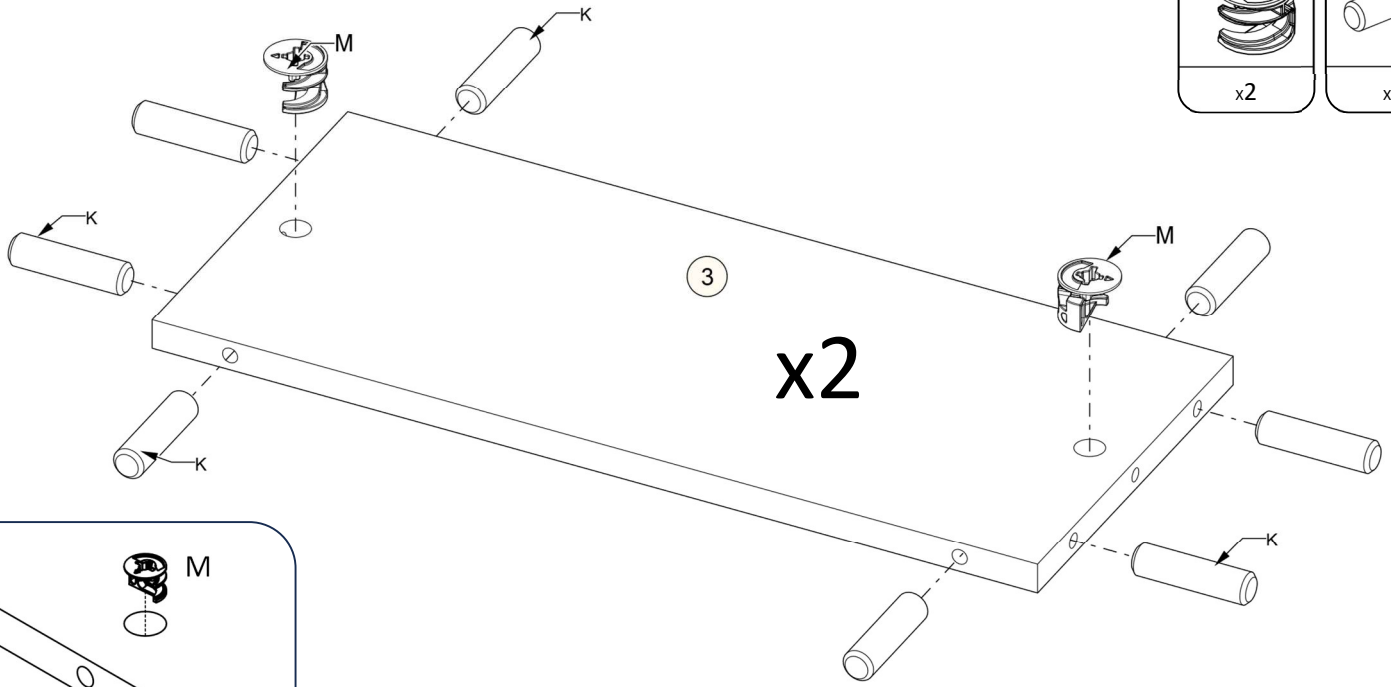
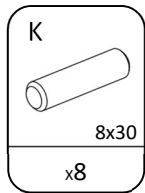
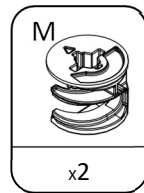
2



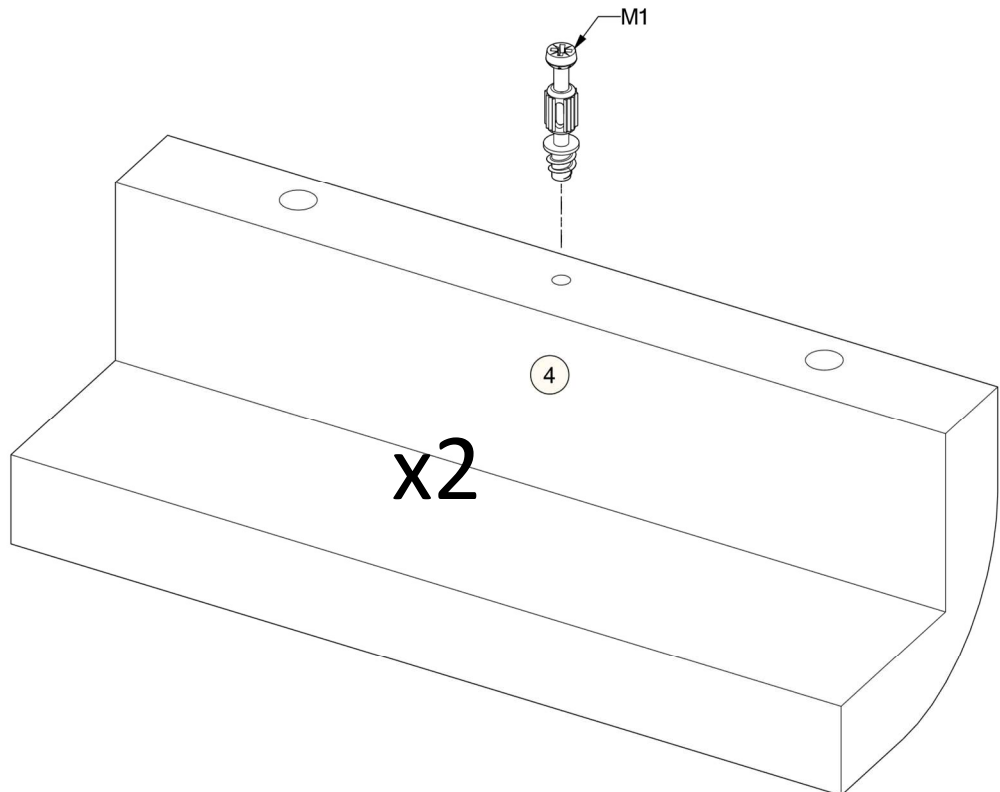
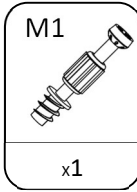
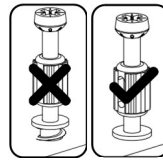
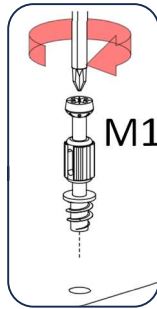
3



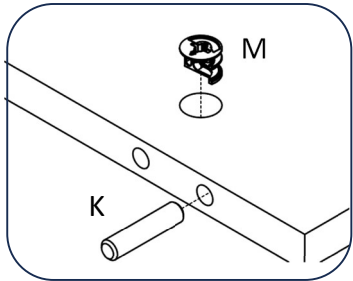
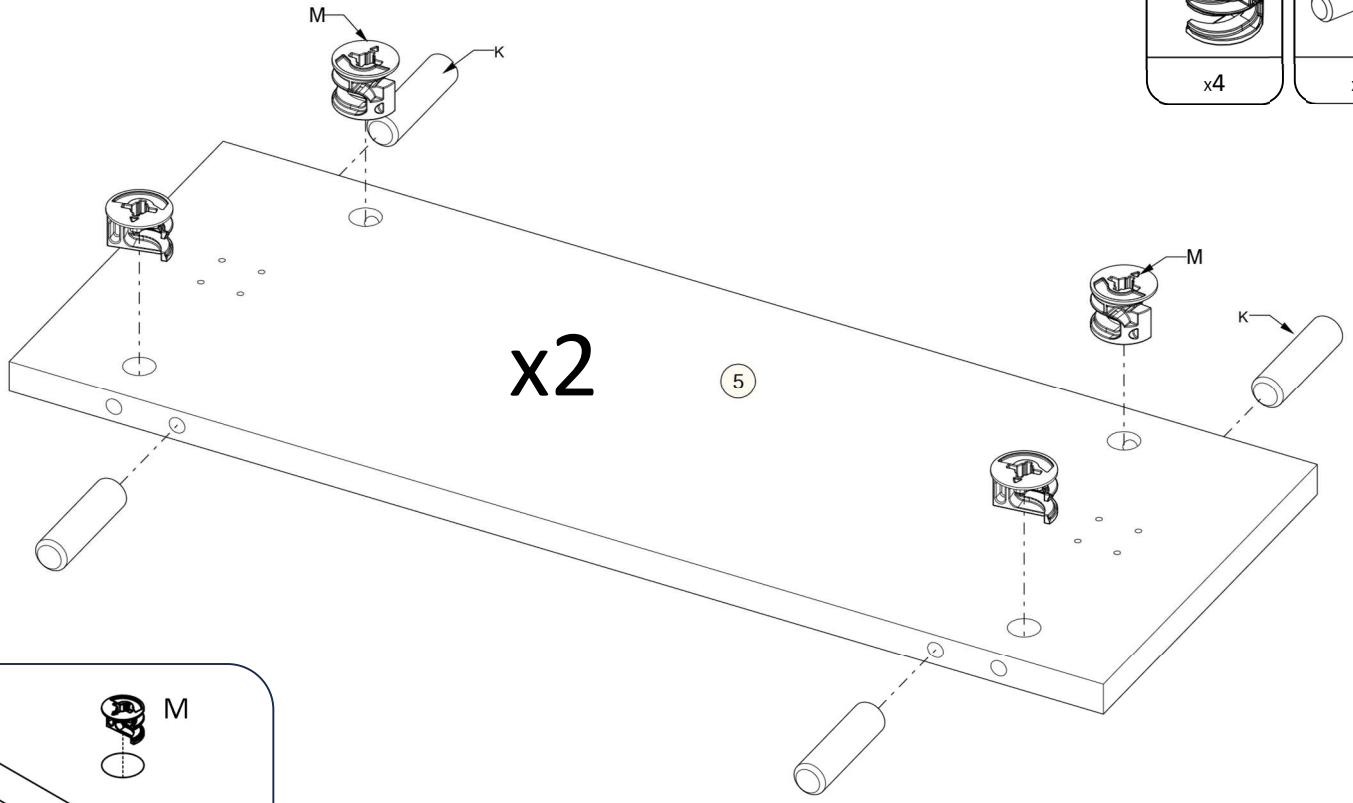
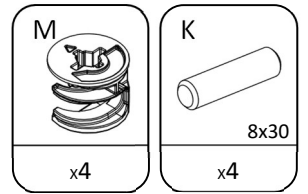
4



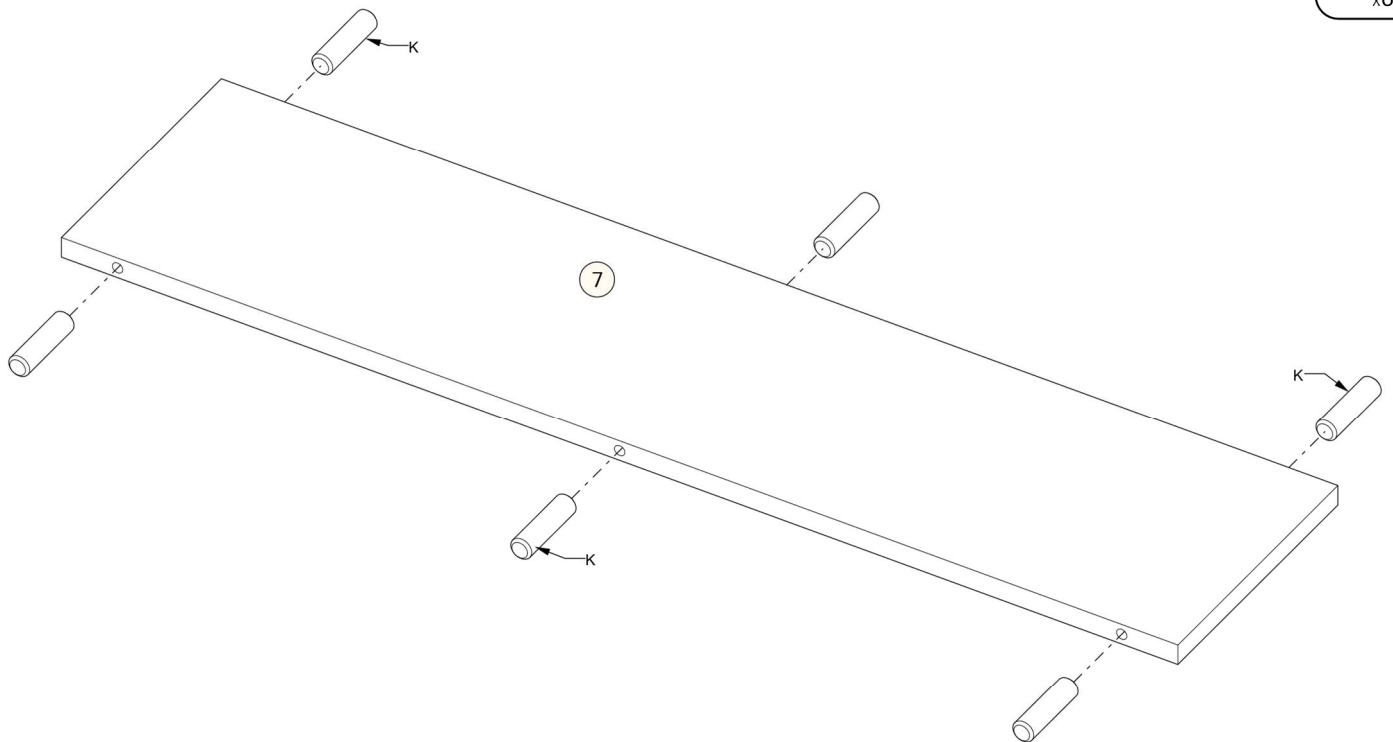
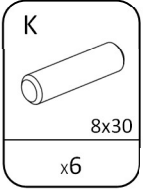
5



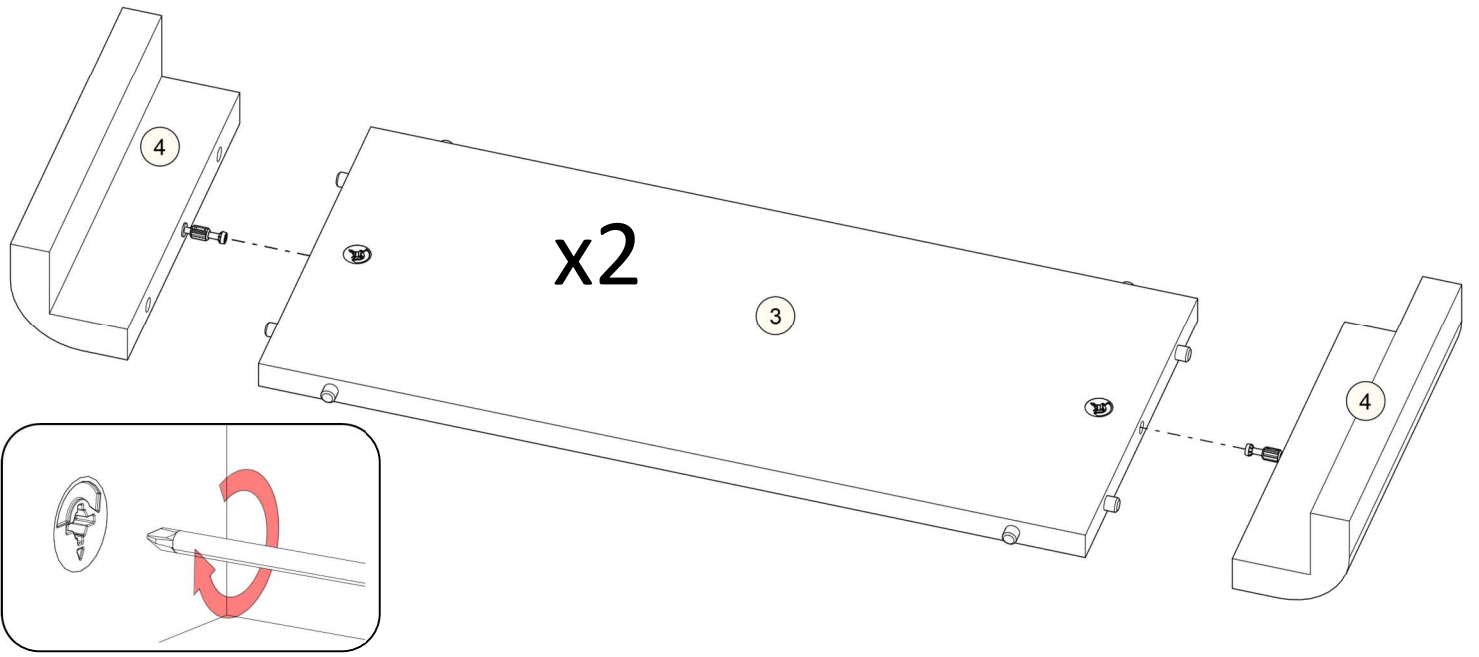
6



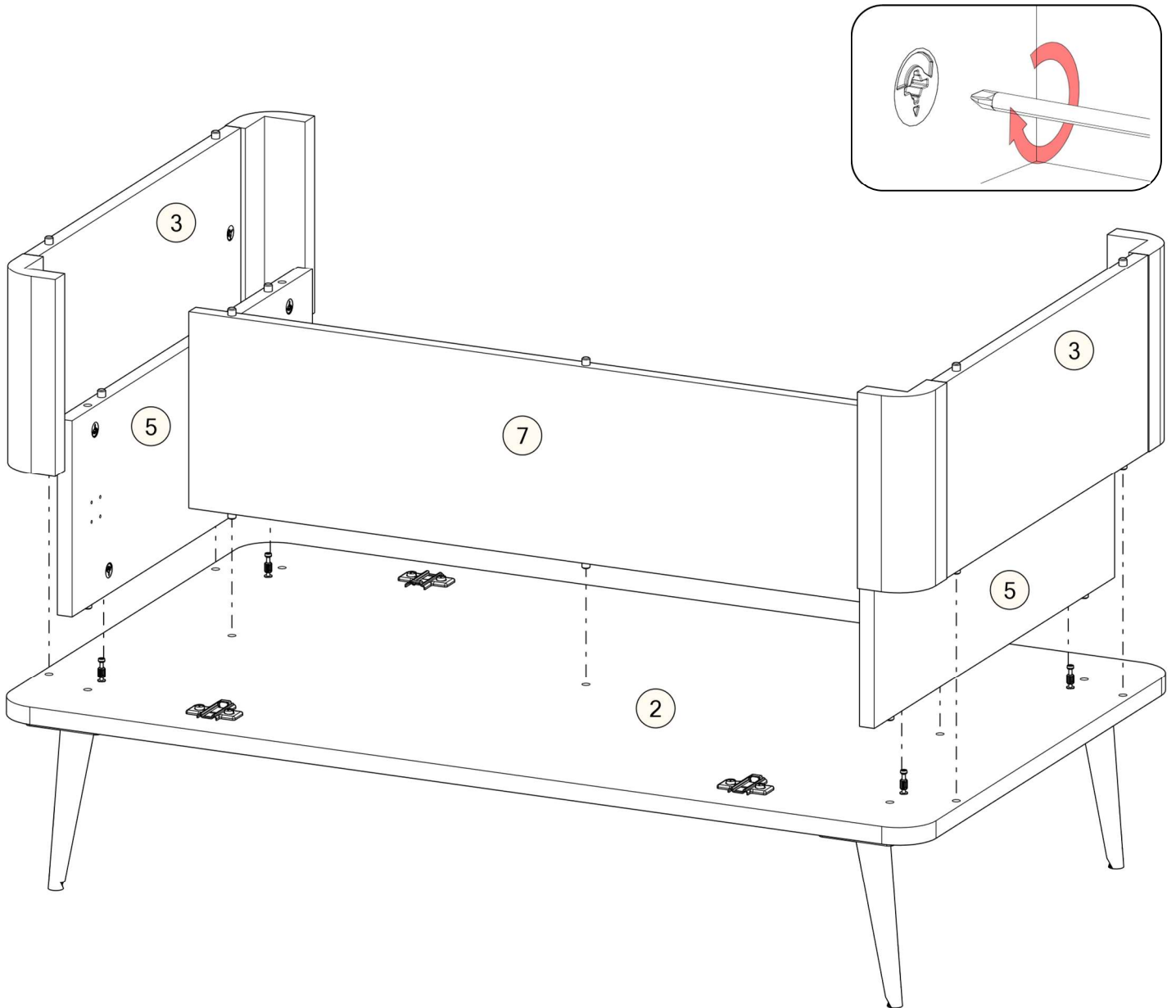
7



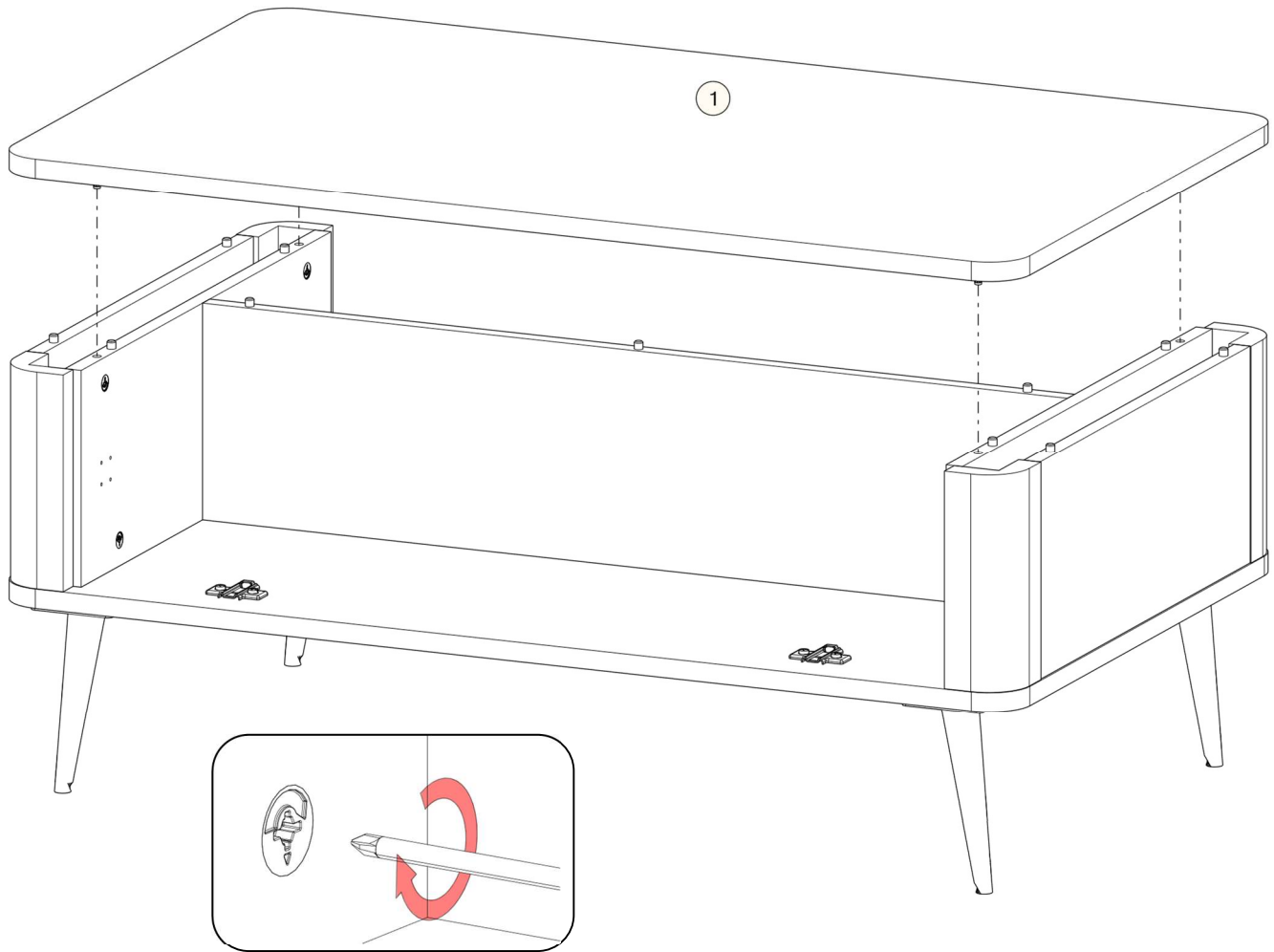
8



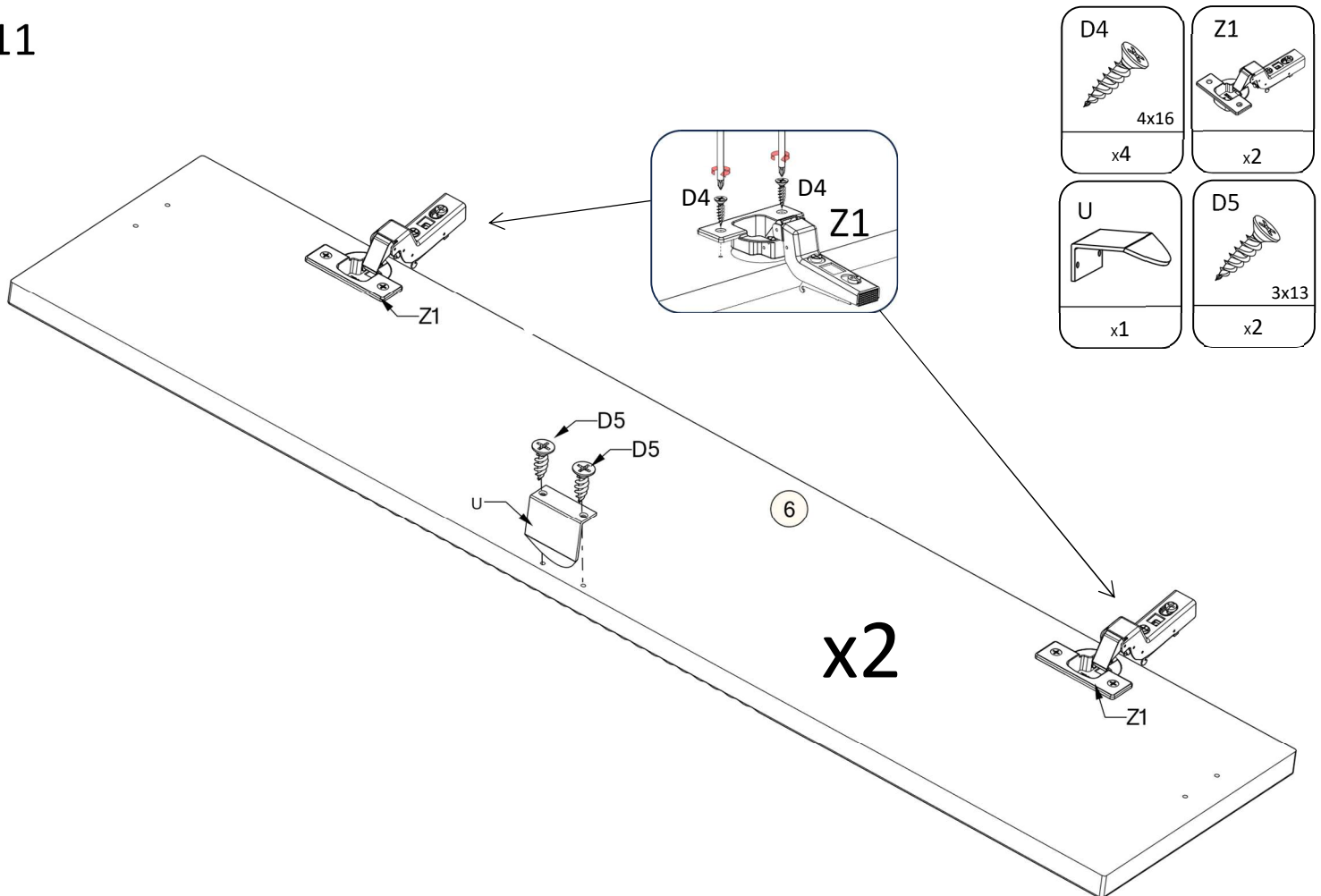
9



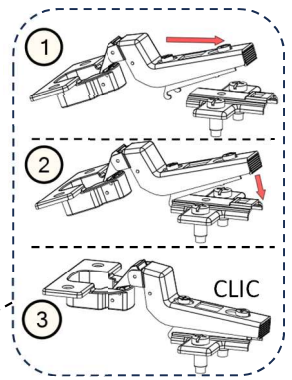
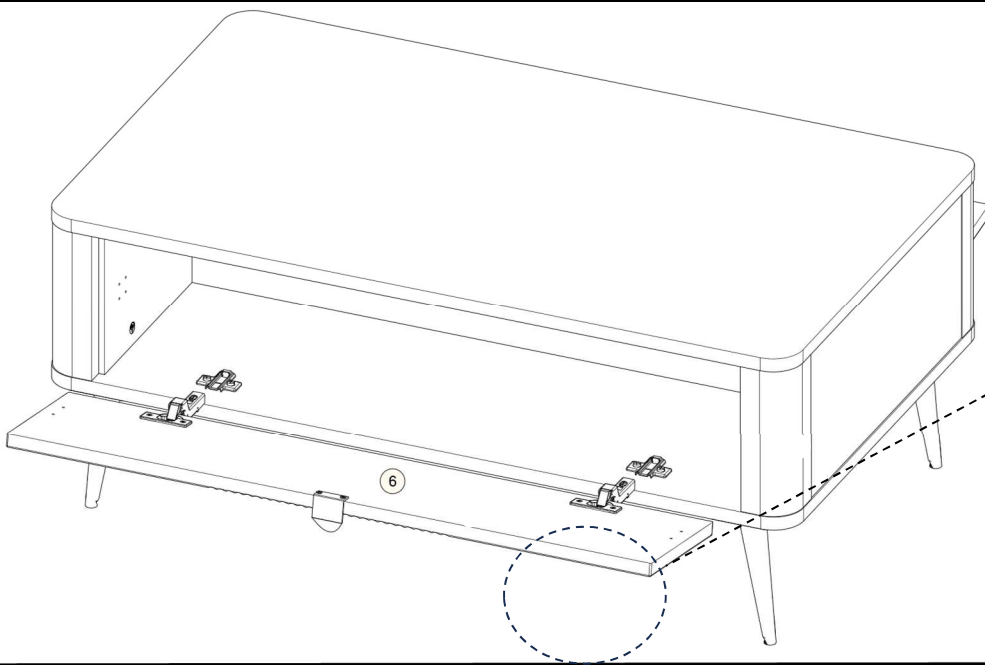
10



11



12



13

