



# Tabletop Grow Light Garden User Manual

Model: VIGPR-T1 and VIGPR-T2

Gardening Made Easier. Anytime, Anywhere.

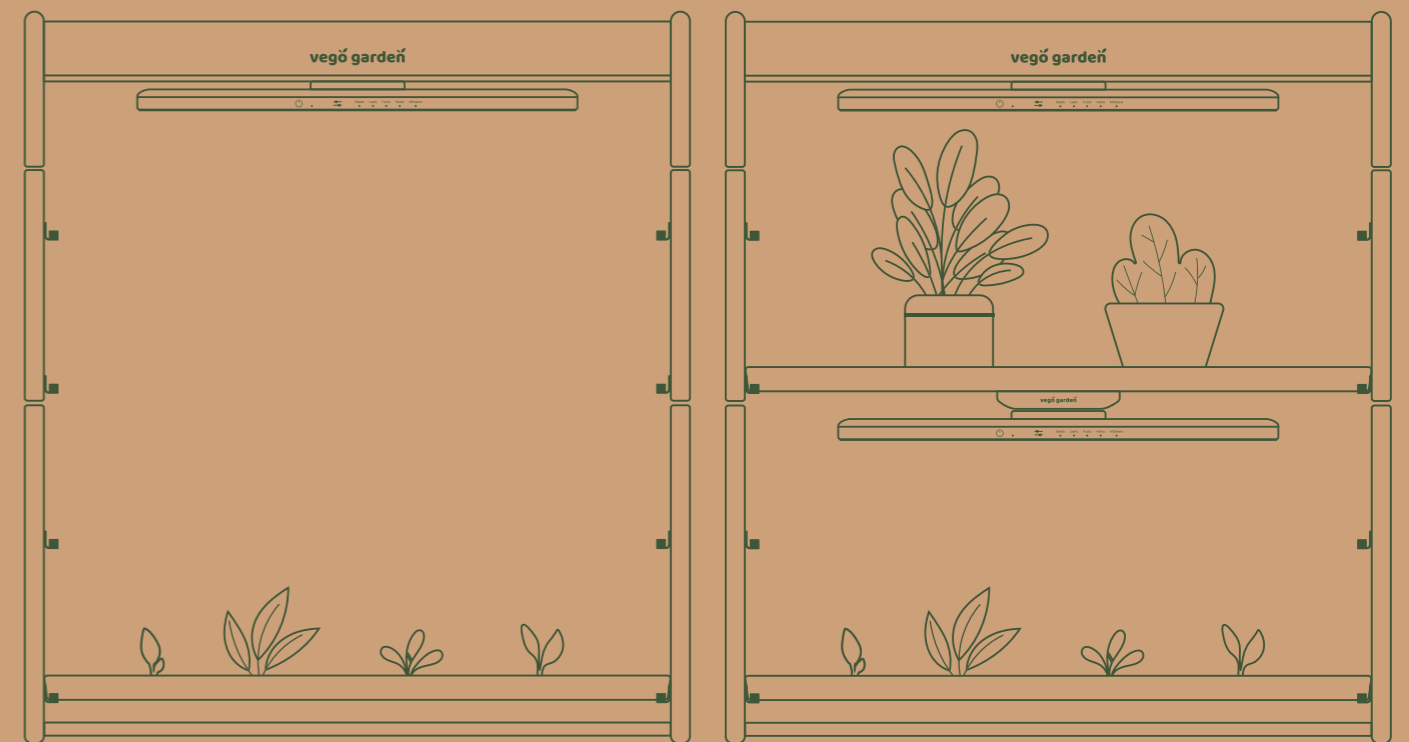
Copyright © 2025 Vego



**Gardening  
Made Easier.  
Anytime,  
Anywhere.**



Assembly Videos



## Contact Us

+1 (866) 597-1888

Vego Garden Academy

hello@vegogarden.com

vegogarden.com

vego\_garden

Houston, TX

# Contents

Tabletop Grow Light Garden Series

02

Getting Started

02

Usage Precautions

03

Parts List

04

Assembly  
Instructions

12

Cleaning and  
Maintenance

12

Safety Precautions

13

Q&A

14

Warranty and  
Support

## Getting Started

Thank you for choosing the **Tabletop Grow Light Garden**. Designed specifically for tabletop use, this compact system provides optimal lighting for plant growth in various indoor environments. It features an adjustable shelving unit paired with versatile magnetic grow lights, making it perfect for small spaces and home gardening.

**This manual applies to VIGPR-T1 and VIGPR-T2:**

- **VIGPR-T1:** One-tier unit with 1 grow light.
- **VIGPR-T2:** Two-tier unit with 2 grow lights.

### Key Features

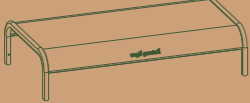
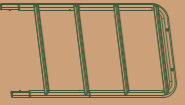





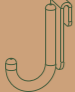

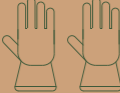

- **Adjustable Trays** - Change tray heights, or remove to fit large plants.
- **Magnetic Mount Grow Light** - Easy to install and adjust.
- **Easy Assembly** - Streamlined design makes set up a breeze.

Use this manual to assemble and install your model.

## Usage Precautions

- **Ensure the frame is stable before use.**
- **Regularly check the trays for water retention and clean as needed.**
- **When adjusting trays, ensure they are securely placed to avoid any accidents.**

# Parts List

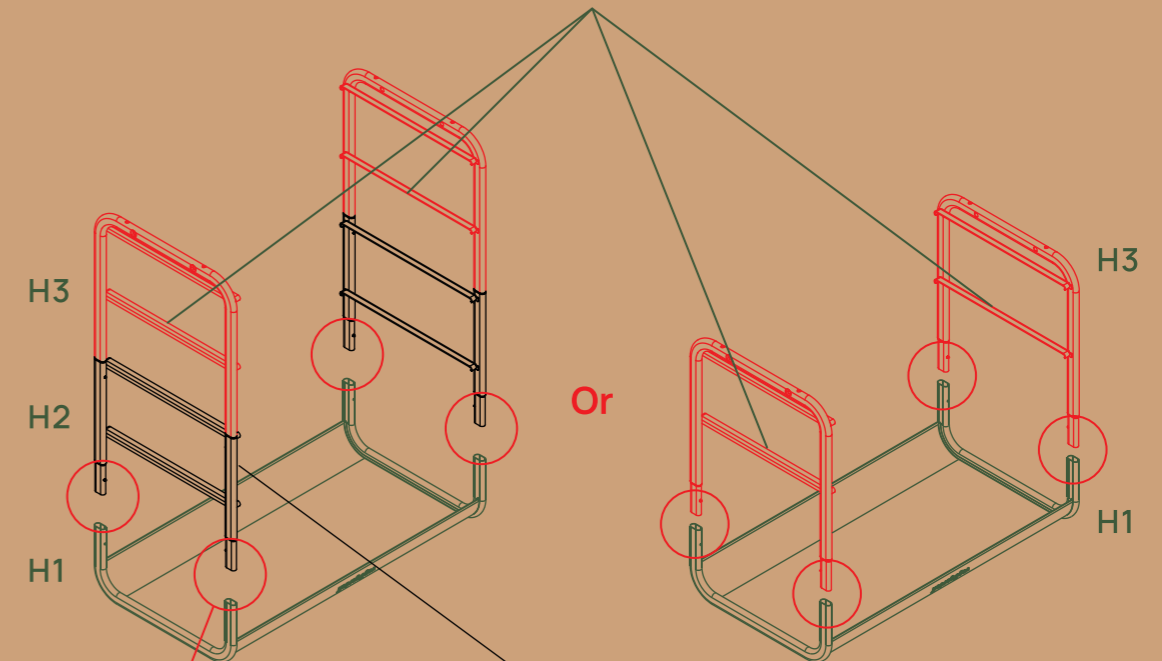
Models		VIGPR-T1	VIGPR-T2
Part Name			
H1		1	1
H2&H3		2	2
H4		2	2
F1		4	4
F2		4	4
F3		1	1
V3		1	2
V4		2	2
S7 (Optional)		3	6
C1		1	1
Grow Light		1Pack x 1	2Pack x 1

# Assembly Instructions

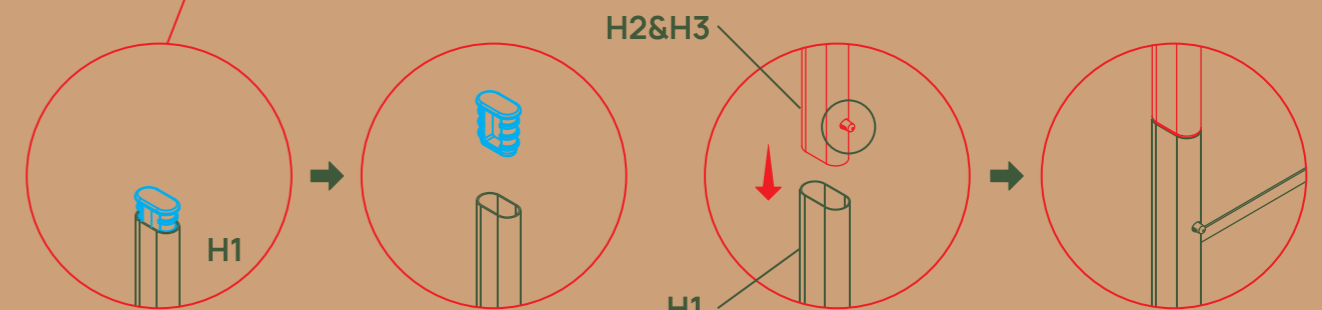
## For VIGPR-T1

- 1 Turn H1 upside down, remove the protective plugs, then press H2&H3 down and insert it into H1 using the spring button. You can assemble it in different ways according to your needs. Press H2&H3 firmly straight down into H1. Keep the direction horizontal. Use a rubber mallet if needed to help secure the parts in place.

Ensure the supports are facing inwards.



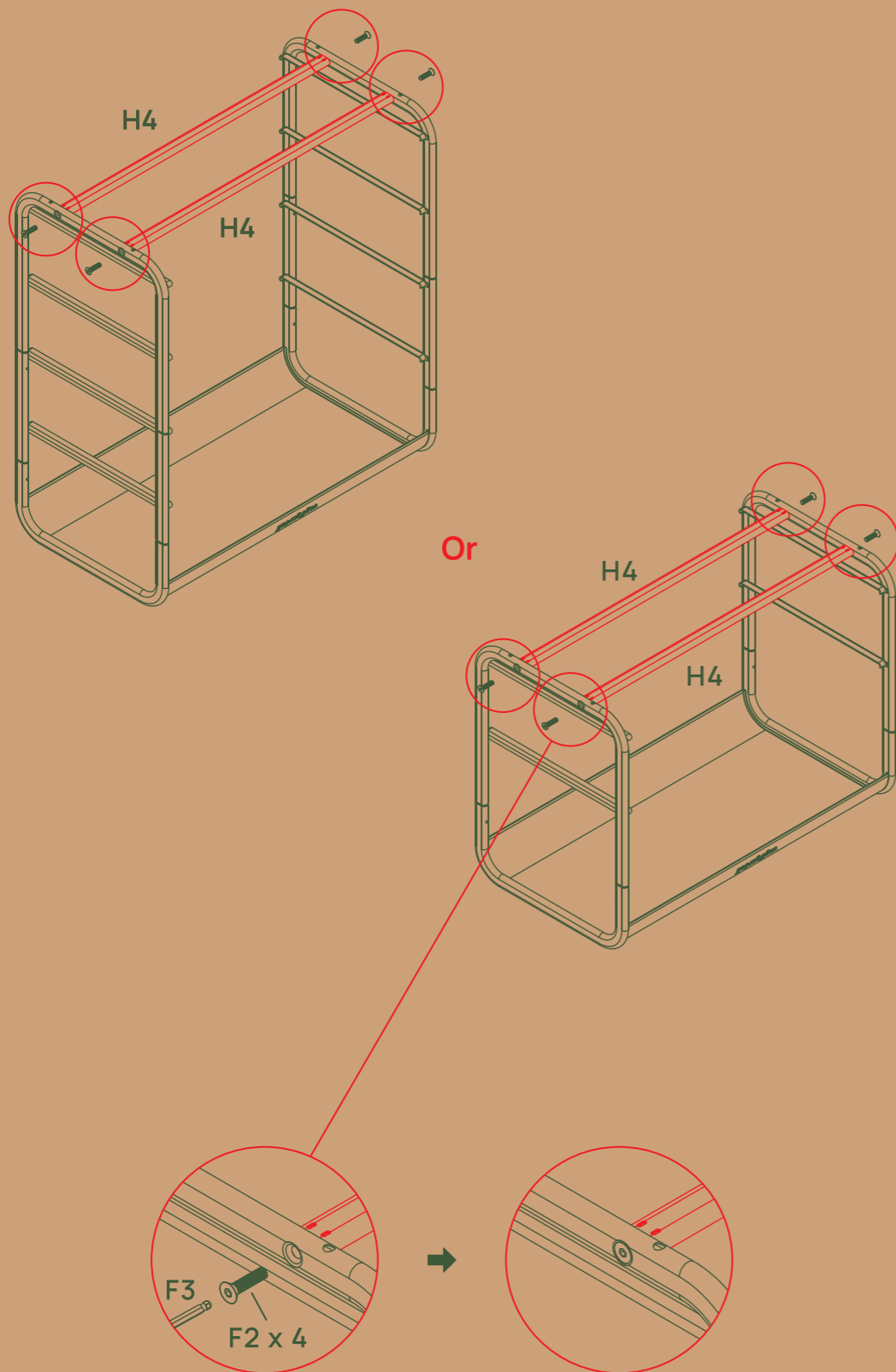
Please choose whether to install H2 based on your usage needs.



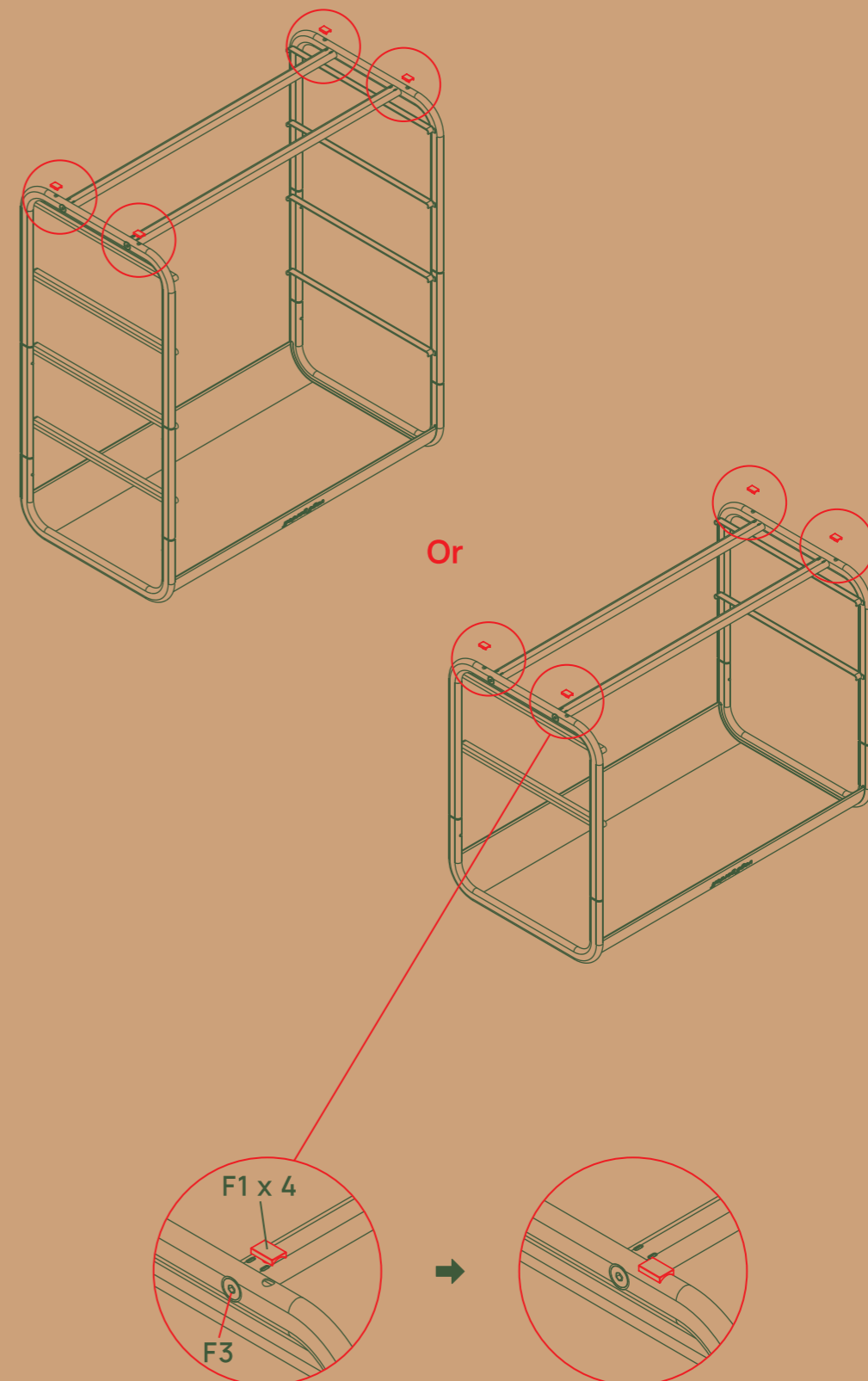
Flip H1 over and remove the protective plugs.

Press the spring button

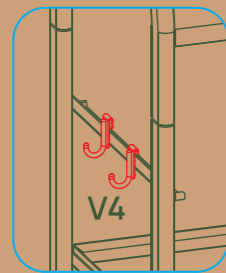
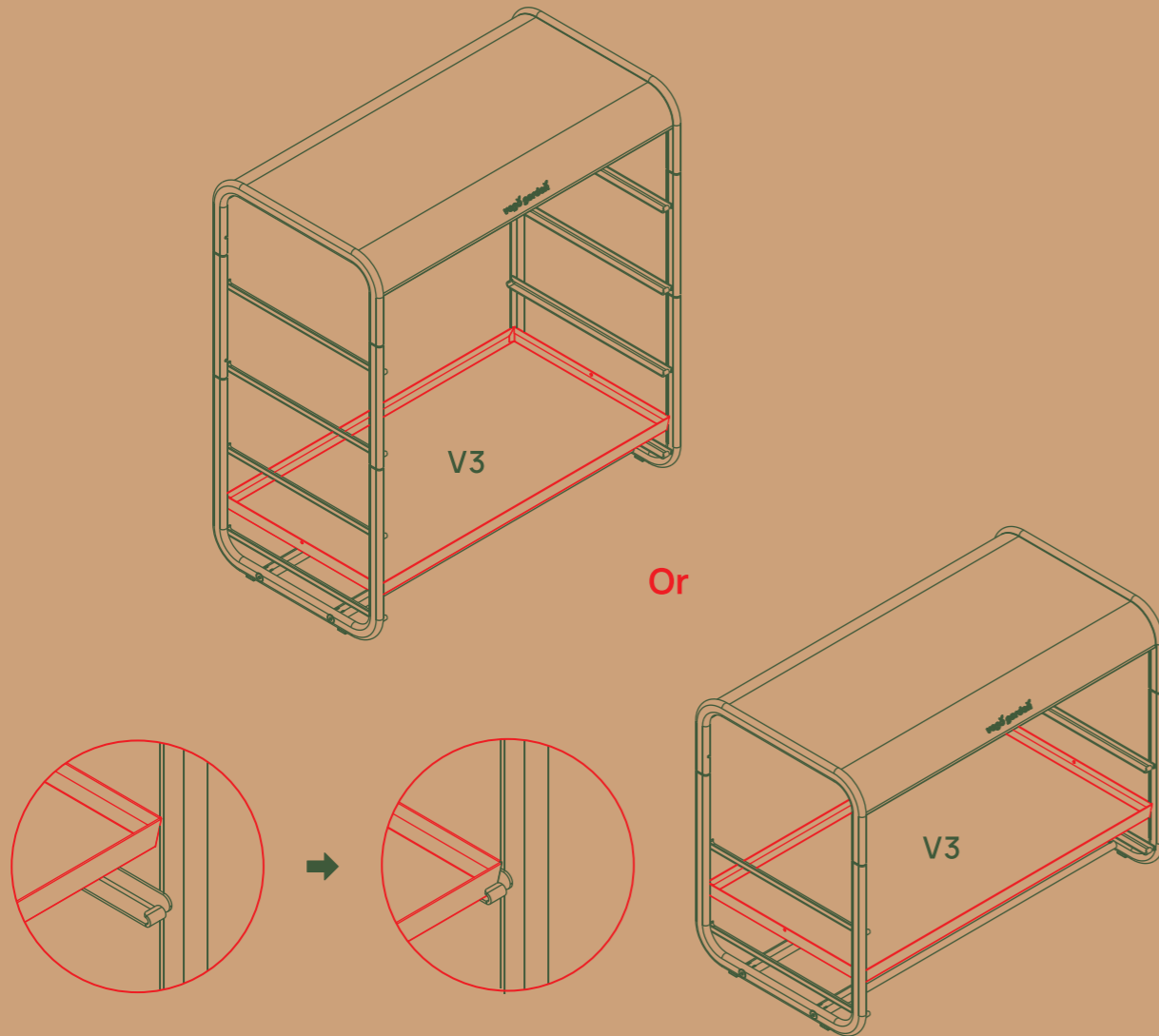
2 Use F2 and F3 to secure H4.



3 Insert F1 into the recessed hole of H3.



- 4** Flip the assembled parts over, place V3 in the position shown in the diagram.

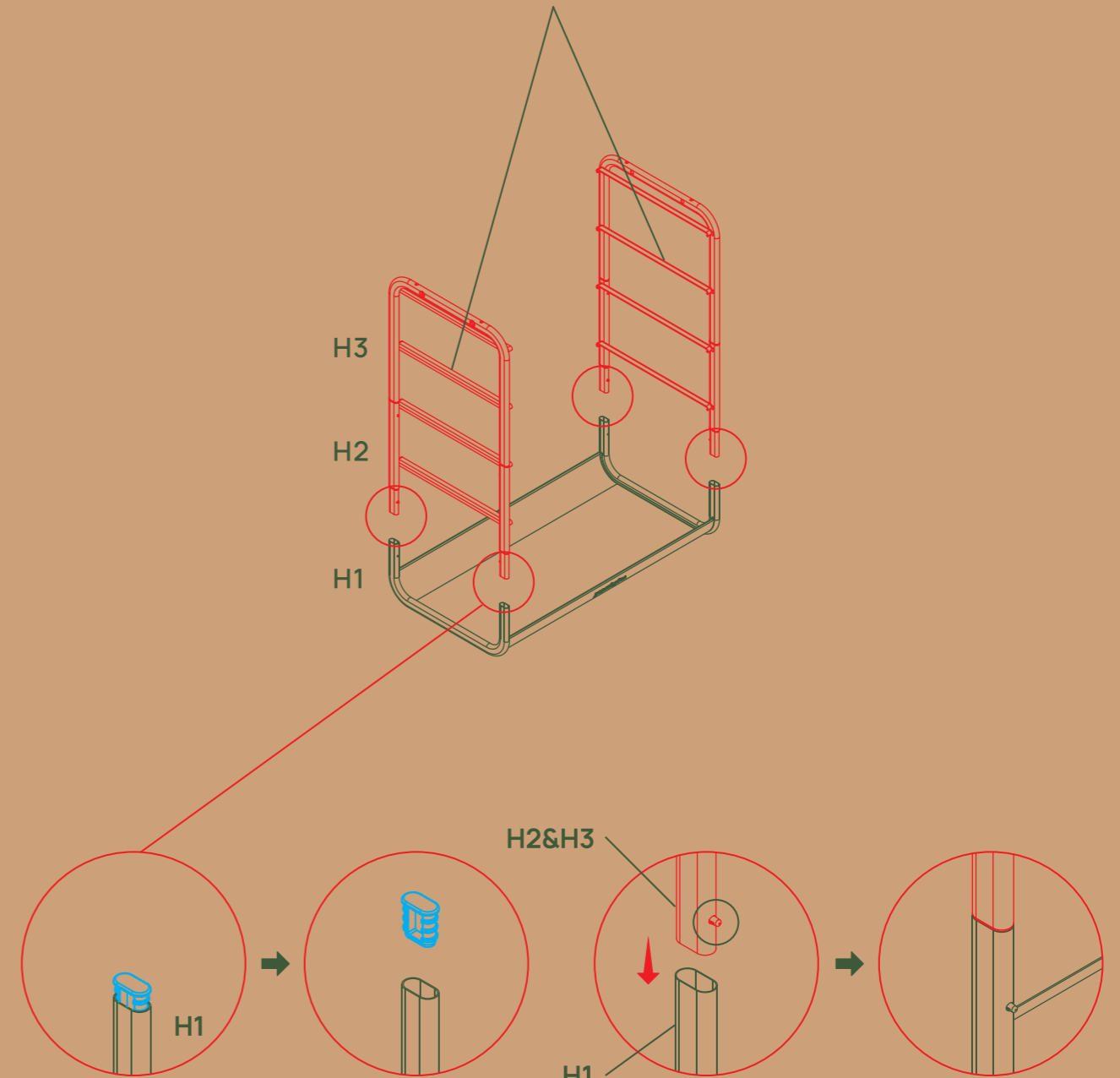


Simply hook (V4) onto the side of your Grow Light Garden to keep tools handy and your space organized.

**For VIGPR-T2**

- 1** Turn H1 upside down, remove the protective plugs, then press H2&H3 down and insert it into H1 using the spring button. Press H2&H3 firmly straight down into H1. Keep the direction horizontal. Use a rubber mallet if needed to help secure the parts in place.

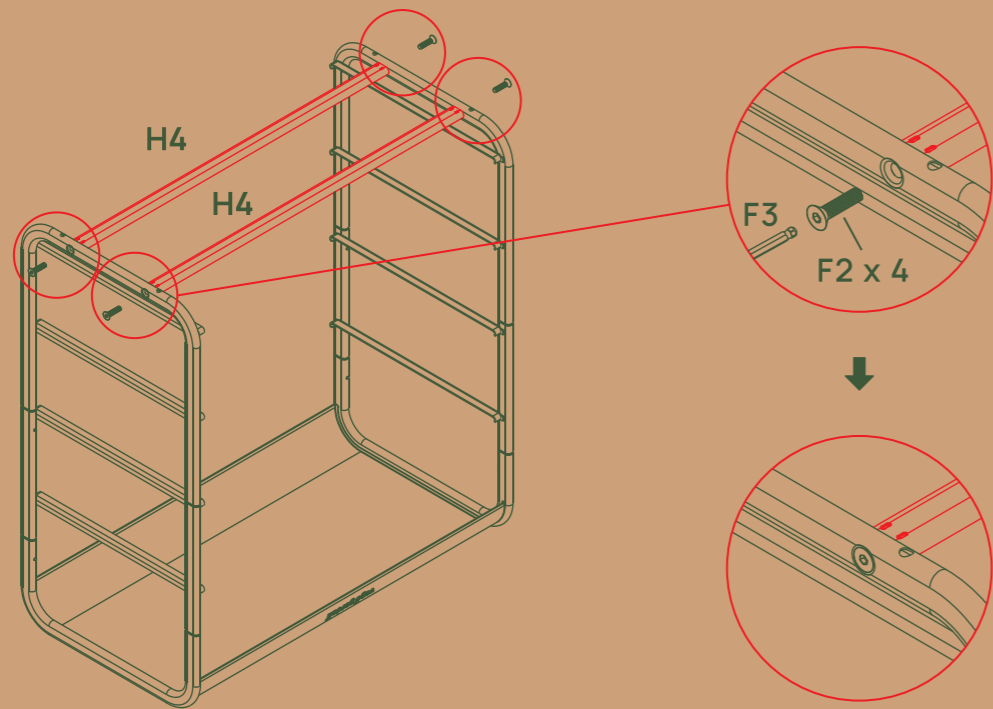
Ensure the supports are facing inwards.



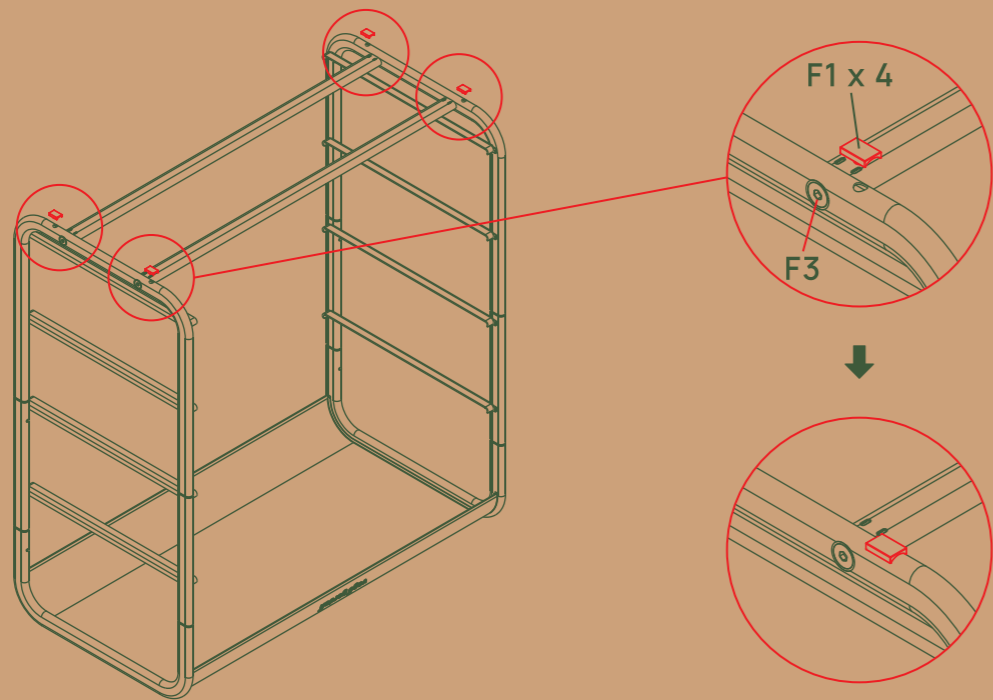
Flip H1 over and remove the protective plugs.

Press the spring button

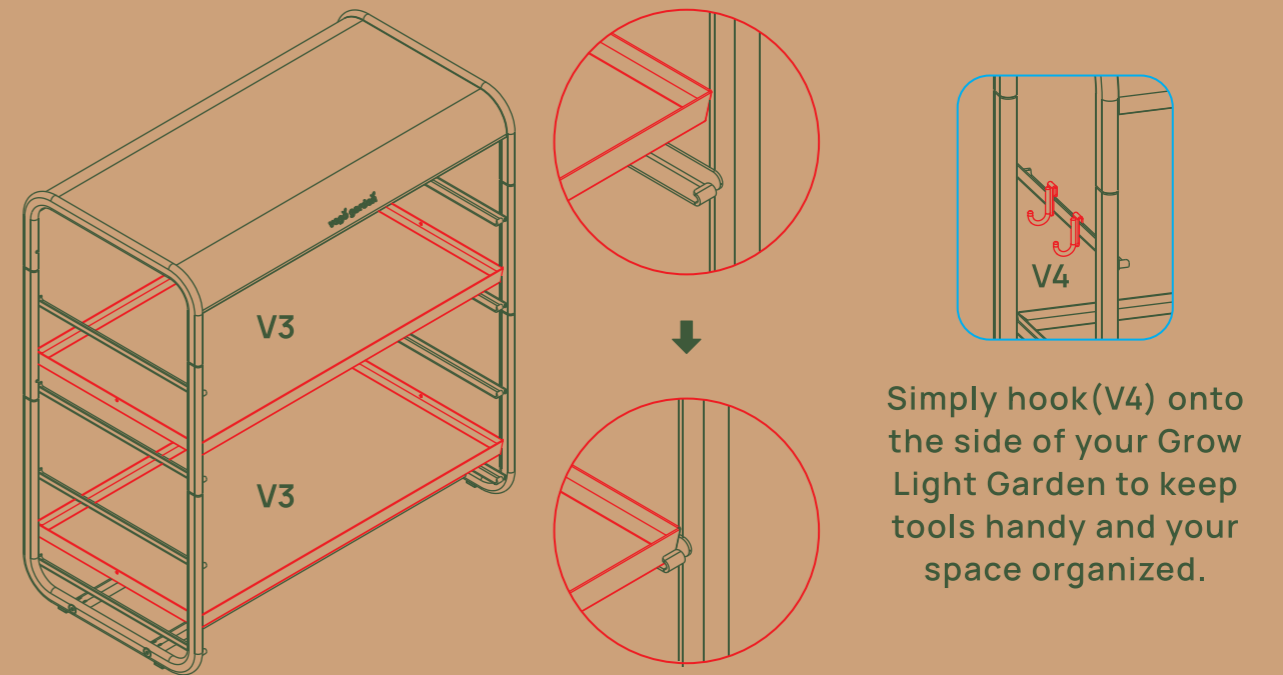
2 Use F2 and F3 to secure H4.



3 Insert F1 into the recessed hole of H3.

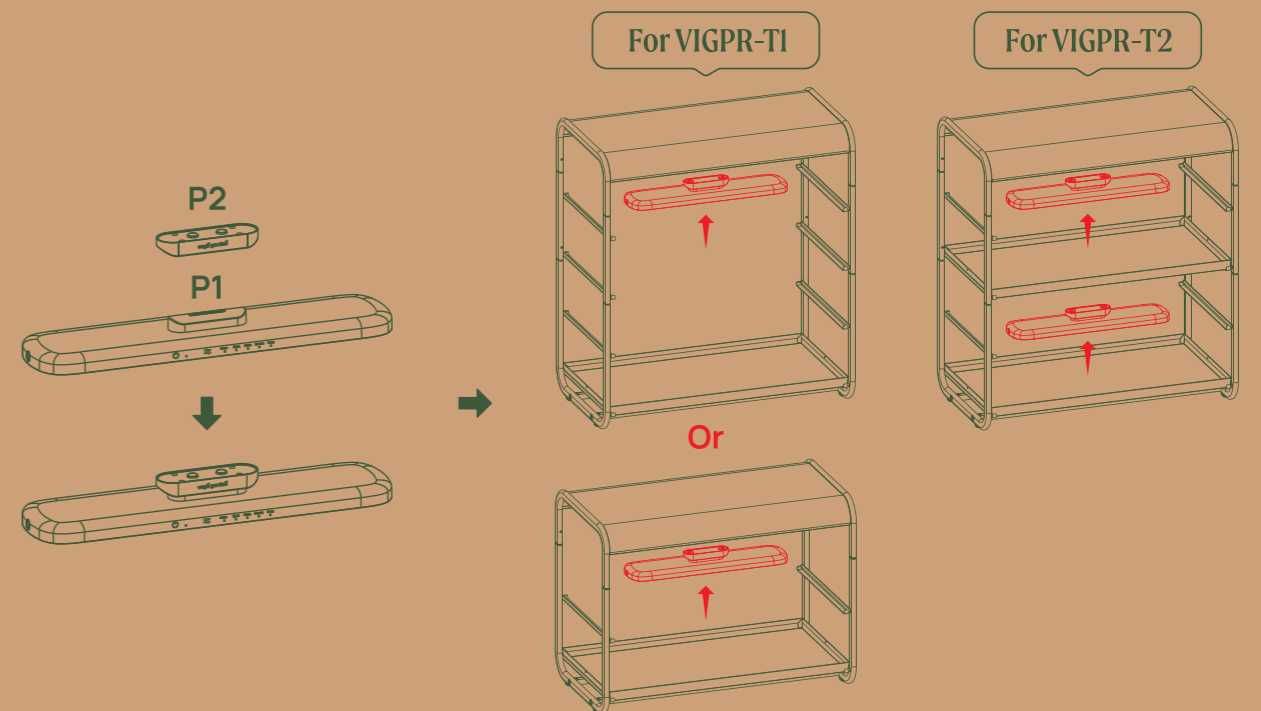


4 Flip the assembled parts over, place V3 in the position shown in the diagram.

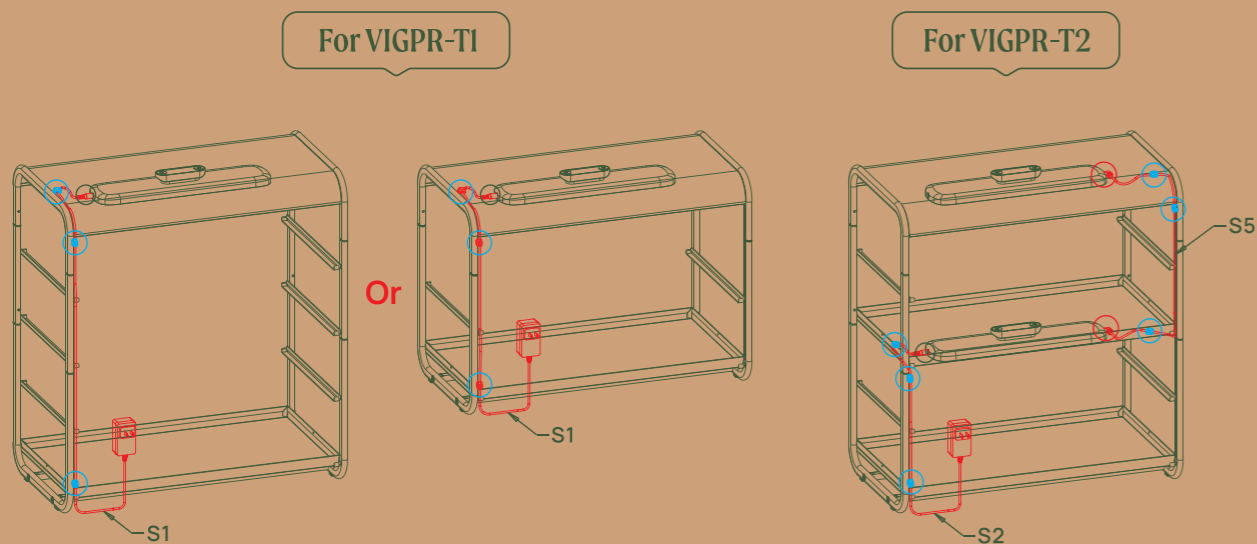


### Adding Grow Lights

1 Attach P1 and P2 together using the magnetic connection. Then, magnet the P1 & P2 combinations to the underside of the top panel and shelves.

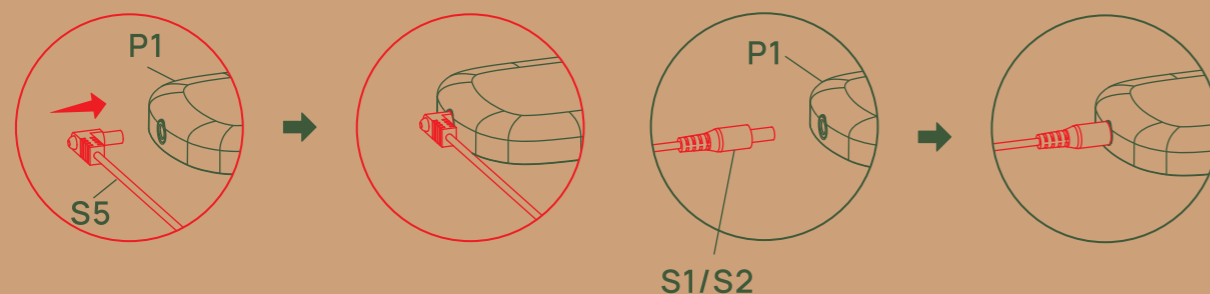


- 2** Use S5 to connect P1 in series, then organize the cables with S7. Finally, connect S1 and S2 to a power outlet.

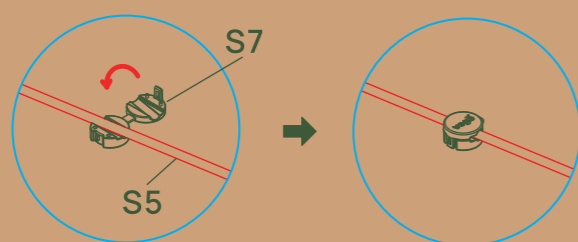


Use S5 to connect P1 in series.

After organizing the cables, connect the power using S1 and S2 (S2 supplies power to two lights, and S1 supplies power to one light.)



Use S7 to secure the S5 cables, then magnet them to the frame and trays. (recommended to route along the back).



## Cleaning and Maintenance

### Tray Cleaning:

Remove the trays from the frame and clean them using mild soap and water. Ensure they are completely dry before reinserting them into the frame.

### Frame Cleaning:

Wipe the frame with a damp cloth. Avoid using harsh chemicals that could damage the finish.

### Grow Light Maintenance:

Clean the light with a soft cloth to maintain optimal light intensity.

## Safety Precautions

### Stability & Load Capacity:

Ensure the shelving unit is placed on a level surface. Do not exceed 33 pounds of weight on each tray.

### Water and Electricity Safety:

Keep the power cords and electrical components dry at all times. Avoid exposing the grow lights to water.

### Handling:

Be cautious when adjusting trays or installing the grow lights to avoid injury.

## Q&A

### **Q1: How do I adjust the trays on the shelving unit?**

**A1:** The trays can be adjusted by placing them onto the side supports at the desired height. You can also remove the trays and stack them on top of each other if you need more space for taller plants.

### **Q2: Can I use the grow light without the shelving unit?**

**A2:** Yes, the grow light can be used independently from the shelving unit. The magnetic mount allows you to easily attach the grow light to any steel surface or use our 3M adhesive plate for a non-steel surface.

### **Q3: How do I clean the trays and the frame?**

**A3:** To clean the trays, simply remove them from the shelving unit and wash with mild soap and water. The frame can be wiped with a damp cloth. Avoid using harsh chemicals that could damage the material.

### **Q4: Can the shelving unit be used outdoors?**

**A4:** The shelving unit is designed for indoor use. It may be used outdoors, but exposure to harsh weather conditions, direct sunlight, or moisture for prolonged periods may cause damage.

### **Q5: The grow light isn't turning on. What should I do?**

**A5:** Ensure that the power cable is securely connected and that the light is plugged into a working electrical outlet. If the light still doesn't turn on, check if the connection wires between the lights are securely plugged in and ensure the light is turned on. If necessary, reconnect the wires.

### **Q6: How do I ensure my plants get the right amount of light?**

**A6:** Adjust the grow light's position according to the height and needs of your plants. Use the different modes of the grow light to provide the appropriate light intensity and duration based on the plant's type and growth stage.

### **Q7: Is the unit easy to assemble?**

**A7:** Yes, the shelving unit is designed for easy assembly with clear instructions provided in the manual. The process should take within 3 mins.

### **Q8: Can it accommodate larger plants?**

**A8:** Yes! In order to make room for larger or taller plants, remove and/or stack shelves to make openings for your plants to grow.

### **Q9: Is the grow light energy-efficient?**

**A9:** Yes, the full-spectrum LED grow light is designed to be energy-efficient while providing the optimal light spectrum for plant growth. It consumes less power compared to traditional lighting options.

### **Q10: How long should I run the grow light each day?**

**A10:** Our lights are smart and have preset lighting durations and intensities optimized for different plant growth needs. No additional adjustments are required. If you want to temporarily turn off the light but worry about forgetting to turn it back on, you can activate Sleep Mode following the instructions in the grow light manual.

## Warranty and Support

### **Grow Light Warranty**

LED Lifespan: 50,000 Hours.

Electronic Components: 2 year warranty.

Exclusions: Cosmetic damage (e.g., scratches after first use) is not covered under warranty.

### **Shelving Unit Warranty**

Warranty Period: 3 years.

Exclusions: Normal wear and tear, improper usage, and cosmetic damage are not covered.

### **General Warranty Terms**

Warranty is valid for products used as intended and following the provided manual.

Repair or replacement decisions will be made after inspection of the defective parts.

### **Repair Policy**

After the warranty period, replacement parts (e.g., LED boards or electronic components) can be purchased at a fraction of the product cost.

### **Customer Support:**

For any issues, please contact our customer support team via:

Email: [hello@vegogarden.com](mailto:hello@vegogarden.com)

Website: [www.vegogarden.com](http://www.vegogarden.com)