

ASSEMBLY INSTRUCTIONS

COVE COUNTER HEIGHT CHAIR

Please read instructions carefully

Remove all wrapping materials, staples and packing straps from the carton.

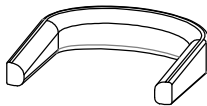

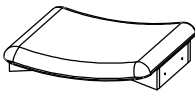

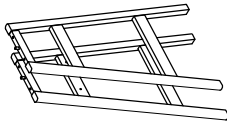





Refer to Parts List and Hardware List and ensure they are complete before you start assembling.

Place all wooden parts on a clean, flat and soft surface (e.g carpet or rug) to prevent parts from being scratched.

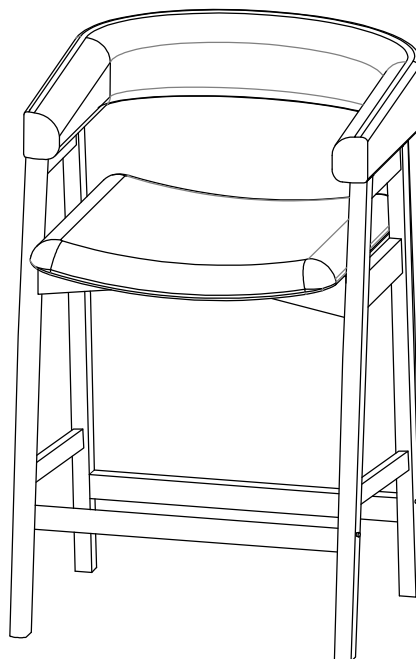
CAUTIONS: 1) DO NOT FULLY TIGHTEN BOLTS AND PLUGS UNTIL ALL PARTS HAVE BEEN ASSEMBLED.

2) DO NOT OVER-TIGHTEN BOLTS AND PLUGS.

3) KEEP ALL HARDWARE PARTS OUT OF REACH OF CHILDREN.

Designation	Part	Qty	Part List	Hardware	Qty	Hardware List
CHAIR ARM	P1	1PC		H1	4PCS	BOLT Ø1/4" x 50mm 
CHAIR SEAT	P2	1PC		H2	8PCS	BOLT Ø1/4" x 35mm 
CHAIR LEGS	P3	2PCS		H3	4PCS	SPRING WASHER Ø5/16" x 13mm 
CHAIR STRETCHERS	P4	2PCS		H4	4PCS	FLAT WASHER Ø5/16" x 19mm 
WOOD PLUGS	P5	4PCS		H5	1PC	ALLEN KEY M4 x 59mm 

COMPLETE ASSEMBLY



ASSEMBLY INSTRUCTIONS

COVE COUNTER HEIGHT CHAIR

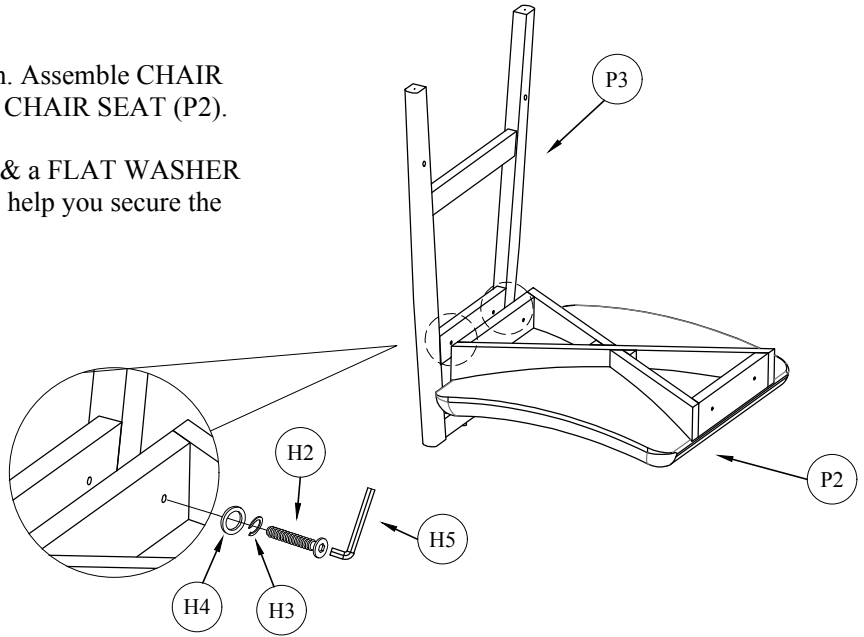
STEP 1

Prepare the CHAIR SEAT (P2) by placing it upside-down. Assemble CHAIR LEGS (P3) by attaching it to the connecting blocks in the CHAIR SEAT (P2).

Align BOLT (H2) fitted with a SPRING WASHER (H3) & a FLAT WASHER (H4) through the connecting block holes. These bolts will help you secure the legs to the seat.
See example image.

Tighten all the bolts with ALLEN KEY (H5).

H2 x 2PCS	
H3 x 2PCS	
H4 x 2PCS	
H5	



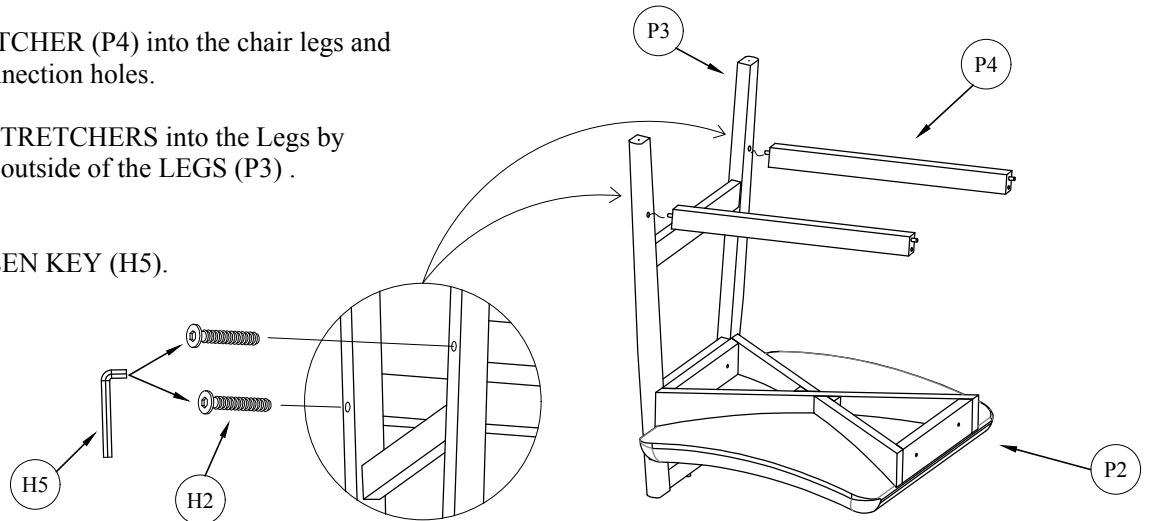
STEP 2

Attach the two CHAIR STRETCHER (P4) into the chair legs and align them into the correct connection holes.

Use Bolts (H2) to secure the STRETCHERS into the Legs by screwing in the bolts from the outside of the LEGS (P3).
See image below.

Tighten all the bolts with ALLEN KEY (H5).

H2 x 2PCS	
H5	



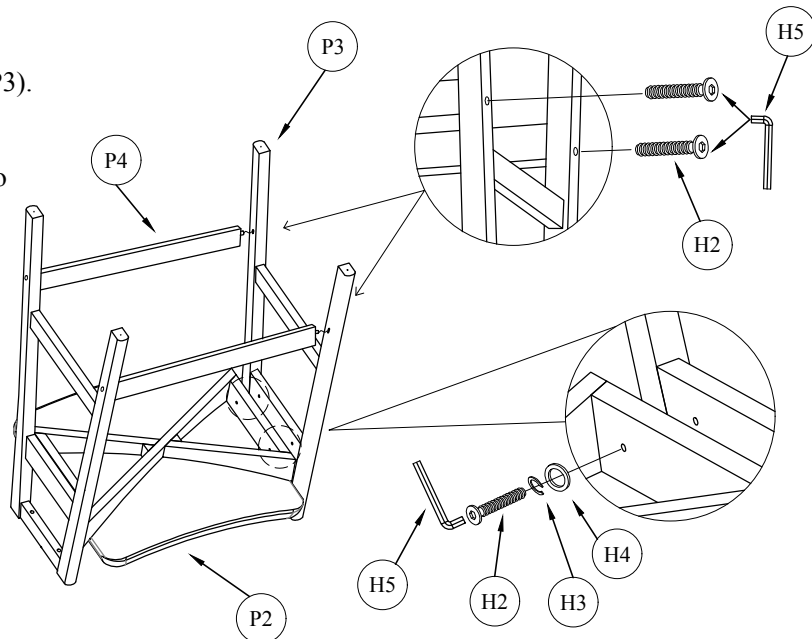
STEP 3

Repeat STEP 1 by assembling the other set of CHAIR LEGS (P3).

Connect the other side of the STRETCHERS (P4) into this new chair legs and align them into the correct connection holes. Also repeat STEP 2 to finish securing the chair seat and legs.

Tighten all the bolts with ALLEN KEY (H5).

H2 x 4PCS	
H3 x 2PCS	
H4 x 2PCS	
H5	



ASSEMBLY INSTRUCTIONS

COVE COUNTER HEIGHT CHAIR

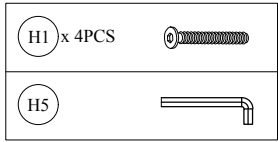
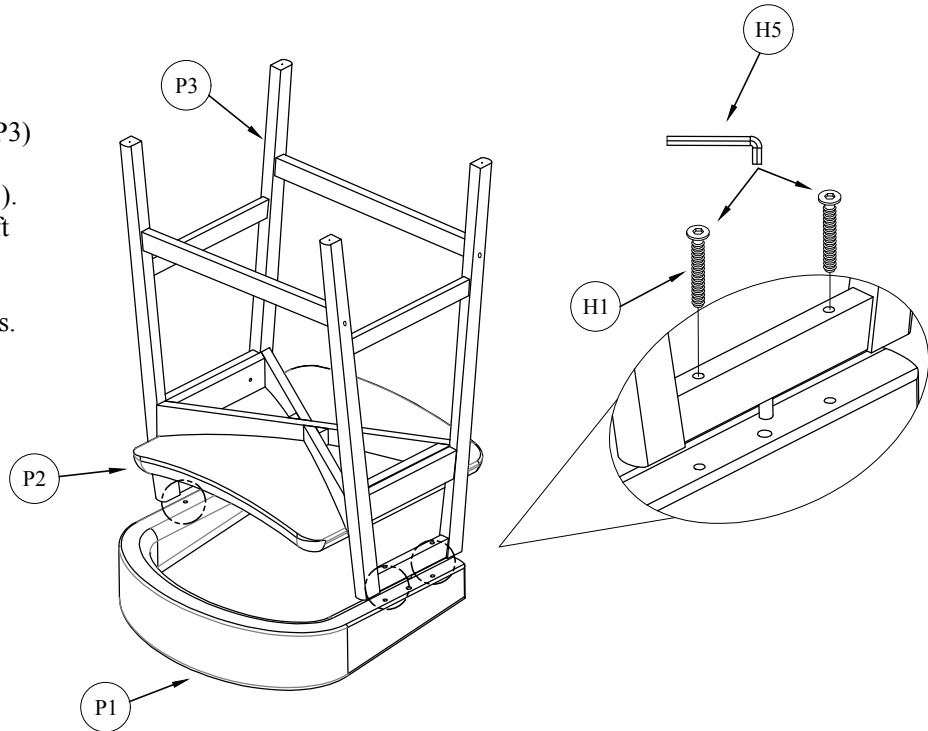
STEP 4

Prepare the CHAIR ARM (P1) by placing it upside-down on a flat, soft & clean surface.

Prepare the CHAIR SEAT (P2) and CHAIR LEGS (P3) to connect it in the pre-drilled holes in the CHAIR ARM (P1) by one wooden peg on CHAIR LEGS (P3). Then secure the parts with two bolts on each side (left and right).

Align BOLT (H1) through the connecting block holes. See example image.

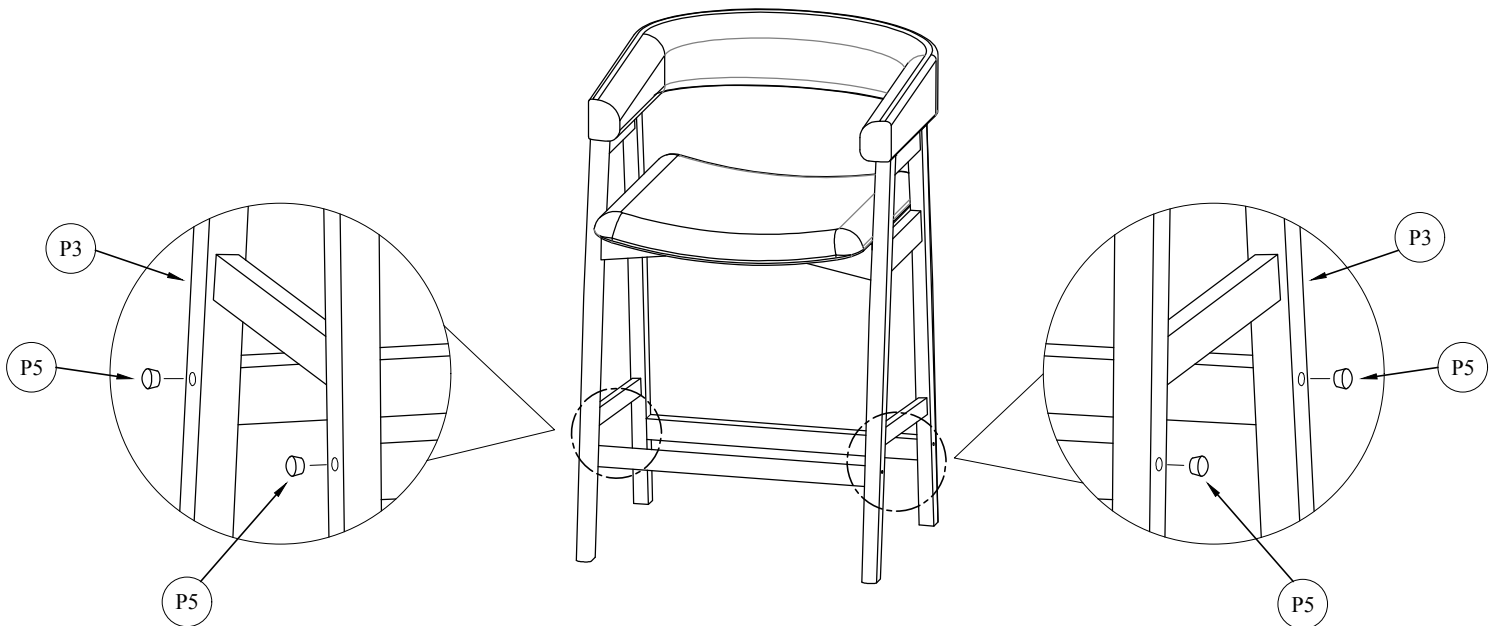
Tighten all the bolts with ALLEN KEY (H5).



Carefully reposition the chair upright.

STEP 5

Attach the provided WOOD PLUGS (P5) to each CHAIR LEG (P3) to cover the Bolts for a more aesthetic look.



CARE AND MAINTENANCE

- SAFETY** - To avoid any risk of suffocation to children or animals, dispose off the plastic bags immediately.
- CLEANING** - Clean with damp cloth and mild detergent. Do not use bleach or abrasive products.
- FITTINGS** - Tighten bolts and plugs from time to time to ensure all parts of product are securely fitted.