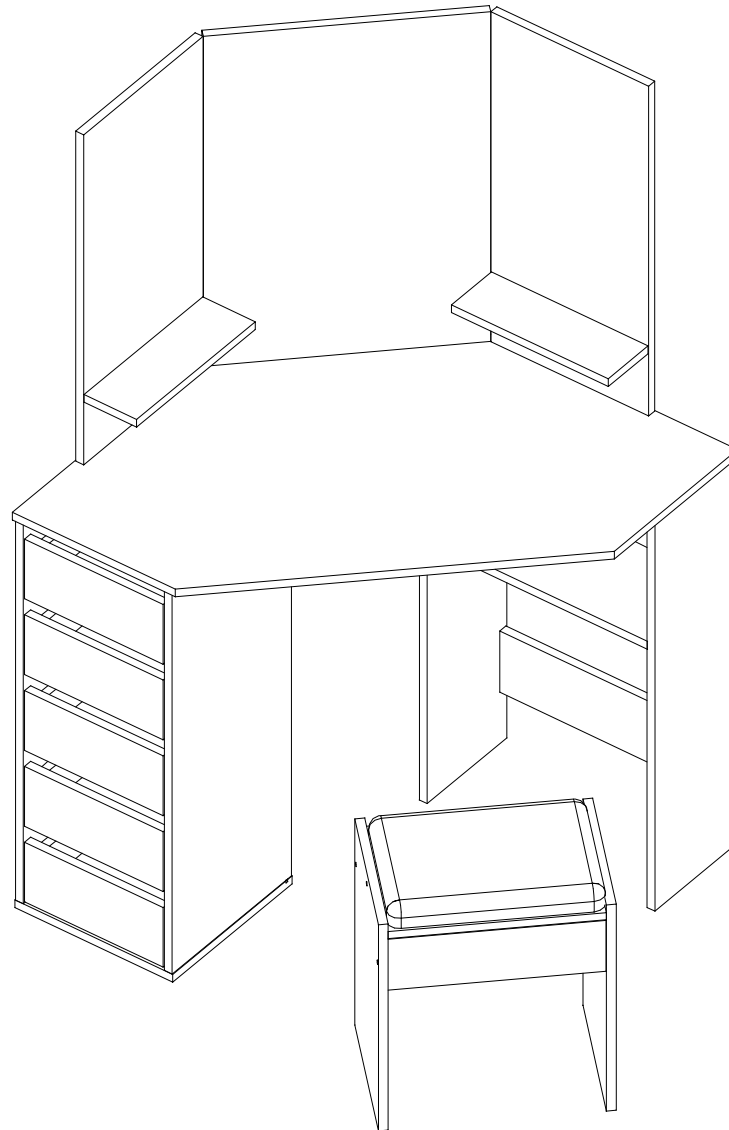
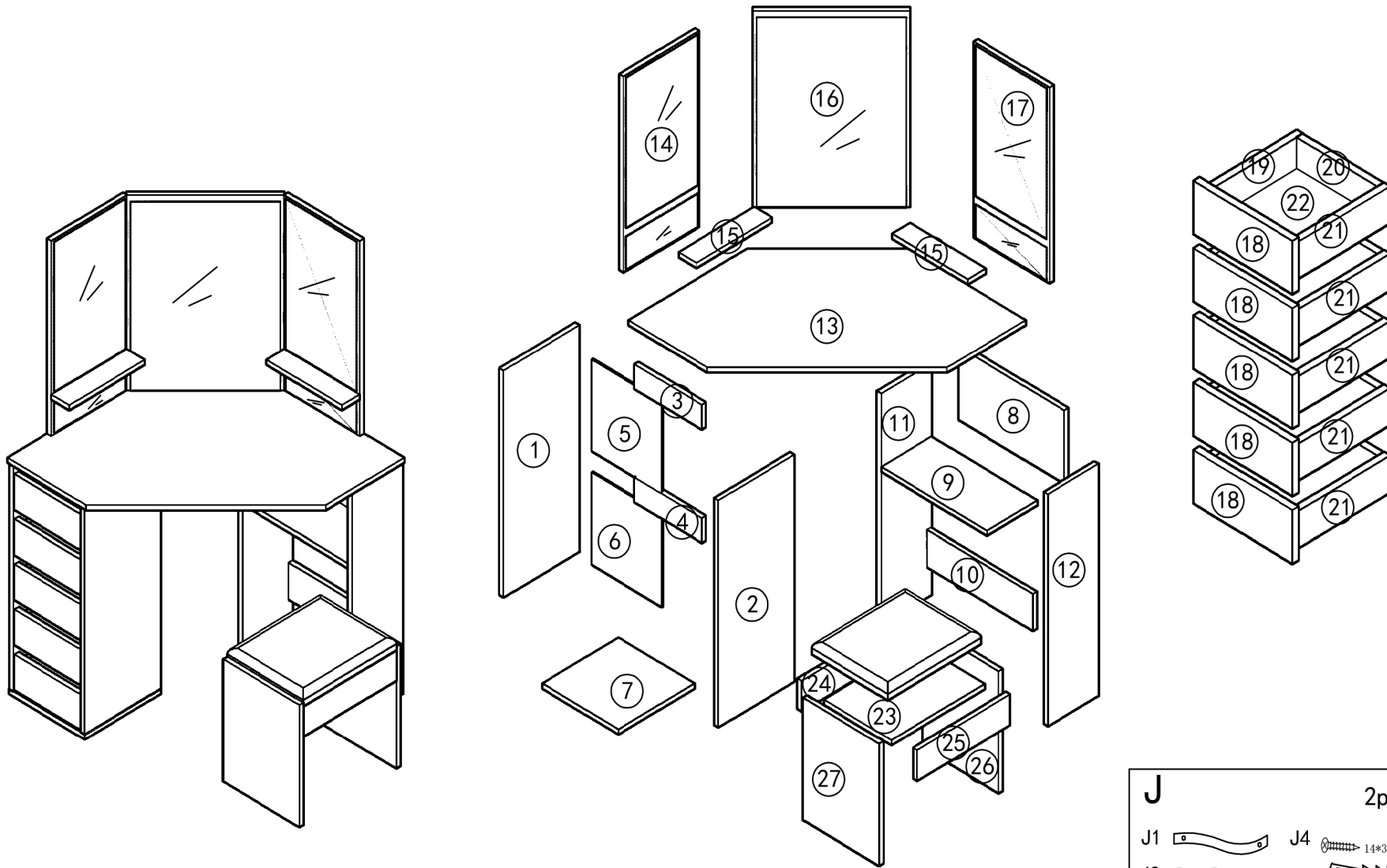


Dressing Table Set





J 2pcs

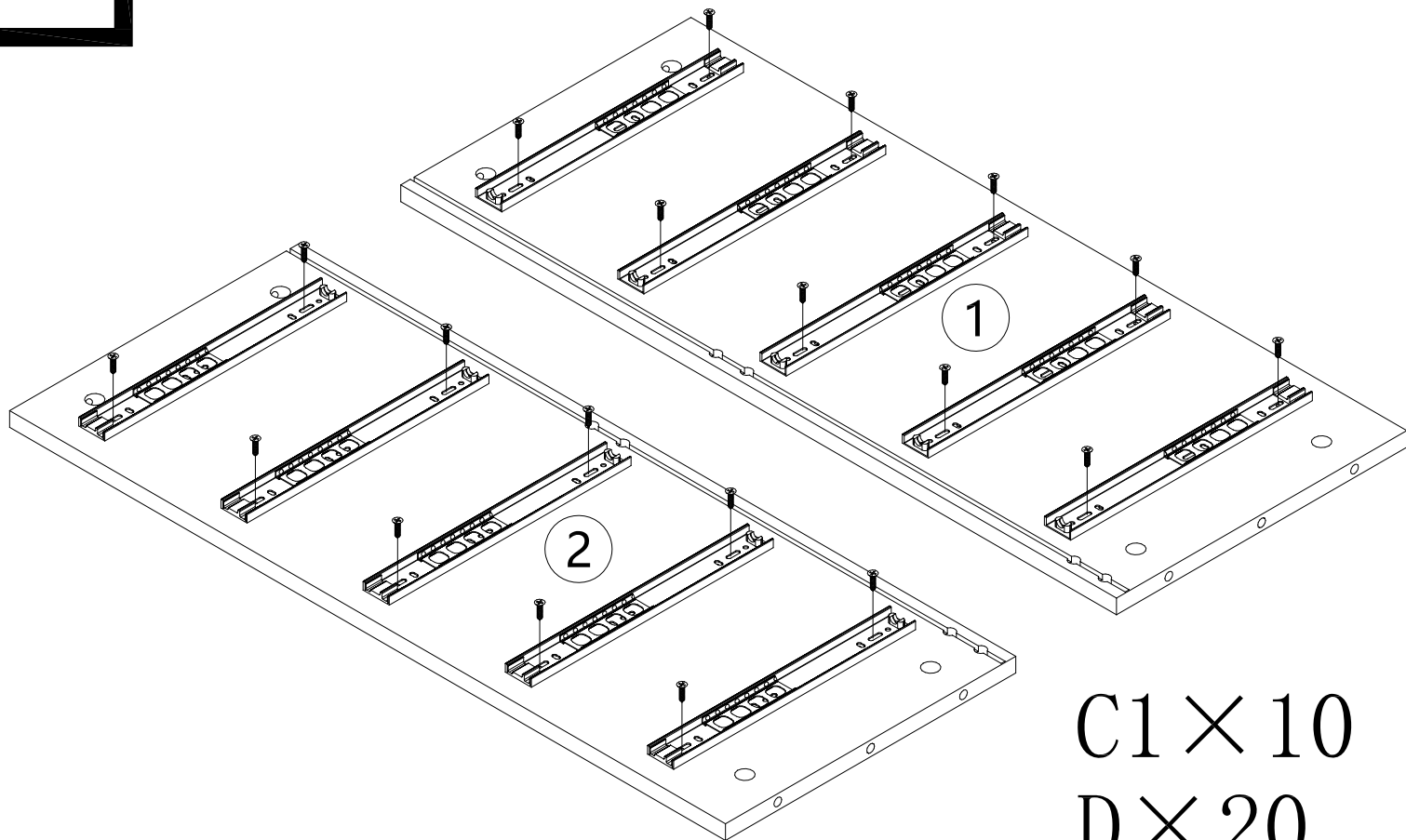
J1 J4 14*3.5mm

J2 J5

J3 35*3.5mm

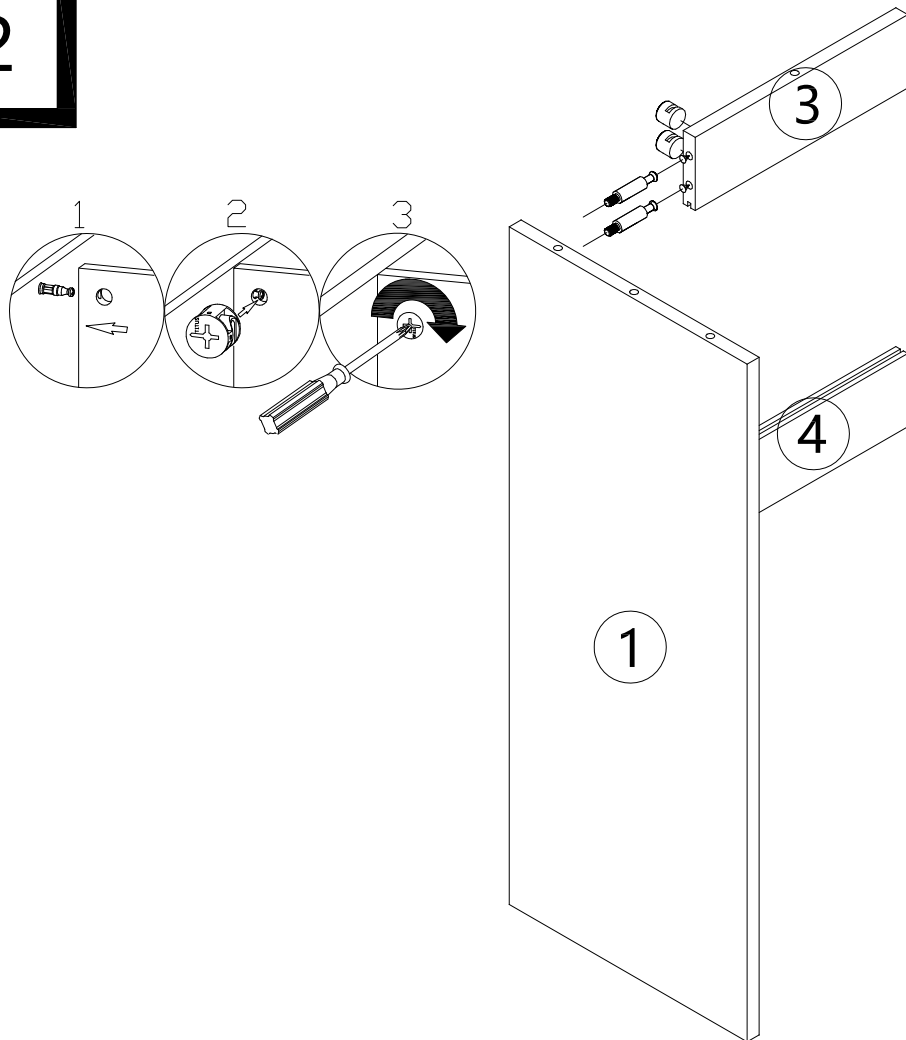
<p>A 63pcs</p>	<p>B 21pcs</p>	<p>C 5pcs</p>	<p>D 56pcs</p> <p>14*3.5</p>	<p>E 12pcs</p>	<p>F 20pcs</p> <p>35*3.5</p>	<p>G 2pcs</p>	<p>H 6pcs</p> <p>50*7</p>	<p>I 6pcs</p> <p>11 12</p>
-----------------------	-----------------------	----------------------	-------------------------------------	-----------------------	-------------------------------------	----------------------	----------------------------------	-----------------------------------

1



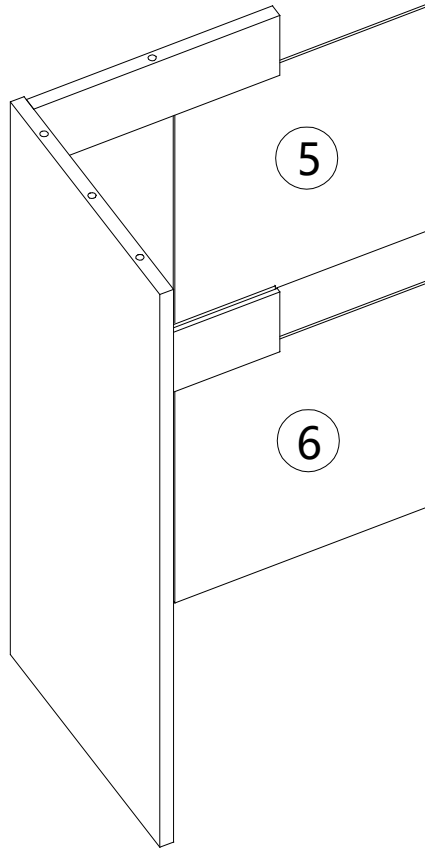
$C1 \times 10$
 $D \times 20$

2

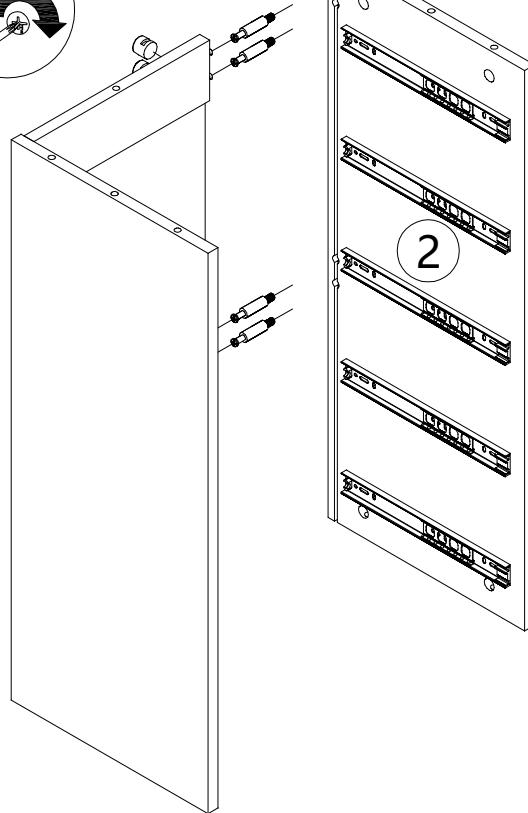
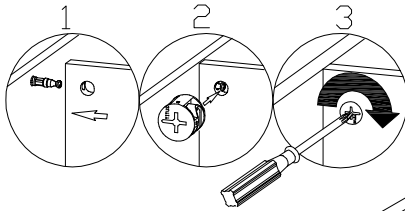


$A \times 4$

3

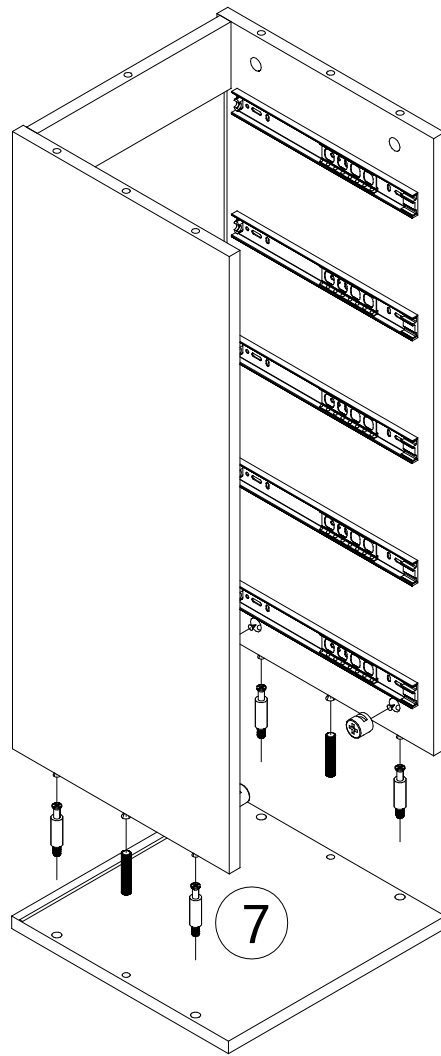
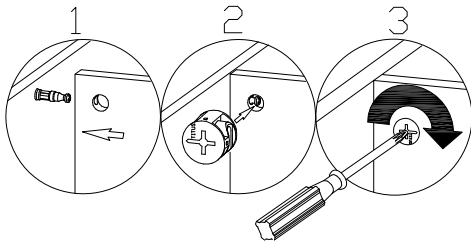


4



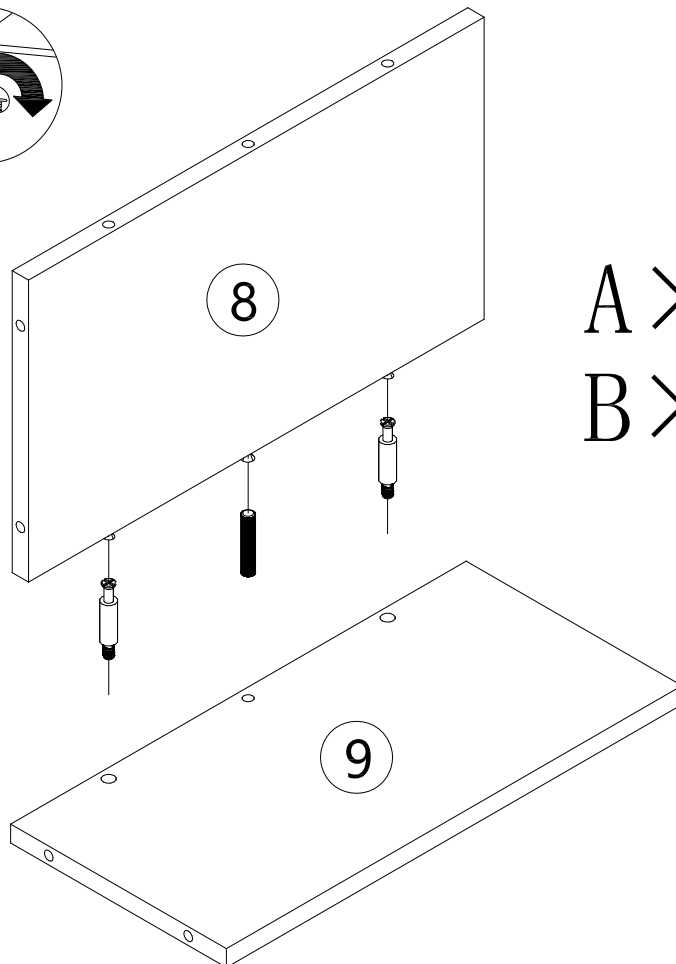
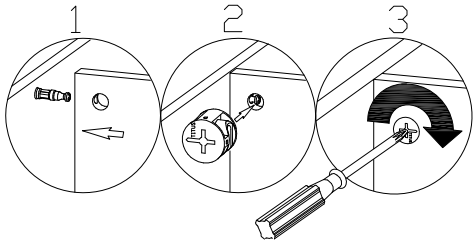
A × 4

5



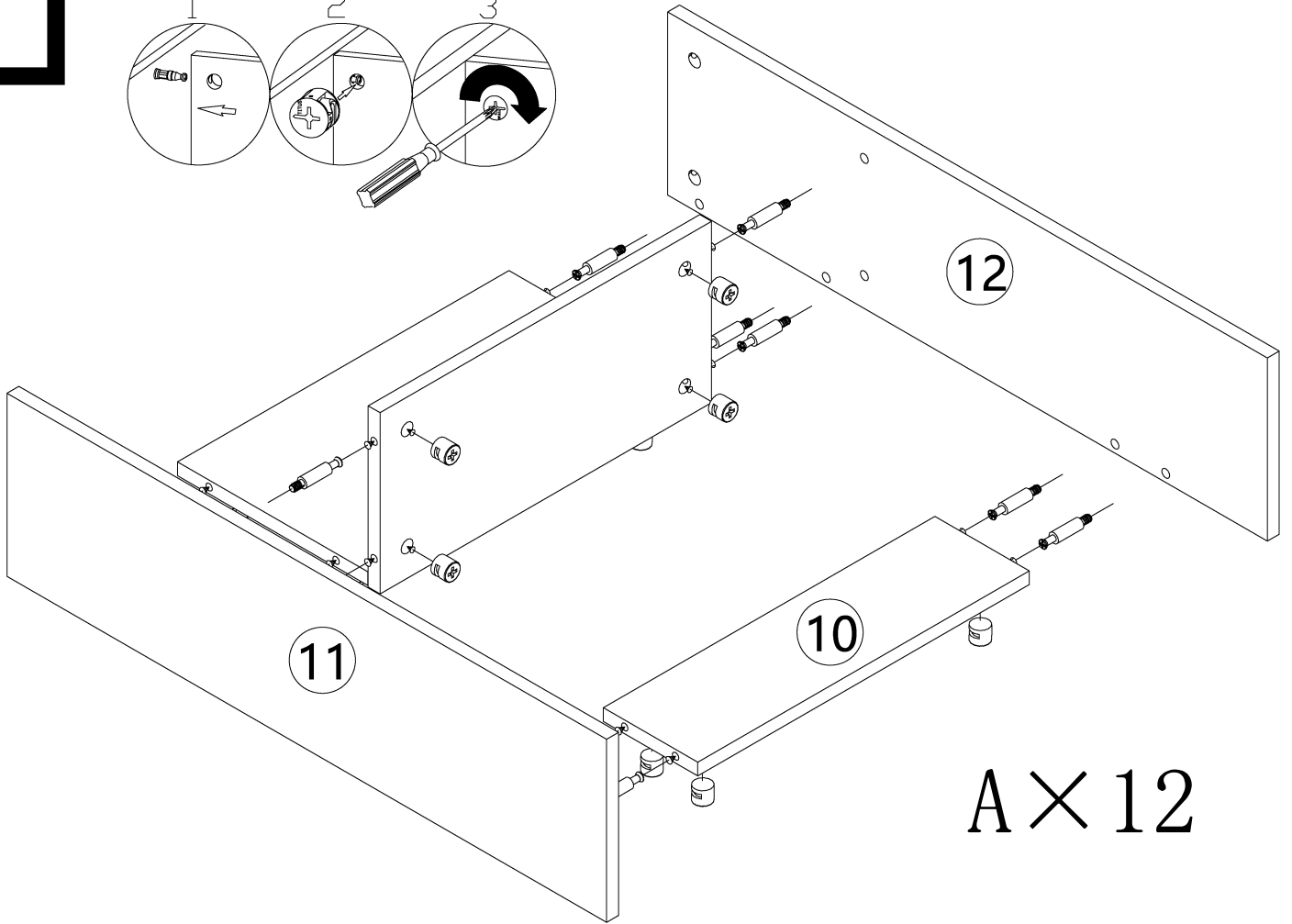
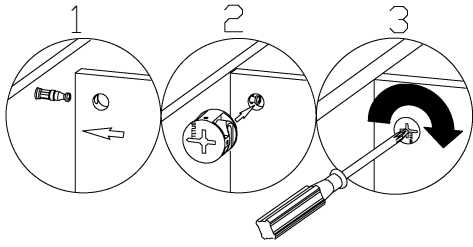
$A \times 4$
 $B \times 2$

6



$A \times 2$
 $B \times 1$

7



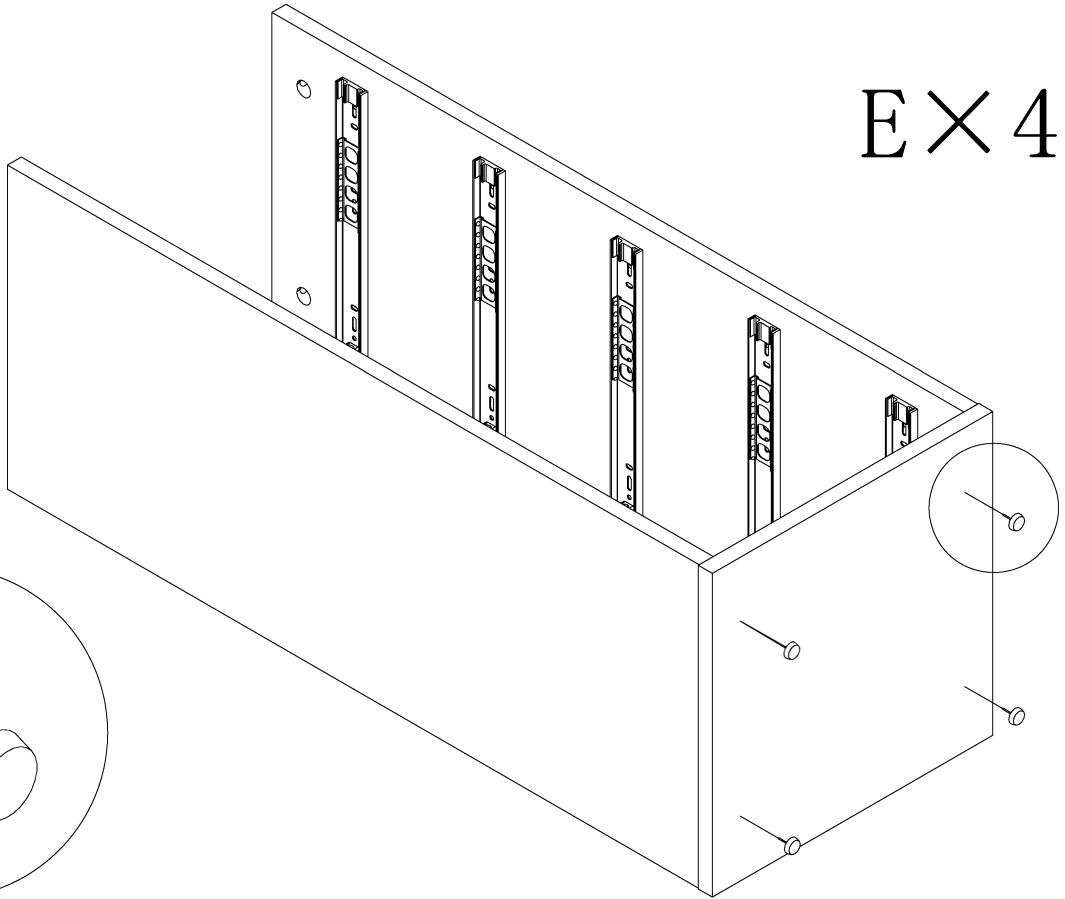
12

11

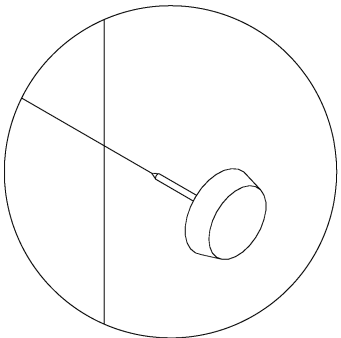
10

A x 12

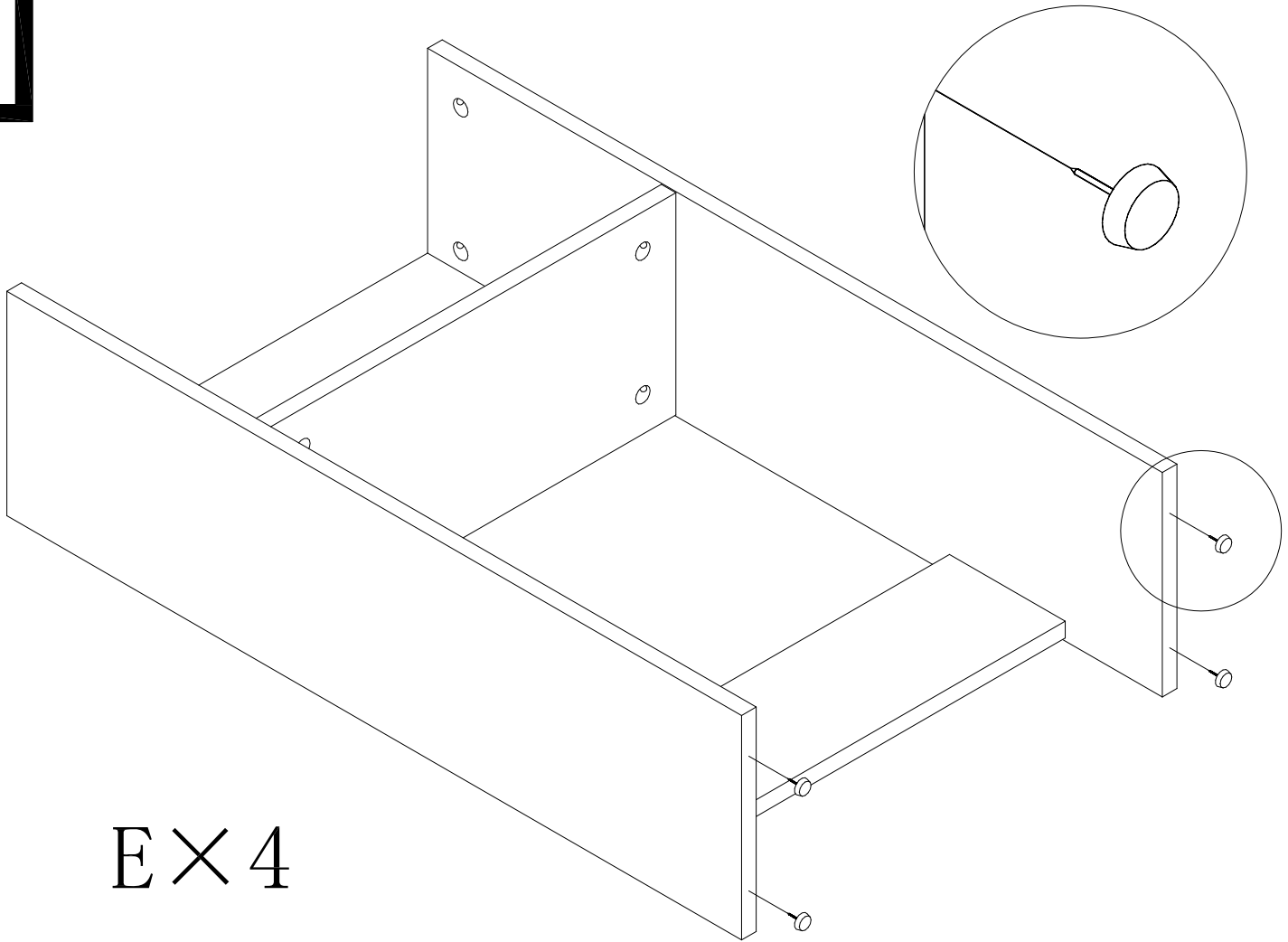
8



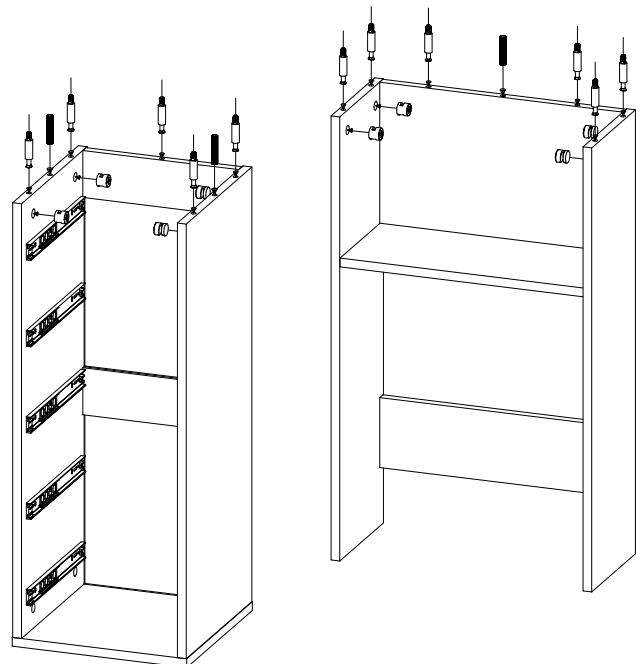
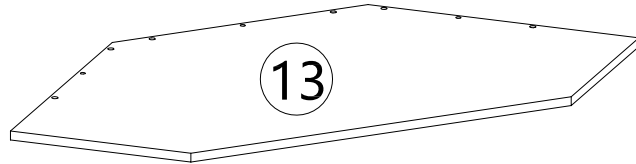
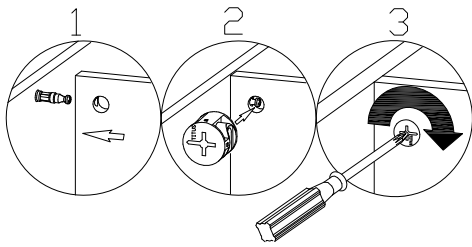
E x 4



9

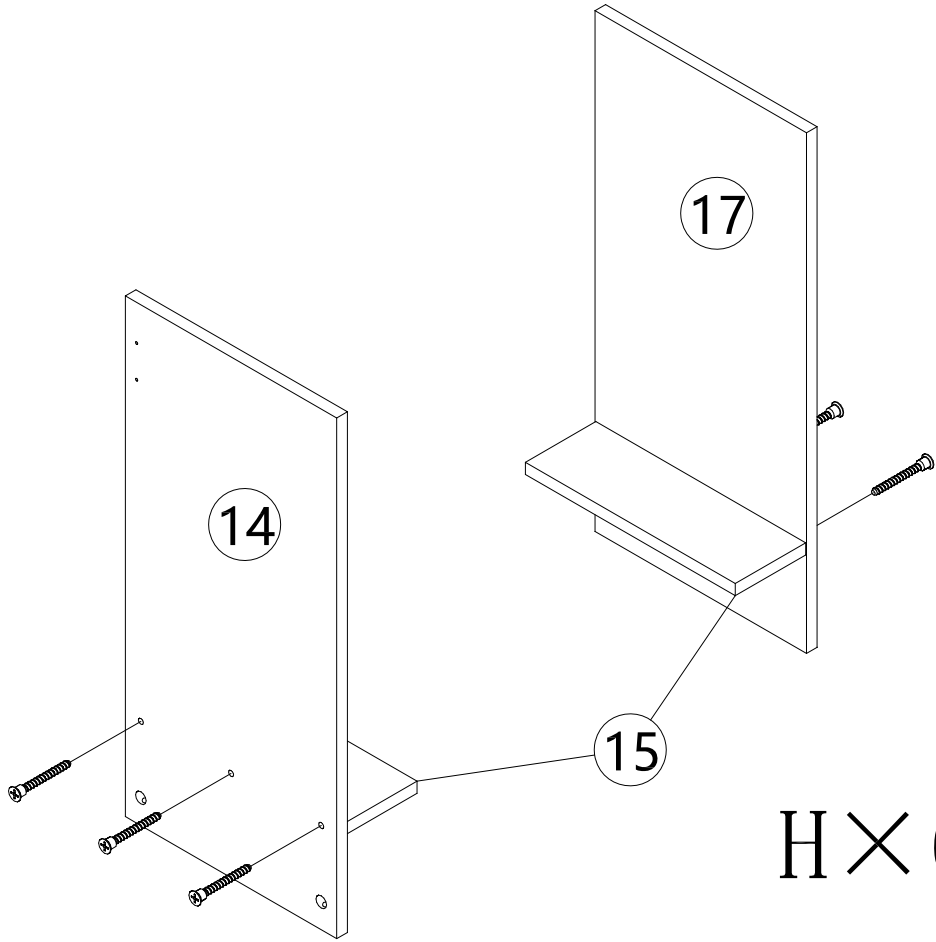


10



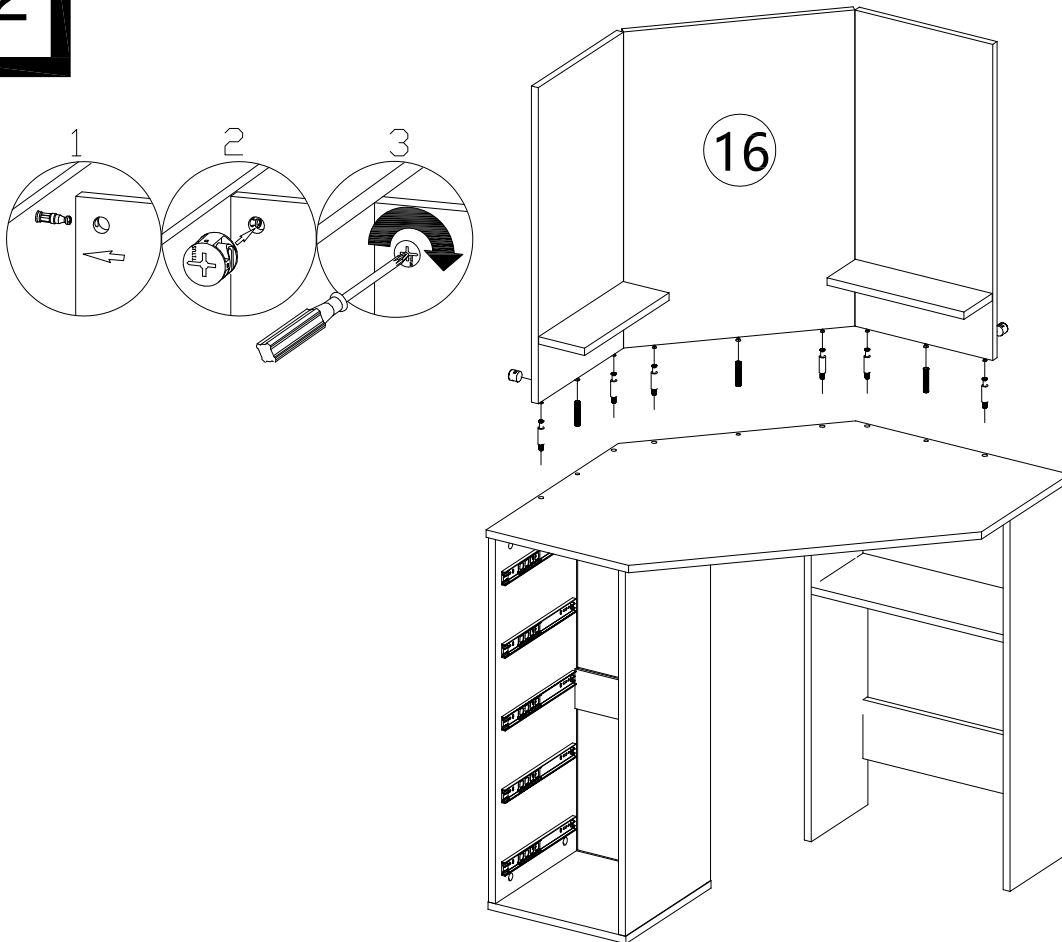
$A \times 11$
 $B \times 3$

11



$H \times 6$

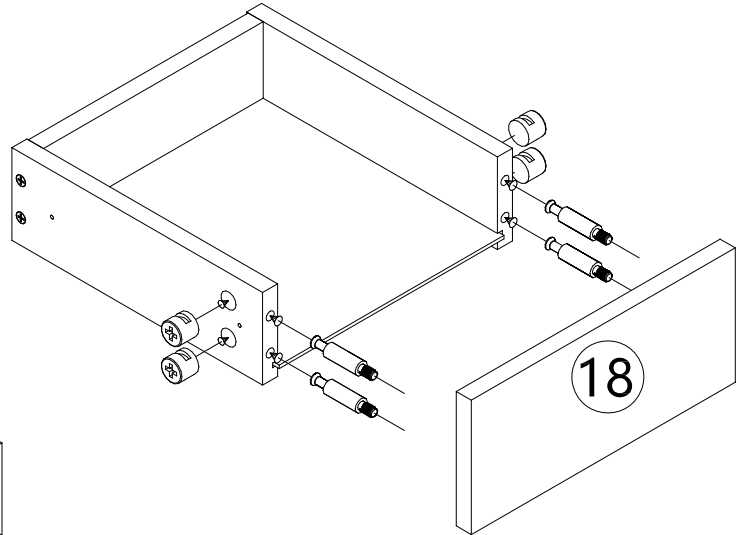
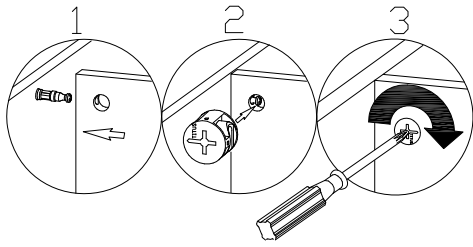
12



$A \times 6$

$B \times 3$

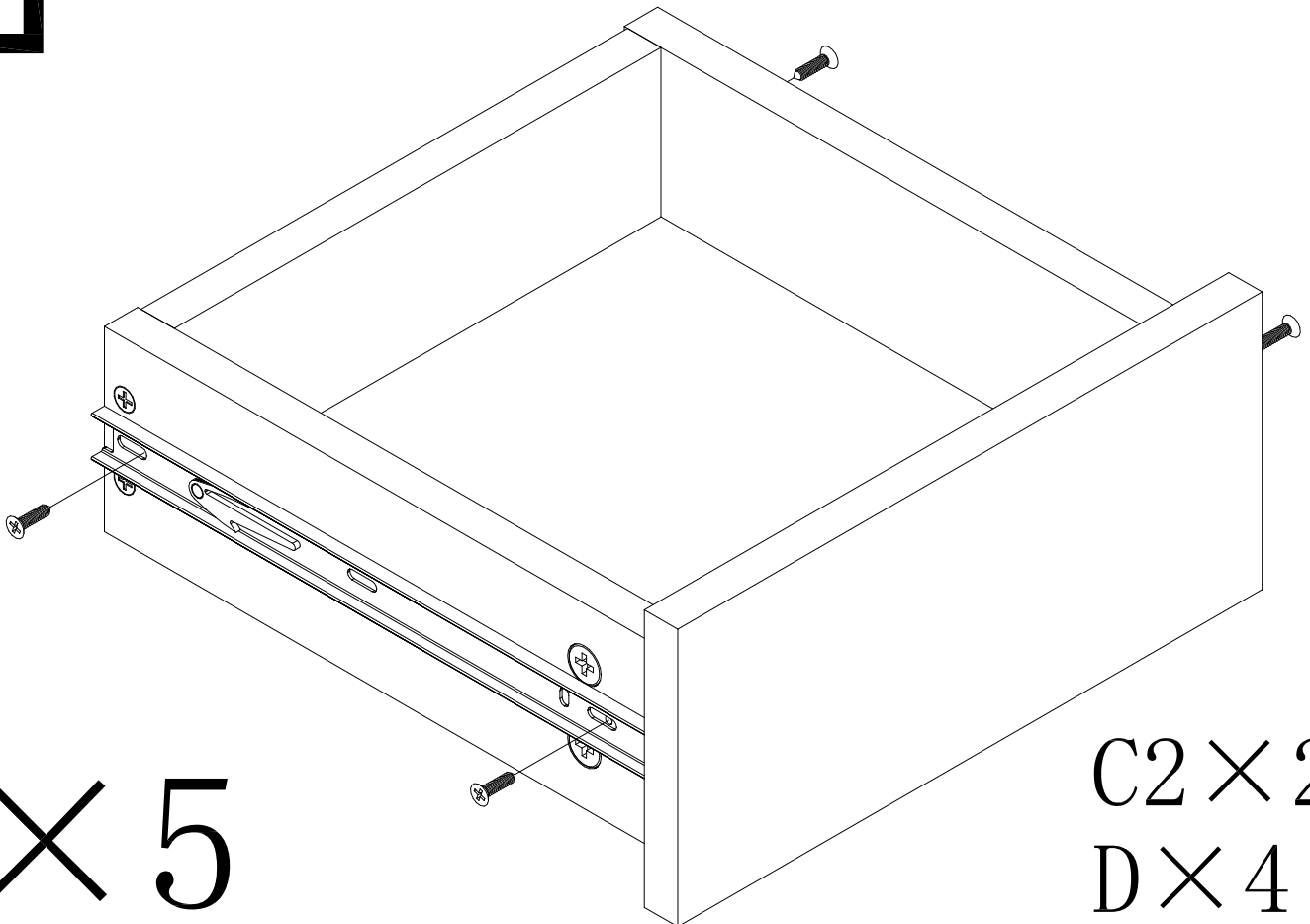
13



× 5

A × 4
F × 4

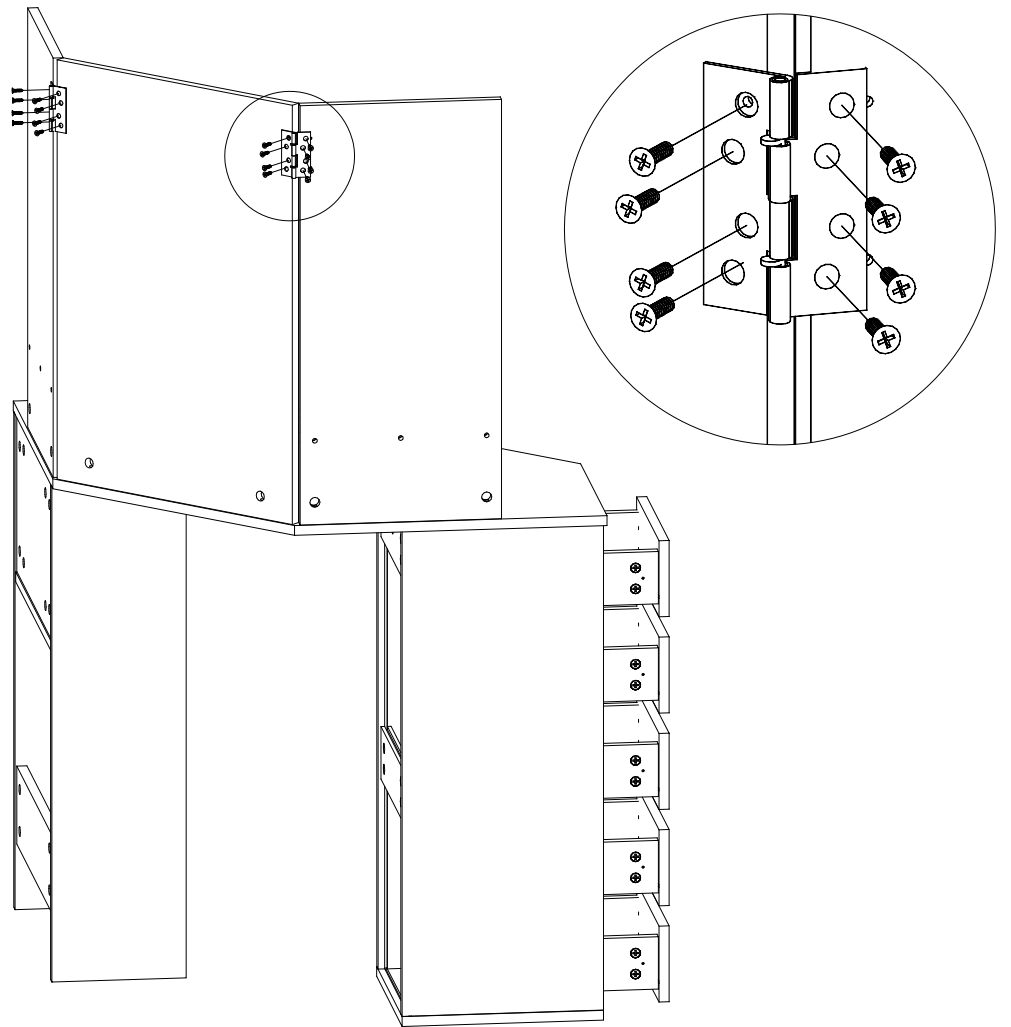
14



× 5

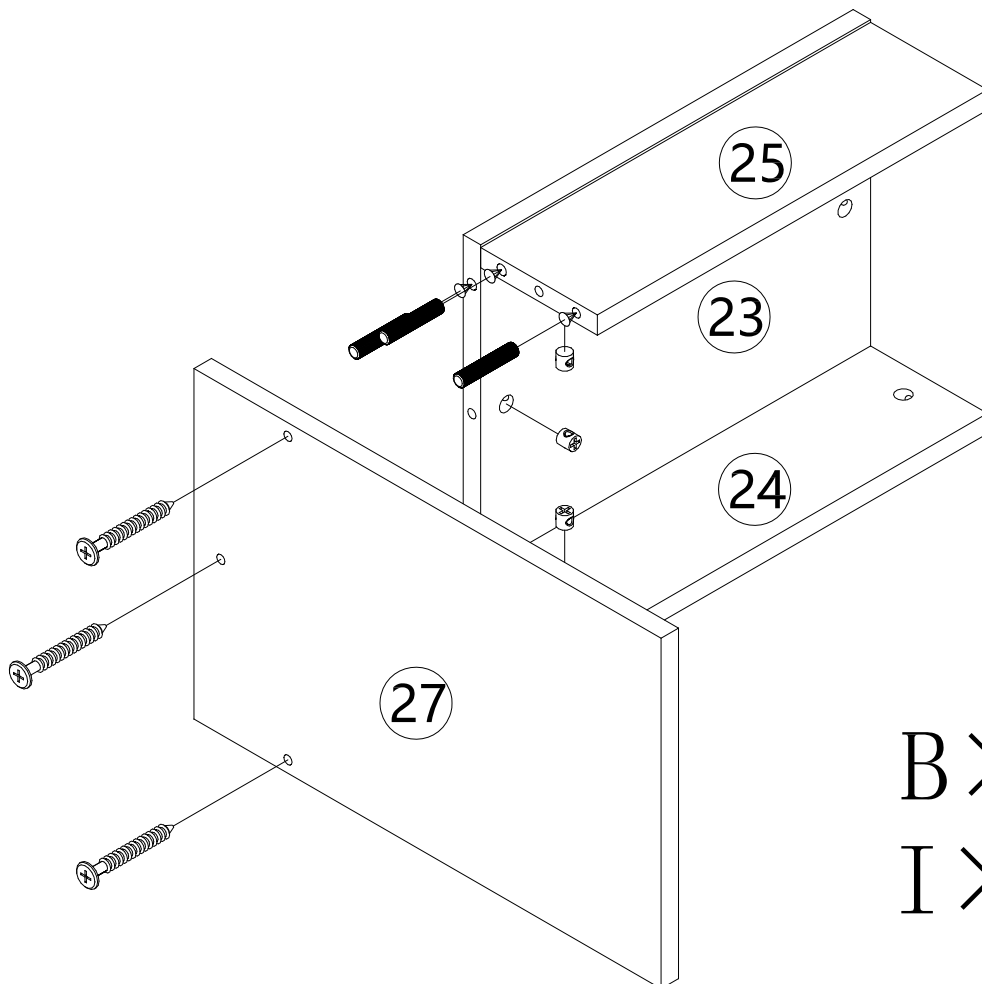
C2 × 2
D × 4

15



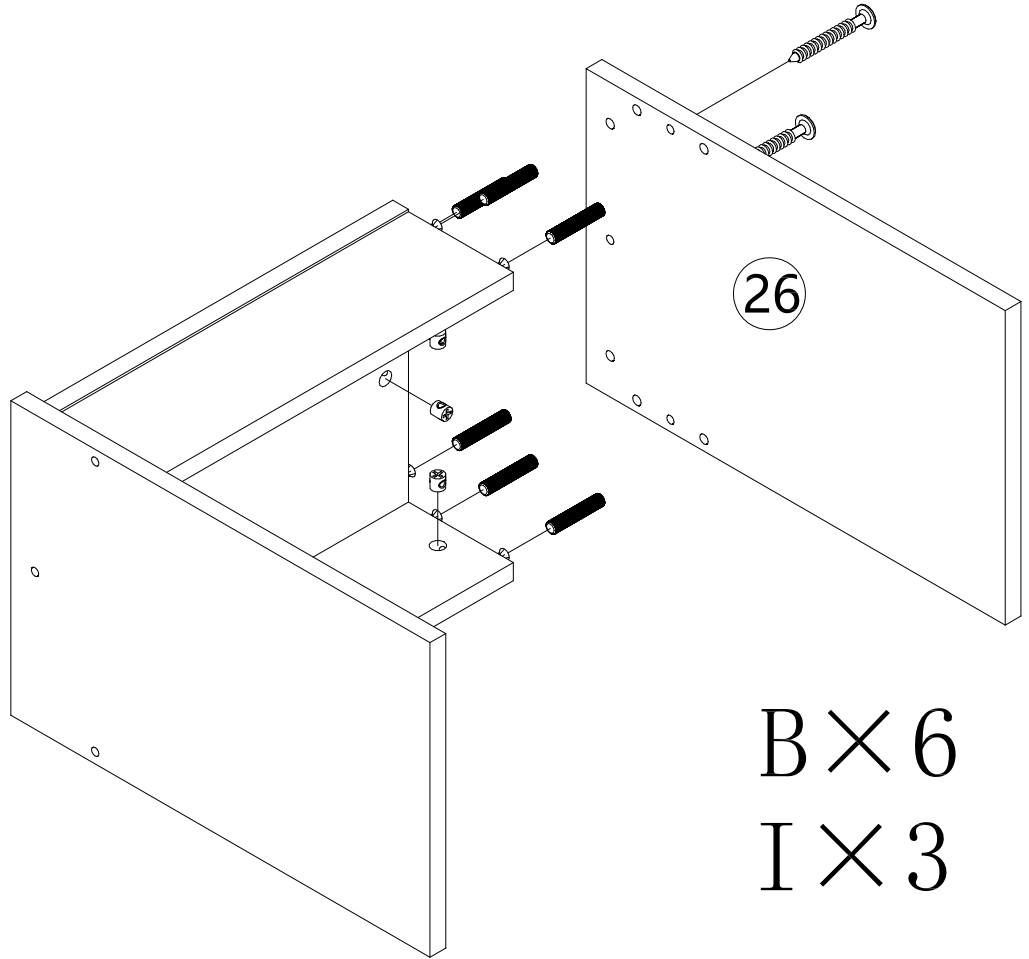
$D \times 16$
 $G \times 2$

16

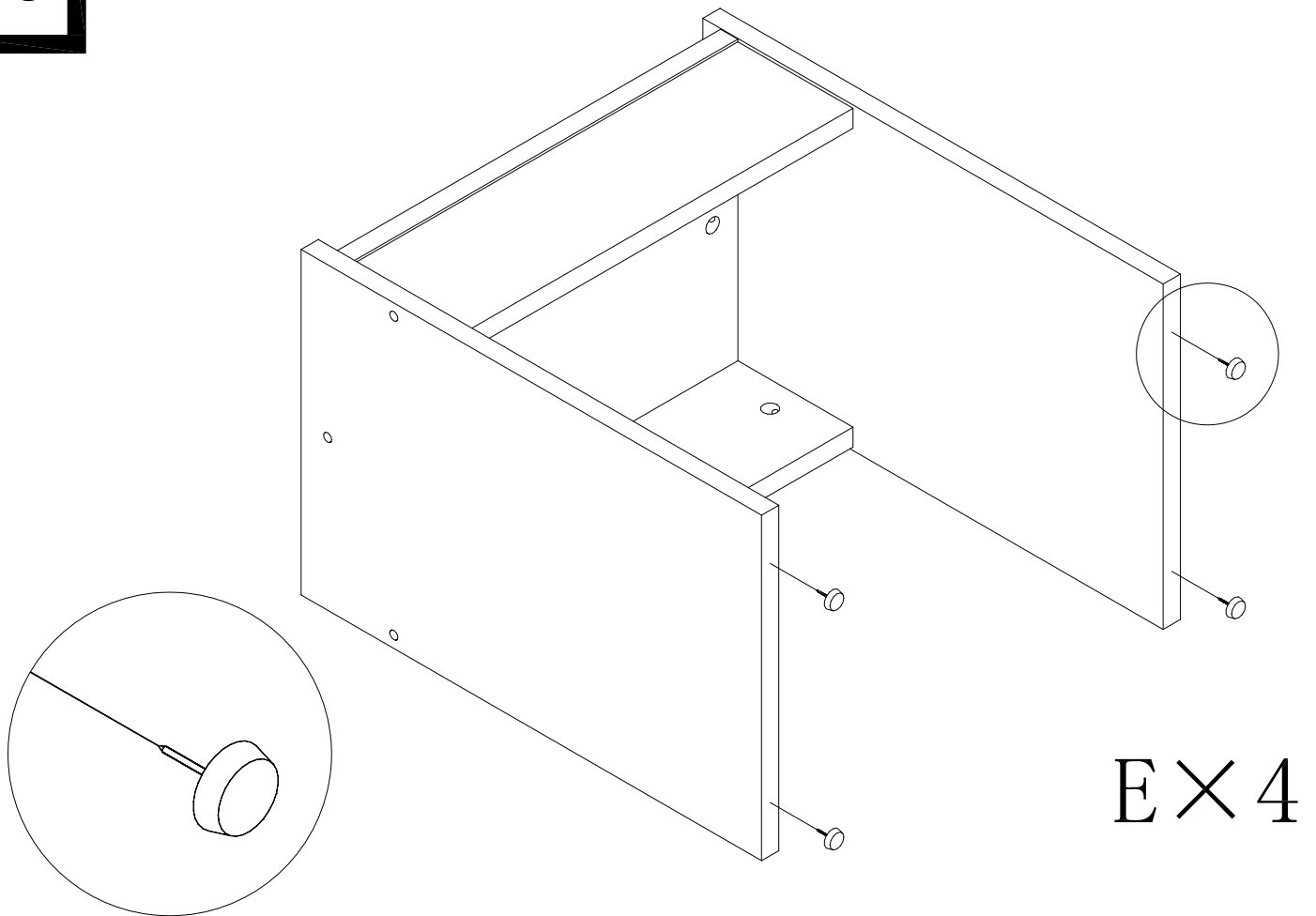


$B \times 6$
 $I \times 3$

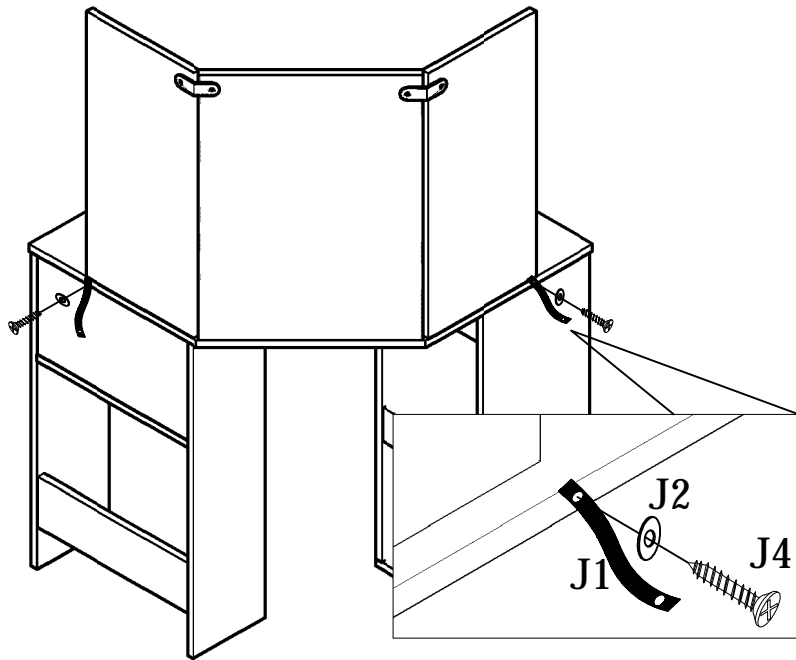
17



18

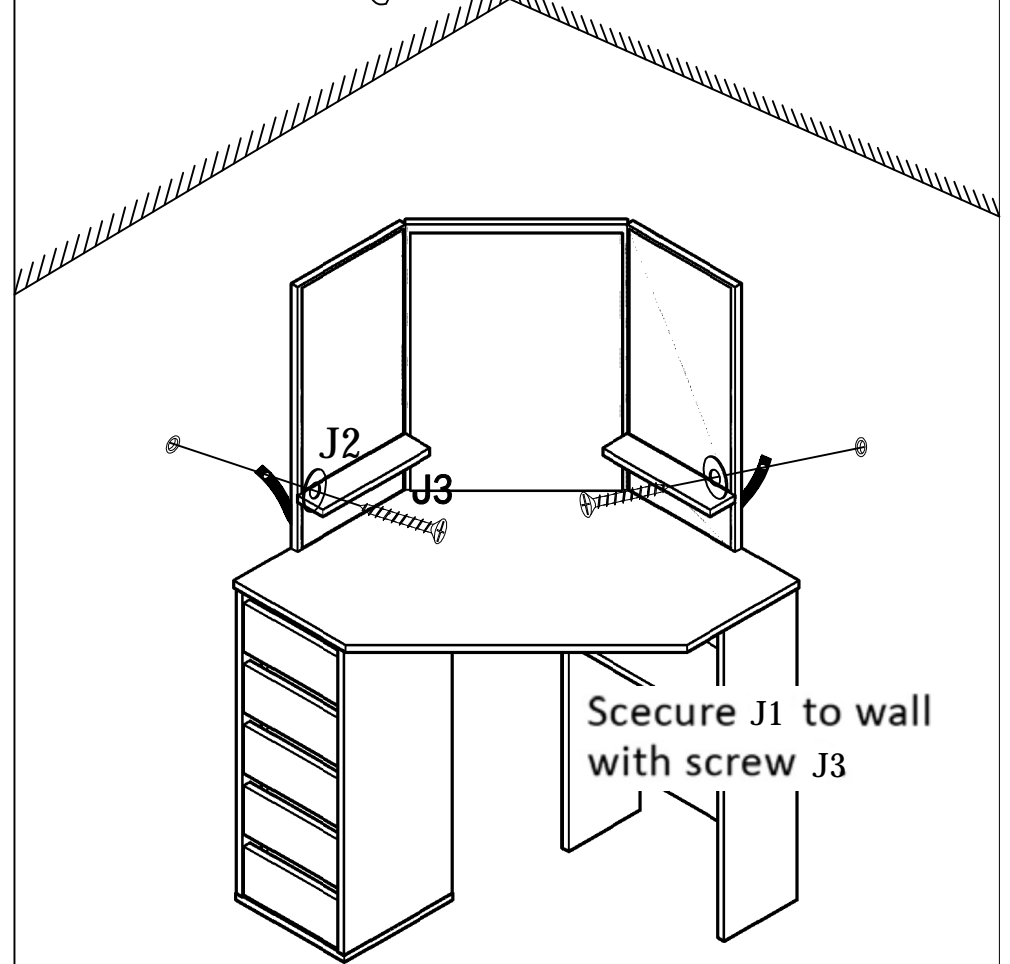
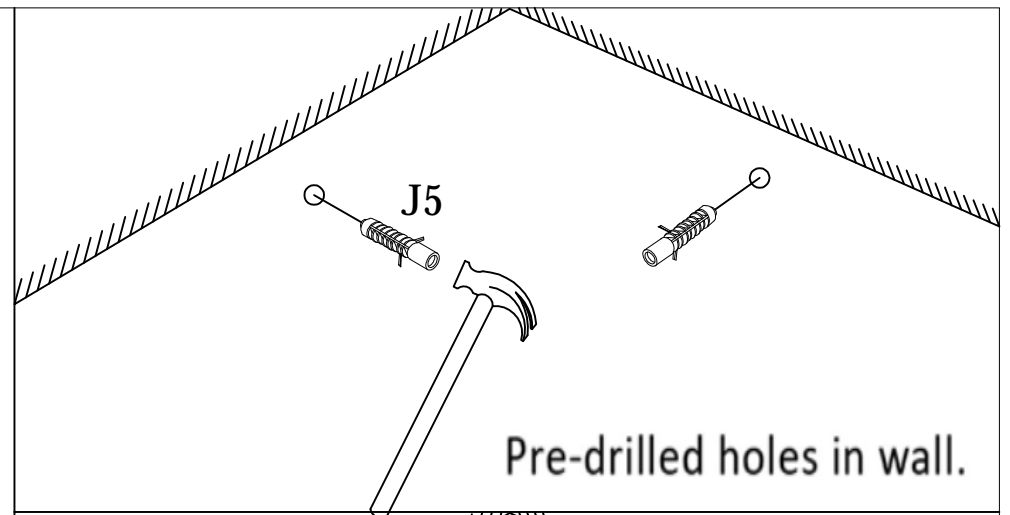


19

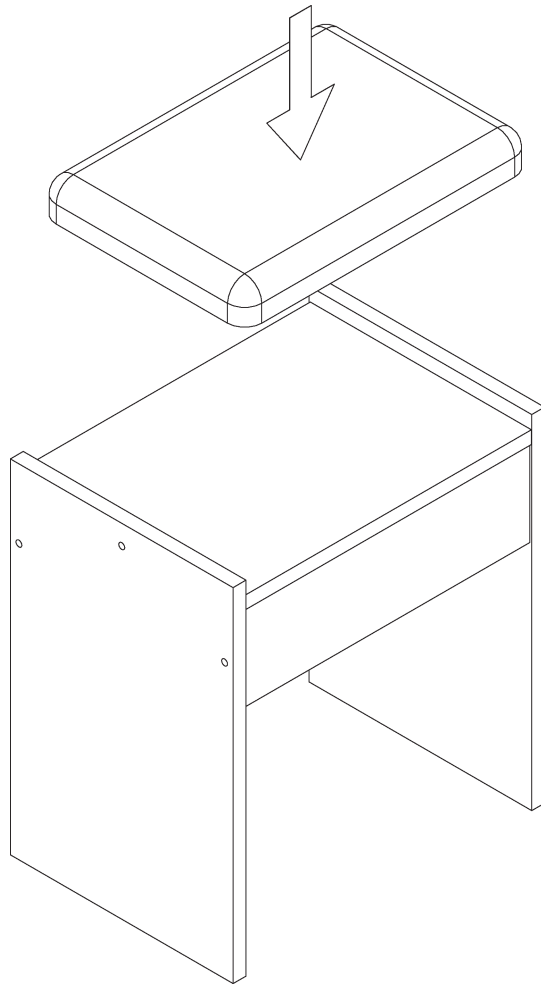


Attach J1 to back of cabinet
with screw J4 and washer J2

J*2



20



21

