

48 IN. FAUX STONE MANTEL FIREPLACE

ASSEMBLY INSTRUCTIONS

GENERAL BEST PRACTICES FOR ASSEMBLY:

Read all instructions before starting

Clear a flat covered space to begin

Always best to do it with a friend

Note that hardware required is provided for every step

Pay attention to orientation

Letter of the part corresponds to a sticker on the product

Number of the hardware corresponds to its letter in the package

Helpful hints provided along the way

WARNINGS:

CAUTION:Adult assembly required. Assembly will require at least 2 people.

Assemble on soft surfaces to prevent damage to the produce finish.

DO NOT use power tools.

To prevent serious injury or death, this product is equipped with a wall anchoring system. Before this product can be used, the wall anchoring system must be installed as directed in the assembly instructions.

WARNING - Death or serious injury may occur when children climb on audio and/or video equipment furniture. A remote control or toys placed on the furnishing may encourage a child to climb on the furnishing and as a result the furnishing may tip over on the child.

WARNING - Relocating audio and/or video equipment to furniture not specifically designed to support audio and /or video equipment may result in death or serious injury due to the furnishing collapsing or over turning onto a child.

MAINTENANCE:

Use a soft, clean cloth that will not scratch the surface when dusting, use of furniture polishes is not necessary.

Never use water to clean your furnitures as it may cause damages to the finish.

Do not scratch or chip the finish.

Do not place objects which are more than 80 degrees fahrenheit directly on the surface.

Check bolts/screws periodically and tighten if necessary.

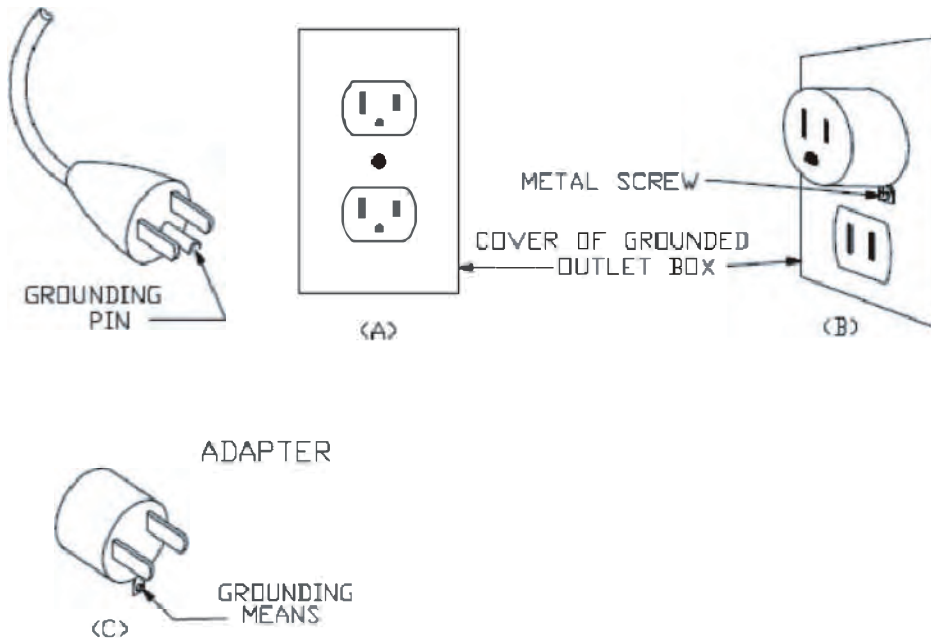
It is advised to keep furniture away from direct sunlight as it may damage the finish.

To prolong the life of product we recommend storage in a dry area when not in use or during austere weather conditions.

ASSEMBLY INSTRUCTION

GROUNDING INSTRUCTIONS

This heater is for use on 120 volts. The cord has a plug as shown. See illustration for grounding instruction. An adapter as shown at C is available for connecting three-blade grounding-type plugs to two-slot receptacles. The green grounding lug extending from the adapter must be connected to a permanent ground such as a properly grounded outlet box. The adapter should not be used if a three-slot grounded receptacle is available.



This equipment has been tested and found to comply with the limits for Class B digital devices, pursuant to part 15 of the FCC rules. These limits are designed to provide reasonable protection against harmful interference in a residential installation. The equipment generates, uses and can radiate radio frequency energy and, if not installed and used in accordance with the instructions, may cause harmful interference to radio or television reception, which can be determined by turning the equipment off and on. The user is encouraged to try and correct the interference by one or more of the following measures:

- . Reorient or relocate the receiving antenna
- . Increase the separation between the equipment and the receiver
- . Connect the equipment into an outlet on a circuit different from that to which the receiver is connected.
- . Consult the dealer or an experienced radio/TV technician for help.

This device complies with Part 15 of the FCC rules. Operation is subject to the following two conditions:

1. This device may not cause harmful interference, and
2. This device must accept any interference received, including interference that may cause undesired operation.

Modifications not approved by the party responsible for compliance could void user's authority to operate the equipment.

This Class B digital apparatus complies with Canadian ICES-003.

IMPORTANT SAFETY INSTRUCTIONS

WARNING: Any use of this appliance other than that recommended by the manufacturer in this owners manual may cause fire, burns, electric shock and/or other serious injuries or death.

When using electrical appliances, basic precautions should always be followed to reduce the risk of fire, electrical shock, and injury to persons including the following:

1. Read all instructions before installing or using the heater.
2. This appliance is not intended for use by persons (including children) with reduced physical, sensory or mental capabilities, or lack of experience and knowledge, unless they have been given supervision or instruction concerning use of the appliance by a person responsible for their safety.
3. Children should be supervised to ensure that they do not play with the appliance.
4. **WARNING:** In order to avoid overheating, do not cover the heater.
5. The heater must not be located immediately below a socket-outlet.
6. Do not use this heater in the immediate surroundings of a bath, a shower or a swimming pool.
7. This appliance is hot when in use. To avoid burns, **DO NOT** let bare skin touch hot surfaces. Keep combustible material, such as furniture, pillows, bedding, papers, clothes and curtains, at least 3 feet (0.9m) from the front of the heater and keep them away from the side and rear.
8. Extreme caution is necessary when any heater is used by or near children or individuals with disabilities and whenever the fireplace is left operating and unattended.
9. **ALWAYS** unplug this appliance when not in use.
10. **DO NOT** operate any heater with a damaged cord or plug or after the heater malfunctions. Disconnect power at service panel and have heater inspected by a reputable electrician before reusing. **DO NOT** operate any heater if it has been dropped or damaged in any manner. Discard heater, or return to authorized service facility for examination and/or repair.
11. **DO NOT** use outdoors.
12. This heater is not intended for use in bathrooms, laundry areas and similar indoor locations. **NEVER** place heater where it may fall into a bathtub or other water container.
13. **DO NOT** run cord under carpeting. **DO NOT** cover cord with throw rugs, runners, or similar covering. Do not route cord under furniture or appliances. Arrange cord away from traffic areas and where it will not be tripped over.
14. To disconnect this appliance, turn controls to the off position, then remove plug from outlet.
15. **ONLY** connect to properly grounded outlets.
16. **DO NOT** insert or allow foreign objects to enter any ventilation or exhaust opening as this may cause an electric shock or fire, or damage the appliance.
17. To prevent a possible fire, **DO NOT** block air intakes or exhaust in any manner. **DO NOT** use on soft surfaces, like a bed, where opening may become blocked.
18. Use this appliance only as described in the manual. Any other use is **NOT** recommended by the manufacturer and may cause fire, electric shock or injury to persons.
19. This appliance has hot and arcing or sparking parts inside. **DO NOT** use it in areas where gasoline, paint or flammable vapors or liquids are used or stored. This fireplace should not be used as a drying rack for clothing. Christmas stockings or decorations should not be hung in the area of it.
20. **ALWAYS** plug heaters directly into a wall outlet/receptacle. **NEVER** use with an extension cord or re-locatable power tap (outlet/power strip).
21. This appliance, when installed, must be electrically grounded in accordance with local codes, with the current CSA C22.1 Canadian Electrical Code or follow the National Electrical Code, ANSI/NFPA N0.70.

IMPORTANT SAFETY INSTRUCTIONS

CAUTION: DO NOT place any objects on top of insert and top air intake vents as this will cause unit to overheat and can cause a fire.

CAUTION: The heaters **MUST NOT** be located immediately below a socket-outlet.

CAUTION: There is a thermostat protective device provided inside of unit. If the inner temperature overheats or abnormal heating occurs, the thermostat protective device will cut off power supply to prevent damage or risk of fire.

CAUTION: Any repairs to this fireplace should be carried out by a qualified service person.

CAUTION: If the information in this manual is not followed exactly, an electric shock may result causing property damage, personal injury or loss of life.

CAUTION: Under no circumstances should this device be modified. Parts having to be removed for servicing must be replaced prior to operating this device again.

SAVE THESE INSTRUCTIONS

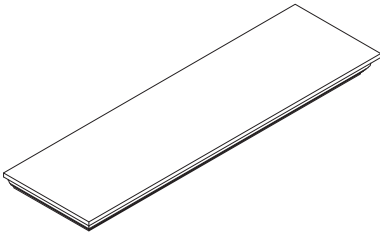
Electrical Connection

A 15-amp, 120-volt, 60 Hz circuit with a properly grounded outlet is required. Preferably, the fireplace will be on a dedicated circuit as other appliances on the same circuit may cause the circuit breaker to trip or the fuse to blow when the heater is in operation. The unit comes standard with 6-ft. three-wire cord, exiting from the rear of the fireplace. **DO NOT** exceed the current rating of the current tap. **ALWAYS** plug heaters directly into a wall outlet/receptacle. **NEVER** use with an extension cord or relocatable power tap (outlet/power strip).

ELECTRICAL SPECIFICATIONS

Voltage: 120 VAC, 60 Hz
Amps: 11.7 Amps
Watts: 1400 Watts

PARTS LIST



A

X1

Table panel



B

X1

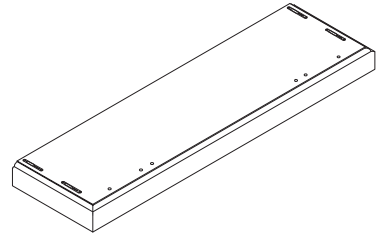
Left side panel



C

X1

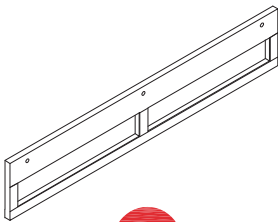
Right side panel



D

X1

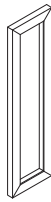
Bottom panel



E

X1

Upper front panel



F

X1

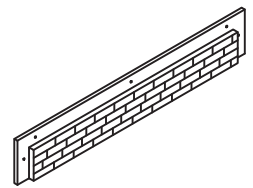
Front left panel



G

X1

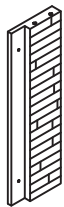
Front right panel



H

X1

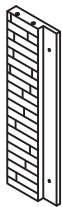
Front decorative panel



I

X1

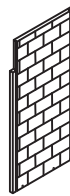
Left decorative panel



J

X1

Right decorative panel



K

X1

Left side panel of insert

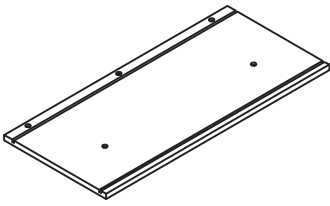


L

X1

Right side panel of insert

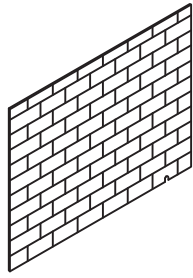
PARTS LIST



M

X1

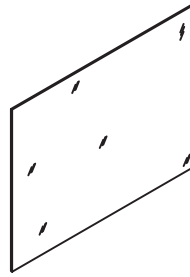
Bottom panel of insert



N

X1

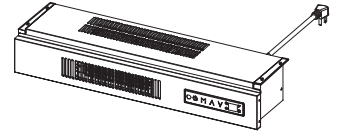
Back panel of insert



O

X1

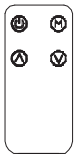
Glass



P

X1

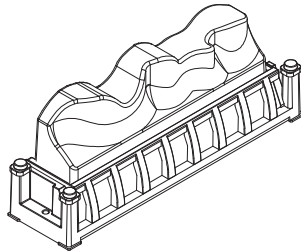
Heater



Q

X1

Remote



R

X1

Logset

HARDWARE LIST



1
X2
Cam bolt



2
X2
Cam lock



Ø 11*1-1/4"L

3
X7
Bolt



4
X7
Spring washer



5
X7
Flat washer



6
X4
Hook



7
X4
Anchor



8
X2
Plastic tie



Ø 8*1-1/2"L

9
X4
Screw



10
X1
Allen wrench



11
X1
Cam tool



Ø 8*1"L

12
X4
Screw



Ø 6*1"L

13
X12
Dowel



Ø 7*5/8"L

14
X8
Screw

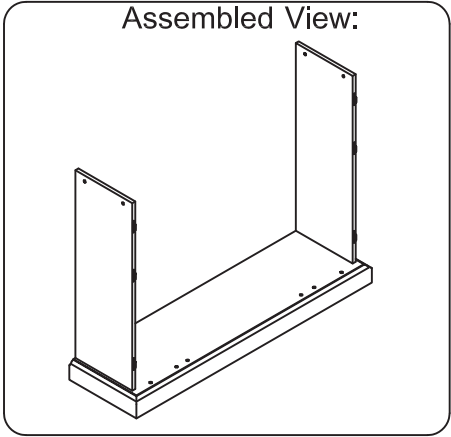
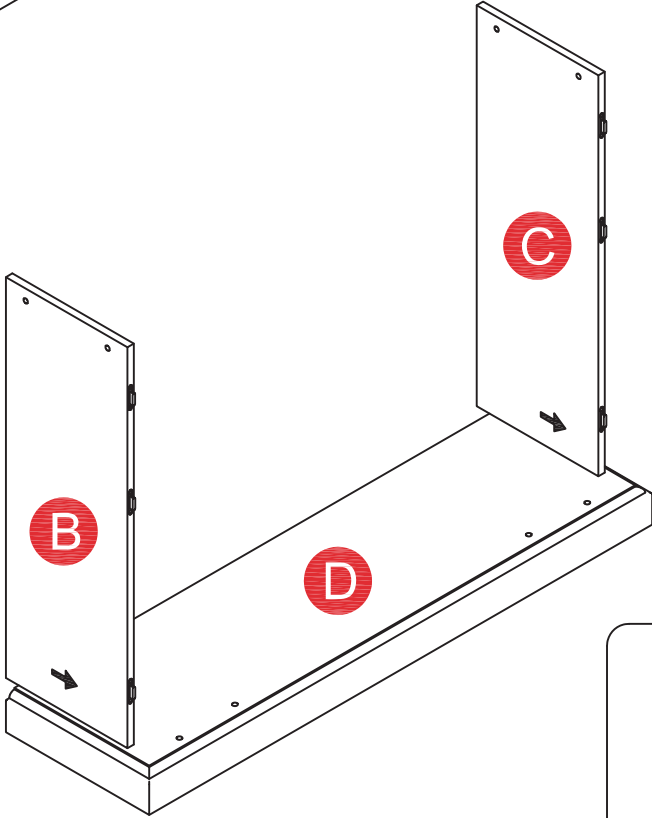
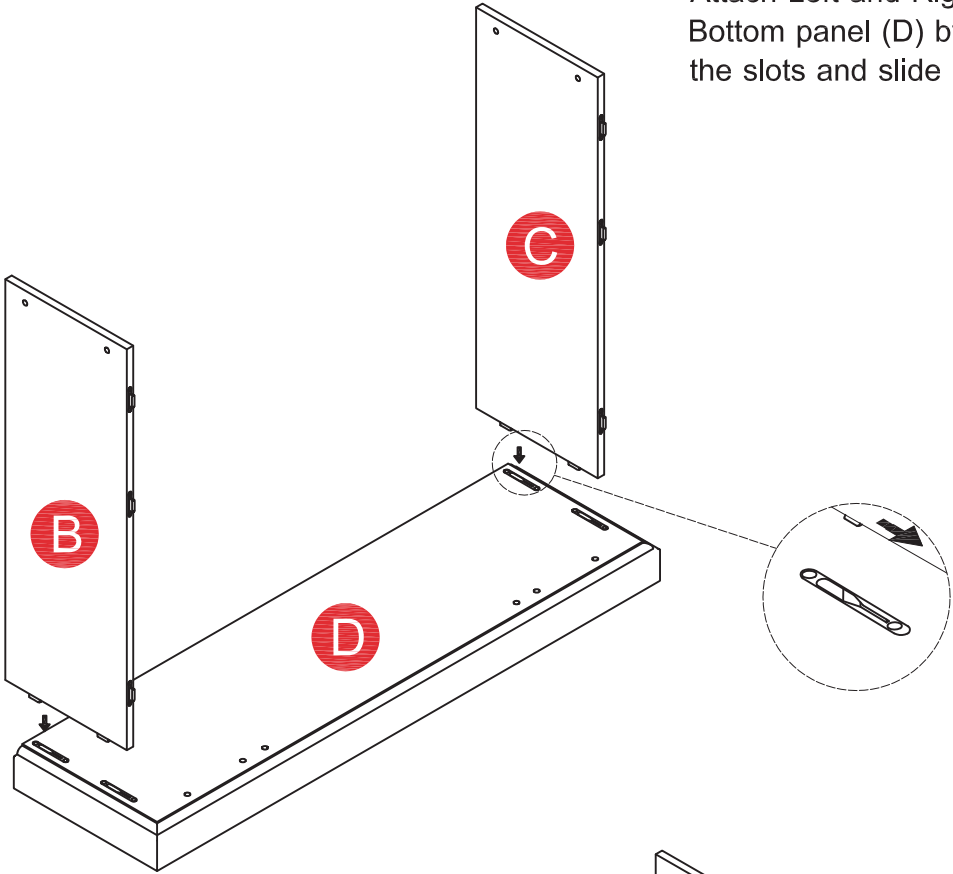


Ø 8*3/4"L

15
X14
Screw

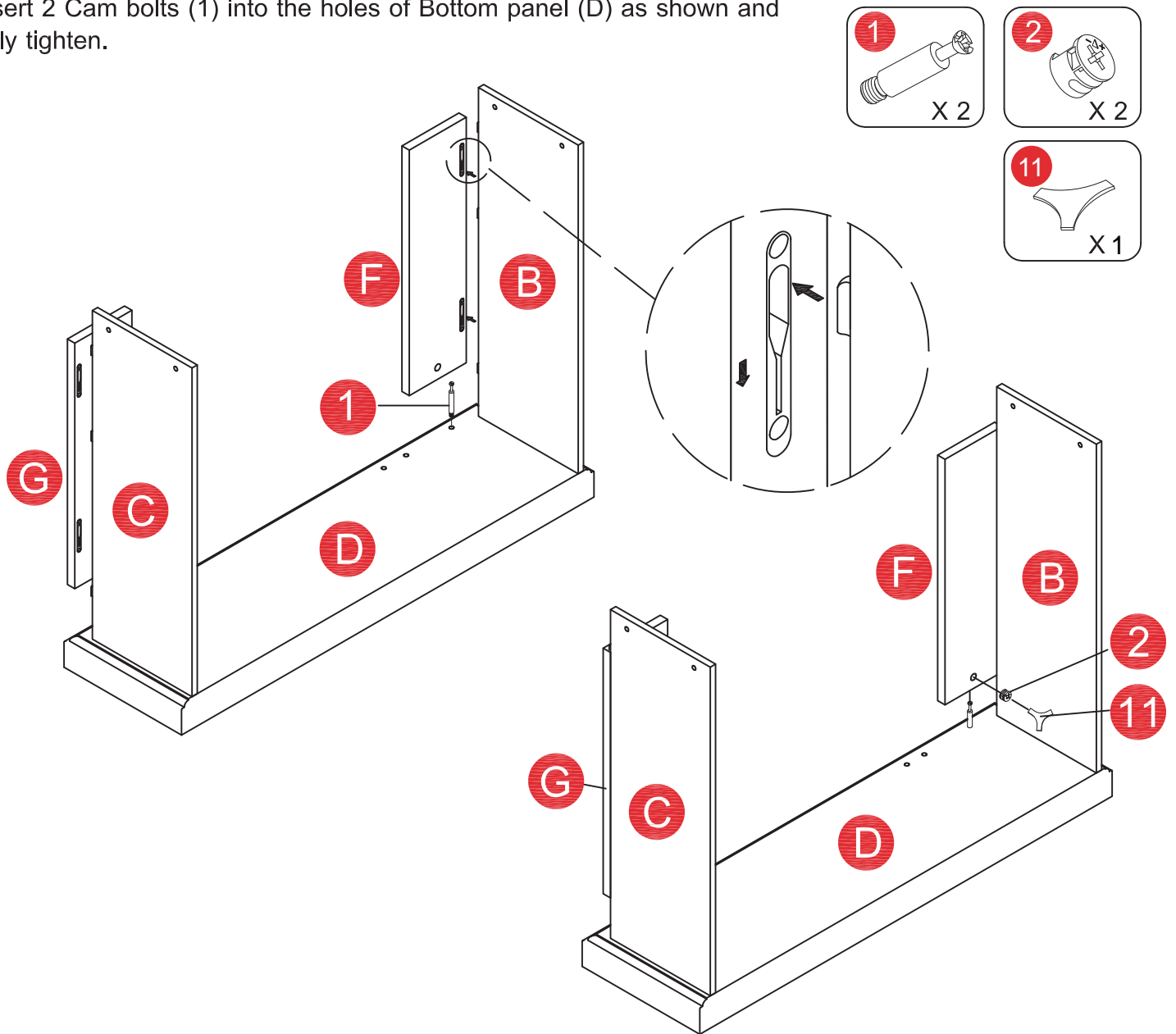
STEP 1

Attach Left and Right side panel (B/C) to Bottom panel (D) by insert the tabs into the slots and slide in place.



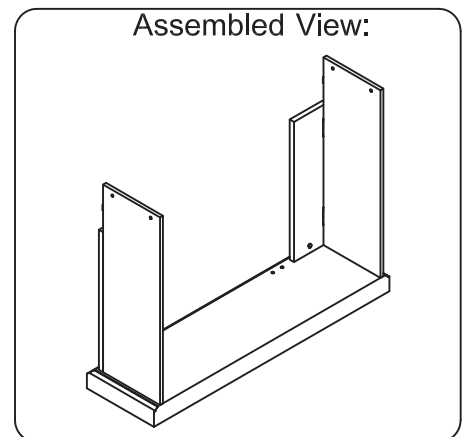
STEP 2

Insert 2 Cam bolts (1) into the holes of Bottom panel (D) as shown and fully tighten.



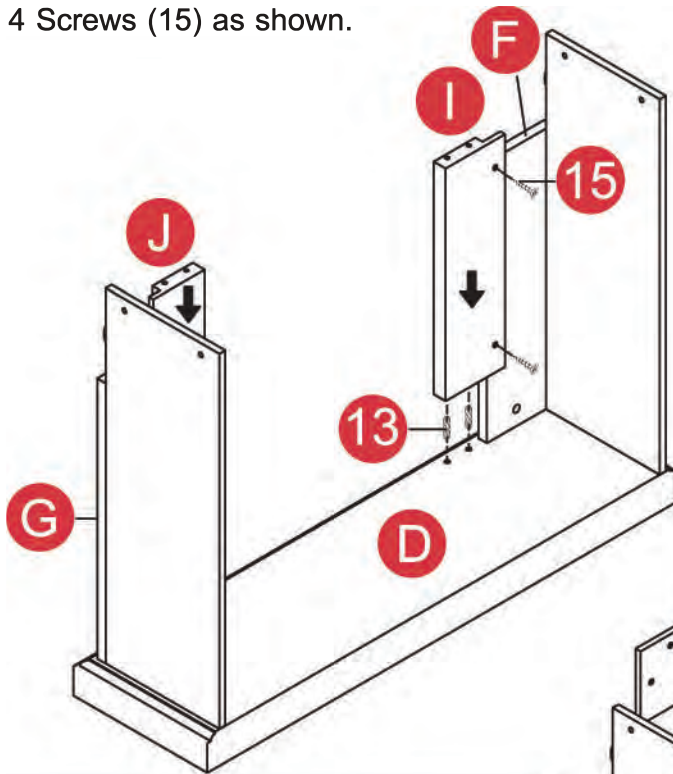
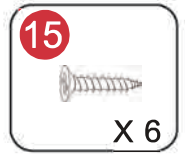
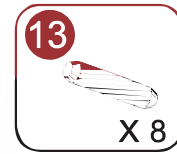
Attach Front left and right panel (F/G) to Left and Right side panel (B/C) by insert the tabs into the slots and slide in place.

Secure Front left and right panel (F/G) to Bottom panel (D) with 2 Cam lock (2) using Cam tool (11).



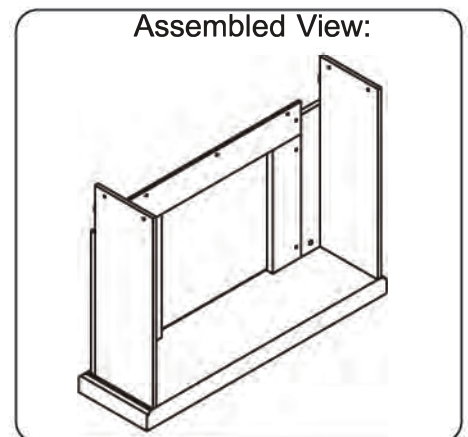
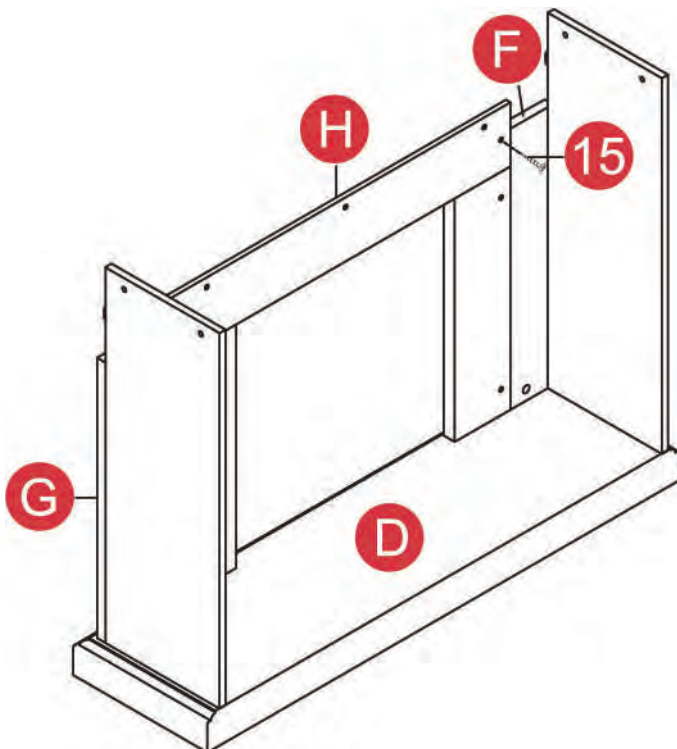
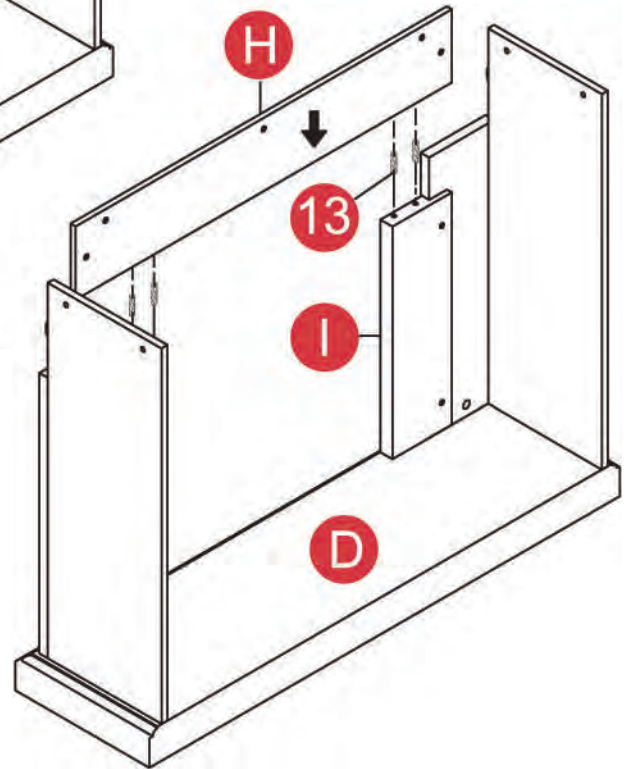
STEP 3

Insert 4 Dowels (13) into the holes of Bottom panel (D) as shown. Attach Left and Right decorative panel (I/J) to Front left and right panel (F/G) with 4 Screws (15) as shown.



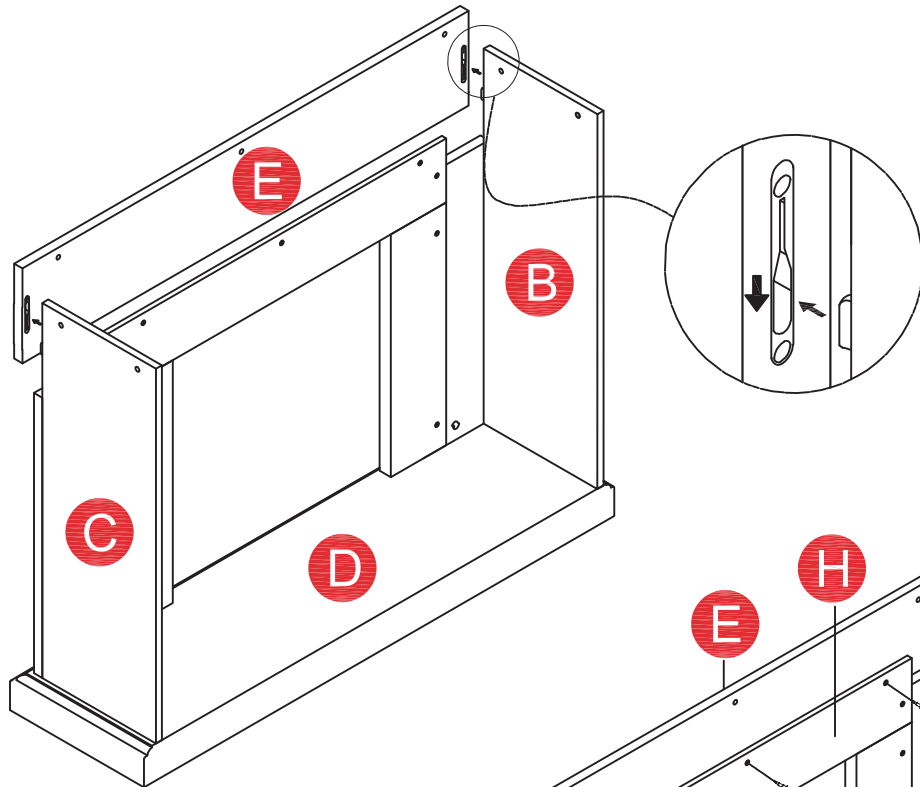
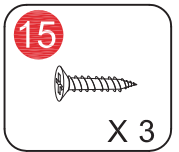
Insert 4 Dowels (13) into the holes of Left and Right decorative panel (I/J) as shown.

Attach Front decorative panel (H) to Front left and right panel (F/G) with 2 Screws (15) as shown.

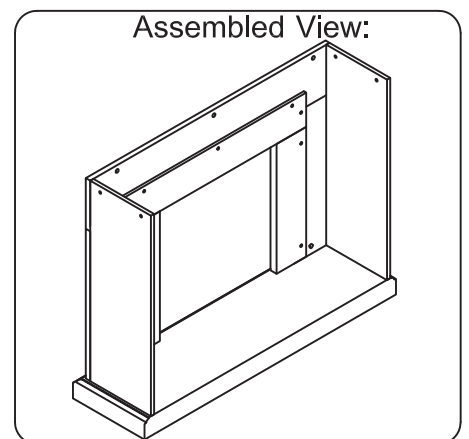
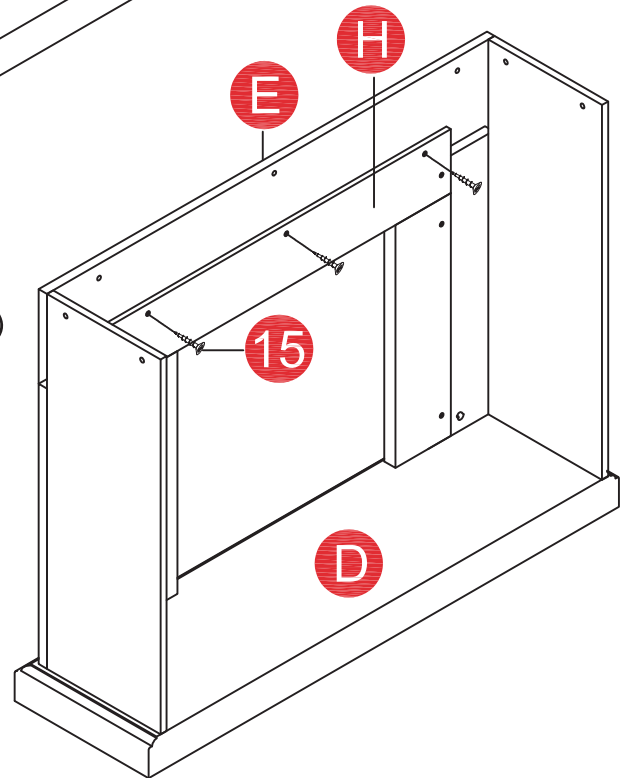


STEP 4

Attach Upper front panel (E) to Left and Right side panel (B/C) by insert the tabs into the slots and slide in place.

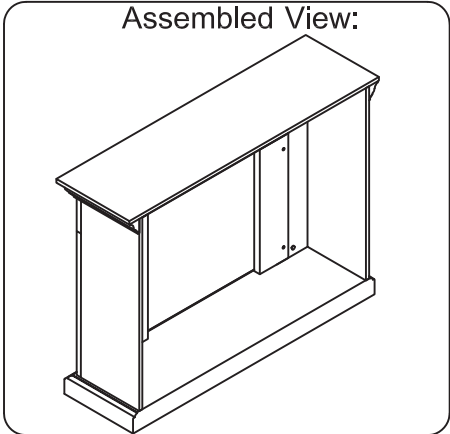
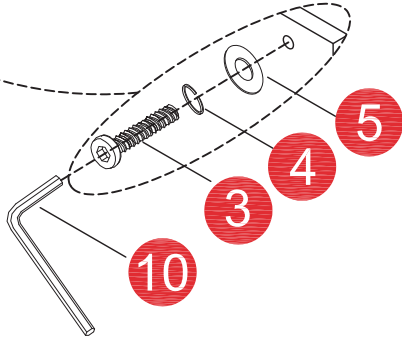
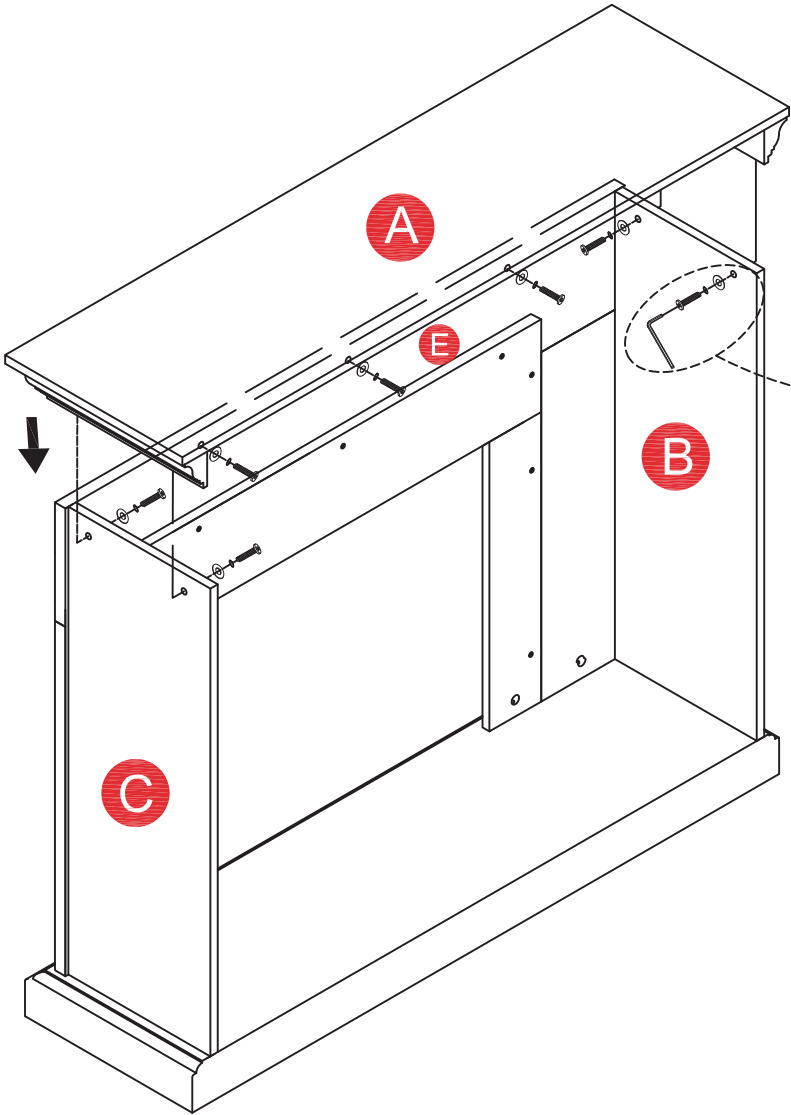
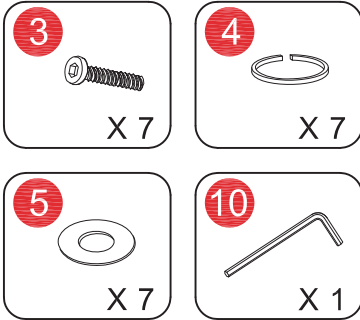


Attach Front decorative panel (H) to Upper front panel (E) with 3 Screws (15) as shown.



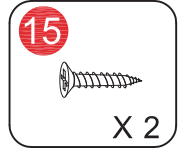
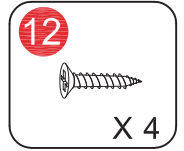
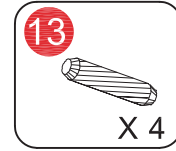
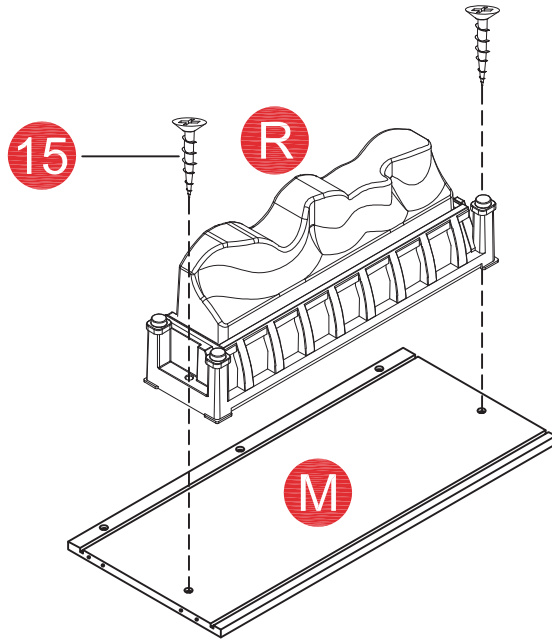
STEP 5

Attach Top panel (A) to Left and Right side panel (B/C) and Upper front panel (E) with 7 Bolts (3), 7 Spring washers (4) and 7 Flat washers (5) and fully tighten using Allen wrench (10) as shown.

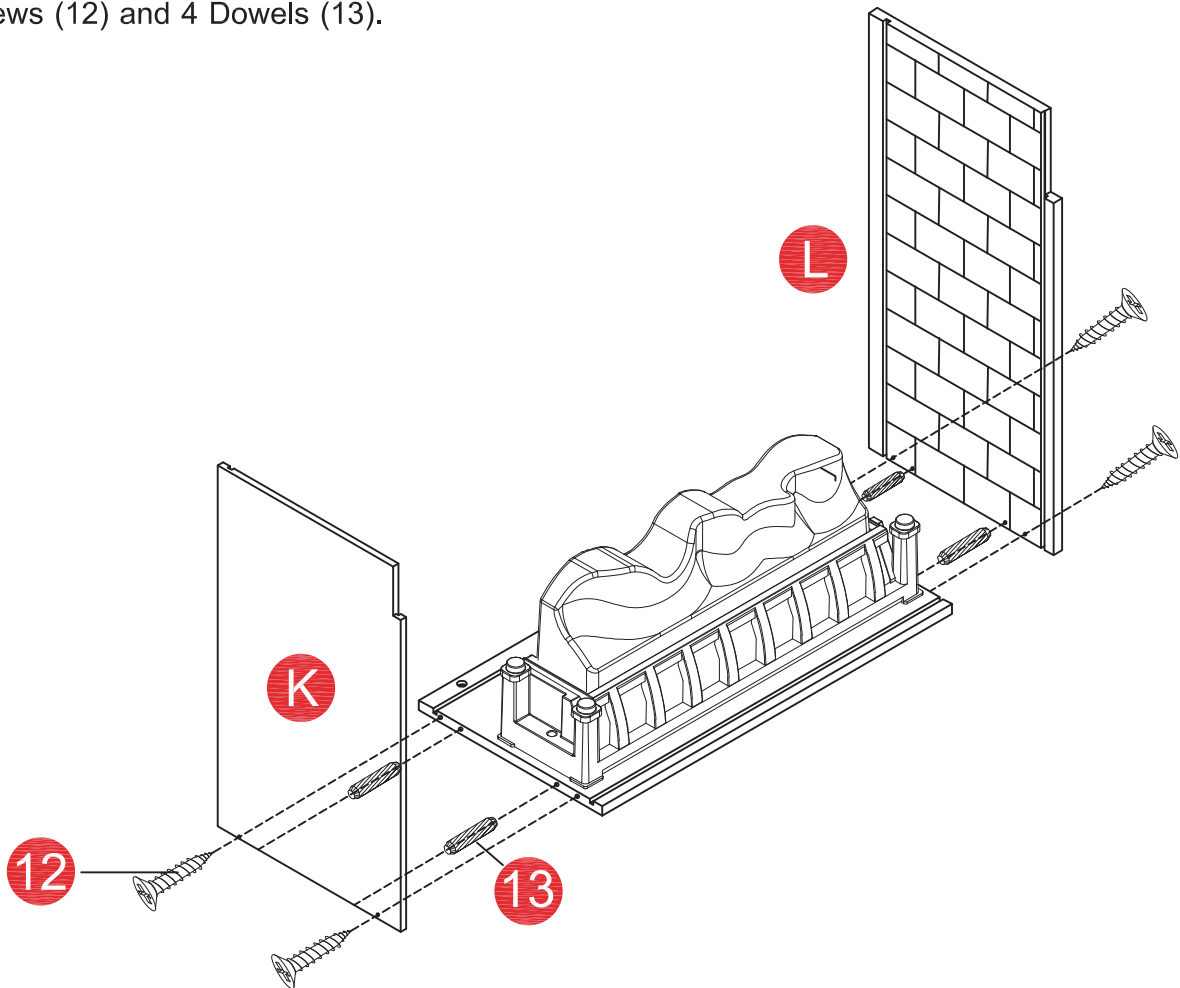


STEP 6

Screw the fireplace and Logset (R) onto the Bottom panel of insert (M) using 2 Screws (15).

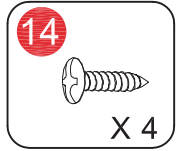
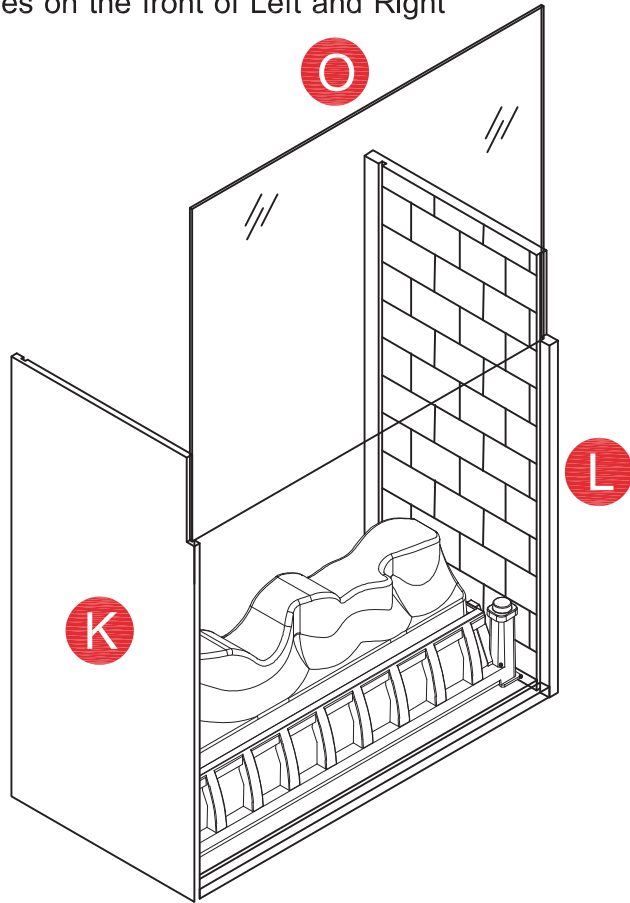


Attach Left and Right side panel of insert (K/L) to Bottom panel of insert (M) with 4 Screws (12) and 4 Dowels (13).

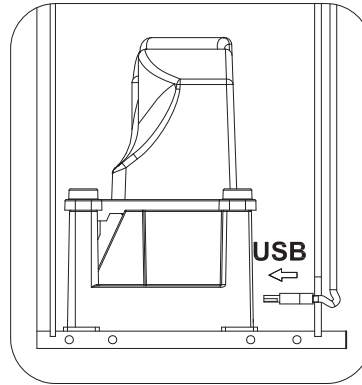
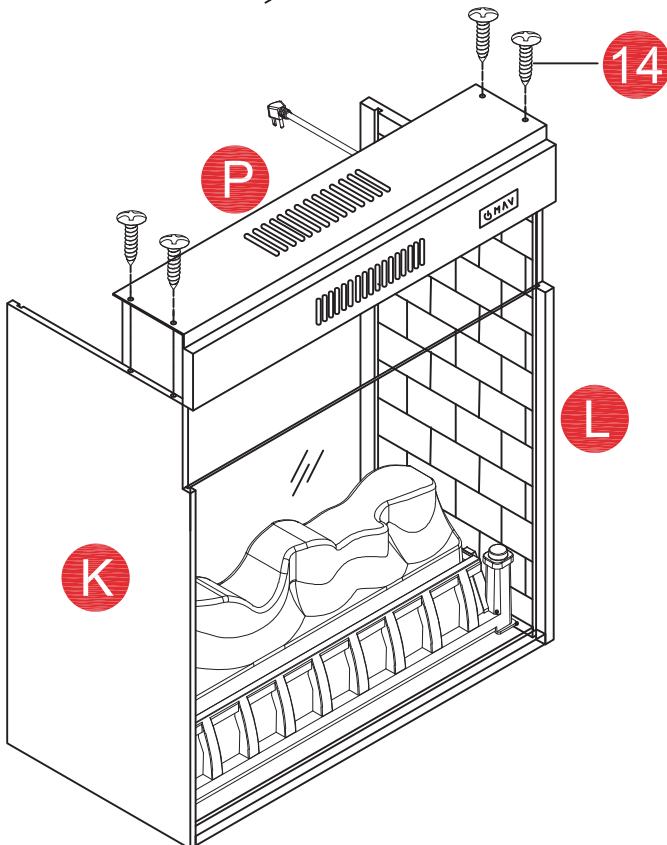


STEP 7

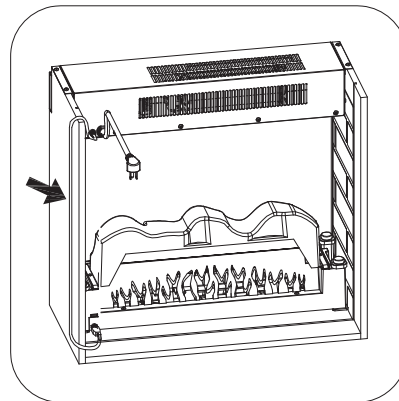
Slide in the Glass (O) into the grooves on the front of Left and Right side panel of insert (K/L).



Open the side panel (K/L) sideways a bit. Insert the Heater (P) on side panels with 4 Screws (14). Plug the USB to flame assemble.



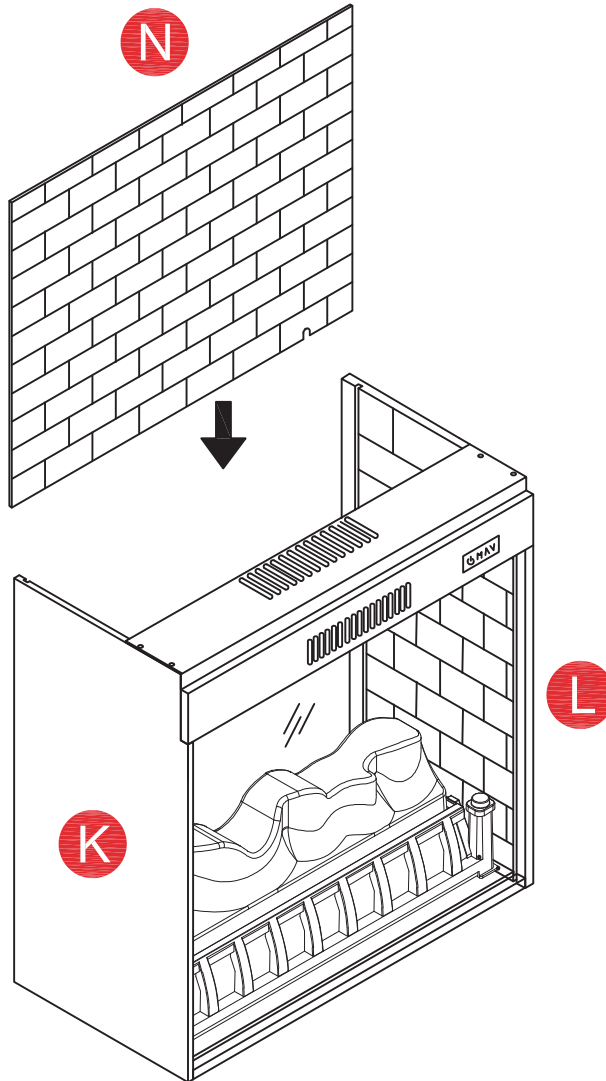
Attach Heater USB to logset as shown.



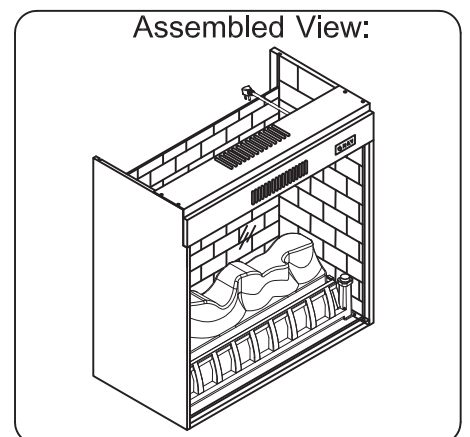
Make sure Power cable and USB cable put at side before proceed to next step.

STEP 8

Slide in Back panel of insert (N) into the grooves of the side panel (K/L).

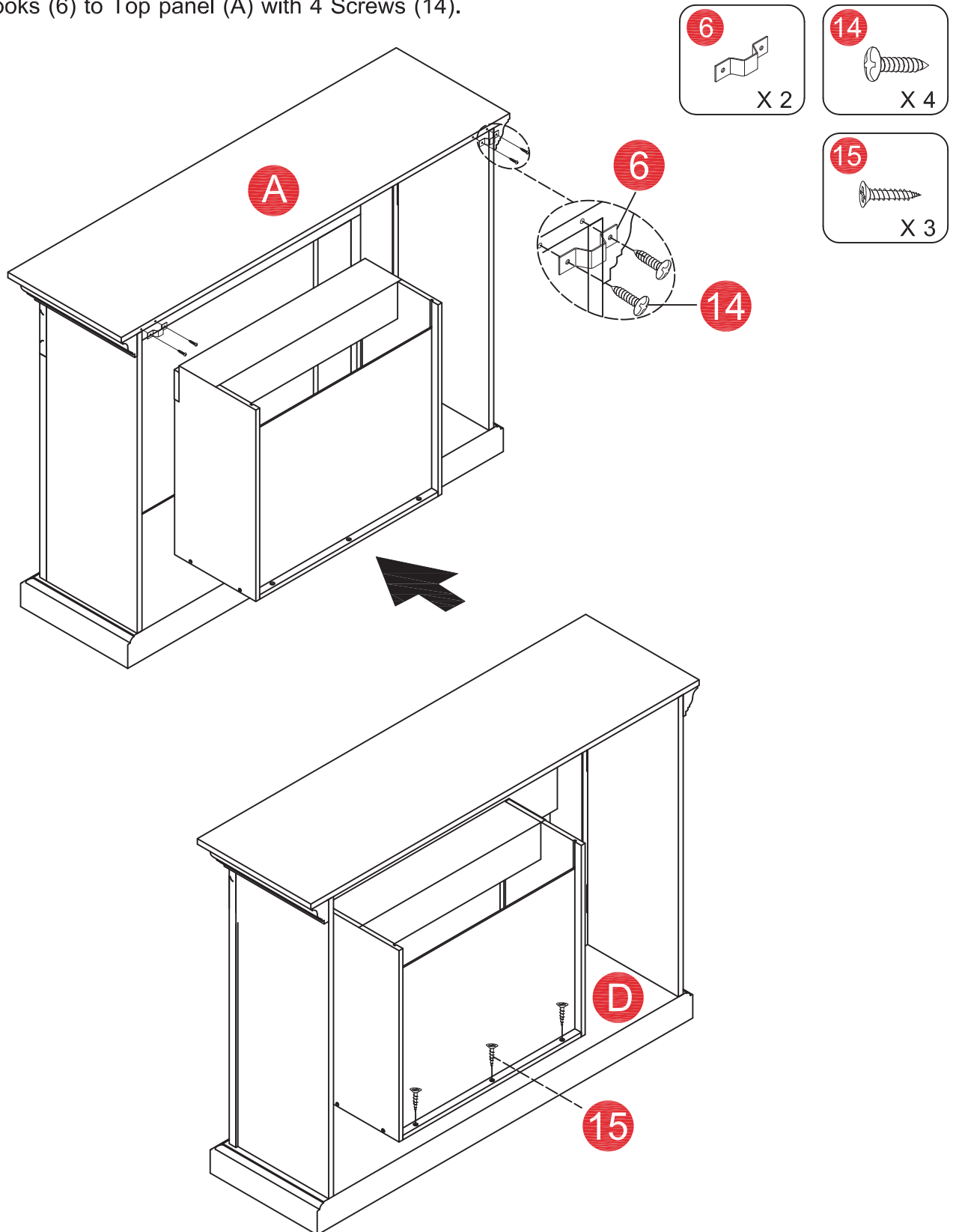


Note: Please make sure all the cables pass through the back panel, not placed inside of the electric fireplace.



STEP 9

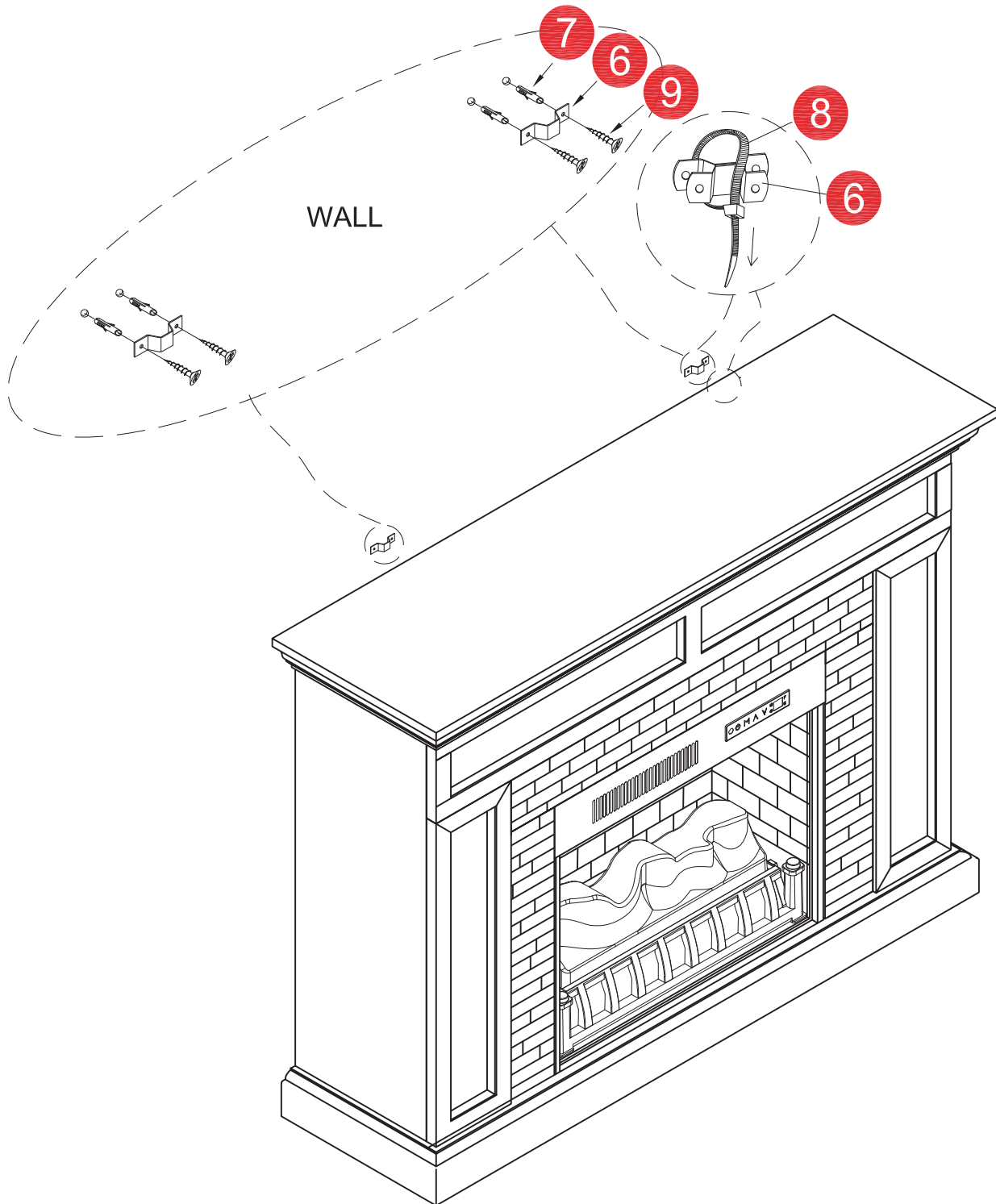
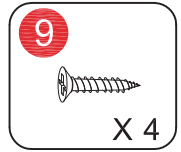
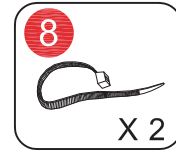
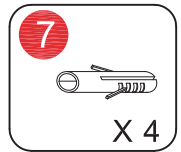
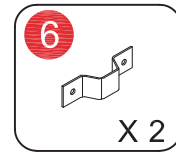
Attach 2 Hooks (6) to Top panel (A) with 4 Screws (14).



Place the assembled insert into mantel from the back and center in the opening. Secure insert to Bottom panel (D) with 3 Screws (15).

STEP 10

With assistance, carefully place the assembled mantle in the desired position against the wall. Mark where Hook (6) on the back of the fireplace meets the wall. Remove the assembled fireplace. Use one of the remaining Hooks (6) as a template and place it just below the marked locations on the wall marking the holes for the screws on the wall. Install Anchor (7) in the marked locations. Attach Hook (6) to Anchor (7) with Flat Head Screw (9). Return the assembled fireplace to the desired location. Use Plastic Tie (8) to attach the Hooks on the wall to the Hooks on the fireplace. NOTE: Please insure Fireplace insert is plugged in and working correctly before securing the two hooks together with the Plastic ties (8).



INSTALLATION

Follow the mantel installation in the manual to install the insert into the mantel.

CAUTION- High temperature, risk of fire, keep electrical cords, drapery, furnishings, and other combustibles at least 3 feet (0.9 m) from the front of the heater and away from the side and rear.

To reduce the risk of fire, do not store or use gasoline or other flammable vapors and liquids in the vicinity of the heater.

OPERATING INSTRUCTIONS

Note: Heater must be properly installed before it is used.



Power Button

- Pressing the power button on will turn ON or OFF the unit.
- When the unit is in ON mode, the power icon indicator light will be shown green.
- When the unit is in OFF mode, the power icon indicator light will be shown red. When power OFF, unit will be stopped, if heater is working before power OFF the unit, fan will have 20 seconds delay to ensure heat will not be trapped inside the unit.

Note: Each time the unit is plugged in, fan and heater will turn on for 5 seconds for internal check program.

Note: The unit has a memory function with last settings for heating level and flame brightness effect, unless the main power to the unit has been interrupted.



Mode Button

- Press the mode button to cycle through the different functions. Each time the mode button is pressed, the mode will enter the next function - Temperature, Timer, Flame Brightness or Flame Speed.

Temperature Setting

- The temperature mode controls the heater's thermostat setting.
- Press UP Arrow Button or Down Arrow Button to scroll through the pre-set temperature range from 59°F (15°C) to 86°F (30°C), ON&OF (OFF).

- Hold the mode button for 3s, this allows the temperature unit changing from °C to °F or °F to °C. The unit default is °F.

Note: This function is only available if using the control panel.

- When the ambient temperature is higher than the set temperature, heater will turn off automatically.

OPERATING INSTRUCTIONS

Timer Setting

- The timer setting should be used to set the countdown for the unit's main power.
- Press Up Arrow Button or Down Arrow Button to adjust the timer setting from 0 hour(0.0) to 9 hours with 0.5 hour interval.

Log Brightness Setting

- The log brightness mode should be used to set the log brightness.
- Use Up arrow button or Down arrow button to scroll through the log brightness settings: L0 (lowest), L1, L2, L3, L4, L5 (brightest).

Flame Brightness Setting

- The flame brightness mode should be used to set the flame brightness.
- Use Up arrow button or Down arrow button to scroll through the flame brightness settings: F0 (Flame OFF, only lowest brightest on ember bed), F1, F2, F3, F4, F5 (brightest).

Flame Color Setting

- The flame brightness mode should be used to set the flame brightness.
- Use Up arrow button or Down arrow button to scroll through the flame brightness settings: C1, C2, C3, C4

Setting	Color
C1	Yellow
C2	Red

Setting	Color
C3	Yellow + Red
C4	Auto Change (Fade In / Fade Out)



UP Arrow Button

- Use up arrow button to increase the setting of the selected function.



Down Arrow Button

- Use down arrow button to decrease the setting of the selected function.

Heater Lock

Activate Heater Lock

When the unit is ON, hold the POWER button for 10 seconds to activate the Heater Lock function. E3 will be displayed and a beep sounds 3 times to indicate the Heater Lock function has activated, only heater function key is locked. When pressing Heater button E3 will be displayed that indicate the Heater Lock function activate.

Inactivate Heater Lock

To inactivate the Heater Lock function, hold the POWER button for 10 seconds.

Note: Heater lock function is only available if using the control panel.

CARE AND MAINTENANCE

- ◆ Make sure the unit is turned OFF, unplugged and the heating elements of heater are cool whenever you are cleaning the heater.
- ◆ The heater shall be cleaned monthly, clean the metal trim using a water-dampened soft, clean cloth. DO NOT use brass polish or household cleaners as these products will damage the metal trim.
- ◆ The motors used on the fan and the flame generator assembly are pre-lubricated for extended bearing life and require no further lubrication. However, periodic cleaning/vacuuming of the fan/heater and air intake/output vents is recommended.
- ◆ Any other servicing should be performed by an authorized service representative.

WARNING: Make sure the power is turned off before proceeding. Any electrical repairs or rewiring of this unit should be carried out by a licensed electrician in accordance with national and local codes.

WARNING: If repairing or replacing an electrical component or wiring, the original wire routing, color coding and securing locations must be followed.

WARNING: Electrical outlet wiring must comply with local building codes and other applicable regulations to reduce the risk of fire, electrical shock and injury to persons.

WARNING: Do not use this fireplace if any part of it has been under water. Immediately call a qualified service technician to inspect the fireplace and replace any part of the electrical system.

WARNING: Disconnect power before attempting any maintenance or cleaning to reduce the risk of fire, electrical shock or personal injury.

WARNING: During any service of this appliance, the power to the unit must be turned off. First turn the main power switch to the "OFF" position. Then remove the electrical plug from the wall outlet.

WARNING: When the heater is not in use, the heater should be stored in a dry location, away from possible damage. The power cord should be stored properly to avoid contact with hot or sharp objects.



WARNING

INGESTION HAZARD: This product contains a button cell or coin battery. **DEATH** or serious injury can occur if ingested. A swallowed button cell or coin battery can cause **Internal Chemical Burns** in as little as **2 hours**. **KEEP** new and used batteries **OUT OF REACH OF CHILDREN**. **Seek immediate medical attention** if a battery is suspected to be swallowed or inserted inside any part of body.



CARE AND MAINTENANCE

Replacing the Remote-Control Battery

When the remote control stops operating or its range seems reduced, it is time to replace the battery.

1. The battery compartment is located on the back of the remote control.
2. Press the small tab inward as you slide the battery door open and remove the old battery.
3. Insert a new CR2025(3V) lithium battery(not included), ensure the batteries are installed correctly according to polarity (+ and -).
4. Re-insert the battery door.



WARNING: Chemical Burn Hazard. Keep Batteries away from Children

This product contains a lithium button/coin cell battery. If a new or used lithium button/coin cell battery is swallowed or enters the body, it can cause severe internal burns and can lead to death in as little as 2 hours. Always completely secure the battery compartment. If the battery compartment does not close securely, stop using the product, remove the batteries, and keep it away from children. If you think batteries might have been swallowed or placed inside any part of the body, seek immediate medical attention.

Note: Non-rechargeable battery is not to be recharged. Exhausted battery is to be removed from the product. Harmful if swallowed. Do not force discharge, recharge, disassemble, heat above (60°C) or incinerate. Doing so may result in injury due to venting, leakage or explosion resulting in chemical burns.

Even used batteries may cause severe injury or death. Call a local poison control center for treatment information. Remove and immediately recycle or dispose of battery from equipment not used for an extended period of time according to local regulations. Do NOT dispose of batteries in household trash or incinerate.

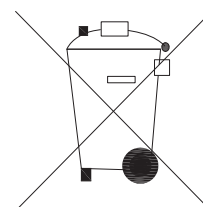
Do not mix old and new batteries, different brands or types of batteries, such as alkaline, carbon-zinc, or rechargeable batteries.

Disposal of Used Battery

Remove and immediately recycle or dispose of used batteries according to local regulations and keep away from children. Do NOT dispose of batteries in household trash or incinerate.

A battery may contain hazardous substances that could be endangering to environment and human health.

- ◆ This symbol marked on the battery and/or packaging indicates that used battery shall not be treated as municipal waste. Instead it shall be left at the appropriate collection point for recycling.
- ◆ By ensuring the used battery is disposed of correctly, you will help prevent potential negative consequences for the environment and human health. The recycling of materials will help to conserve natural resources.



CARE AND MAINTENANCE

TROUBLE SHOOTING GUIDE

PROBLEM	POSSIBLE CAUSE	SOLUTION
1. No power, logs do not glow.	1. The unit does not have power.	1. Check that unit is plugged into a standard 120 volt outlet. Then make sure power is set at "ON" position.
2. E1 displayed on control panel.	2. The overheat protection device has been engaged.	2. Unplug unit, wait 5-10 minutes, then the sensor will reset itself. Plug the unit back in and turn on the heater. If the problem persists, call customer service.
3. E2 displayed on control panel.	3. The ambient temperature sensor is broken or not working correctly.	3. Unplug unit, wait 5-10 minutes, then the sensor will reset itself. Plug the unit back in and turn on the heater. If the problem persists, call customer service.
4. E3 displayed on control panel.	4. Heater lock function activate	4. To inactivate the Heater Lock function, holding the Power button for 10 seconds.
5. Fan motor continues to blow after unit is powered off.	5. Normal operation.	5. This is a standard feature; the blower runs for an additional 20 seconds to ensure heat will not be trapped inside the unit.
6. Power cord gets warm to the touch.	6. Normal operation.	6. This is normal for a heater appliance as it requires more current to operate. Check the connections of the appliance cord and the outlet. Make sure the plug fits tightly into the outlet. During use, check the plug and outlet frequently to determine if it is HOT; if so, discontinue use of the appliance and consult with a qualified electrician to check or change the overheating outlet(s).
7. PCB crashed.	7. No function operates, machine does no response and alarm alerts.	7. Frequently use on/off button repeatedly will trigger the PCB protection, unplug unit and wait for 5-10 minutes, then the sensor will reset itself.