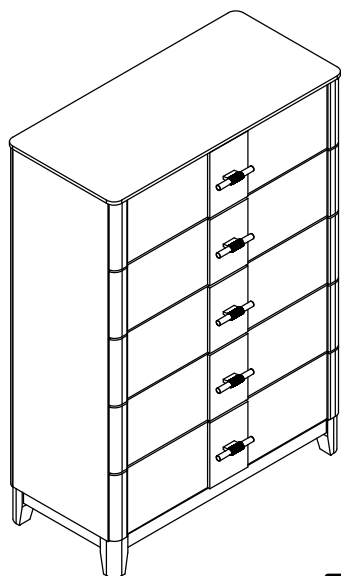


# ASSEMBLY INSTRUCTIONS

## OPEL-CH

### GAL - B2533A - CHEST - BLACK



#### PARTS LIST

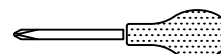
NO	DESCRIPTION	QTY
1	CHEST	1 PC.
2	LEG	4 PCS.

#### HARDWARE LIST

NO	DESCRIPTION	SIZE	QTY
A	JCBC SCREW	M6 x 50	8 PCS.
B	SPRING WASHER	M8	8 PCS.
C	FLAT WASHER	M8 x 18	8 PCS.
D	ALLEN KEY	M4	1 PC.

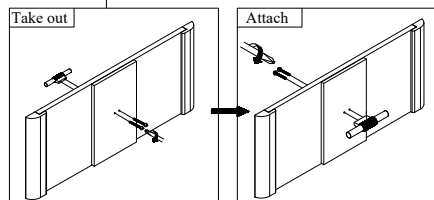
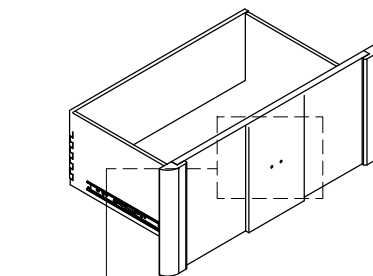
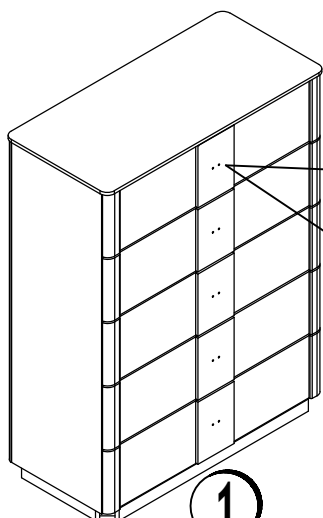


TOOL REQUIRED (NOT PROVIDED)

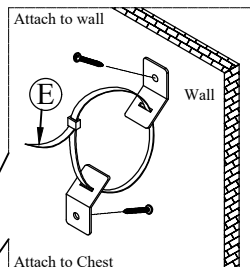


#### STEP 1

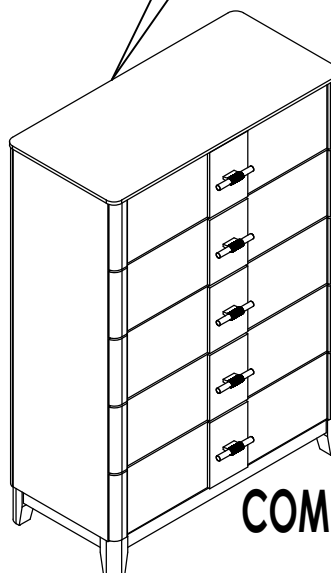
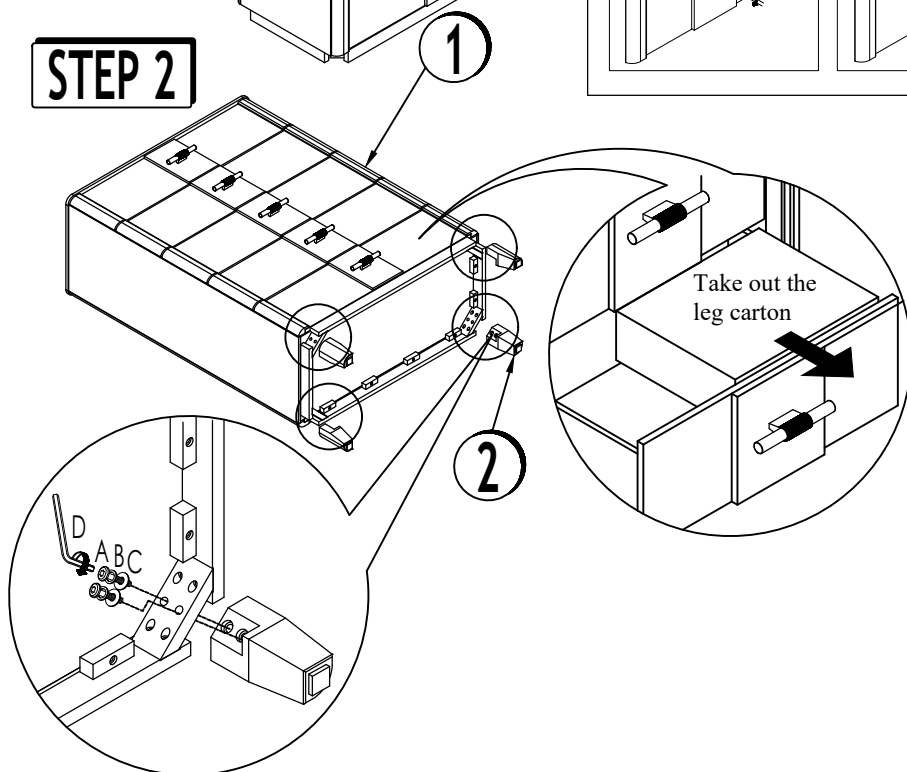
STEP 1: Assemble the handle from inside the drawer head to the front drawer head.



#### STEP 3



#### STEP 2



**COMPLETED**