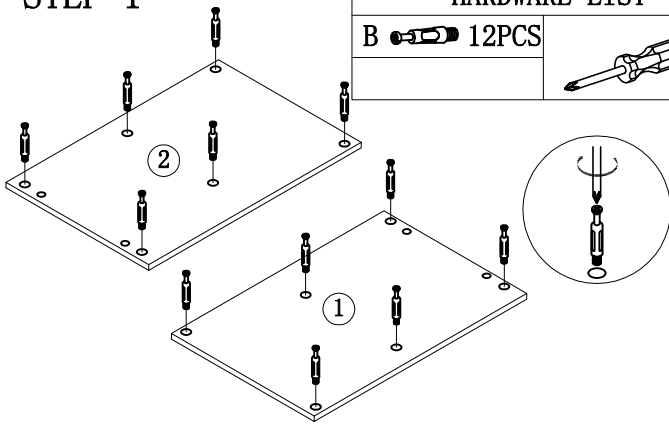
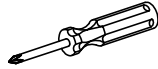


INSTALLATIONS

STEP 1

HARDWARE LIST

B  12PCS

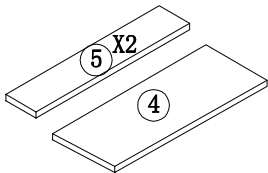
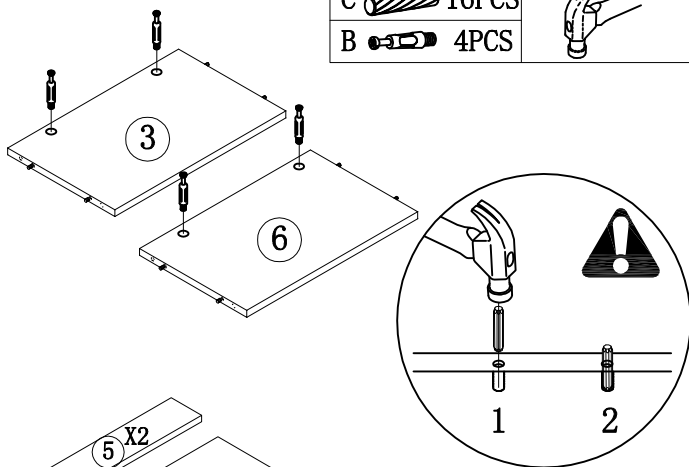


STEP 2

HARDWARE LIST


C  16PCS

B  4PCS

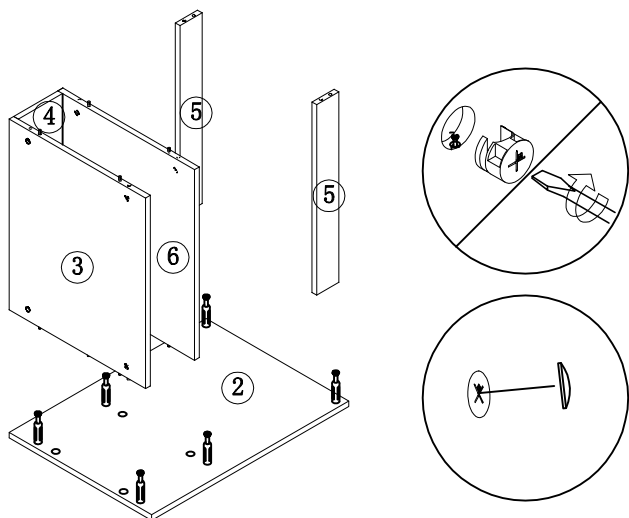
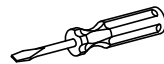


STEP 3

HARDWARE LIST


A  8PCS

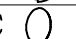
C  8PCS

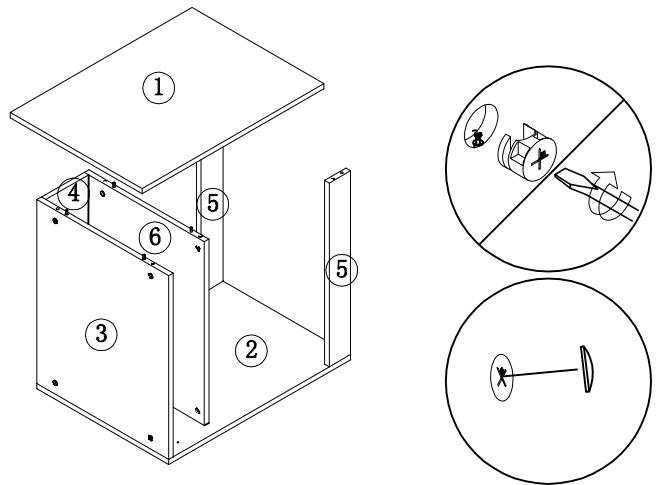
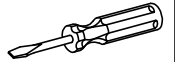


STEP 4

HARDWARE LIST

A  8PCS

C  8PCS

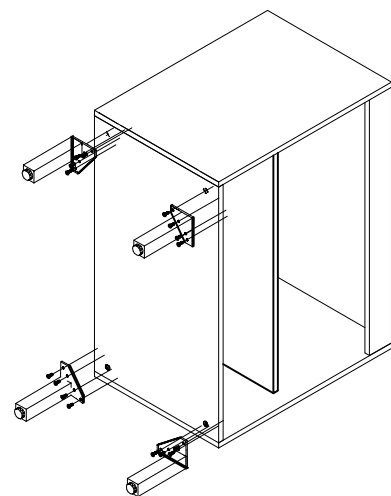
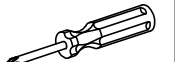


STEP 5

HARDWARE LIST





H  16PCS

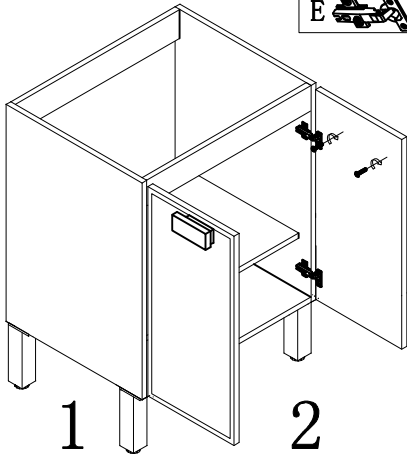
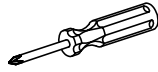
F  4PCS



STEP 6

HARDWARE LIST

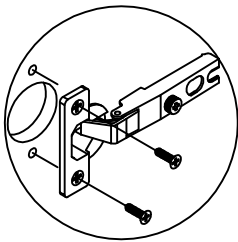
G		24PCS
H		2PCS
I		4PCS
E		2PCS



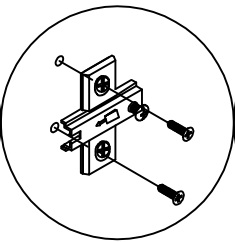
1

2

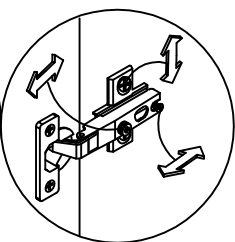
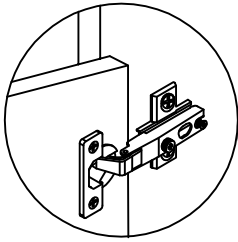
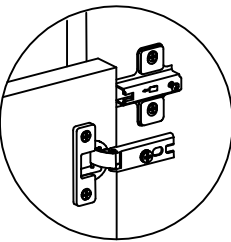
3



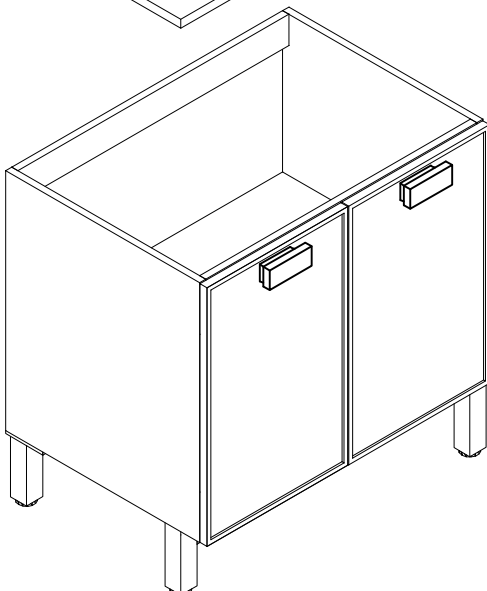
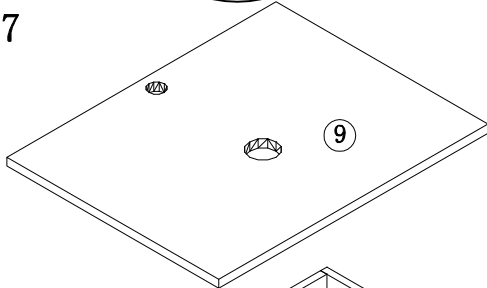
4



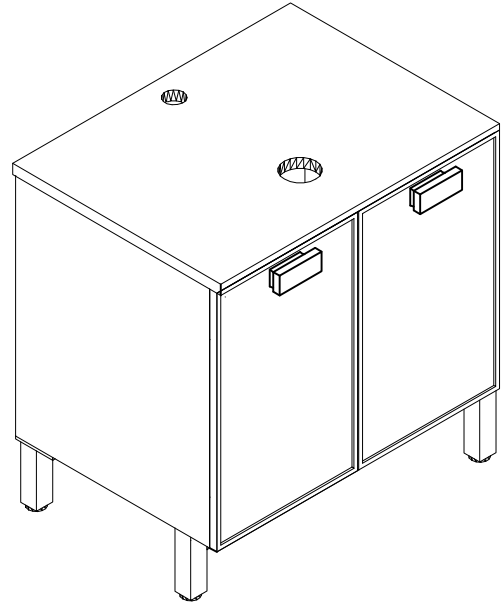
5



STEP 7



STEP 8



Choking hazard-Small Parts : This unit contains small parts, not for children under 3 years.

Tip-over hazard : Secure finished unit to wall stud using L-Bracket and wall screw (#10*1.5"W/out provided). If a wall stud is not neccessible ,Consault your local hardware store for appropriate mounting hardware . Failure to properly install will result in product collapse or tip-over. Serious injury can occur .