


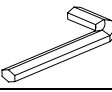



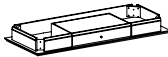


# Desk With Drawer

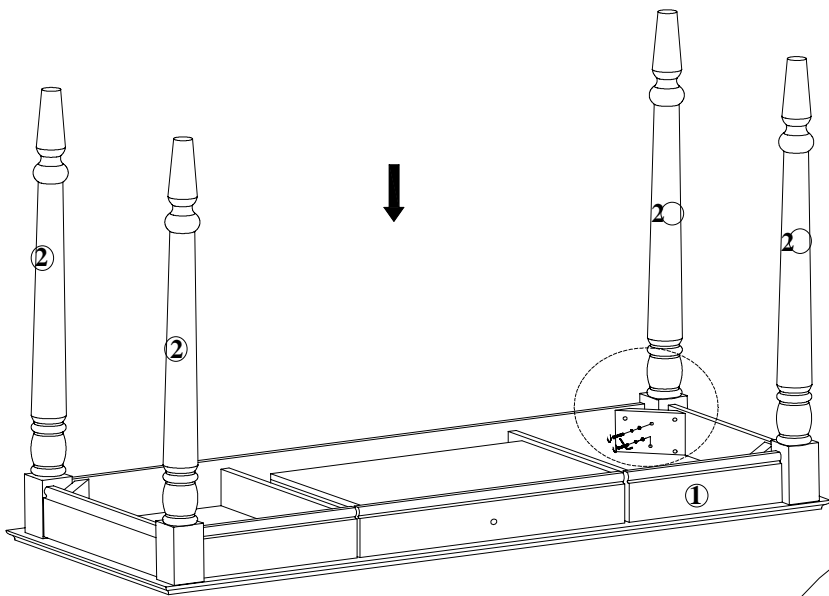


## HARDWARE LIST

CODE	NAME	FIGURE	Q'TY
A	ALLEN SCREW ( $\Phi$ 1/4"*51mm)		8PCS
B	LOCK WASHER ( $\Phi$ 1/4")		8PCS
C	FLAT WASHER ( $\Phi$ 1/4"*16mm)		8PCS
D	ALLEN WRENCH (M4x21x57mm)		1PC
E	HANDLE		1PC

## PARTS LIST

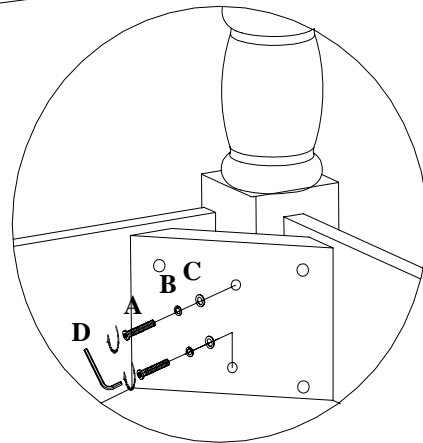
CODE	NAME	FIGURE	Q'TY
①	DESKTOP		1PC
②	LEG		4PCS
③	COLOR STICK		1PC



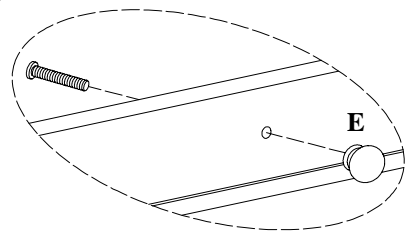
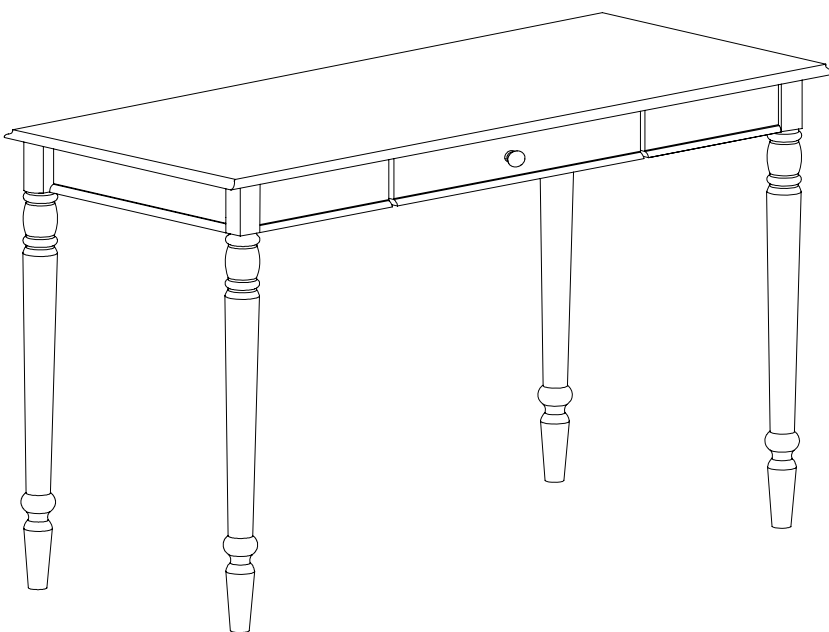
1. Place desktop upside down on carpet or other soft surface.

2. Attach all four legs to desktop using allen screws and the allen wrench (provided).

### STEP 1



2. Attach all four legs to the desktop as shown in the circle diagram above. Place the lock washer (B) onto the allen screw first. Followed by the flat washer (C) and screw then into each leg.



### STEP 2