

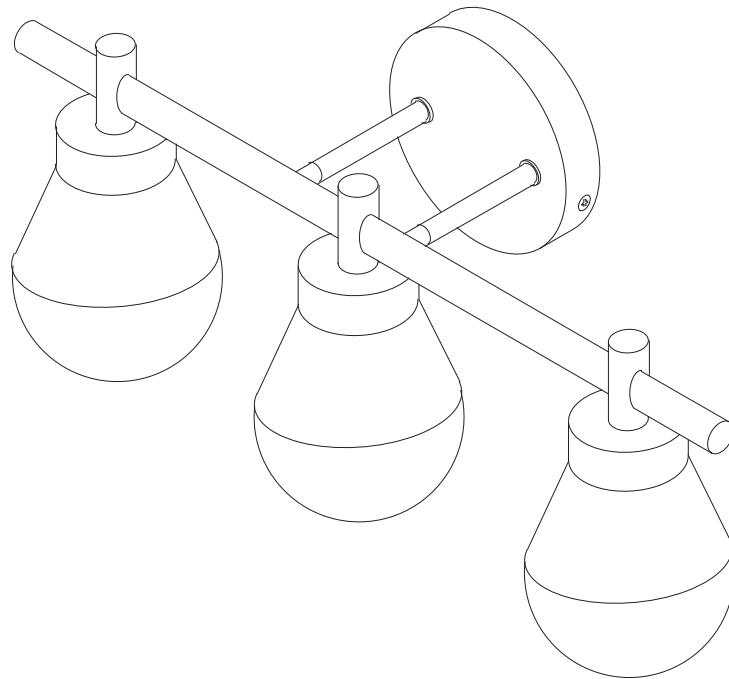
Model # 24388-000



ALL • TOGETHER • BETTER

USE AND CARE GUIDE

3-Light Vanity



Questions, problems, missing parts? Before returning to the store, please contact our Customer Care Department at: Kenroyhome@luciditylights.com

LUCIDITYLIGHTS.COM

THANK YOU

We appreciate the trust and confidence you have placed in Kenroy Home through the purchase of this light fixture. We strive to continually create quality products designed to enhance your home. Visit us online to see our full line of products available for your home improvement needs. Thank you for choosing Kenroy Home!

Table of Contents

Table of Contents	2	Hardware Included	3
Safety Information	2	Package Contents	4
Warranty	2	Installation	5
Pre-Installation	3	Care and Cleaning	6
Tools Required	3	Troubleshooting	6

Safety Information



WARNING: Inspect the wire insulation for any cuts, abrasions, or exposed copper that may have resulted during shipping. If there is a defect in the wire, do not attempt installation. Please contact our Customer Service Team at: Kenroyhome@luciditylights.com.



WARNING: RISK OF ELECTRIC SHOCK. Before starting the installation, disconnect the power by turning off the circuit breaker or by removing the appropriate fuse at the fuse box. Turning the power off at the switch is not sufficient to prevent electrical shock. **CONSULT A QUALIFIED ELECTRICIAN IF YOU HAVE ANY ELECTRICAL QUESTIONS.**



NOTE: Make the connections to a 120V AC 60Hz circuit.

Warranty

ONE YEAR MANUFACTURER WARRANTY

WHAT IS COVERED

The manufacturer warrants this unit to be free from defects in materials and workmanship for a period of one (1) year from date of purchase.

This warranty applies only to the original consumer purchaser and only to products used in normal use and service. If this product is found to be defective, the manufacturer's only obligation, and your exclusive remedy, is the repair or replacement of the product at the manufacturer's discretion, provided that the product has not been damaged through misuse, abuse, accident, modifications, alterations, neglect, or mishandling. This warranty shall not apply to any product that is found to have been improperly installed, setup, or used in any way not in accordance with the instructions supplied with the product. This warranty shall not apply to a failure of the product as a result of an accident, misuse, abuse, negligence, alteration, faulty installation, or any other failure not relating to faulty material or workmanship.

This warranty shall not apply to the finish on any portion of the product, such as surface and/or weathering, as this is considered normal wear and tear.

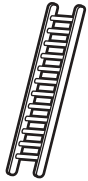
WHAT IS NOT COVERED

The manufacturer does not warrant and specifically disclaims any warranty, whether express or implied, of fitness for a particular purpose, other than the warranty contained herein. The manufacturer specifically disclaims any liability and shall not be liable for any consequential or incidental loss or damage, including but not limited to any labor/expense costs involved in the replacement or repair of said product. Contact the Customer Service Team at Kenroyhome@luciditylights.com or visit www.luciditylights.com.

Pre-Installation

- Read all instructions before assembling.
- To avoid damaging this product, assemble it on a soft, non-abrasive surface such as a carpet or cardboard.
- Keep the receipt and these instructions for proof of purchase.
- Use the standard E12 type B bulbs up to 40 watts, or LED equivalent (not included).

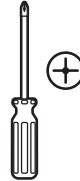
TOOLS REQUIRED



Ladder



Safety Goggles



Phillips
Screwdriver



Electrical Tape



Wire Strippers

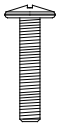


Wire Cutters

HARDWARE INCLUDED



NOTE: Hardware not shown to actual size.



AA

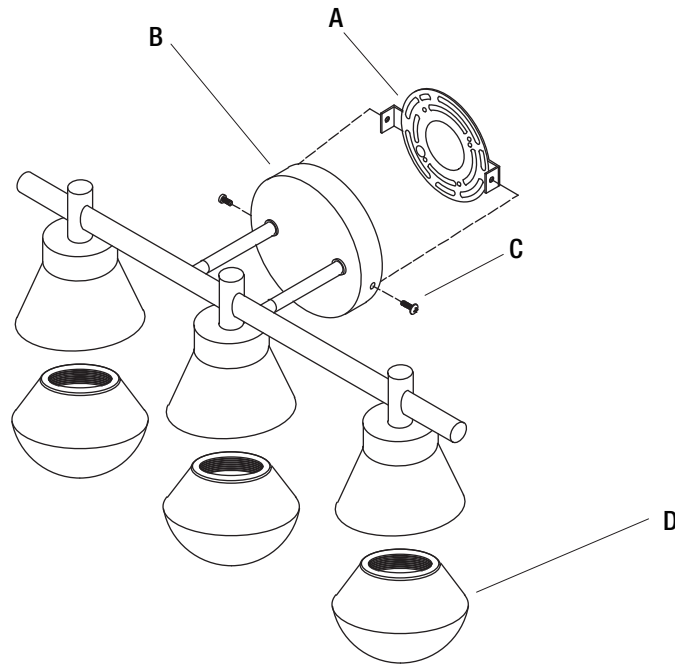


BB

Part	Description	Quantity
AA	Junction box screws	2
BB	Wire connector	3

Pre-Installation (continued)

PACKAGE CONTENTS



Part	Description	Quantity
A	Mounting bracket (preassembled to fixture assembly (B))	1
B	Fixture assembly	1
C	Canopy screw (preassembled to fixture assembly (B))	2
D	Shade	3

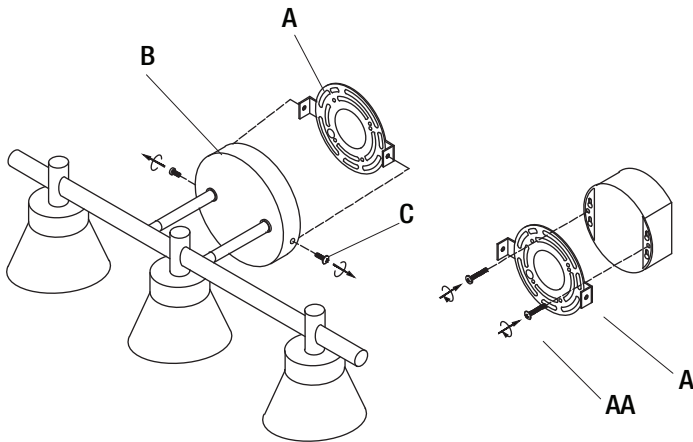
Installation

1 Installing the mounting bracket

- Carefully unpack and lay all parts on a clean, level surface.
- Unscrew the canopy screws (C) from the fixture assembly (B) and detach the mounting bracket (A).
- Attach the mounting bracket (A) to the junction box (not included) with junction box screws (AA).

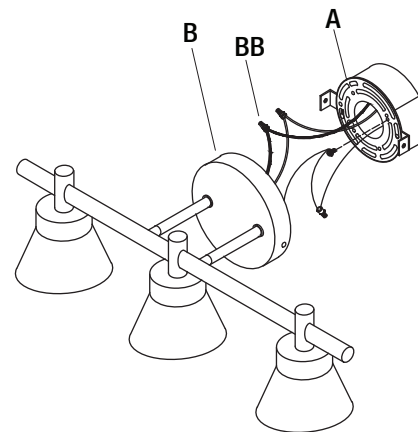


NOTE: The mounting holes on the mounting bracket should be in a horizontal position.



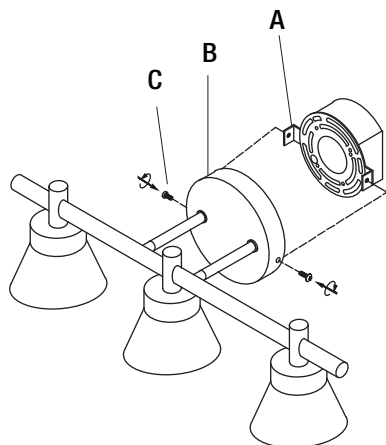
2 Making the electrical connections

- Connect the white wire from the fixture to the white wire of the supply circuit.
- Connect the black wire from the fixture to the black wire of the supply circuit.
- Wrap the bare copper grounding wire from the fixture around the green screw on the mounting bracket (A), then connect it to the grounding conductor of the supply circuit.
- Use U.L./C.S.A. listed wire connectors (BB) suitable for the size, type and number of conductors.
- Secure the wire connectors (BB) with U.L./C.S.A. listed electrical tape (not included).
- Tuck all wires back into the outlet box.



3 Installing the fixture

- Place the fixture assembly (B) against the mounting surface, align the mounting holes of mounting bracket (A) with the canopy holes on the fixture assembly (B).
- Secure with the previously removed canopy screws (C).



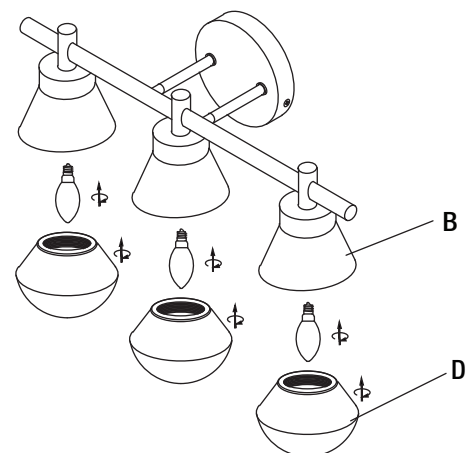
4 Installing the bulb and shade

- Install the bulbs (not included).



NOTE: Use only the recommended bulb types and wattages.

- Turn the shades (D) clockwise to the fixture assembly (B) until secure.



Care and Cleaning

- Clean the unit with a soft, dry cloth.
- Do not use any cleaners with chemicals, solvents, or harsh abrasives.

Troubleshooting

Problem	Possible Causes	Solutions
The bulb will not light.	The bulb is burned out.	□ Replace the light bulb.
	The power is off.	□ Ensure the power supply is on.
	The circuit breaker is off.	□ Ensure the circuit breaker is in the ON position.
The fuse blows or circuit breaker trips when the light is turned on.	There is an exposed wire.	□ Discontinue use of the lamp. □ Contact a qualified electrician or call the Customer Service Team at: Kenroyhome@luciditylights.com



www.luciditylights.com

CUSTOMER SUPPORT TEAM

For any additional questions or concerns please contact our Customer Support Team:



Kenroyhome@luciditylights.com