



Thank you for choosing us. We stand behind our brand and the quality of the items we sell. Replacement parts or products can be requested within the 1-year warranty period. Proof of purchase must be provided. This includes the date of the purchase as well as photos of the product defect. Photos are used to determine the cause of the defect and to provide future quality control. The request will be reviewed, and replacement pieces will be sent at our discretion.

CAST ALUMINUM BISTRO SET

Review all assembly and care information before using this product. Save this manual for future reference.



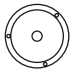

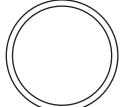

Assemble components on a soft, clean surface to avoid damaging the finish.







 Inspect packaging to ensure all parts are accounted for before disposing of packing materials.
  Save the packing slip.



250
pounds
113.4 kg
Chair Capacity

100
pounds
45.4 kg
Table Capacity

No.	PARTS	QTY.
A	 Tabletop	1
B	 Table Leg	3
C	 Table Support	1
D	 Backrest	2
E	 Seat	2
F	 Chair Leg	8

No.	HARDWARE	QTY.
G	 M6x25mm Bolt	3
H	 M6x30mm Grub Screw	23
I	 Washer	26
J	 Nut	26

! WARNING !
CHOKING HAZARD — This item contains small parts that can be swallowed. Keep children and pets away during assembly.

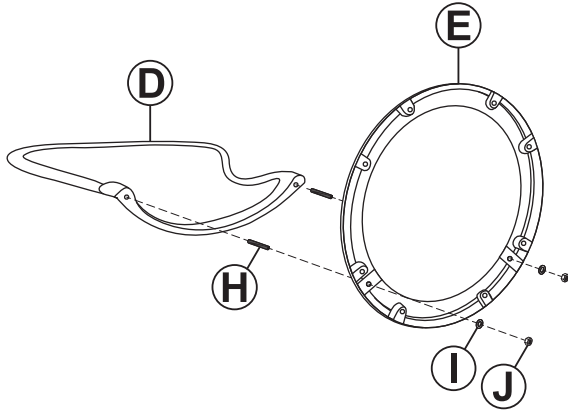
INCLUDED TOOLS	
	Hex Key
	Spanner

ASSEMBLY

STEP 1

- D: 2
- E: 2
- H: 4
- I: 4
- J: 4

x2



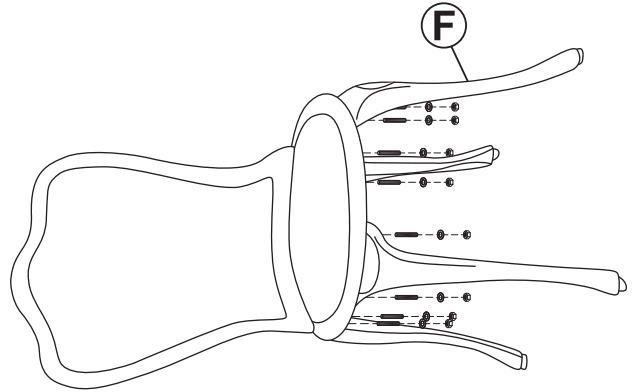
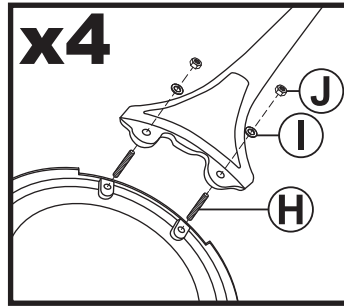
Install two Grub Screws (H) into Backrest (D). Secure the backrest to Seat (E) using two Washers (I) and Nuts (J).

STEP 2

- F: 8
- H: 16
- I: 16
- J: 16

x4

x2



Install four Grub Screws (H) into the bottom of the seat.

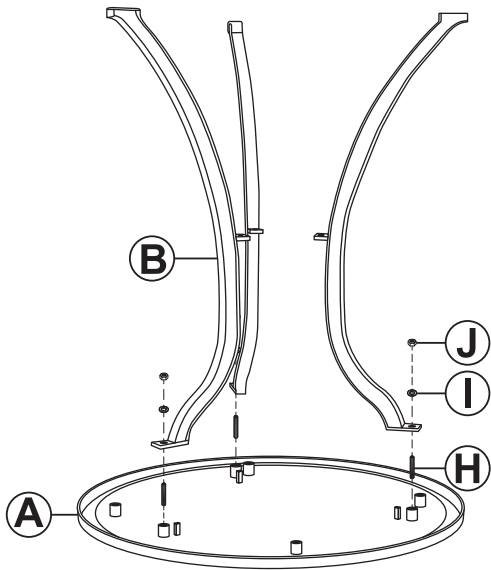
Secure four Legs (F) to the bottom of the seat using two Washers (I) and Nuts (J) for each leg.

STEP 3

- A: 1
- B: 1
- H: 3
- I: 3
- J: 3

IMPORTANT:

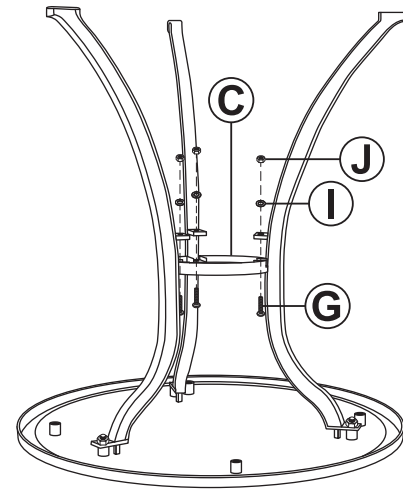
Do not fully tighten hardware until Step 4 is complete.



Install three Grub Screws (H) into Tabletop (A). Loosely install three Table Legs (B) using Washers (I) and Nuts (J).

STEP 4

- E: 1
- G: 3
- I: 3
- J: 3



Loosely install Table Support (C) to the legs using three Bolts (G), Washers (I), and Nuts (J).

Finish tightening all table hardware.

Care & Maintenance

SAFE USE: For residential use only. Only use on a flat, level surface. Never stand on any part of this unit.

EXPOSURE: Over time, sunlight may cause the finish to fade. Long-term exposure to moisture may cause hardware to rust.

INSPECT: Periodically check assembly points and tighten fittings as necessary.

CARE & STORAGE: Protect this item from inclement weather, especially ice and snow. Move to a dry indoor location when not in use. Covering while in storage is recommended to help prevent dust build-up.

SCRATCHES: The powder coating on this product is tough and durable but, even under normal use, some scratching is inevitable. Scratches can be repaired with a rust-resistant paint (not included).

WARNING: THE ONE-YEAR WARRANTY DOES NOT COVER DAMAGES OR DEFECTS CAUSED BY THE APPLICATION OF CHEMICAL TREATMENTS, PROTECTIVE COATINGS, TOUCH-UP PAINT, OR CLEANING PRODUCTS.

Cleaning

 **HAND-WASH ONLY**

 **DO NOT USE BLEACH**

 **DO NOT USE A PRESSURE WASHER**

Mix warm water with mild detergent. Use a soft cloth to hand-wash the furniture. Rinse thoroughly with clean water, ensuring all soap residue has been removed. To prevent water spotting, dry with a soft, lint-free cloth.

SAFETY STATEMENTS & WARNINGS

- For residential use only.
- Only use on a flat, level surface.
- Do not exceed the weight capacity.
- Never sit or stand on the table. Never stand on the chairs.
- Inspect hardware often and tighten as necessary.
- Never allow children to use this product unsupervised.
- Keep furniture a safe distance from heat sources such as fire pits, patio heaters, and grills.
- Never use chemical cleaning products or polishes as doing so may damage the finish.

Any modification to the product or failure to follow recommended care will void the product warranty.

If you experience issues with assembly or the product was damaged during transit, please contact our customer service team directly through one of the methods mentioned at the top of page 1.

Please have the item number and order information ready to expedite response time.

WARNING:

Manufacturer and seller expressly disclaim any and all liability from personal injury, property damage or loss, whether direct or indirect, or incidental, resulting from the incorrect attachment, improper use, inadequate maintenance, or neglect of this product.