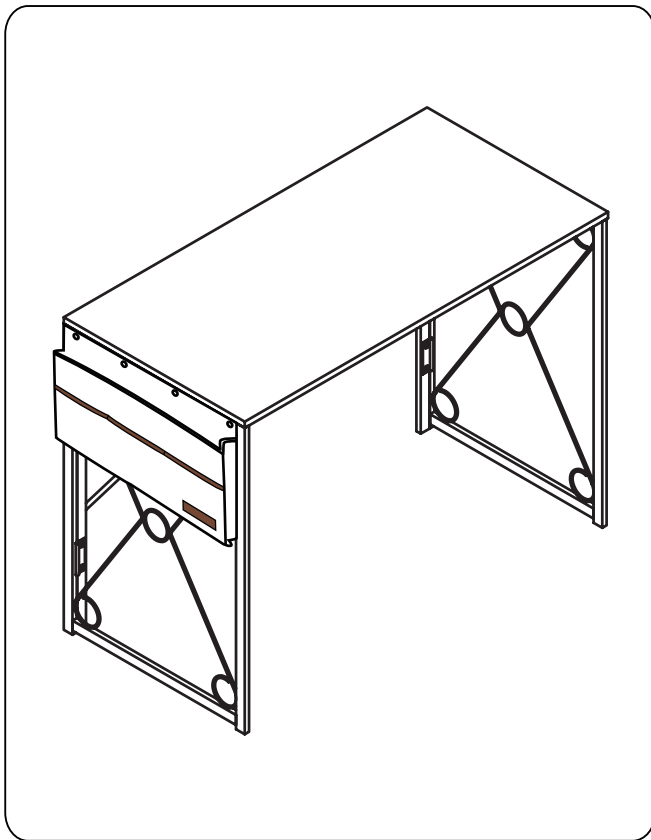


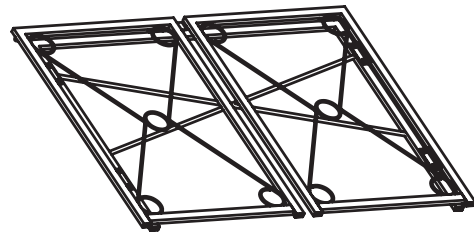
Assembly Instructions

Tips!

Check all the components & screws before assembly. Do not install in case part is missing, contact us to get.

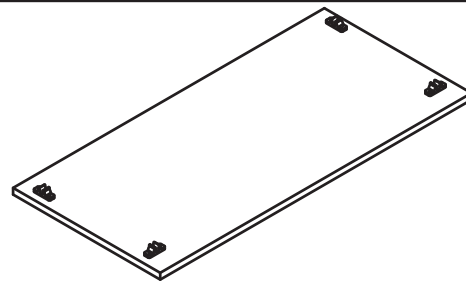


A



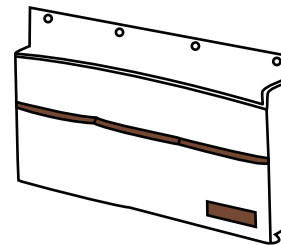
*1

B



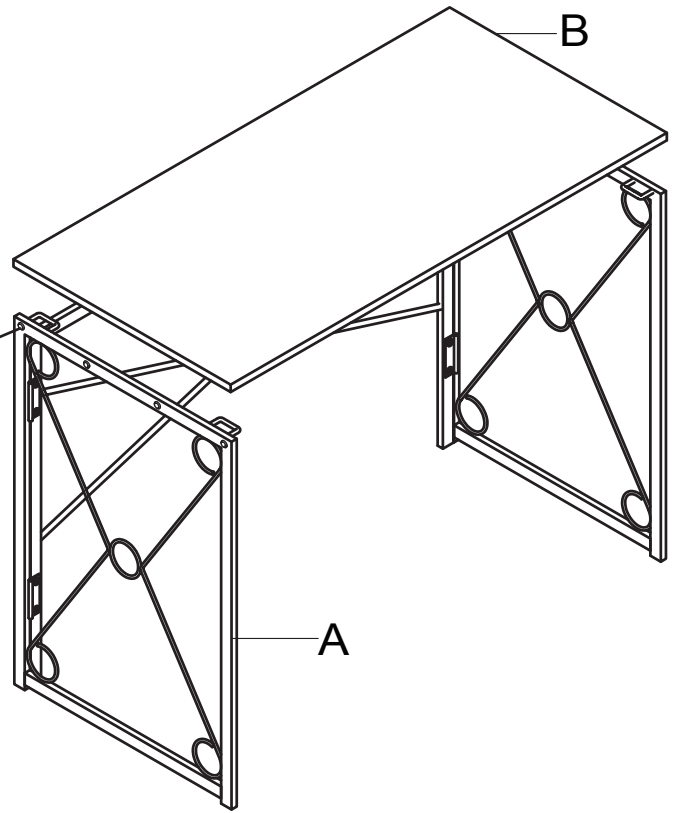
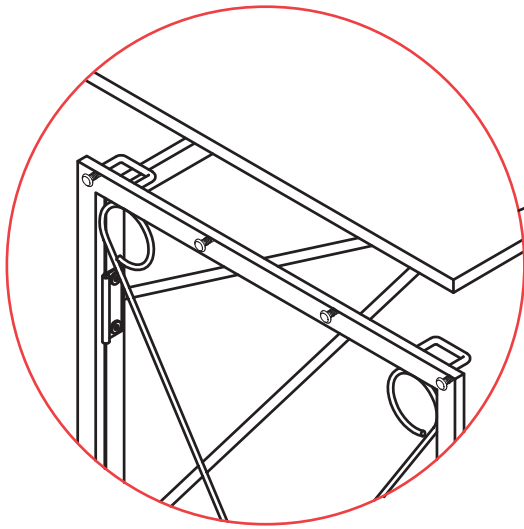
*1

C



*1

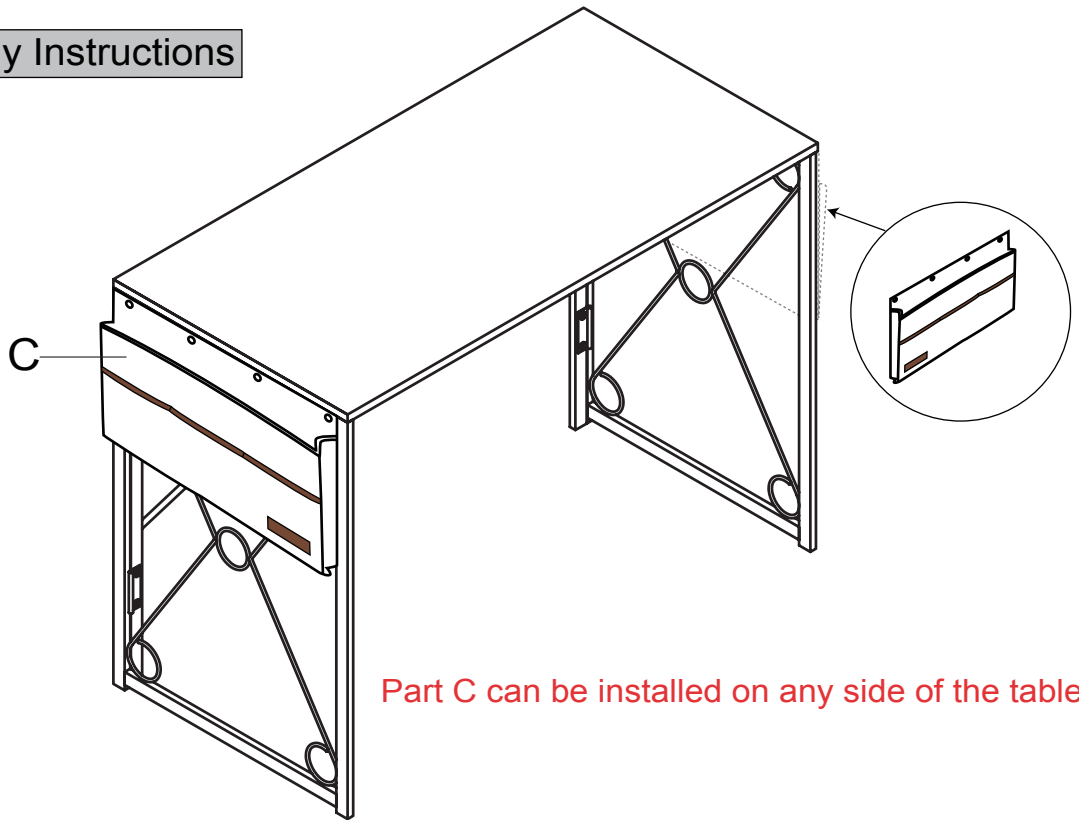
1



Tips:
Unscrew the screw when install part C

2

Assembly Instructions



Part C can be installed on any side of the table