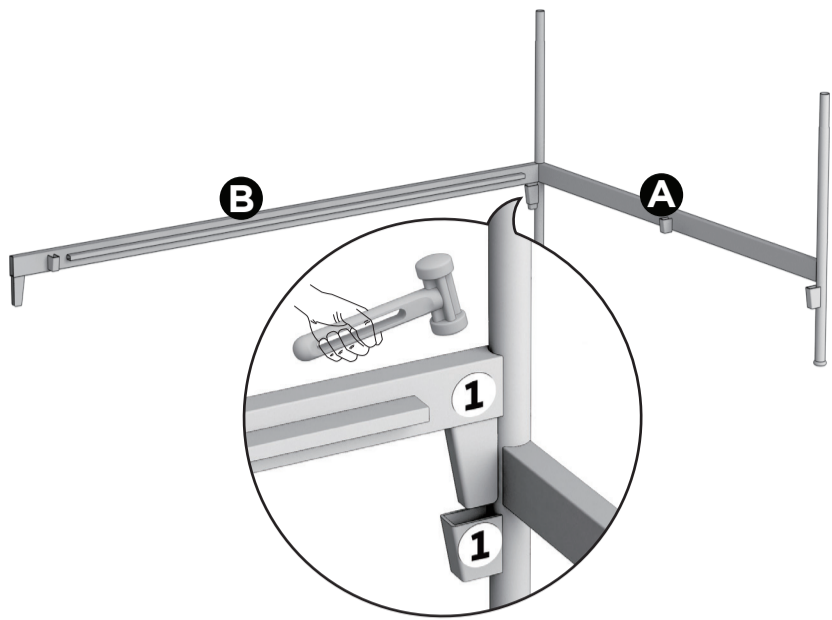
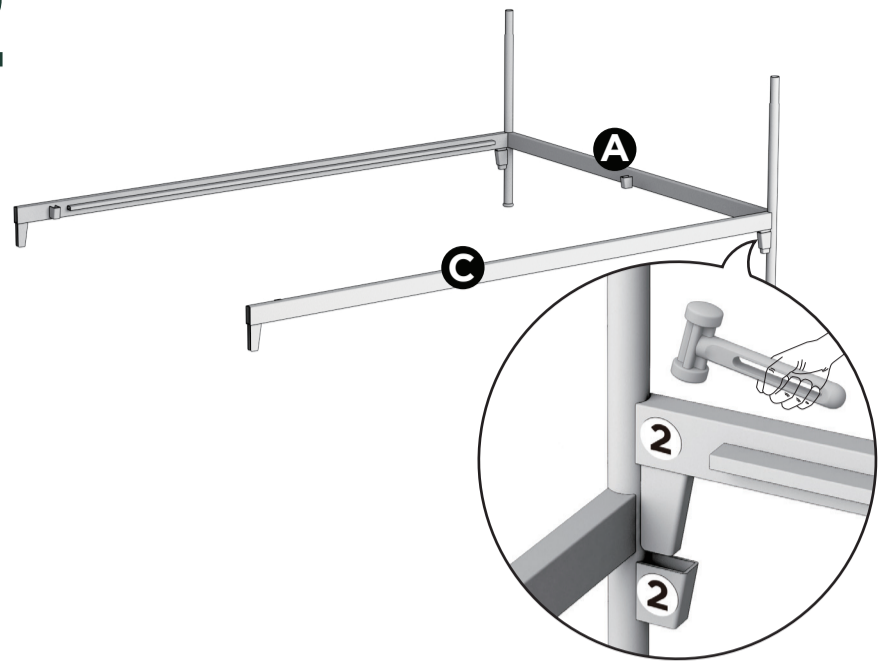
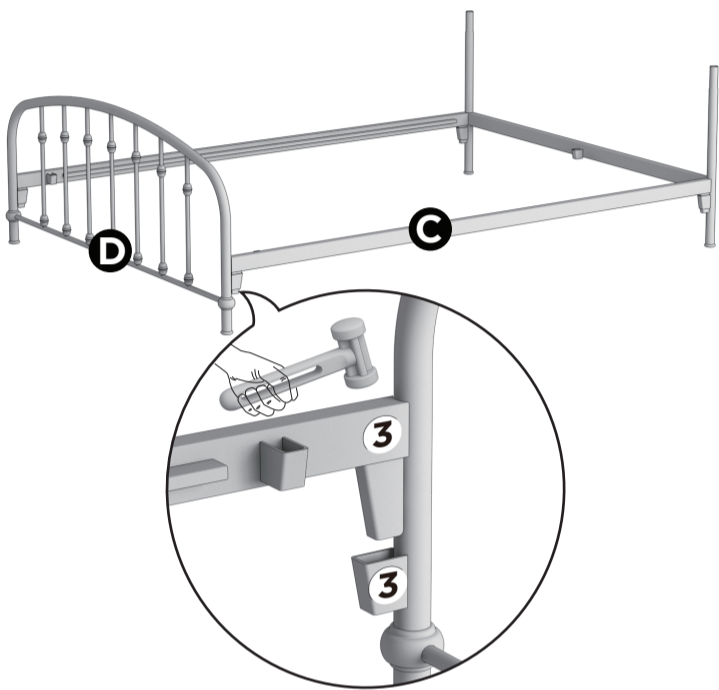
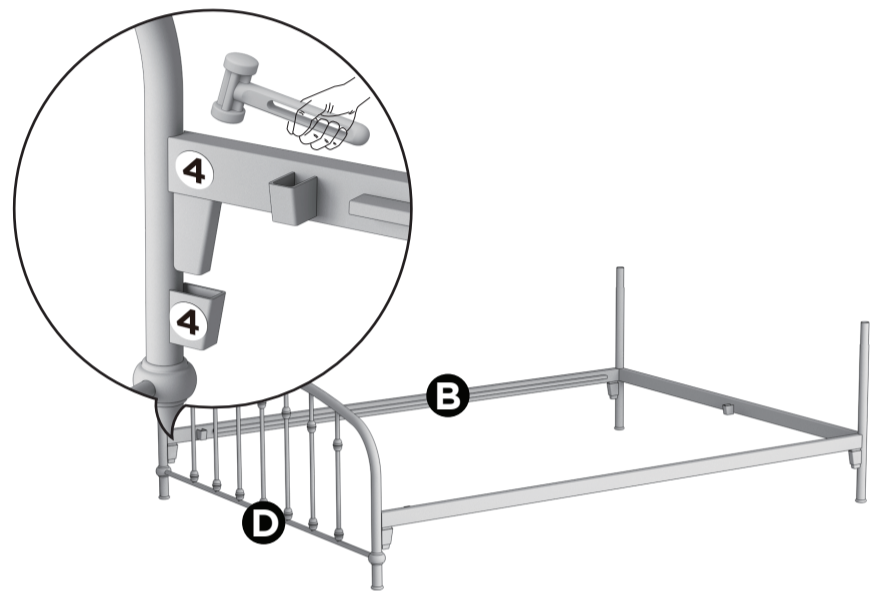
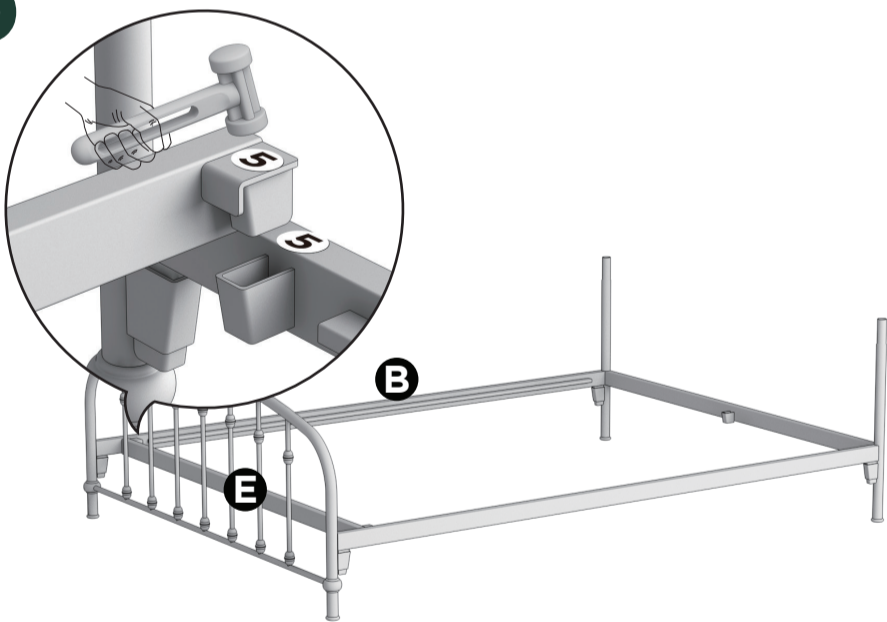
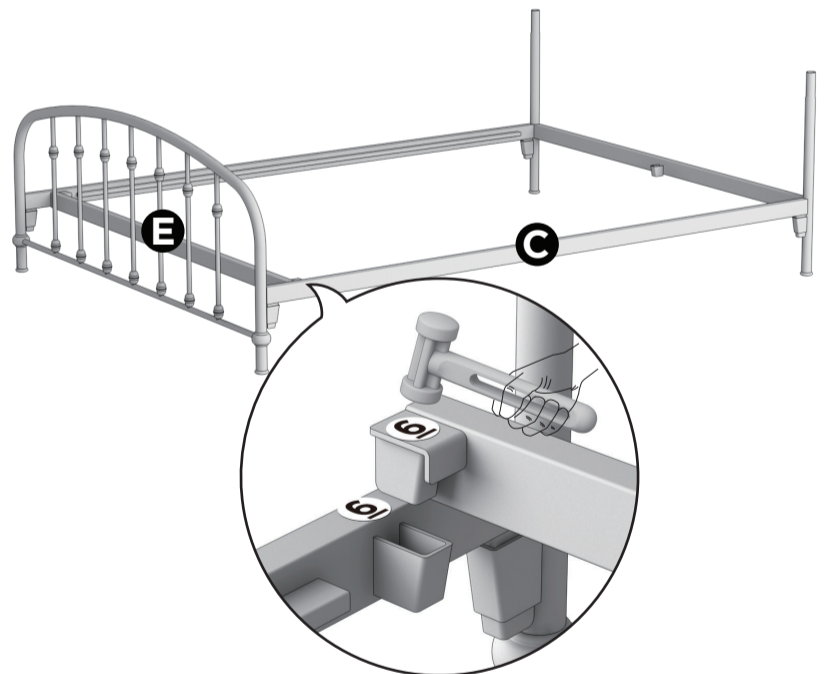
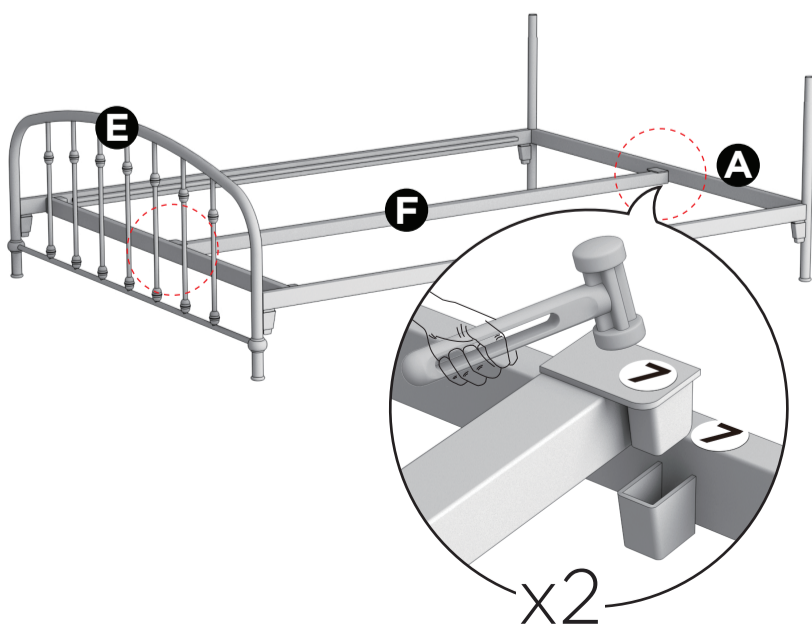
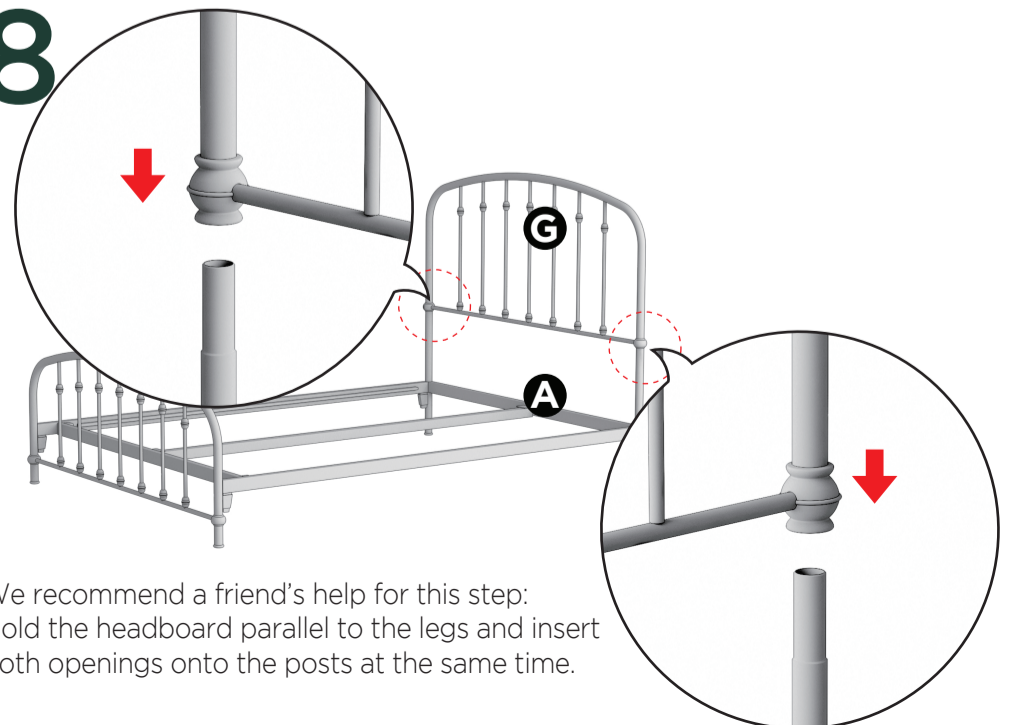




**1****2****3****4****5****6****7****8**

We recommend a friend's help for this step:  
Hold the headboard parallel to the legs and insert  
both openings onto the posts at the same time.

9



10



11

