

WARNING!!

Children have died from furniture tipover. Tip restraints have been included with this product; you must install the tip restraints according to these instructions in order to minimize the risk of furniture tipping.

NEVER allow children to climb or hang on furniture, including drawers or cabinet doors.

In addition to installing the restrains, to help prevent tip-over






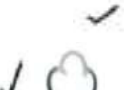



1. **NEVER** put a TV or other heavy objects on top of this product".
2. Do not stand on the product

 WARNING	
	<p>Children have died from furniture tipover. To reduce the risk of furniture tipover:</p> <ul style="list-style-type: none">-ALWAYS install anti-tip device provided.-NEVER put a TV on this product.-NEVER allow children to stand, climb, or hang on any drawers, doors, or shelves.-NEVER open more than one drawer at a time.-Place heaviest items in the lowest drawers. <p><i>This is a permanent label. Do not remove!</i></p>
	

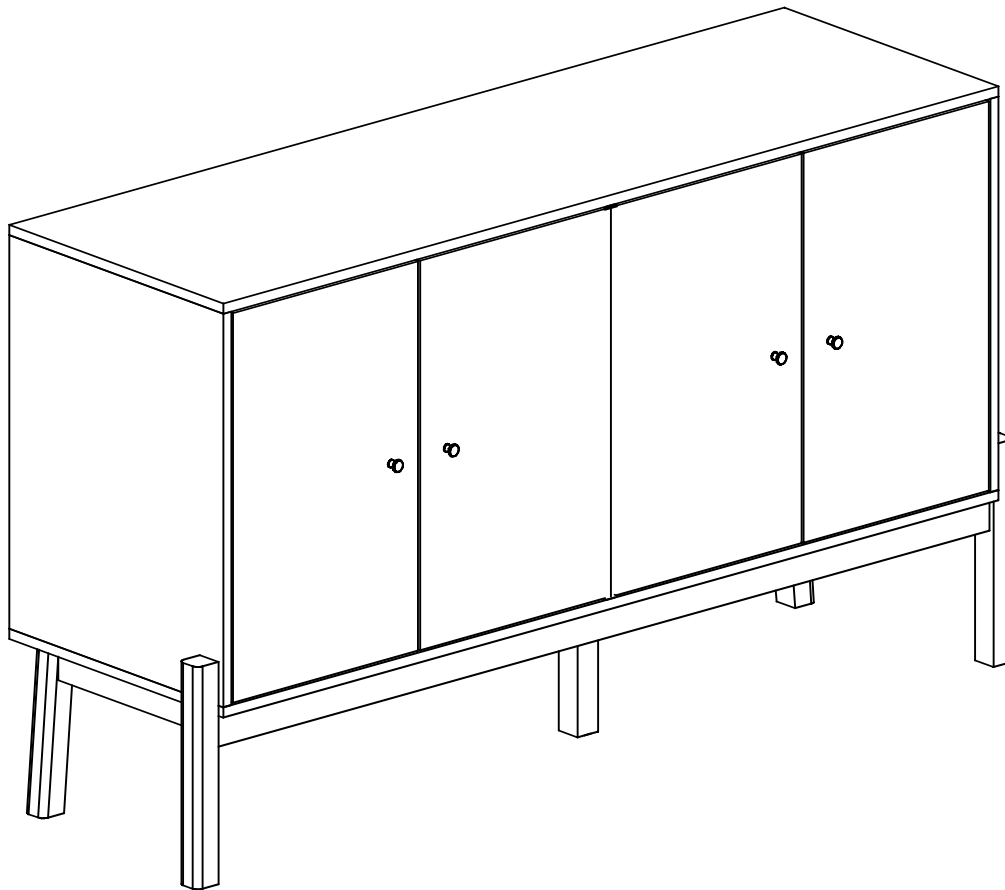
Assembly Instructions

Caution: You must read these Assembly Instructions before you proceed

Care & Maintenance

-  • Do not put hot items directly on furniture surface.
-  • Do not clean furniture with harsh cleansers or polish.
-  • To obtain the longest lifespan of your outdoor product minimizing exposure to direct sunlight is recommended.
-  • Children should not climb or jump on the furniture.
-  • Do not write on furniture without a padded barrier to protect the surface.
-  • To obtain the longest lifespan of your outdoor products, avoid extended and lengthy exposure to rain, snow, and direct sunshine. Whenever possible cover the product and /or place under patio or awnings.
-  • Not for commercial use. For residential use only.
-  • Stains may be removed with mild soap solution and damp cloth.
-  • Dust and pick-up spills using a clean, non-colored, lint-free cloth.

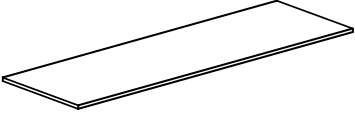
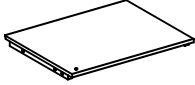
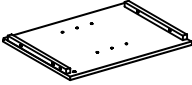
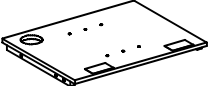
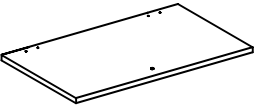
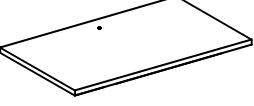
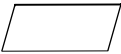
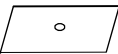
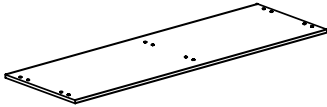
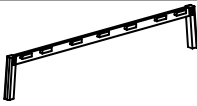





Please look into the Side Board for hardware packs.



Caution: This Side board is NOT a TOY
Keep your child/children at bay during the assembly process.
Whenever lifting or moving the Side board and to prevent damage to the Side board, two adults may be needed to execute these action.










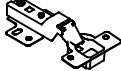









Assembly Instructions

Part List

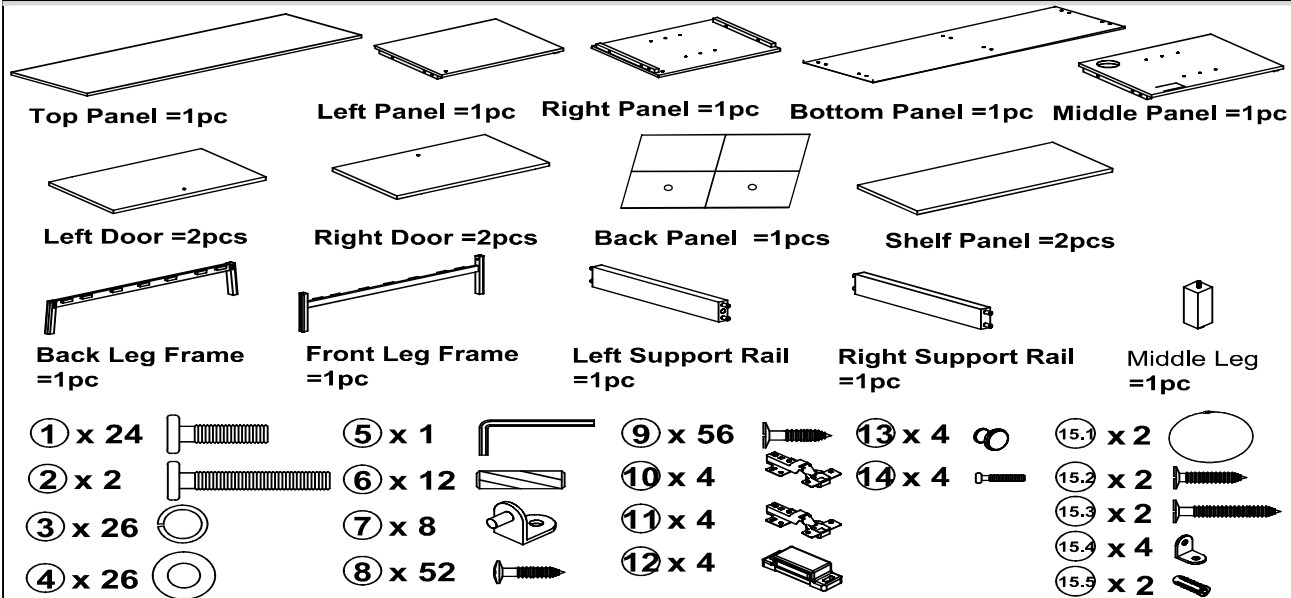
Label	Picture	Description	Qty
A		Top Panel	1pc
B		Left Panel	1pc
C		Right Panel	1pc
D		Middle Panel	1pc
E		Left Door	2pcs
F		Right Door	2pcs
G		Back Panel	2pcs
G1		Back Panel	2pcs
H		Bottom Panel	1pc
I		Back Leg Frame	1pc
J		Front Leg Frame	1pc
K		Shelf Panel	2pcs
L		Left Support Rail	1pc
M		Right Support Rail	1pc
N		Middle Leg	1pc

Assembly Preparation

Hardware

Label	Picture	Description	Qty
①		Bolt 6.3 x 35mm	Qty 24pcs + extra 1pc
②		Bolt 6.3 x 60mm	Qty 2pcs + extra 1pc
③		Lock Washer Ø7.8 x 13mm	Qty 26pcs + 1 extra 1pc
④		Flat Washer Ø7.8 x 16 x 2mm	Qty 26pcs + 1 extra 1pc
⑤		Allen Key	1pc
⑥		Wooden Dowel Ø8 x 25mm	Qty 12pcs + 1 extra 1pc
⑦		Patch L	Qty 08pcs + 1 extra 1pc
⑧		Short Screw Ø3 x 15mm	Qty 56 pcs + 1 extra 1pc
⑨		Short Screw Ø3 x 15mm	Qty 64 pcs + 1 extra 1pc
⑩		Damper Hinge - Left	Qty 4pcs
⑪		Damper Hinge - Right	Qty 4pcs
⑫		Magnetic Clasp	4pcs
⑬		Door Knob	4pcs
⑭		Bolt door knob 5/32"x25mm	4pcs
15.1		Metal Strap	2pcs
15.2		Short Screw	2pcs
15.3		Long Screw	2pcs
15.4		Patch L	4pcs
15.5		Anchor	2pcs

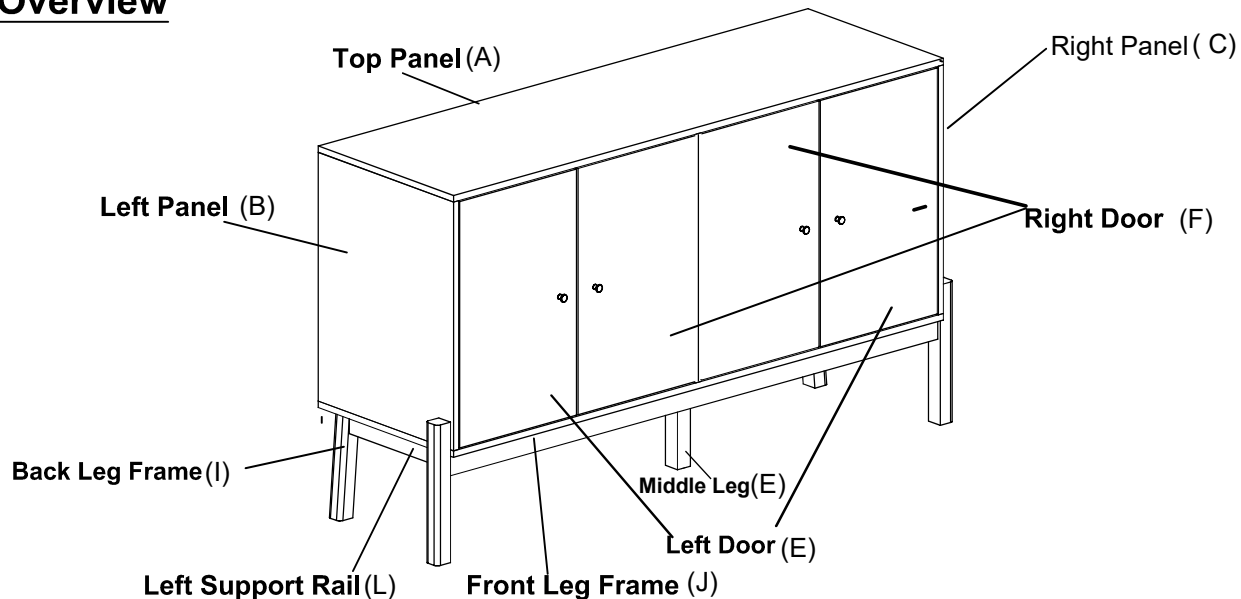
Assembly Preparation



- Read instructions, cover to cover-
- Have 2 adults on hand for assembly-
- Do not assemble on flooring or carpet-
- Assemble on a clean non-marring surface (packing foam)-
- Save all packaging until finished-

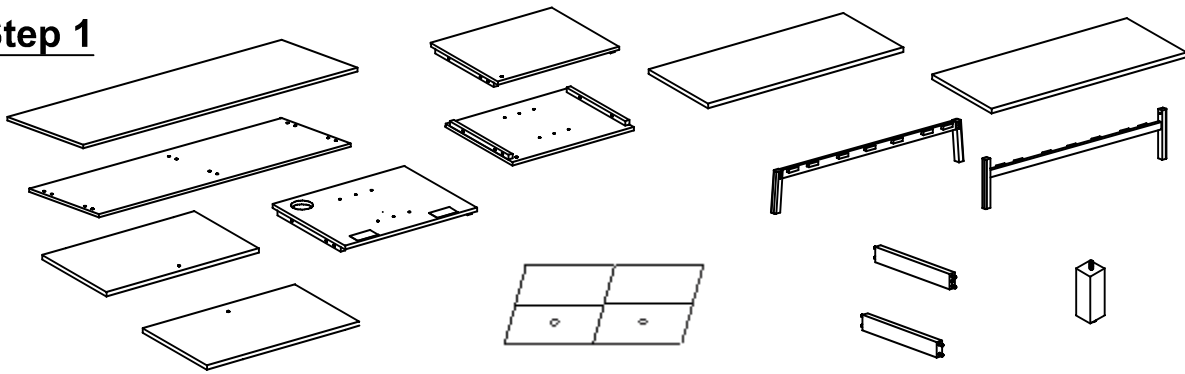
Assembly Steps

Overview



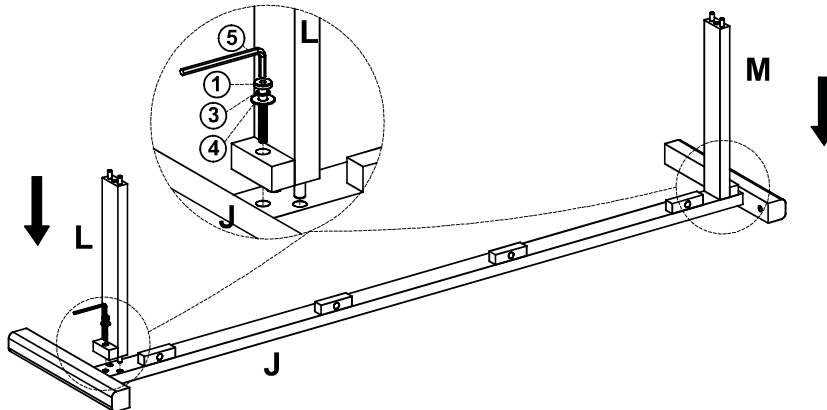
This Side Board has multiple parts and may require up to 30 minutes to assemble. To give you an overview of the Side Board parts, the above picture is to help you put the various parts into perspective. Please read through the instruction below to familiarise yourself with the parts and steps before assembly.

Step 1



Unpack and place all part on a clean, non-marring surface

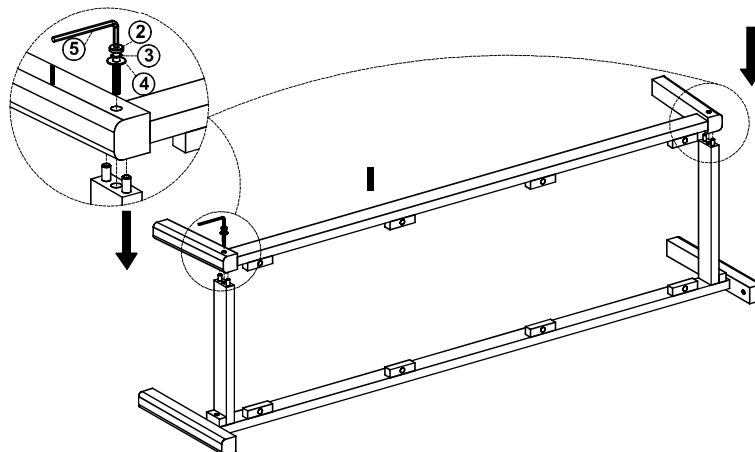
Step 2



Place the Front Leg Frame (J) and the Left Support Rail (L) and the Right Support Rail (M) on a carpeted surface. Attach the Support Rail (L),(M) to the Front Leg Frame (J) using Bolt (①) and Lock Washer (③) and Flat Washer (④) with Allen Wrench (⑤) as shown in the picture.

Do not fully tighten the Bolts

Step 3

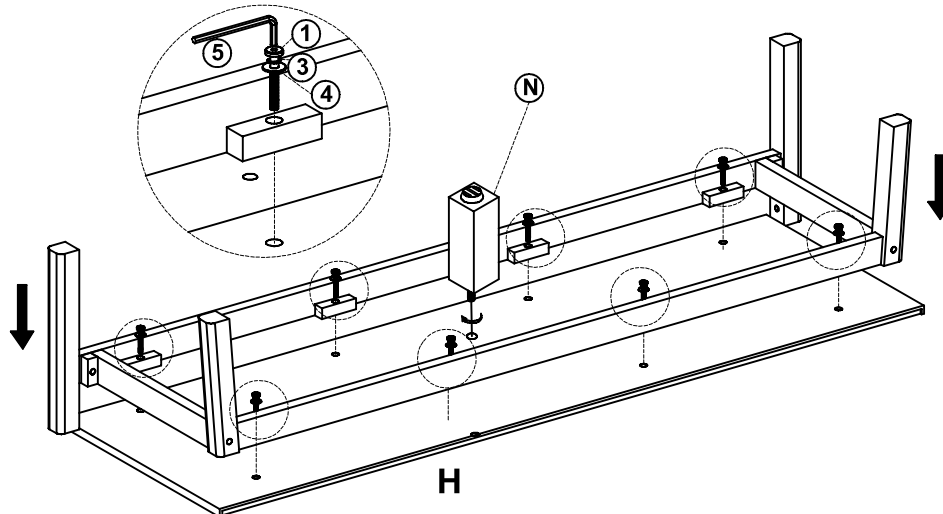


Place the back Leg Frame (I) on a carpeted surface.

Attach the Support Rail (L),(M),Front Leg Frame (J)to the Back Leg (I) using Bolt (②) and Lock Washer (③) and Flat Washer (④) with Allen Wrench (⑤) as shown in the picture.

Do not fully tighten the Bolts

Step 4

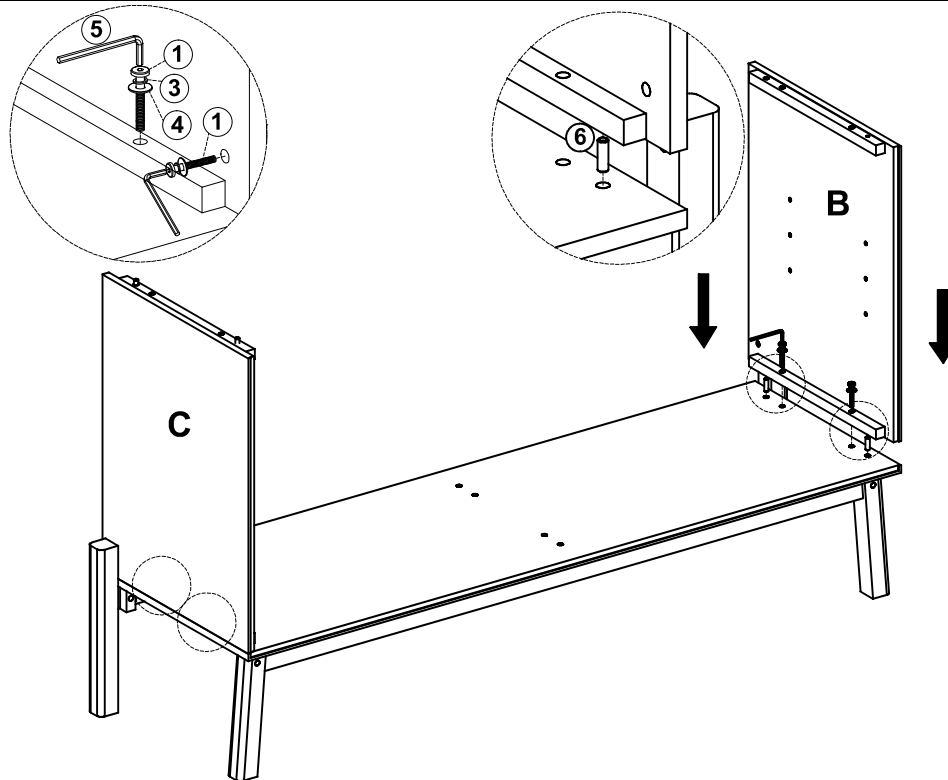


Place the Leg side board on a carpeted surface.

Attach the S Leg side board, Middle Leg (N) to the Bottom Panel (H) using Bolt (①) and Lock Washer (③) and Flat Washer (④) with Allen Wrench (⑤) as shown in the picture.

FULLY TIGHTEN ALL THE BOLTS

Step 5

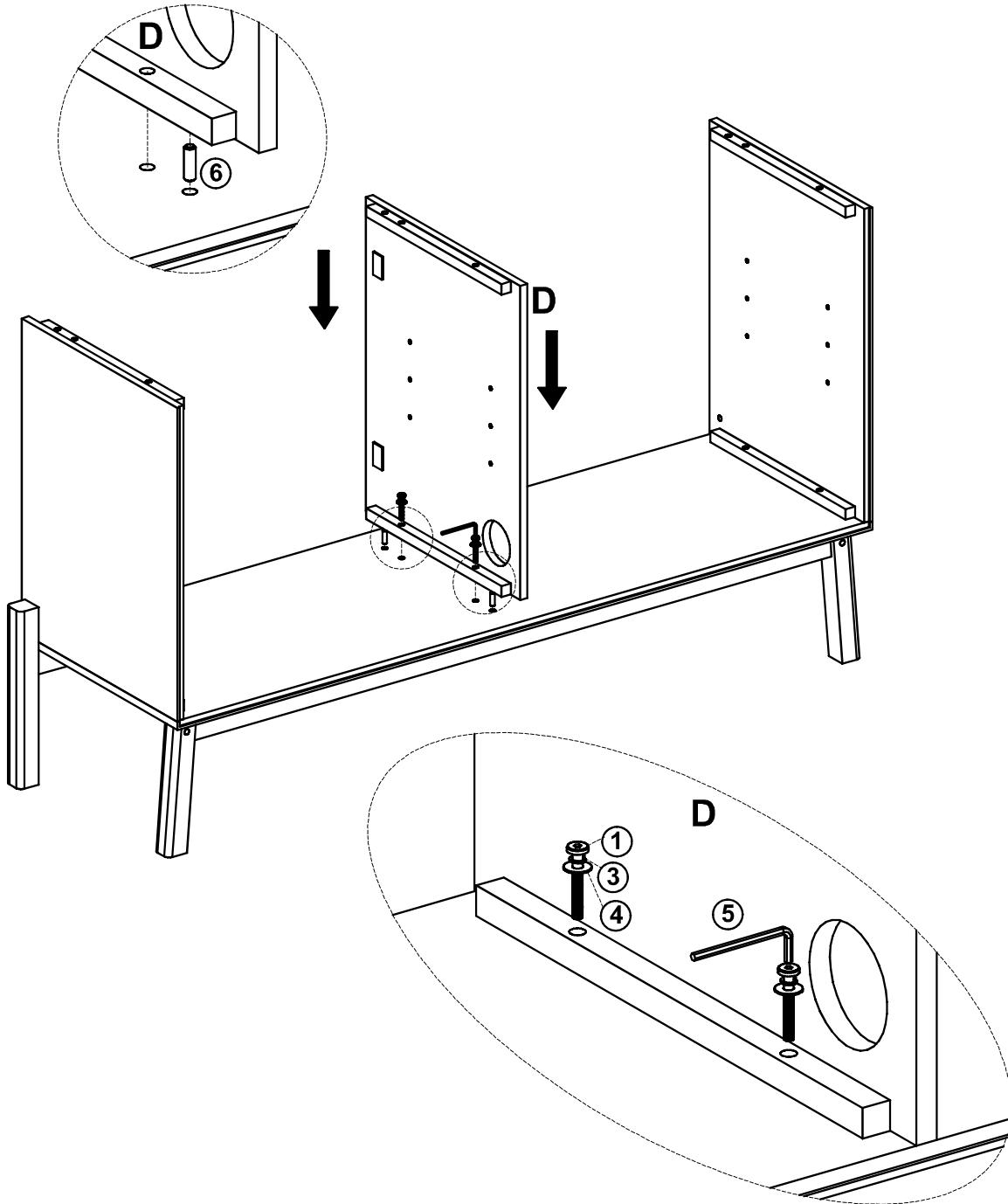


Place the Leg side board , Bottom panel on a carpeted surface.

Attach the Leg side board , Bottom panel to the Left Panel (B) , Right Panel (C) using Wooden Dowel (⑥) , Bolt (①) and Lock Washer (③) and Flat Washer (④) with Allen Wrench (⑤) as shown in the picture.

Do not fully tighten the Bolts

Step 6

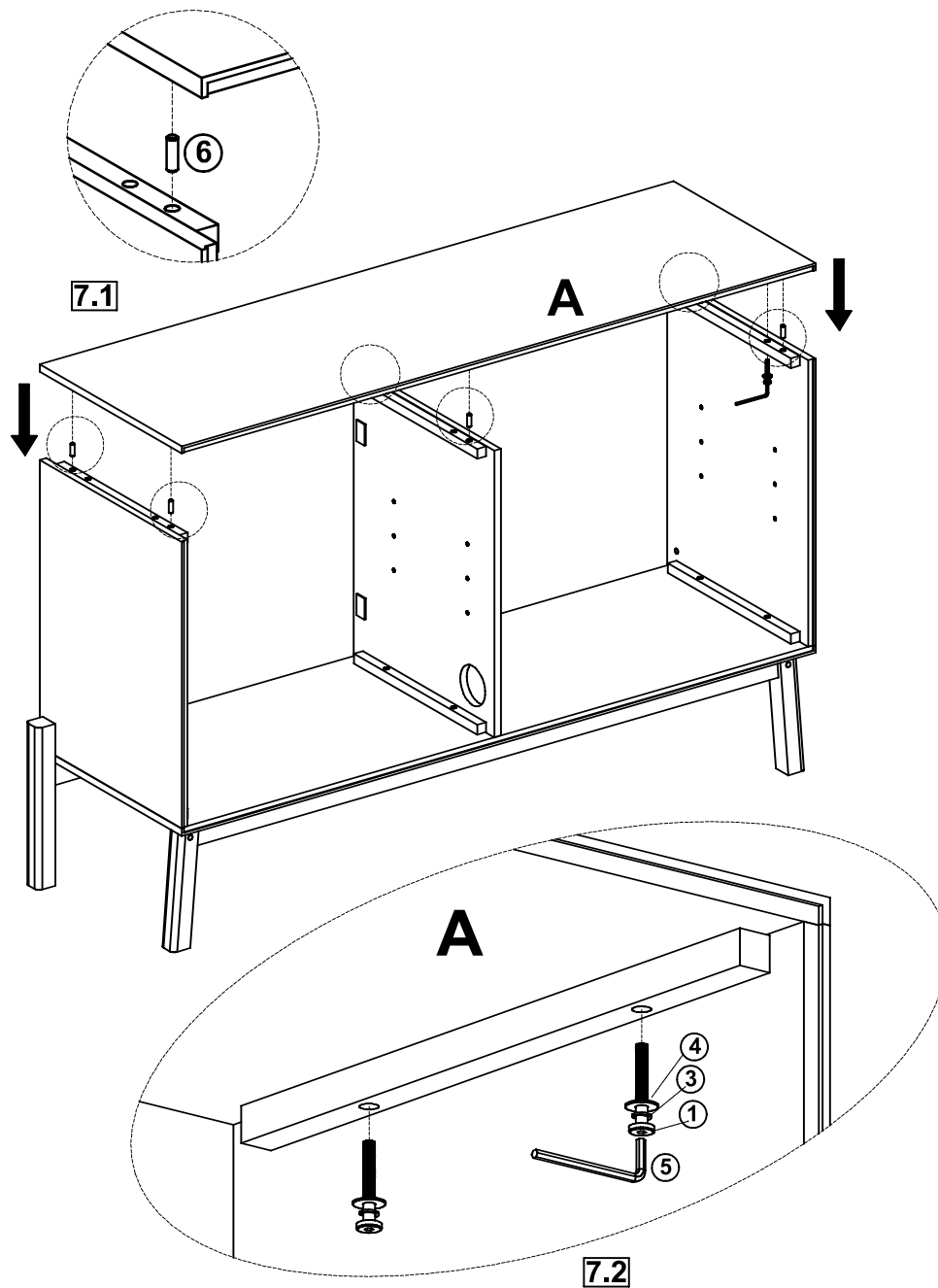


Place the Leg side board , Bottom panel on a carpeted surface.

Attach the Leg side board , Bottom panel to the Middle Panel (D) using Wooden Dowel (6) , Botl (①) and Lock Washer (③) and Flat Washer (④) with Allen Wrench (⑤) as shown in the picture.

Do not fully tighten the Bolts

Step 7

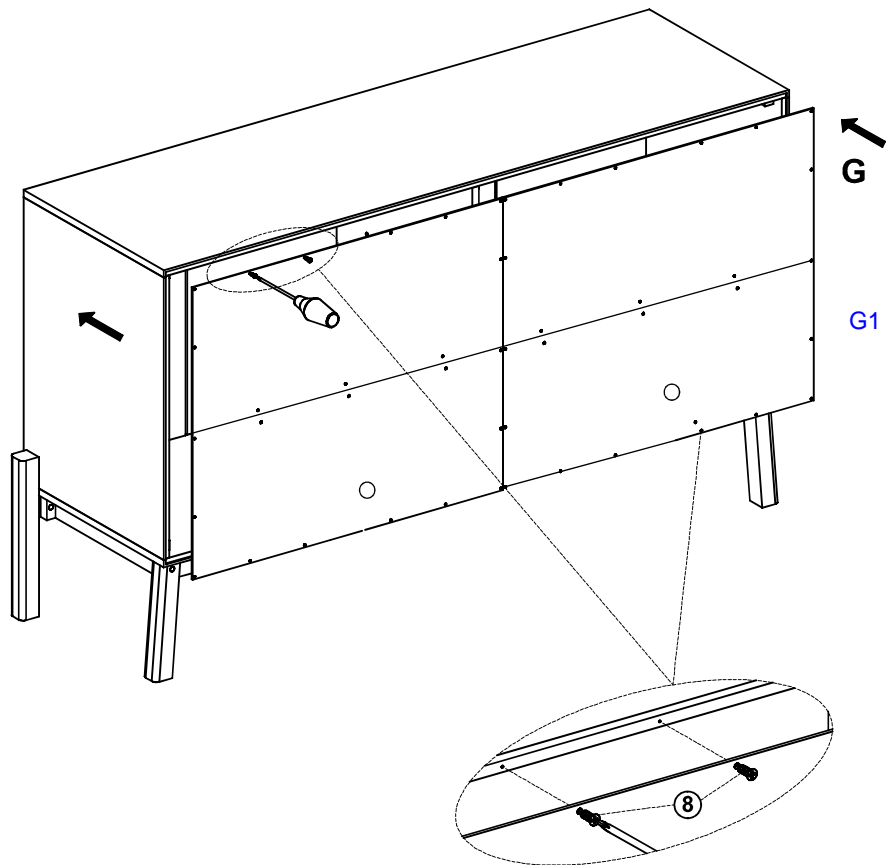


Place the Bottom side board on a carpeted surface.

Attach the Bottom side board to the Top Panel (A) using Wooden Dowel (6), Bolt (1) and Lock Washer (3) and Flat Washer (4) with Allen Wrench (5) as shown in the picture.

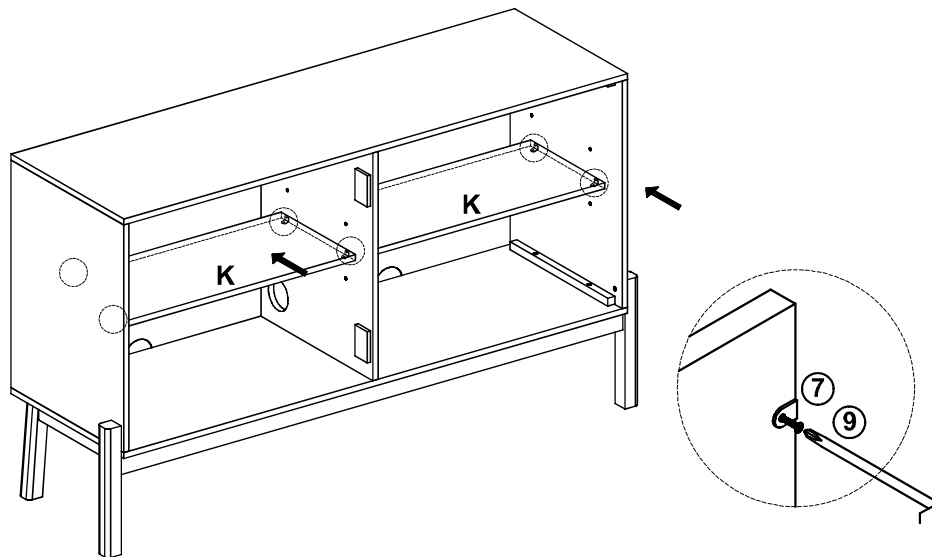
FULLY TIGHTEN ALL THE BOLTS

Step 8

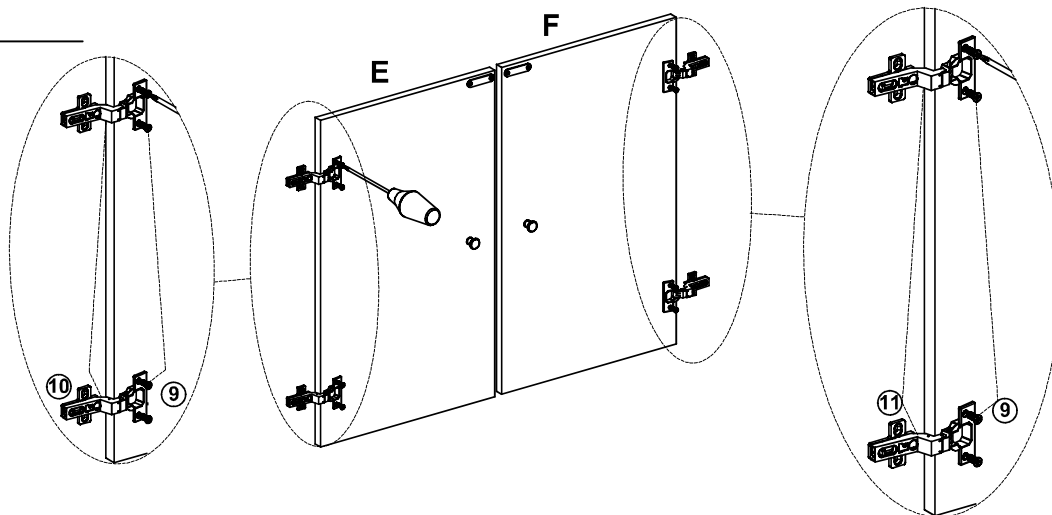


Place the side board on a carpeted surface.
Attach the side board to the Back Panel (G), (G1) using Short Screw (⑧) as shown in the picture.

Step 9

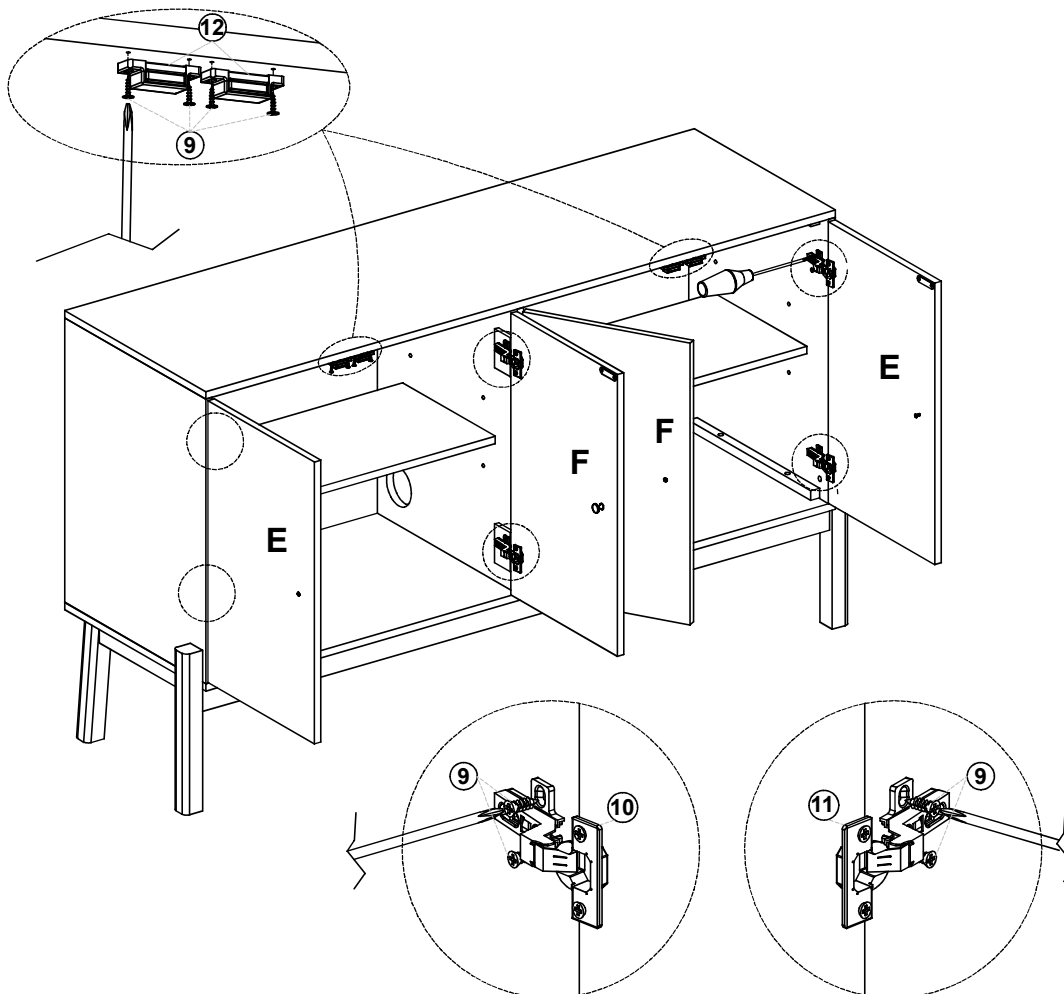


Place the side board on a carpeted surface.
Attach the side board to the Shelf Panel (K) using Short Screw (⑨), Patch (7) as shown in the picture.



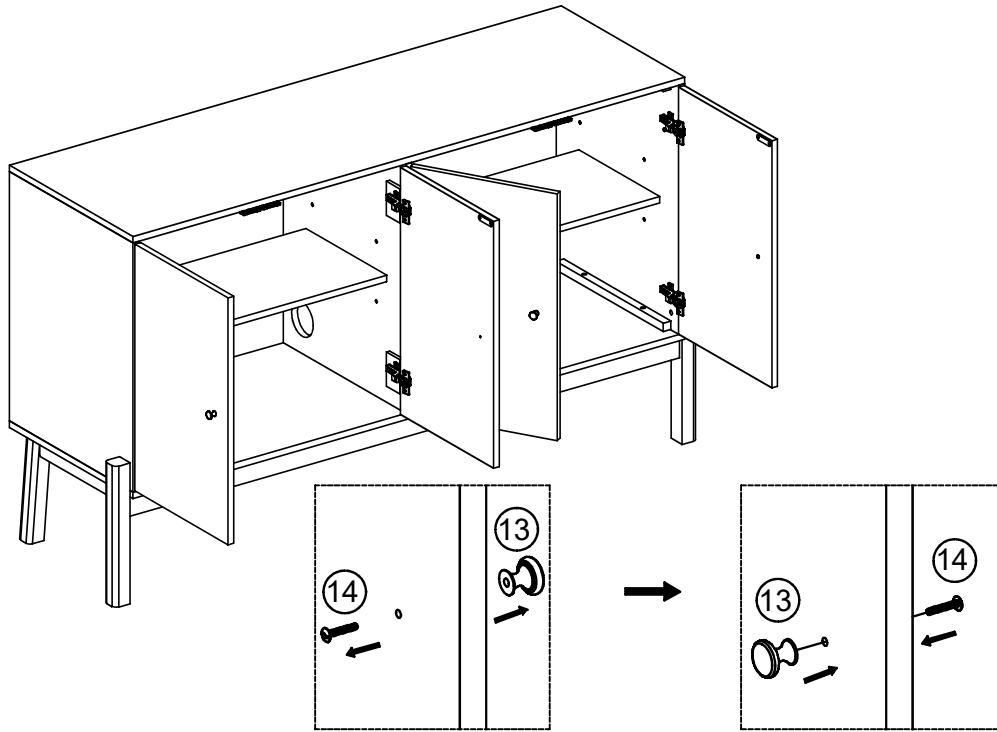
Place the Left Door (E) , Right Door (F) on a carpeted surface.
 Attach the Left Door (E) , Right Door (F) to the Damper Hinge - Left (10)/ Right (11) using Short Screw (9) as shown in the picture.

Step 11



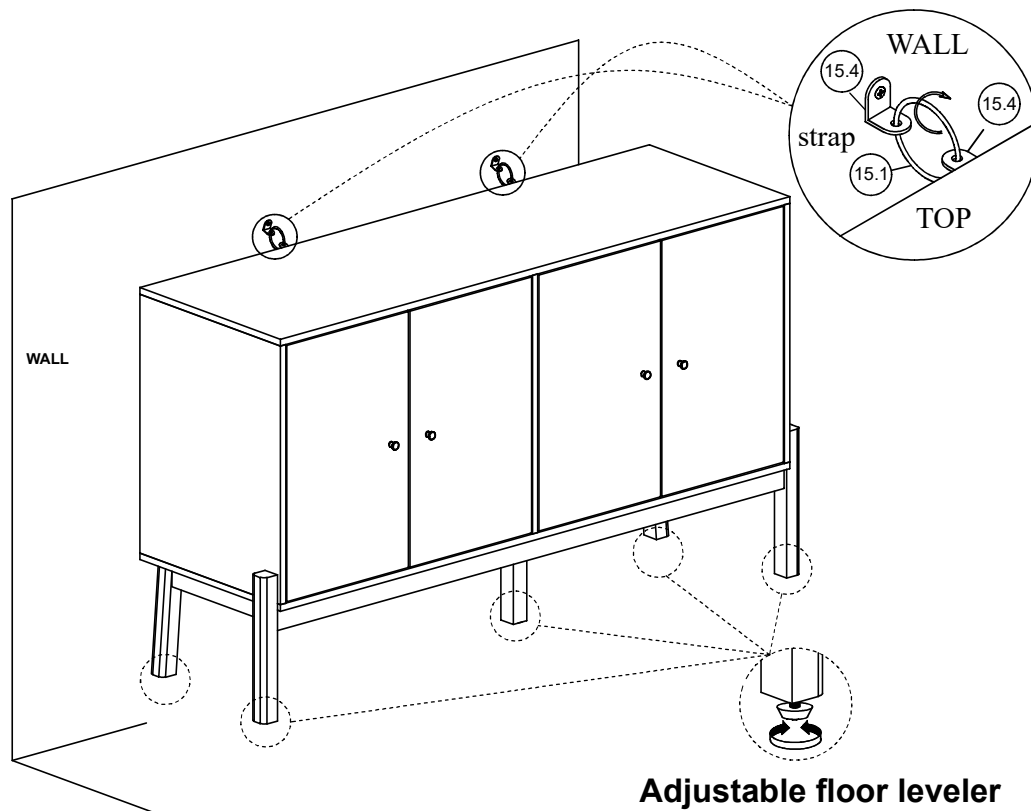
Place the side board on a carpeted surface.
 Attach the side board to the Left Door (E) , Right Door (F) , Magnetic Clasp (12) using Short Screw (9) as shown in the picture.

Step 12



Handles intentionally placed backwards for shipping purposes.
Please remove and re-install as pictured.

Step 13



Part Enclosed/Material Fourni/Partes incluidas Installation Instructions
The tip restraint must be attached to a wall stud using the 2" screw enclosed

”Questions & Answers about Proposition 65

- What is Proposition 65?

Proposition 65 requires businesses to provide warnings to Californians about significant exposures to chemicals that cause cancer, birth defects or other reproductive harm. These chemicals can be in the products that Californians purchase, in their homes or workplaces, or that are released into the environment. By requiring that this information be provided, Proposition 65 enables Californians to make informed decisions about their exposures to these chemicals.

Proposition 65 also prohibits California businesses from knowingly discharging significant amounts of listed chemicals into sources of drinking water.

Proposition 65 requires California to publish a list of chemicals known to cause cancer, birth defects or other reproductive harm. This list, which must be updated at least once a year, has grown to include approximately 900 chemicals since it was first published in 1987.

- What types of chemicals are on the Proposition 65 list?

The list contains a wide range of naturally occurring and synthetic chemicals that include additives or ingredients in pesticides, common household products, food, drugs, dyes, or solvents. Listed chemicals may also be used in manufacturing and construction, or they may be byproducts of chemical processes, such as motor vehicle exhaust. ”