

CARE AND MAINTENANCE

Always use felt pads under all articles to prevent discoloration or softening of the lacquer. Plastic and rubber bases on items can discolor wood. Wipe up spills immediately and avoid common hazards such as hot dishes, harsh solvents and abrasives. Cleaning should be done with a soft lint free cotton cloth dampened with water or furniture polish. On highly used surfaces we recommend applying a quality paste wax which should be used on a regular basis to provide additional protection from scratches and spills. How often you apply the wax depends on how much wear furniture receives.

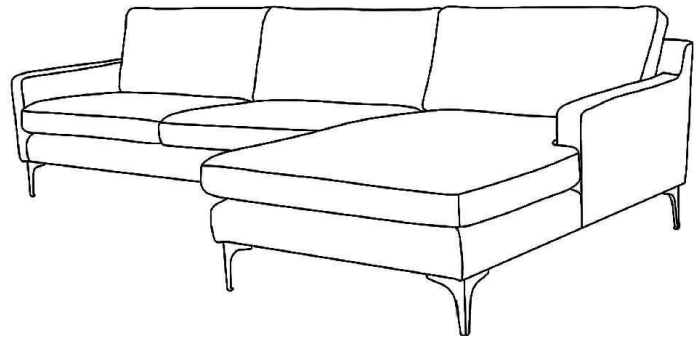
NOTICE

*Please make sure that you have all parts indicated before you begin assembly of this item

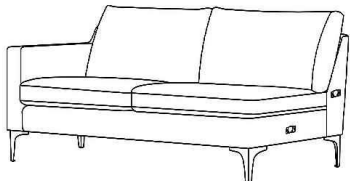




*This item should be assembled on a soft surface to prevent scratching the finish during assembly

*This item may require periodic tightening

Product Dimensions(cm):304W x 166D x 830H



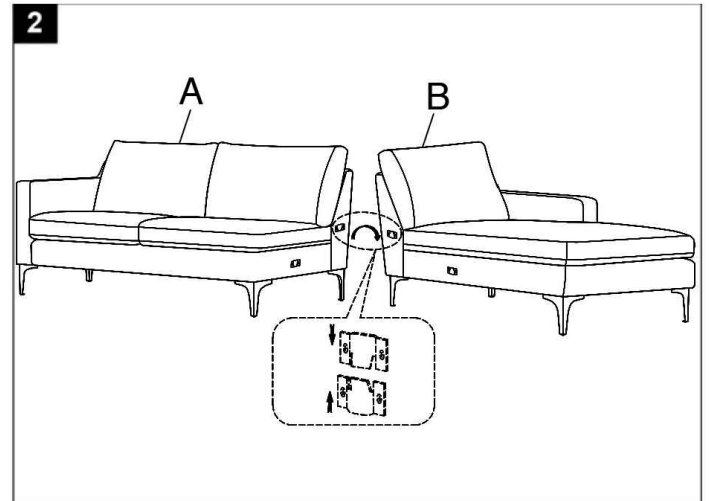
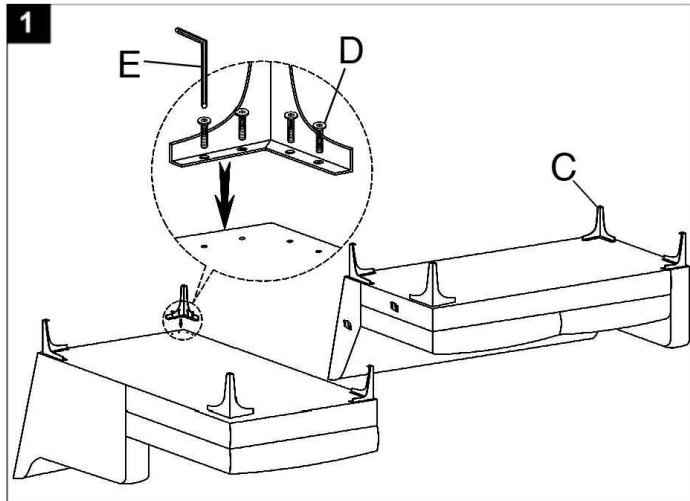
Part List

PIECE	DESCRIPTION	PICTURE	QUANTITY
A	Sofa 3S		X1
B	Sofa Chaise		X1
C	Legs		X8
D	Bolt		X32
E	Allen key		X2

PREPARATION

Before beginning assembly of product, make sure all parts are present. Compare parts with package contents list if any part is missing or damaged. Do not attempt to assemble the product.

Estimated Assembly Time: 15 minutes.



Carefully place the chair base (A & B) upside down on a clean and non-marring surface. Attach the legs (C) in placed at bottom of chair base with allen bolts (D) using allen key (E). Then place the item in standing position and ready to use.