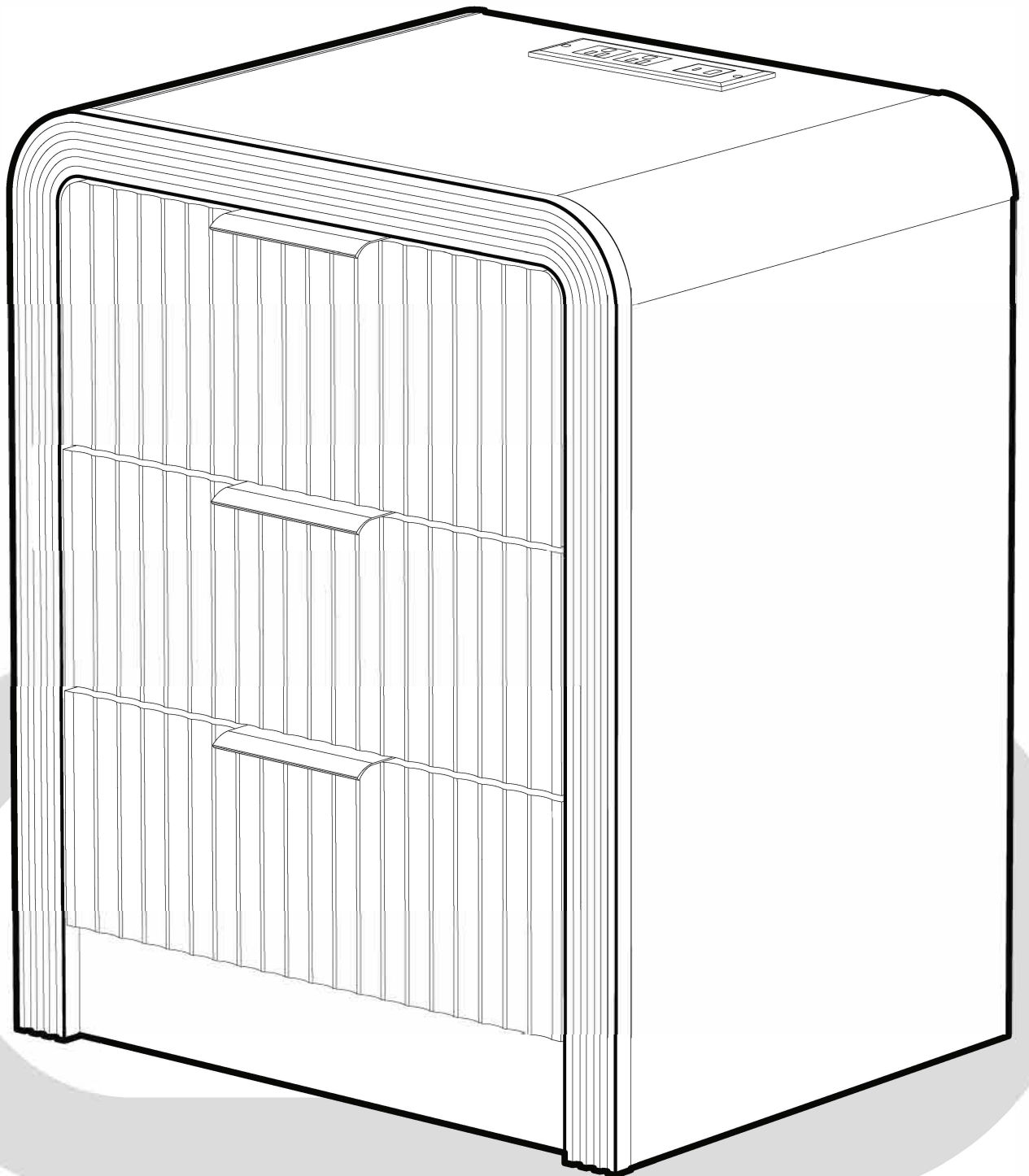


ASSEMBLY INSTRUCTIONS



24/7
Service

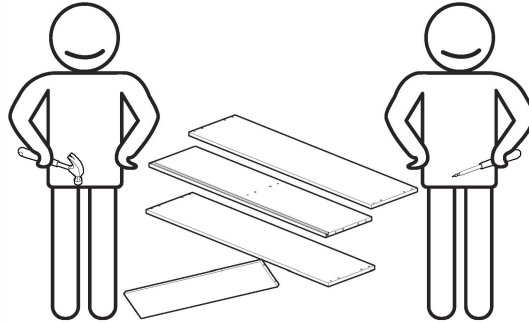
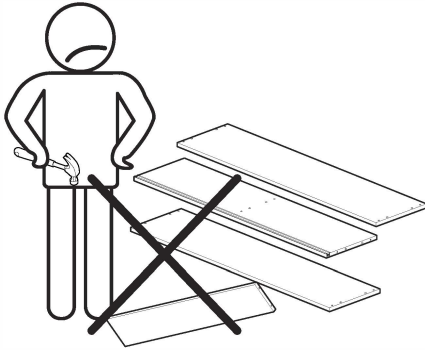
Any other questions, contact us. We provide 24/7 online service with dedicated one-on-one expert support for all your inquiries.

WARNING

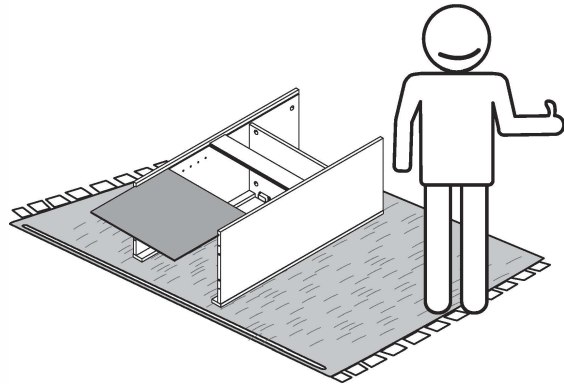
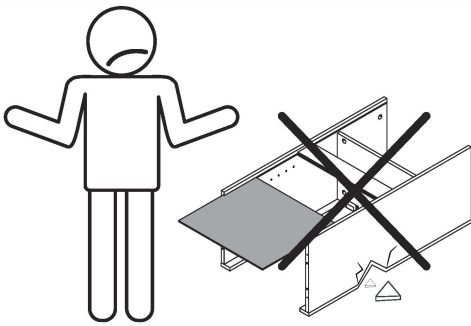


Children have died from furniture tip-over. To reduce the risk of furniture tip-over:

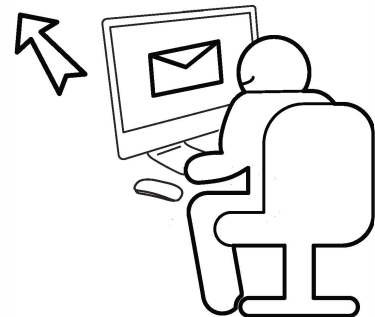
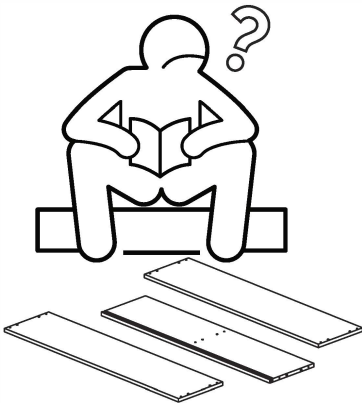
- NEVER allow children to stand, climb or hang on drawers, doors, or shelves.
- NEVER open more than one drawer at a time.
- Place heaviest items in the lowest drawer.
- Read and follow all assembly instructions.



We recommend at least 2 people for the assembly.



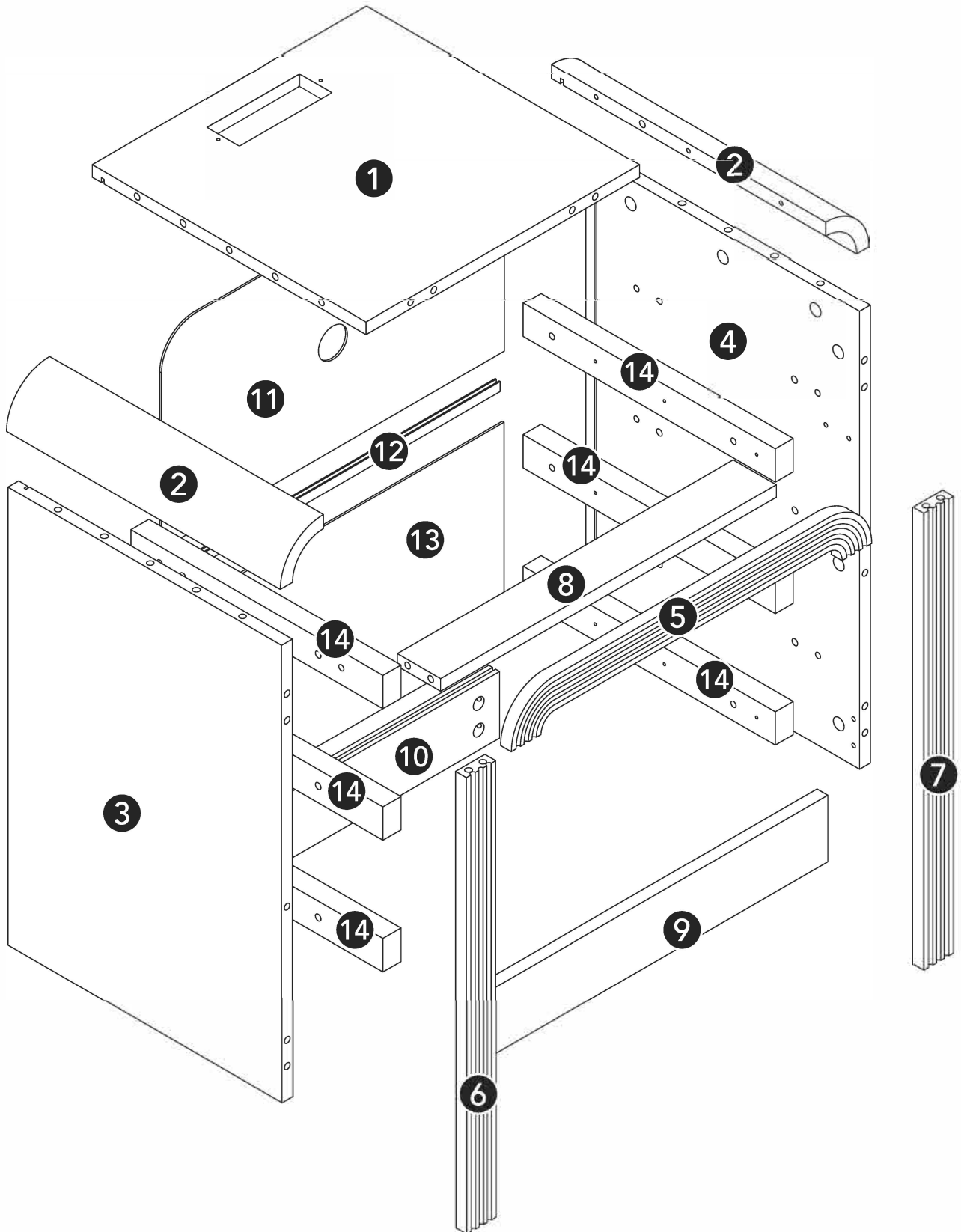
To prevent any damage during assembly, place a mat under the pieces.

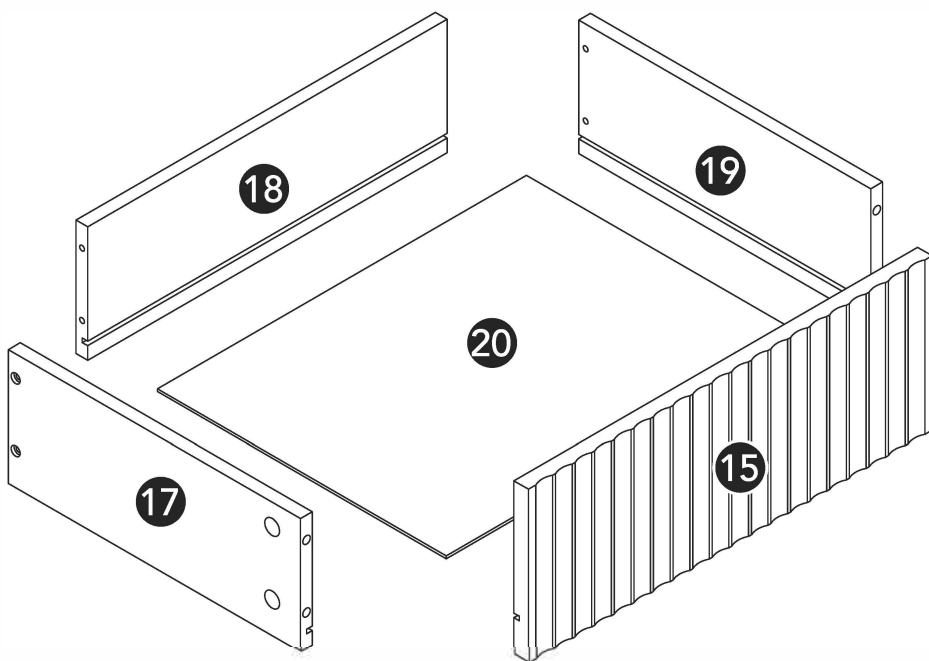
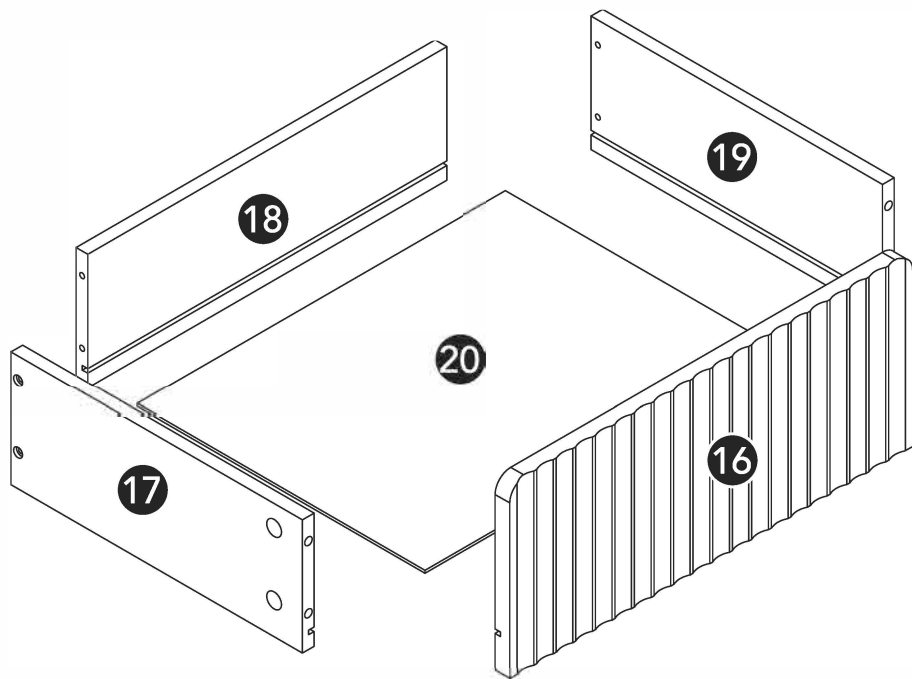


Any questions concerning assembly, contact us via email.

PARTS DIAGRAM

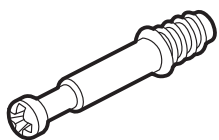
Check if all parts and hardware are included. Contact us via email if there is any part missing or damaged.





x 2

HARDWARES



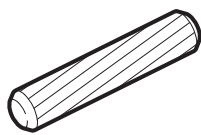
M6x35mm

A x 46



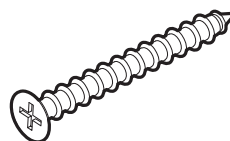
M15x10mm

B x 46



Ø8x30mm

C x 28



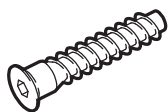
M4x35mm

D x 12



M3x12mm

E x 44

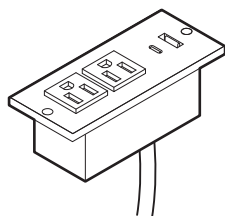


M7x30mm

F x 12



G x 6

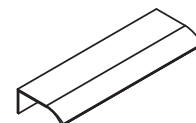


H x 1

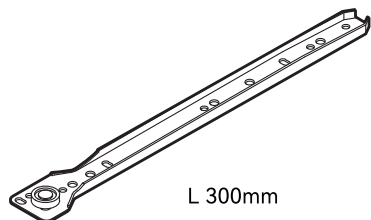


Ø20mm

I x 46

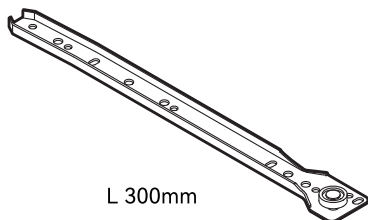


J x 3



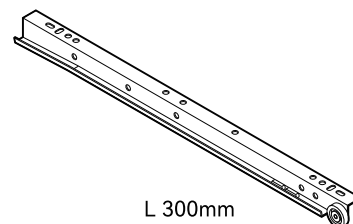
L 300mm

CL x 3



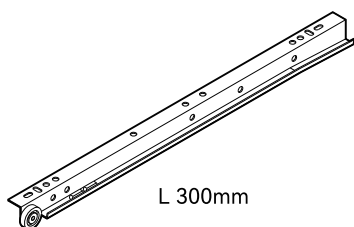
L 300mm

CR x 3



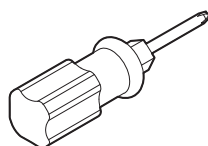
L 300mm

DL x 3

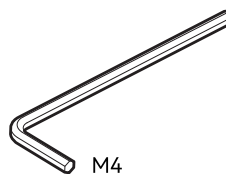


L 300mm

DR x 3



x 1



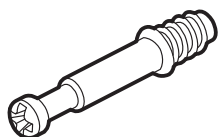
M4

x 1

SPARE PARTS



The spare parts are the additional parts provided in case of missing or damaged ones. Keep the spare parts and tools for future use.



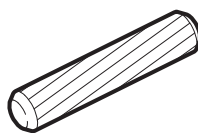
M6x35mm

A x 3



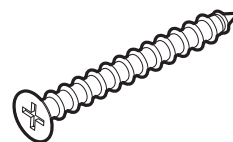
M15x10mm

B x 3



Ø8x30mm

C x 3



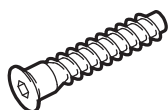
M4x35mm

D x 2



M3x12mm

E x 3



M7x30mm

F x 2



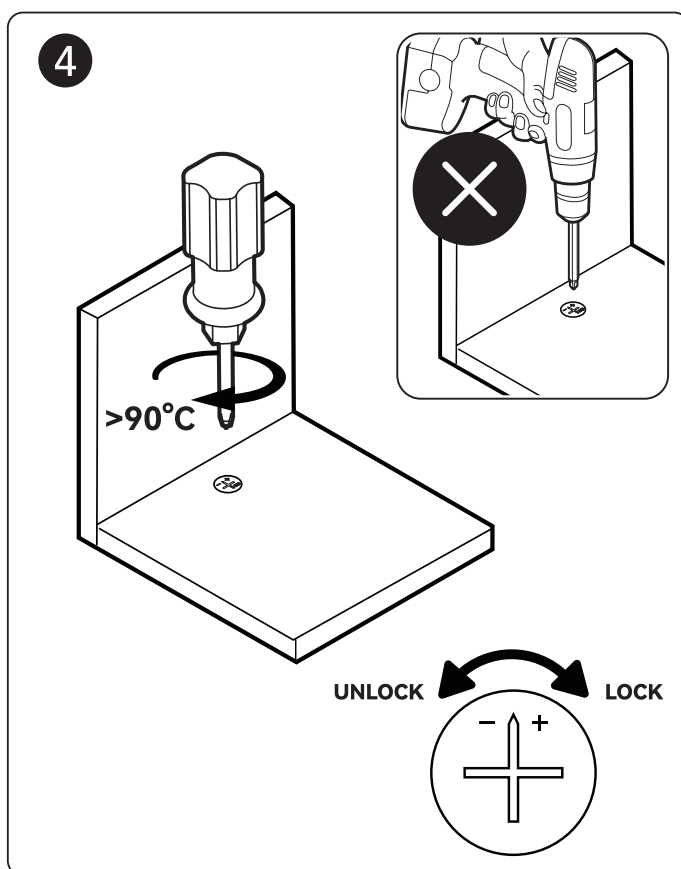
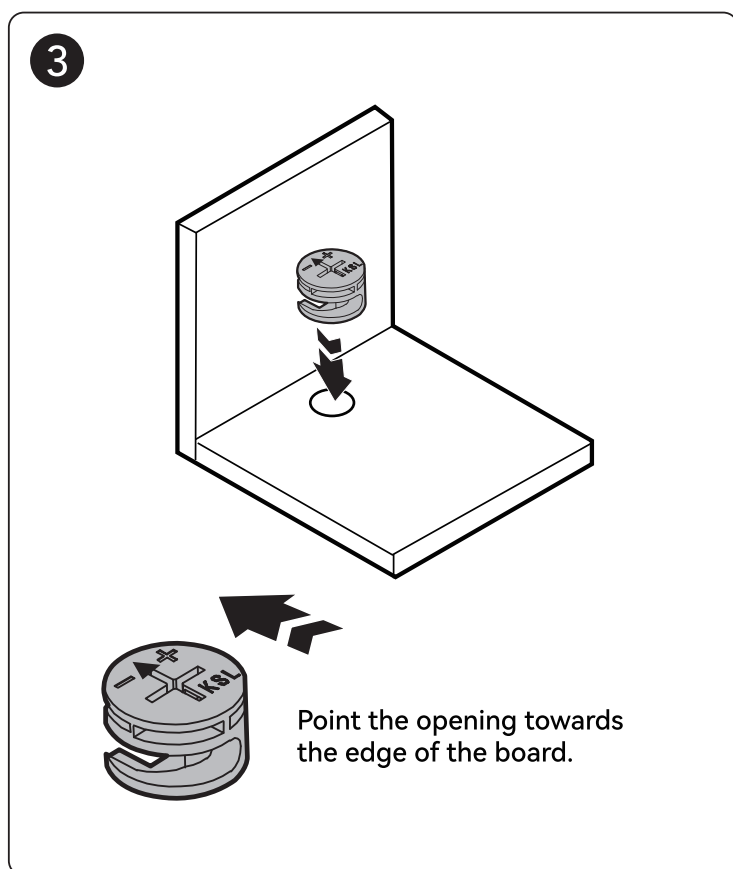
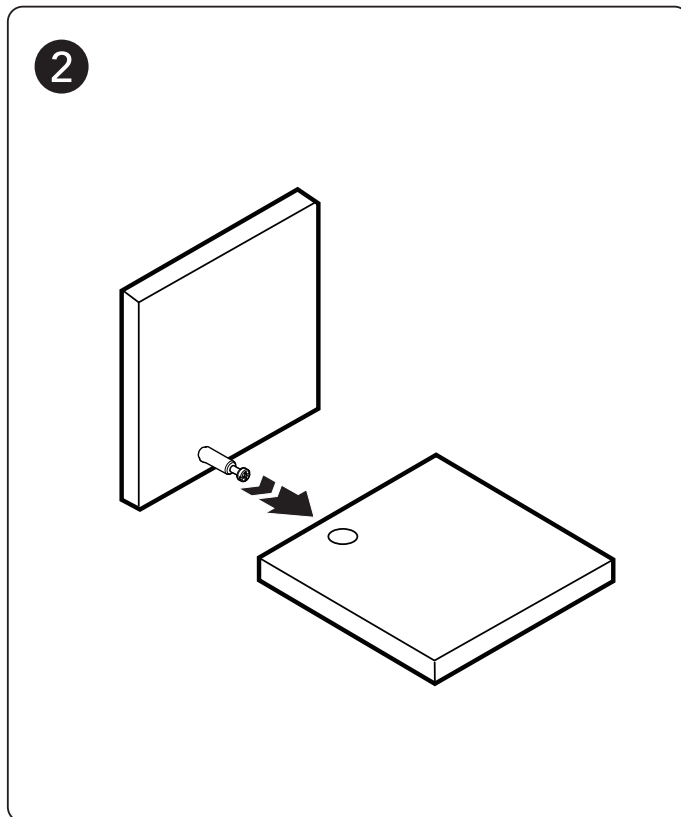
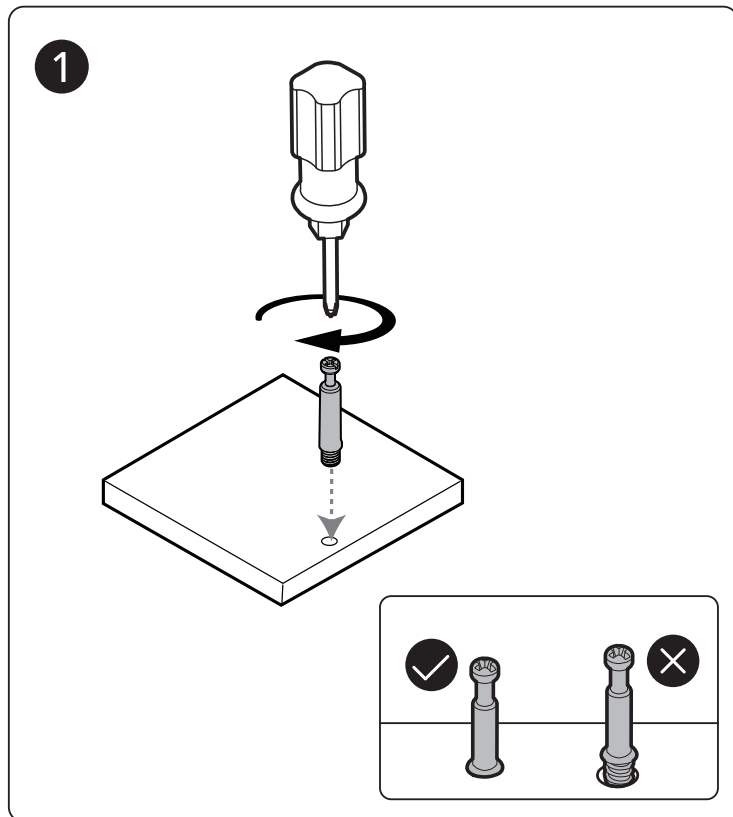
Ø20mm

I x 3

CAM LOCK FASTEN SYSTEM

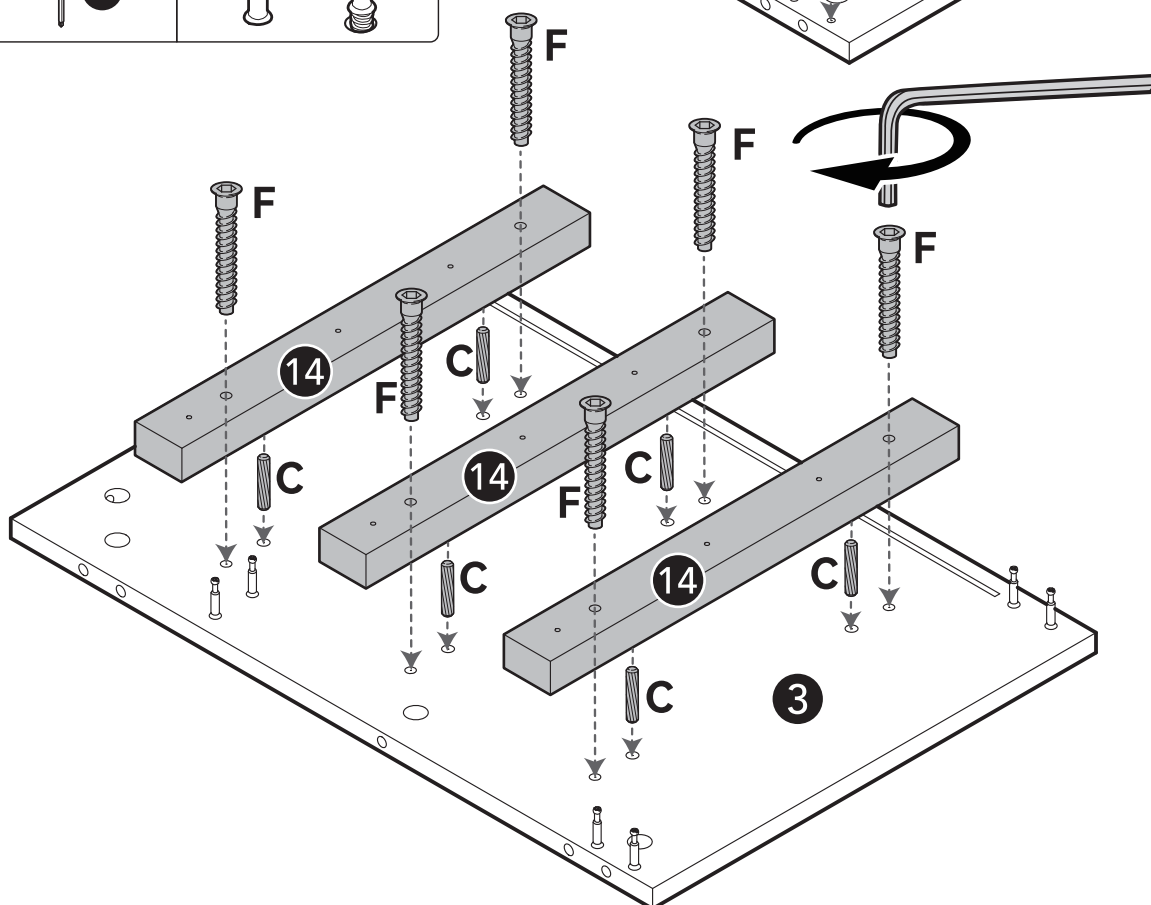
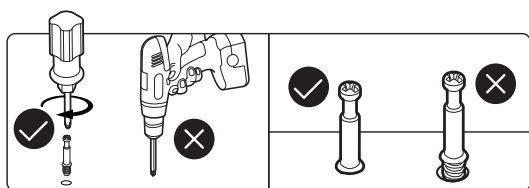
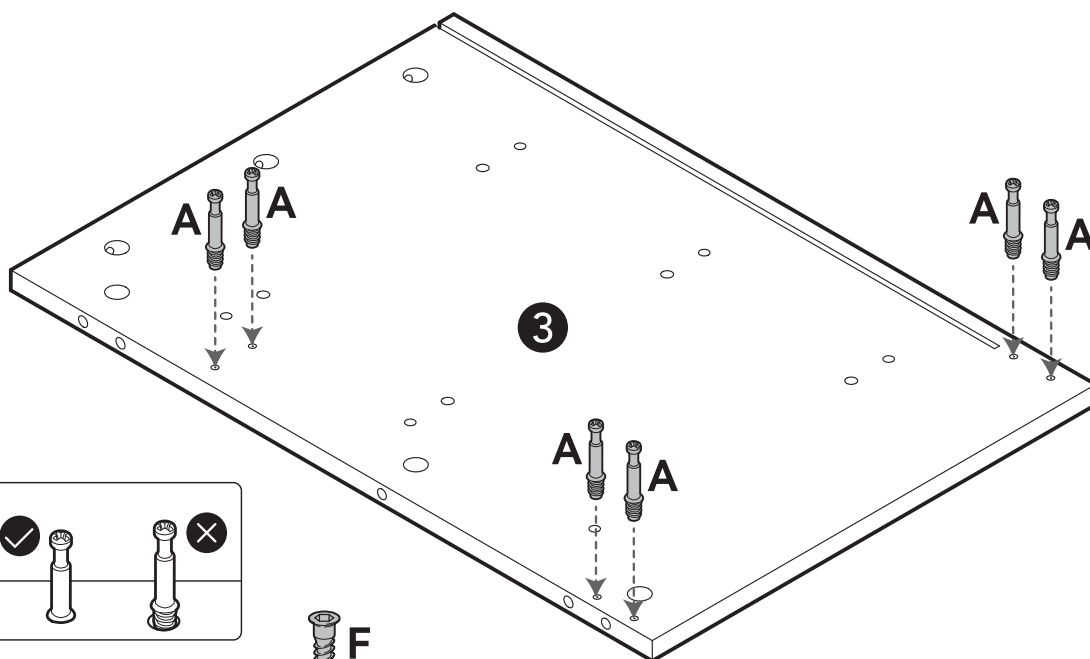
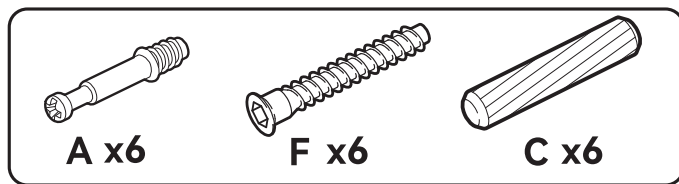


Insert the cam bolt into the hole, then insert the cam lock and tighten.

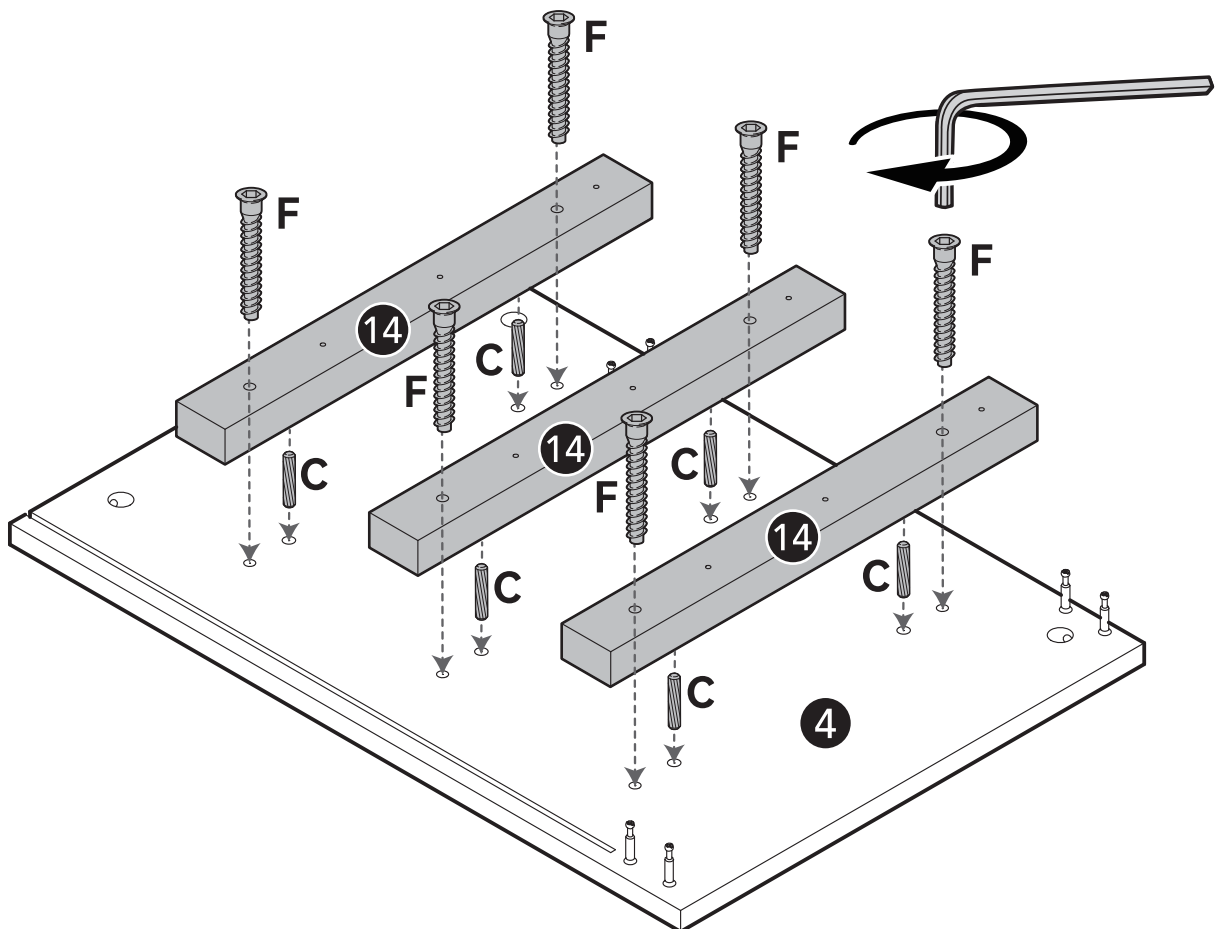
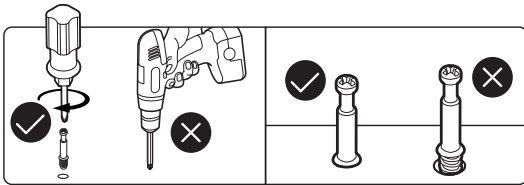
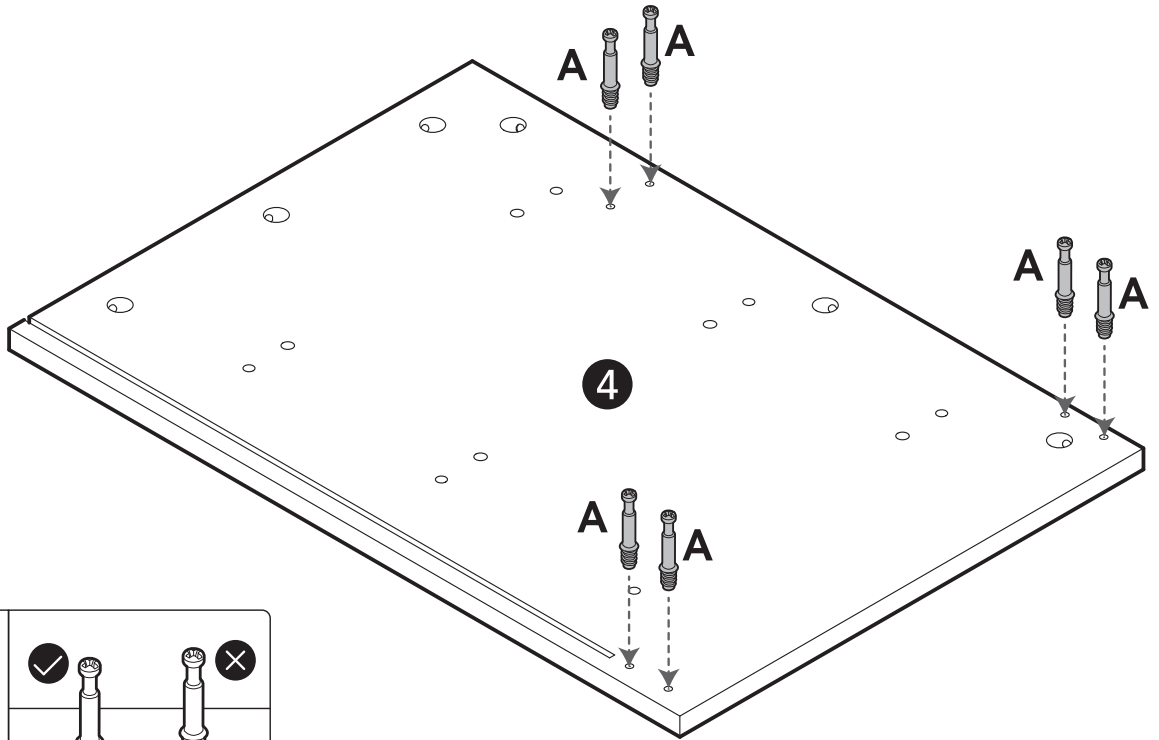
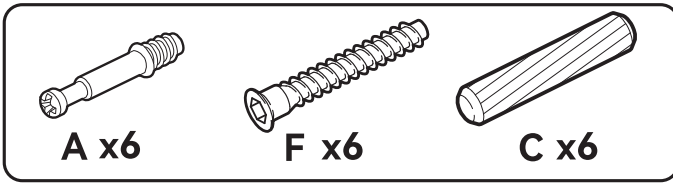


ASSEMBLY

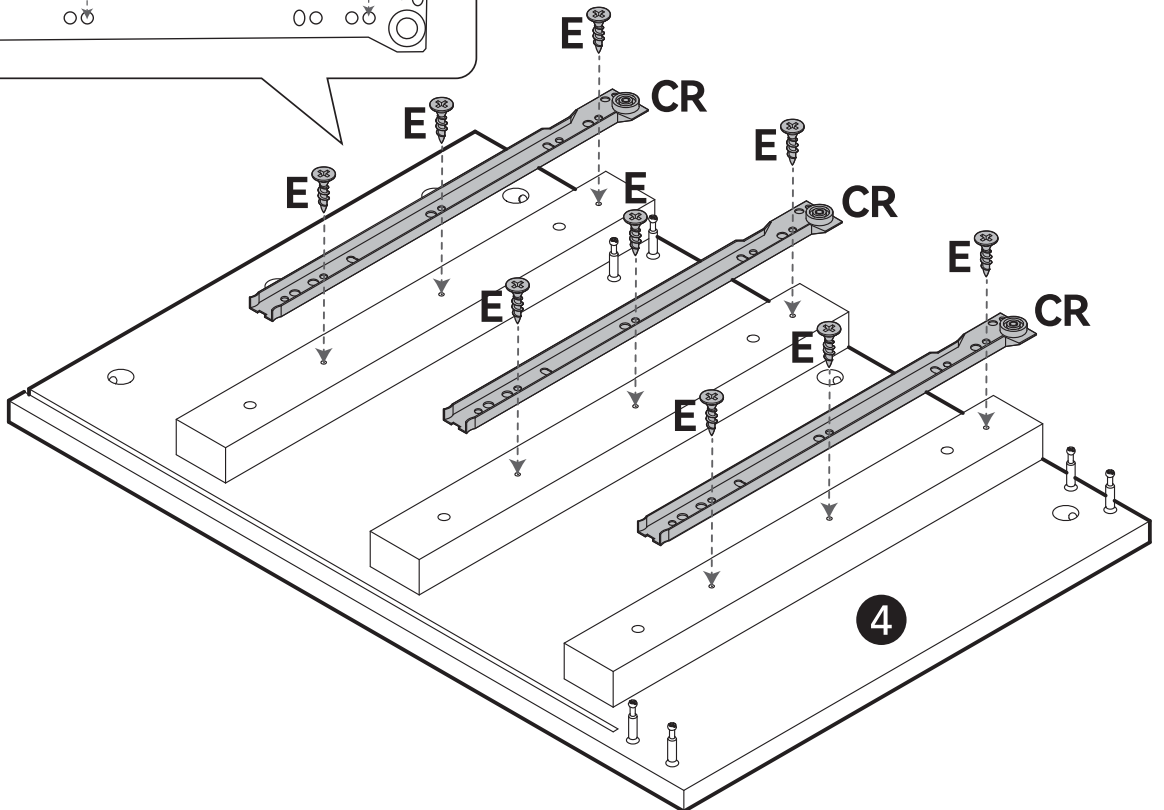
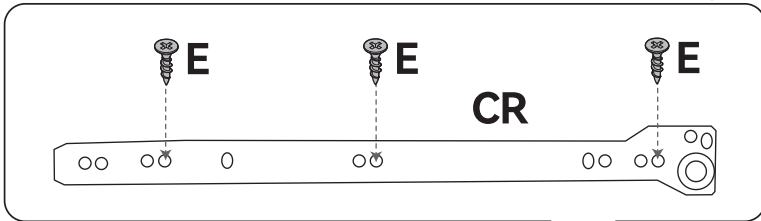
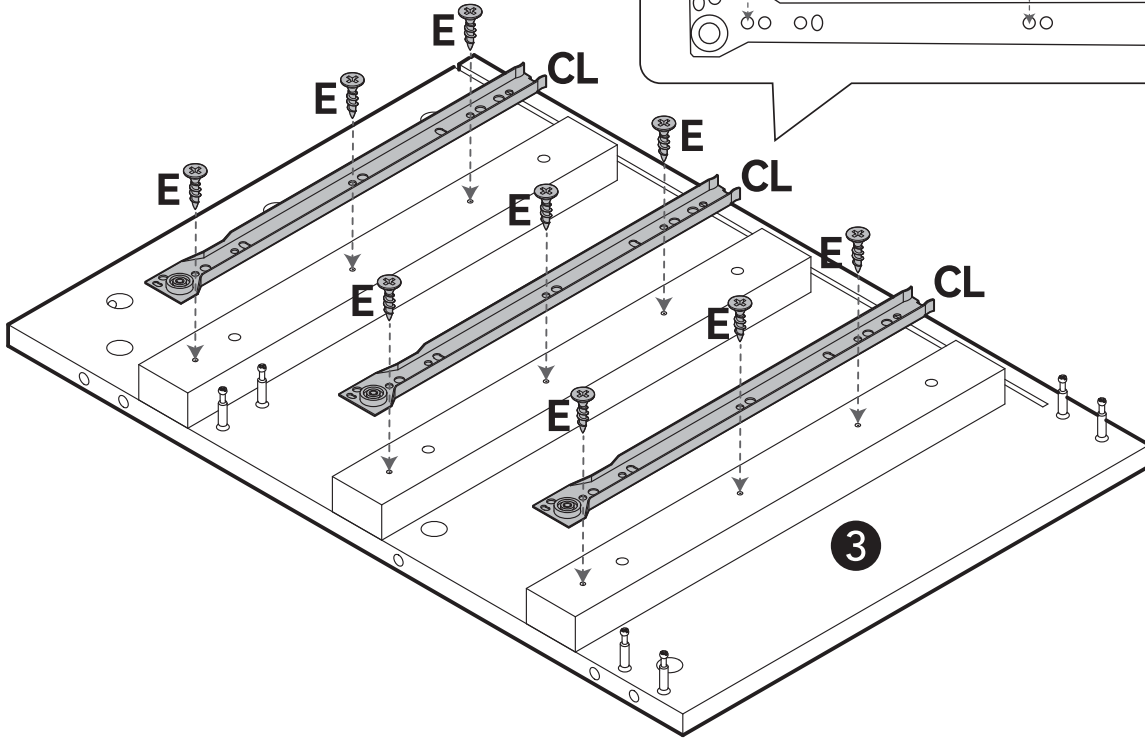
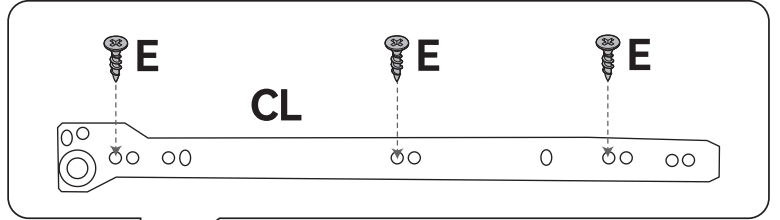
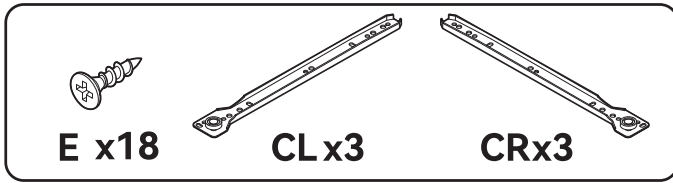
1



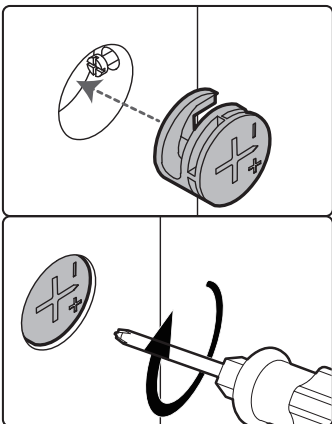
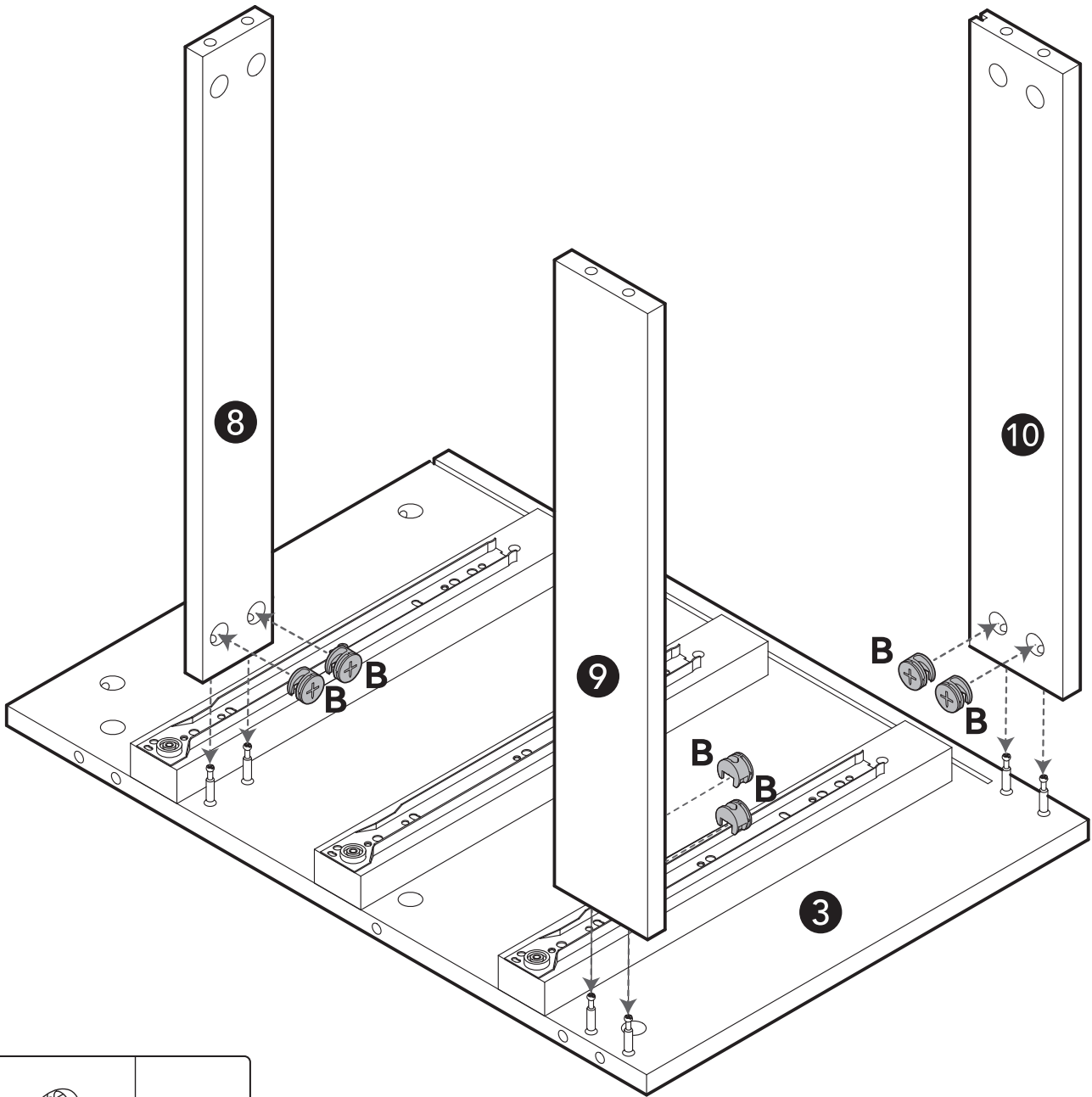
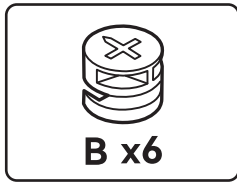
2



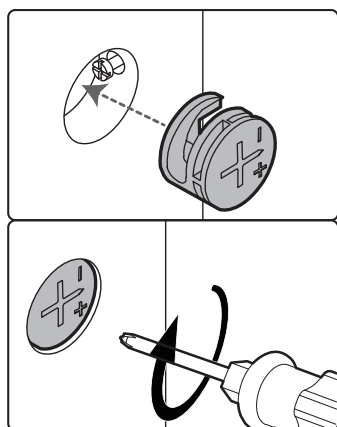
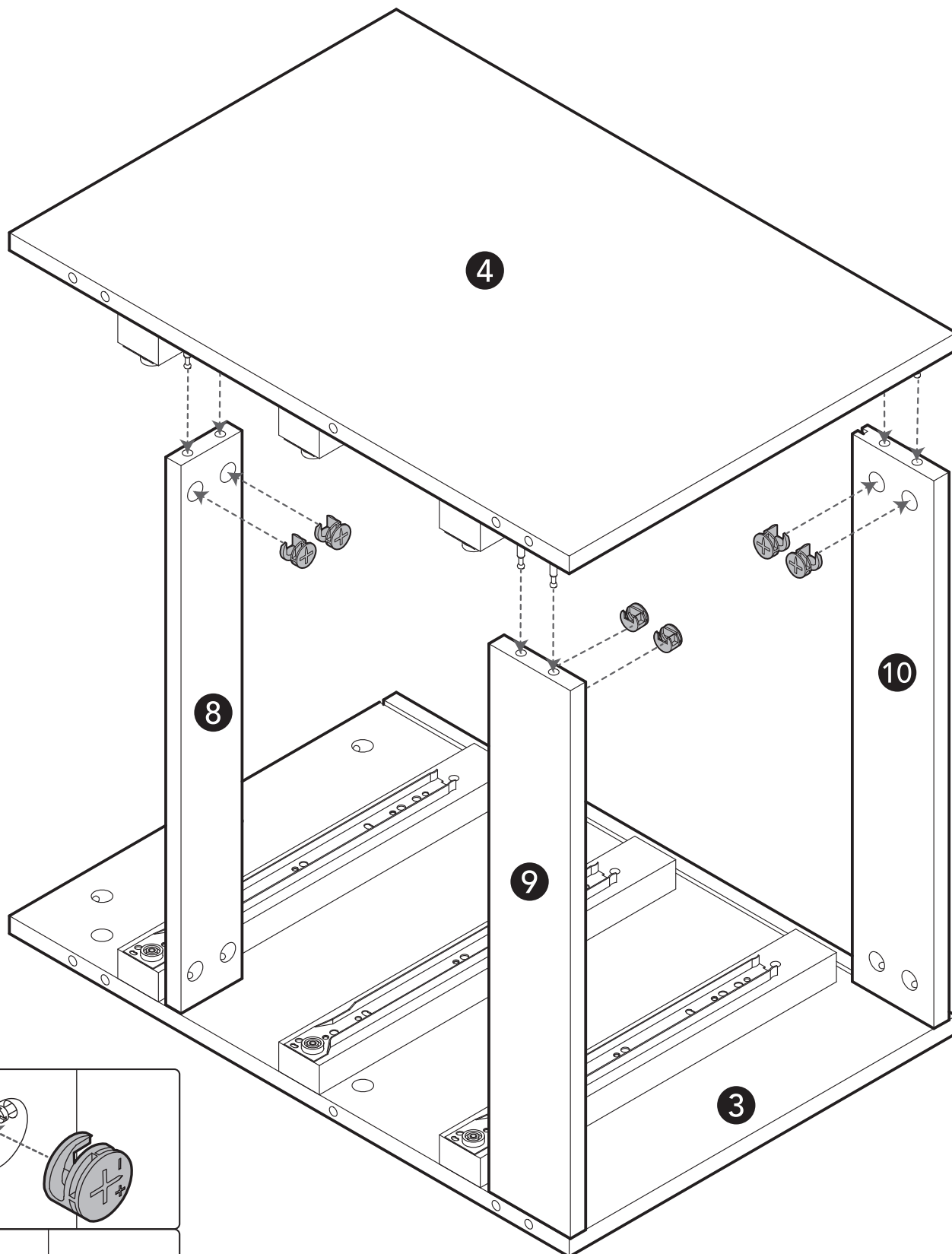
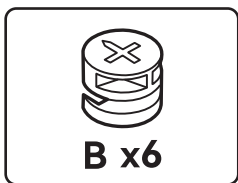
3



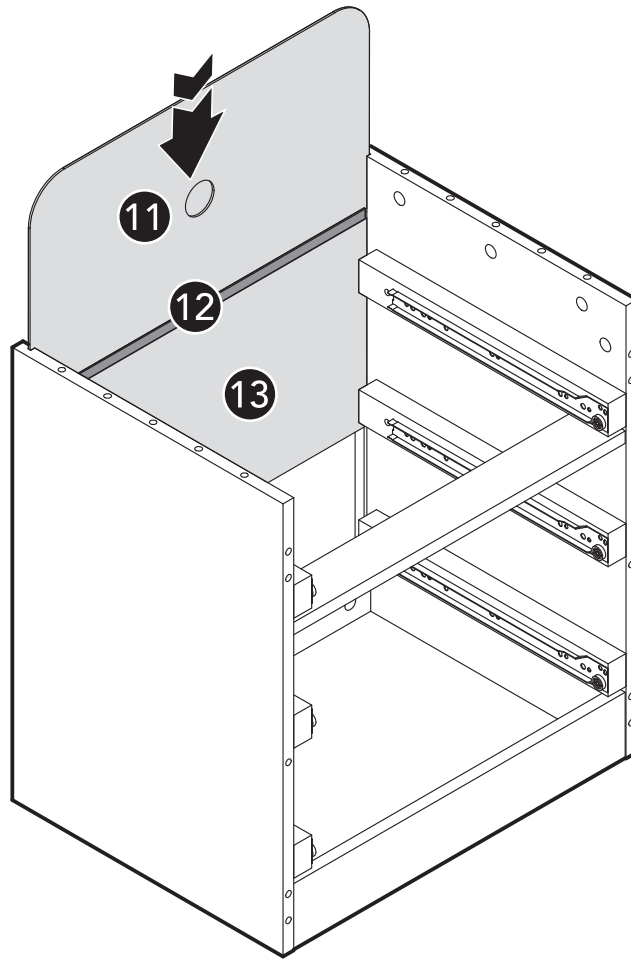
4



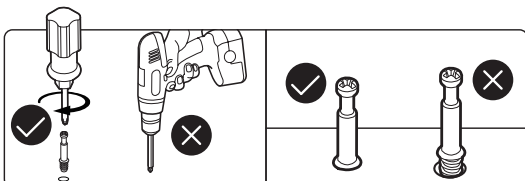
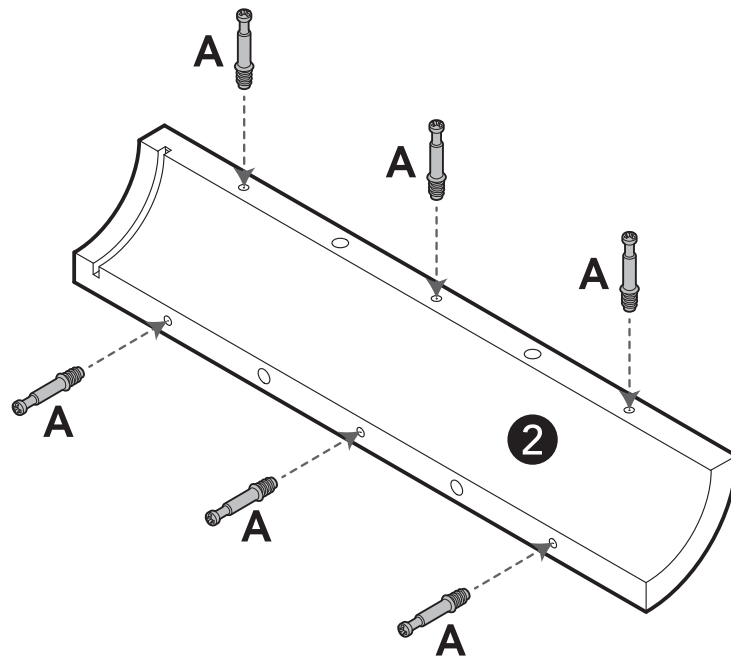
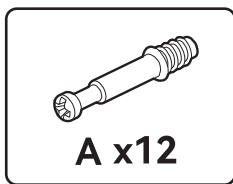
5



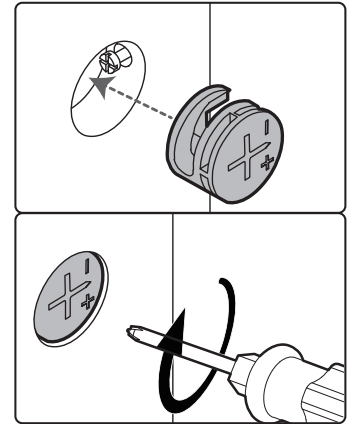
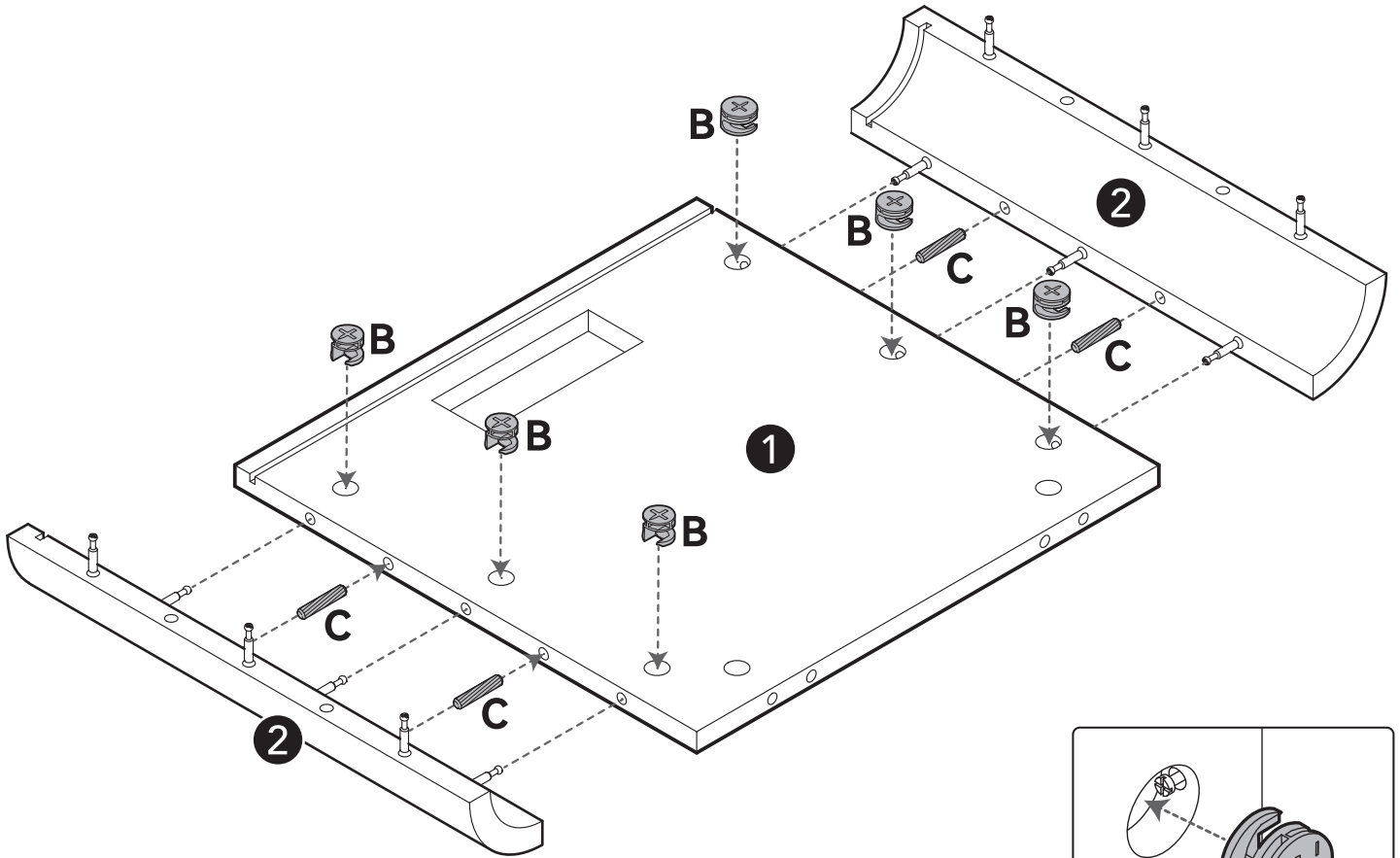
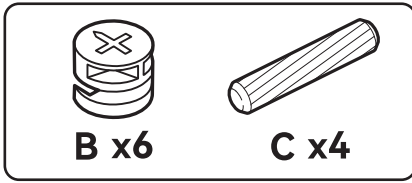
6



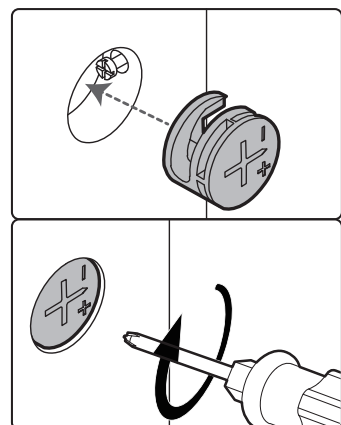
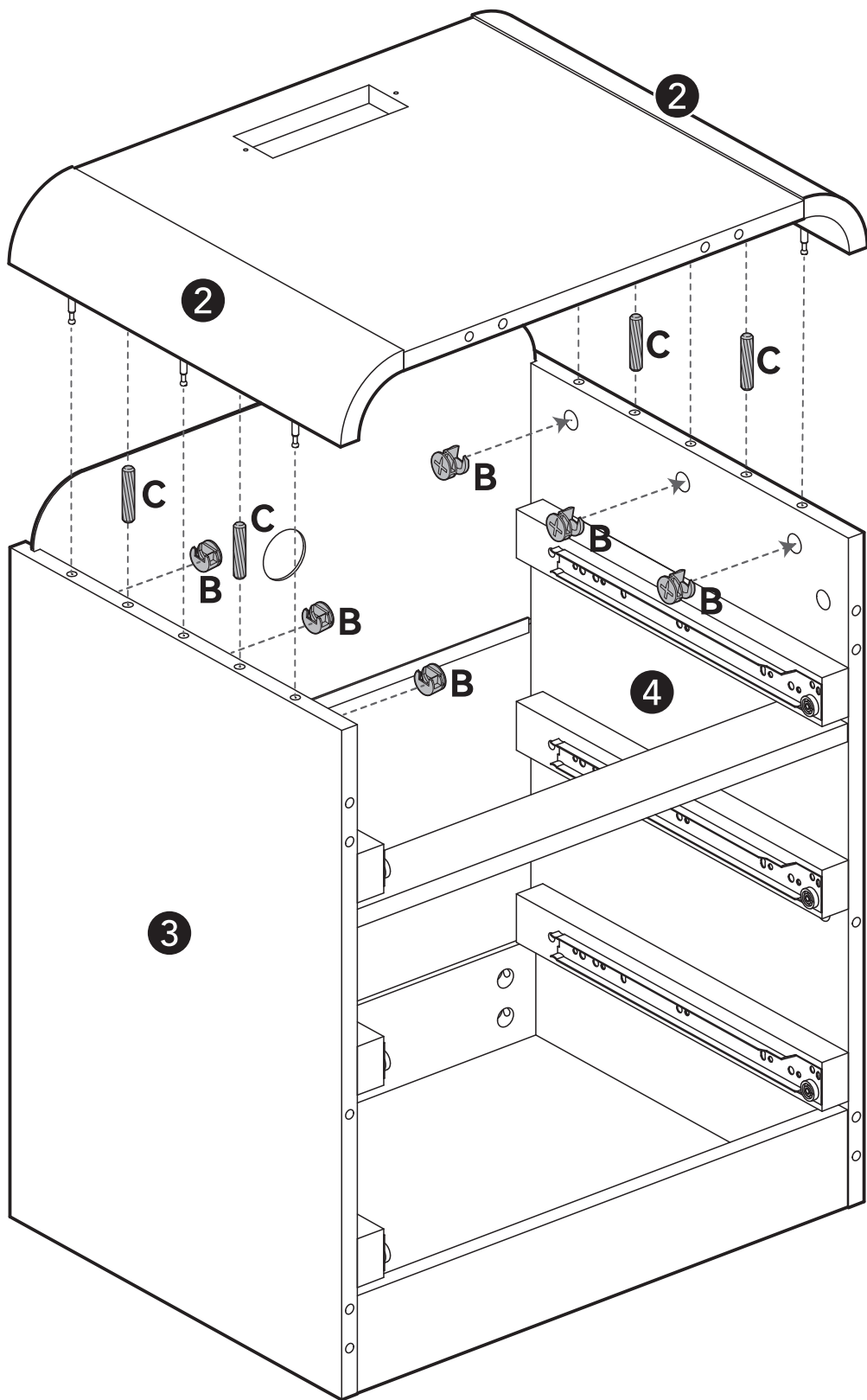
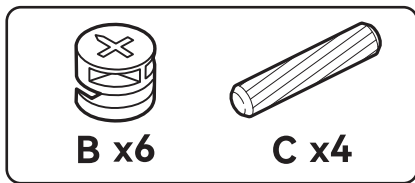
7



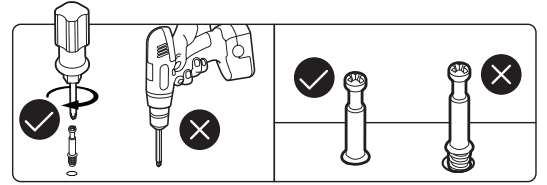
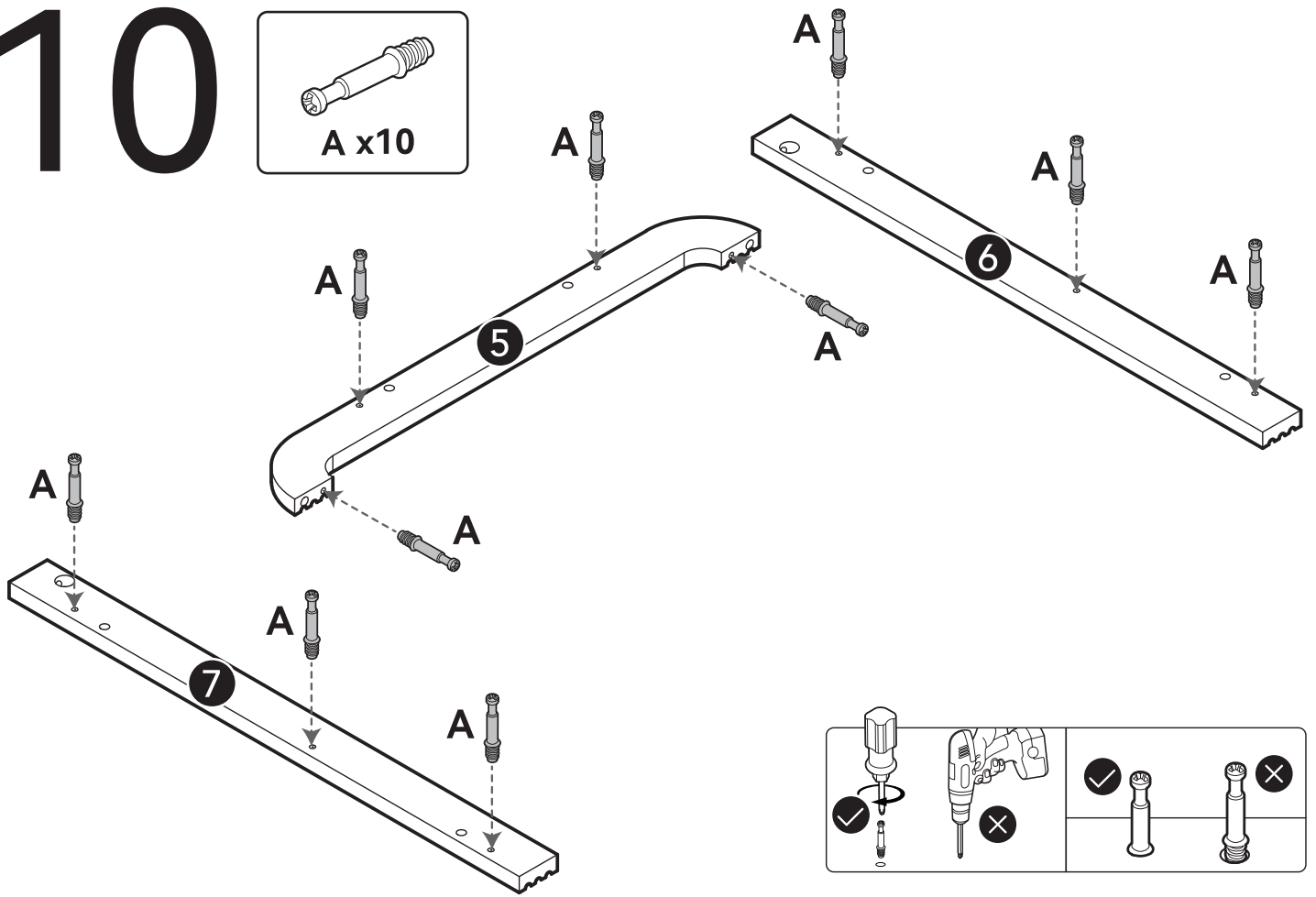
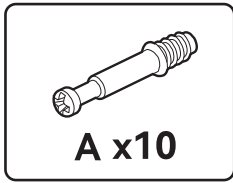
8



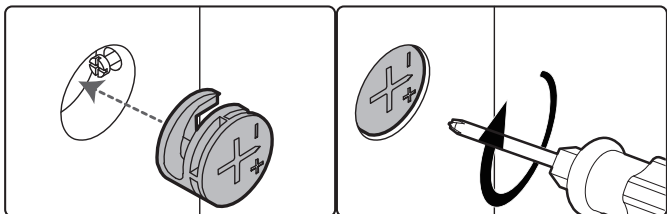
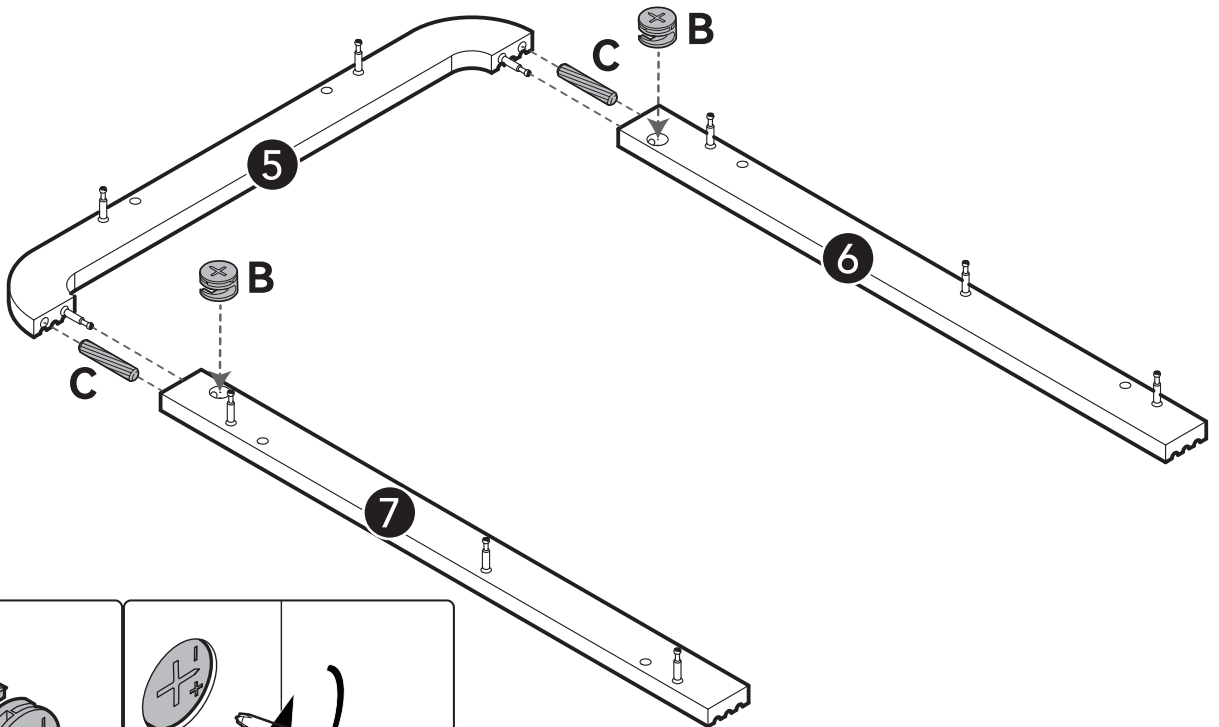
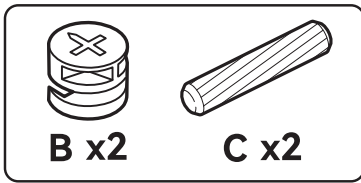
9



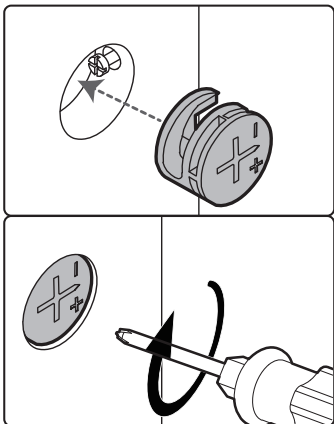
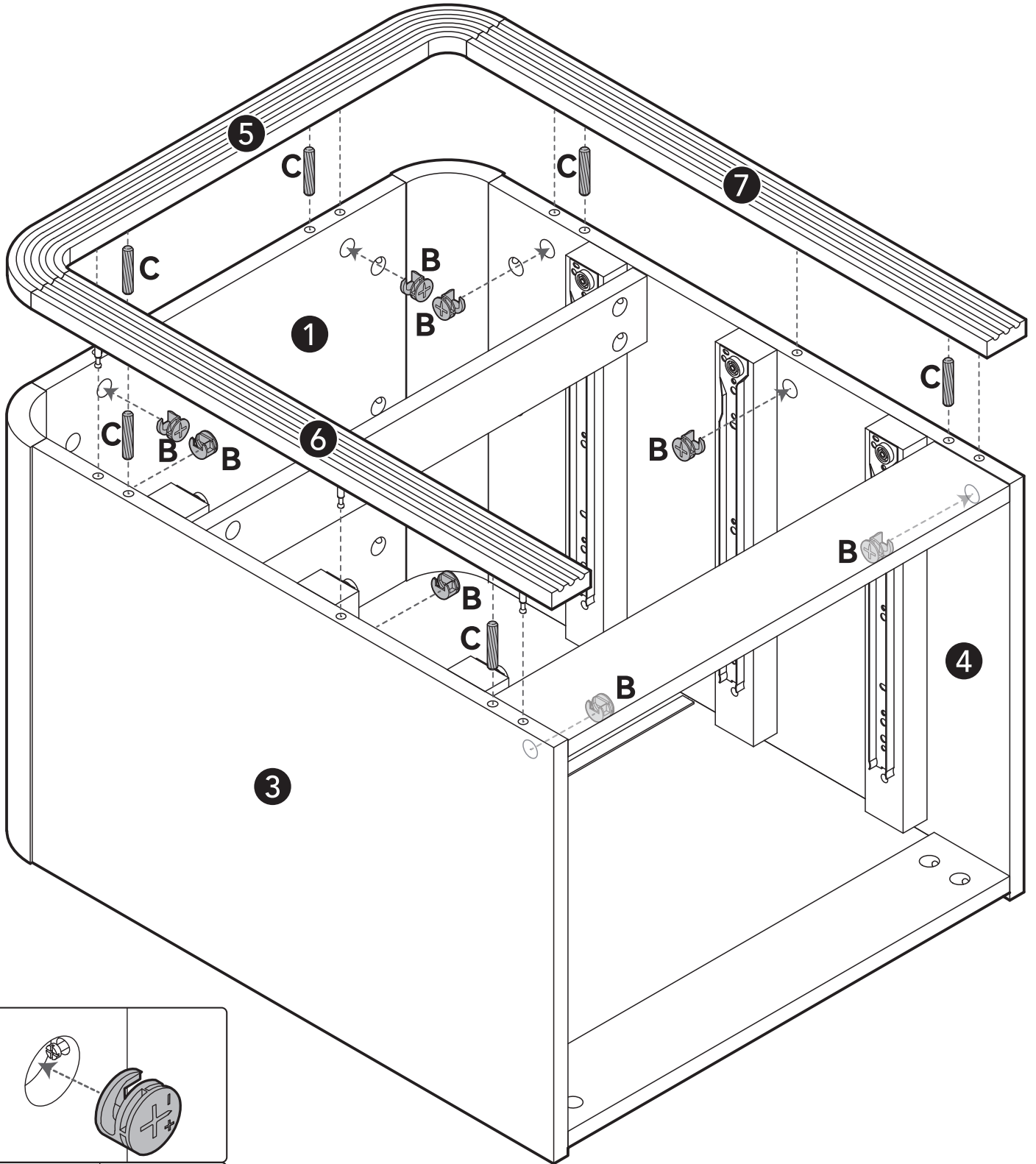
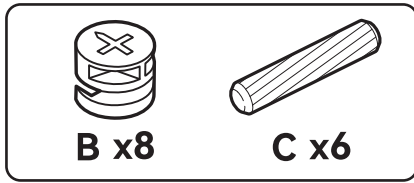
10



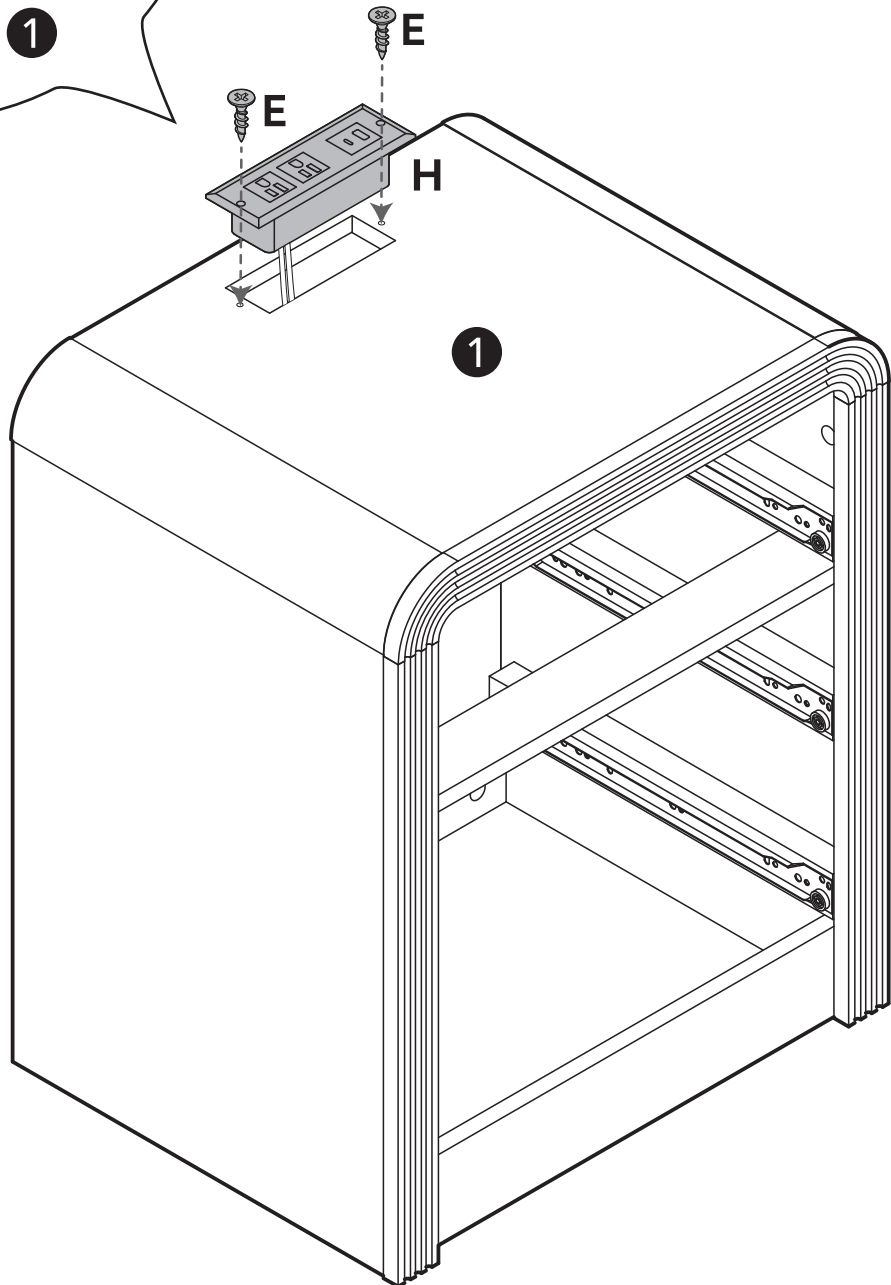
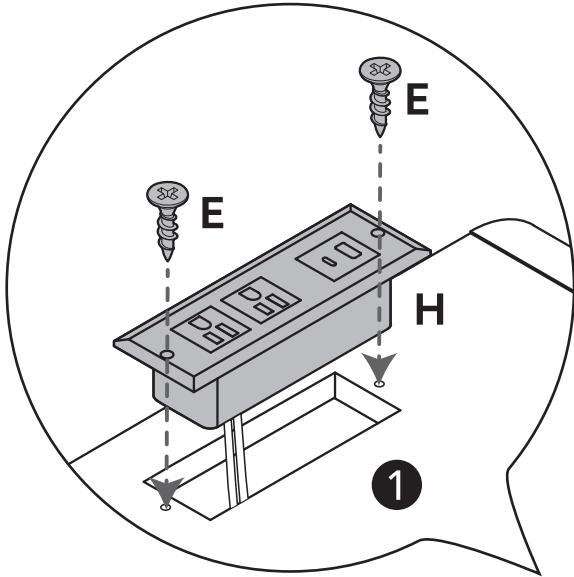
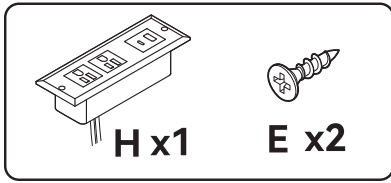
11



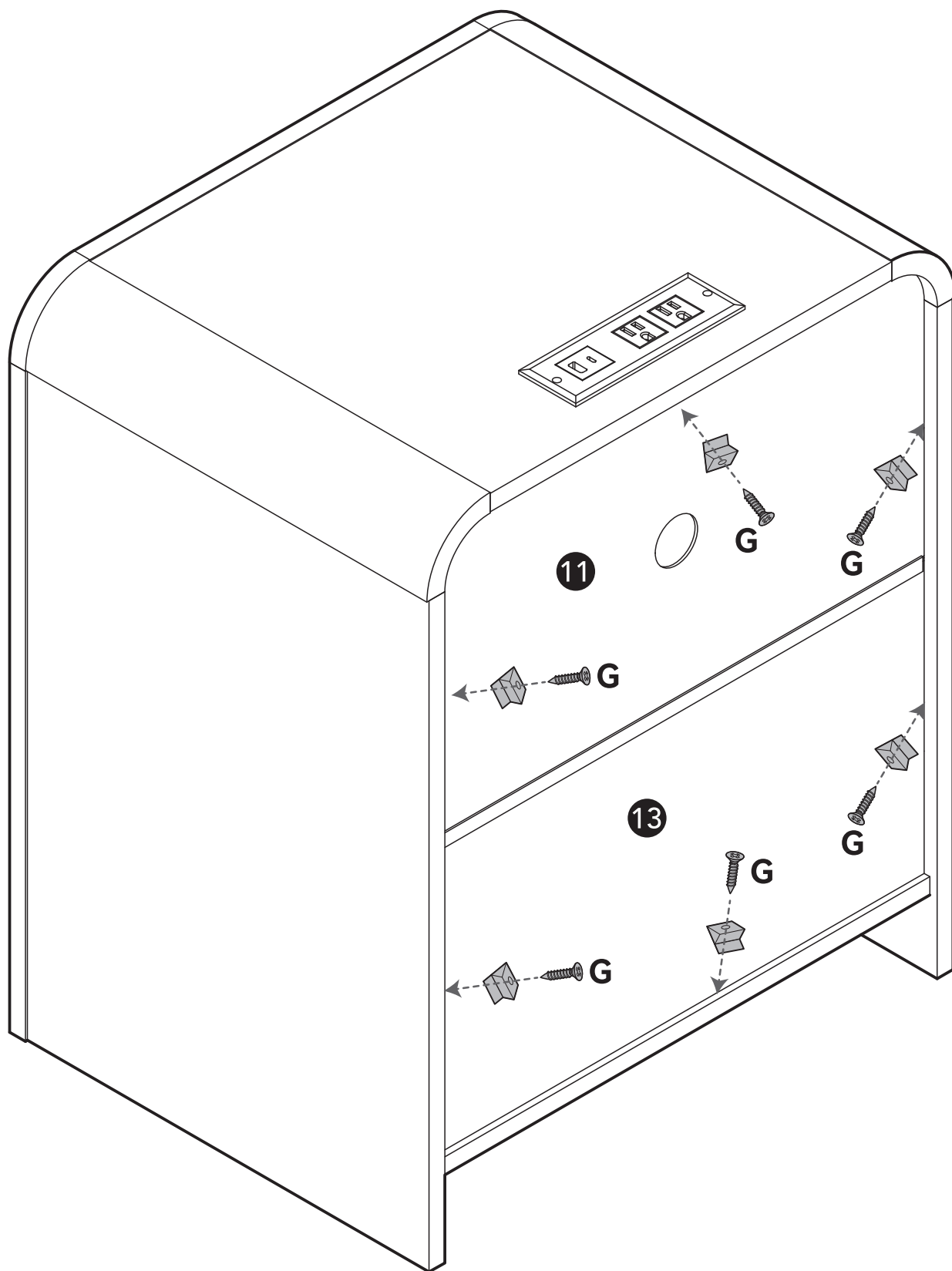
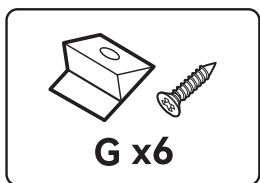
12



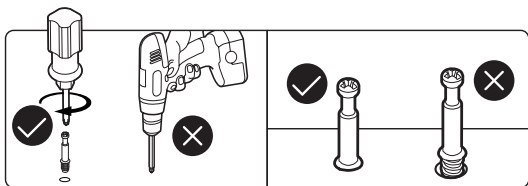
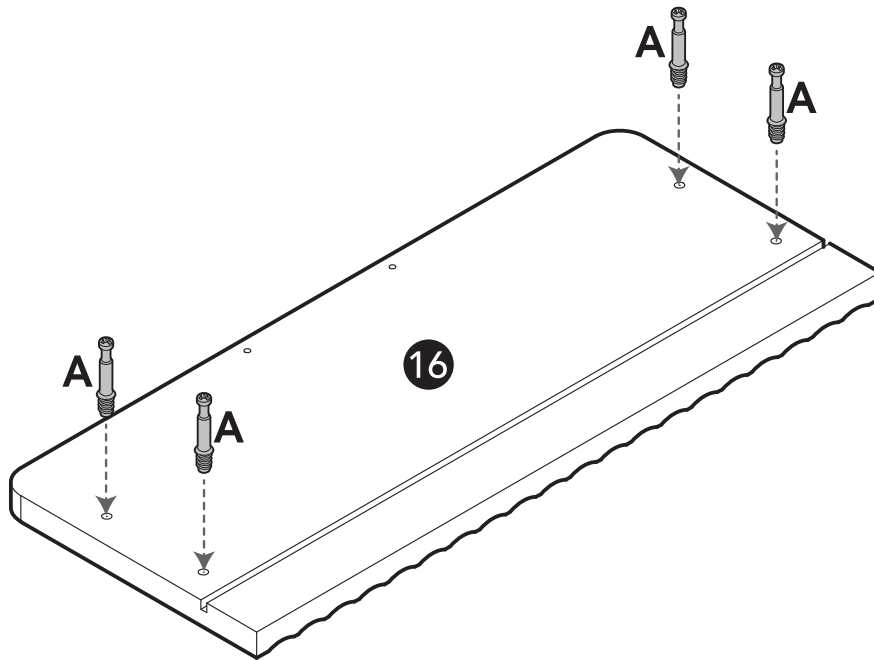
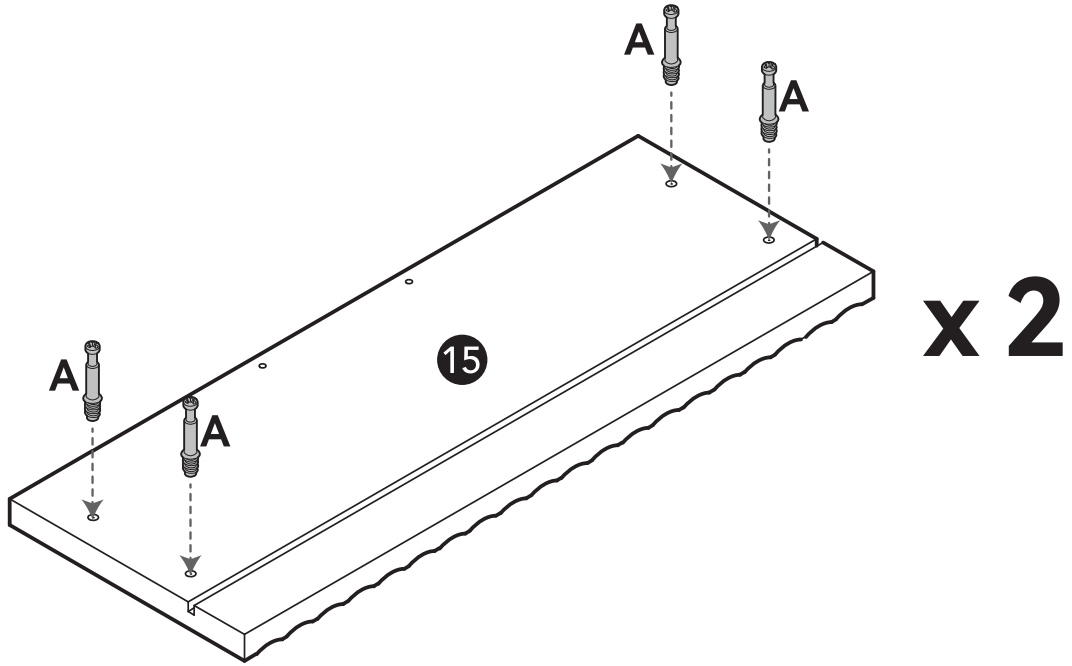
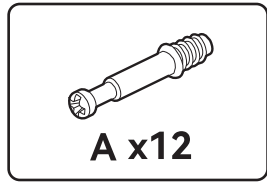
13



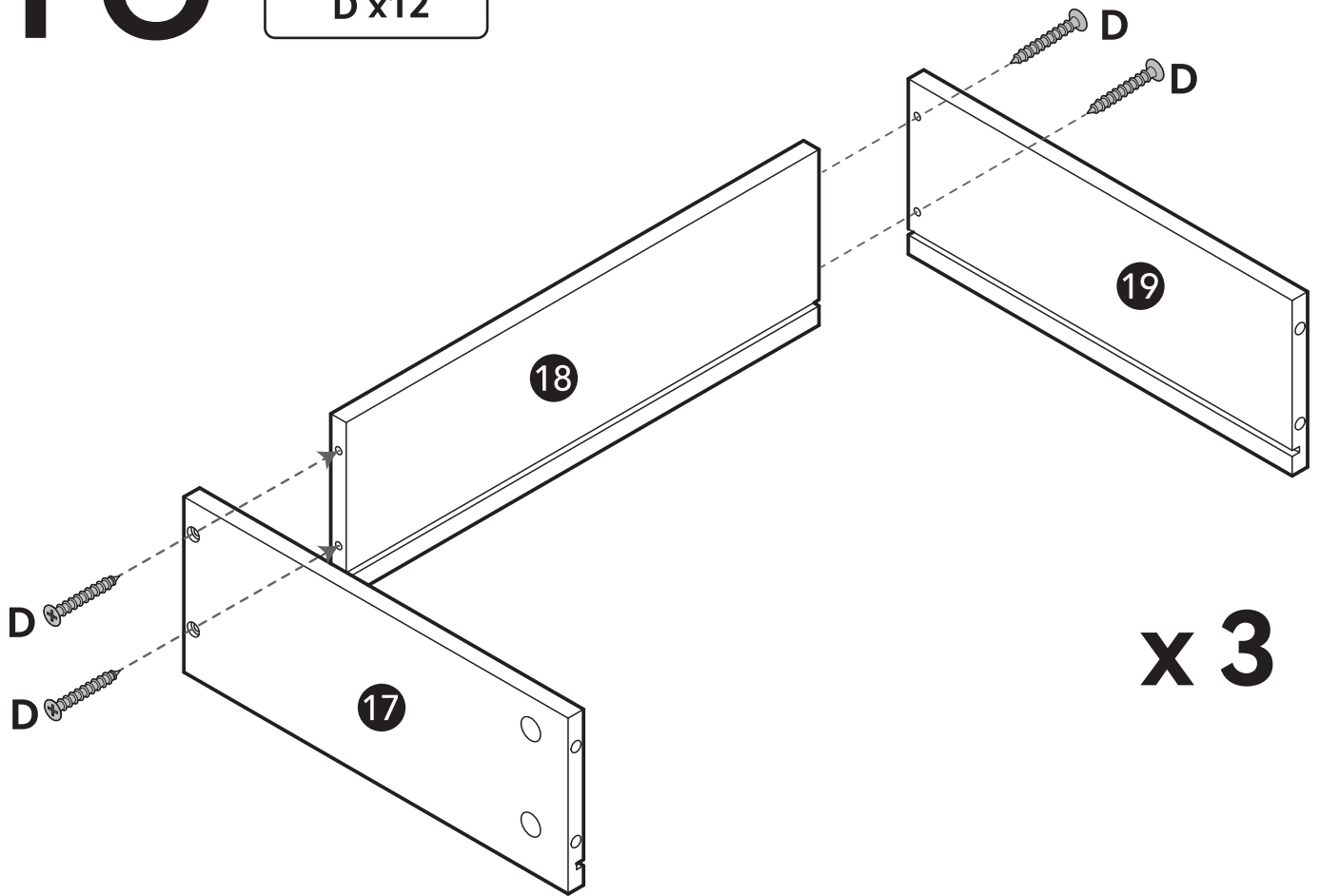
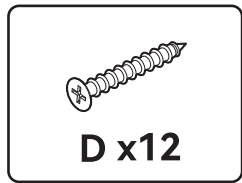
14



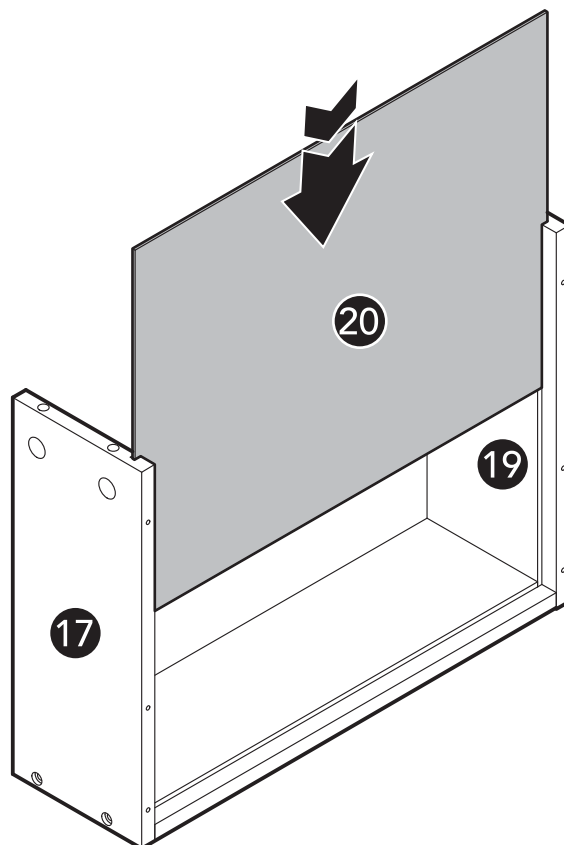
15



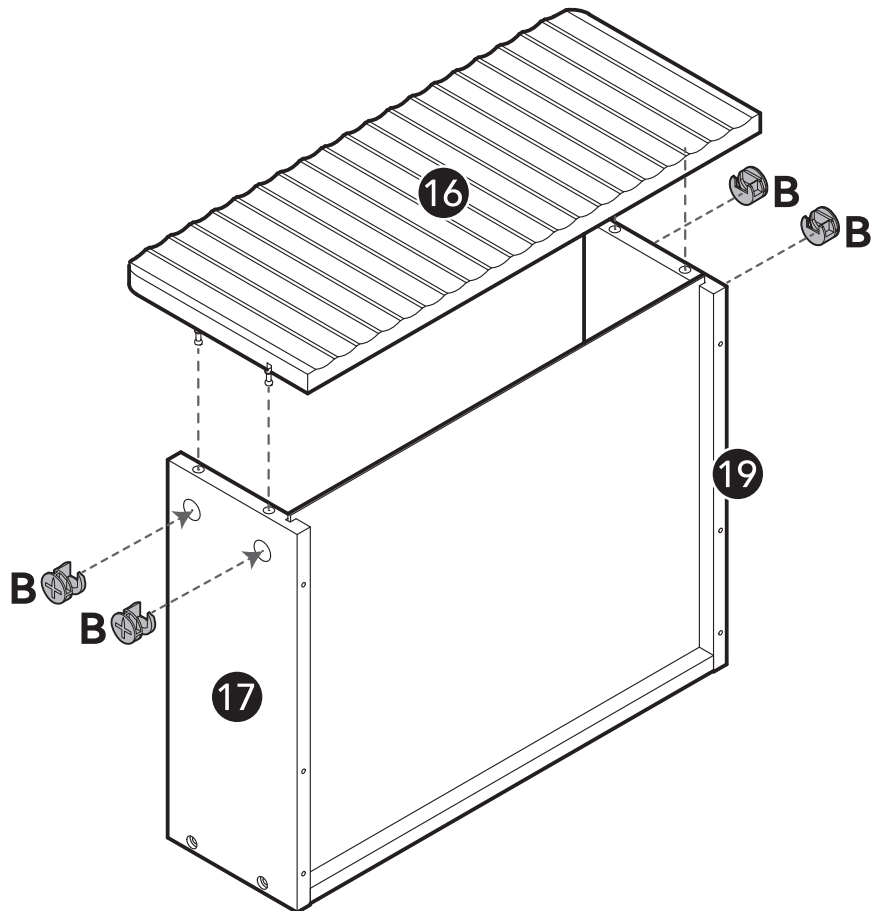
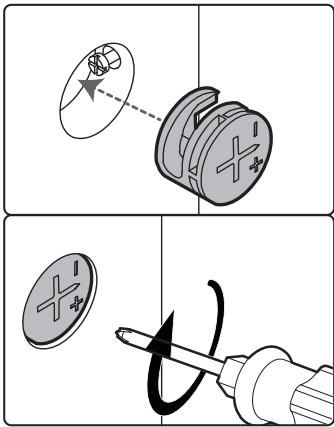
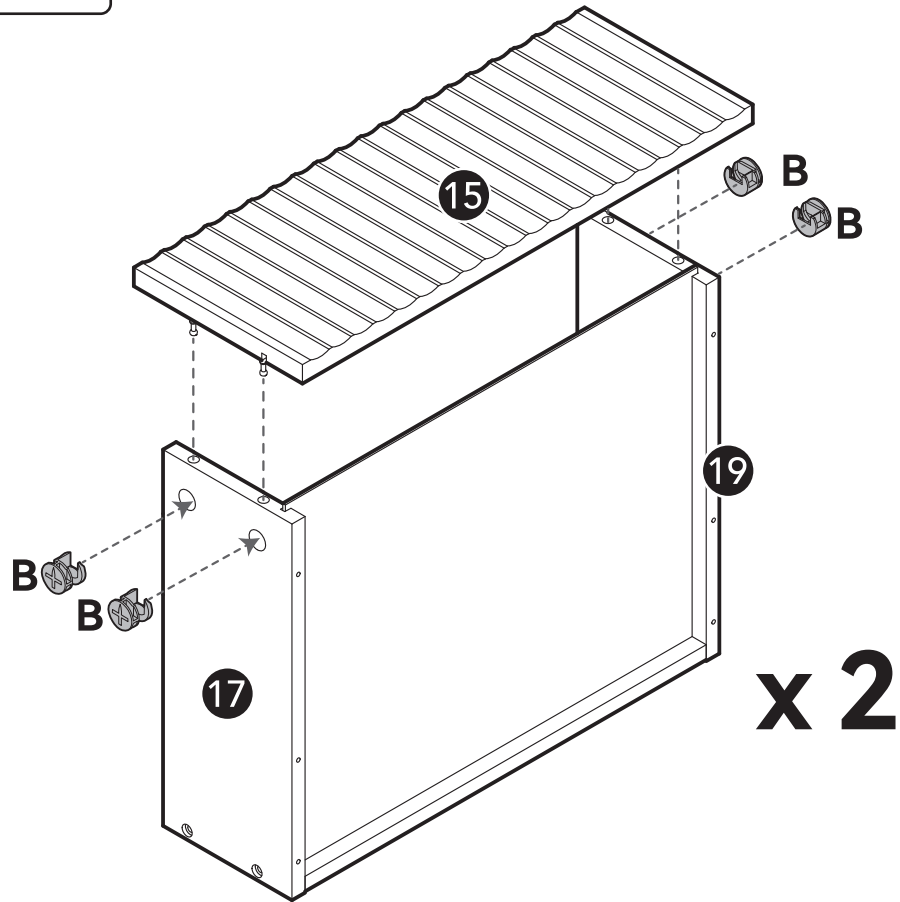
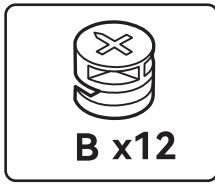
16



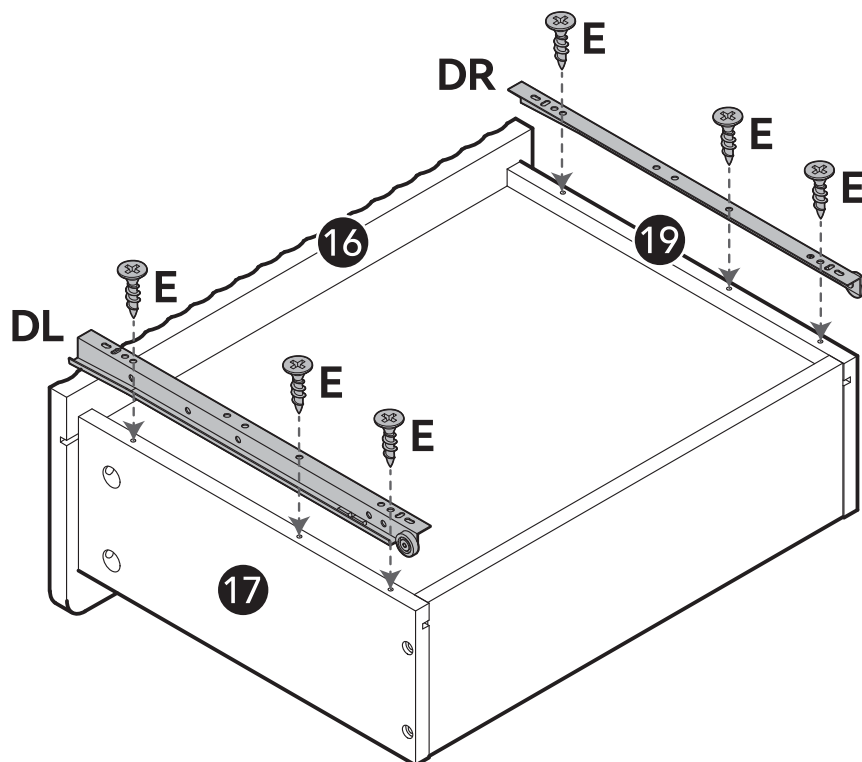
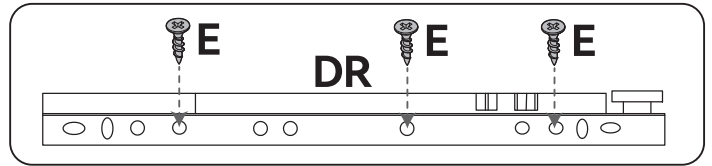
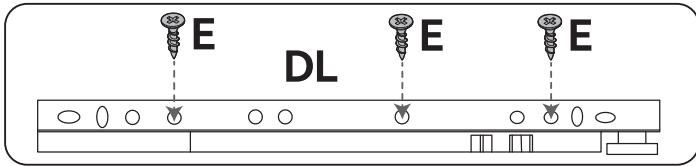
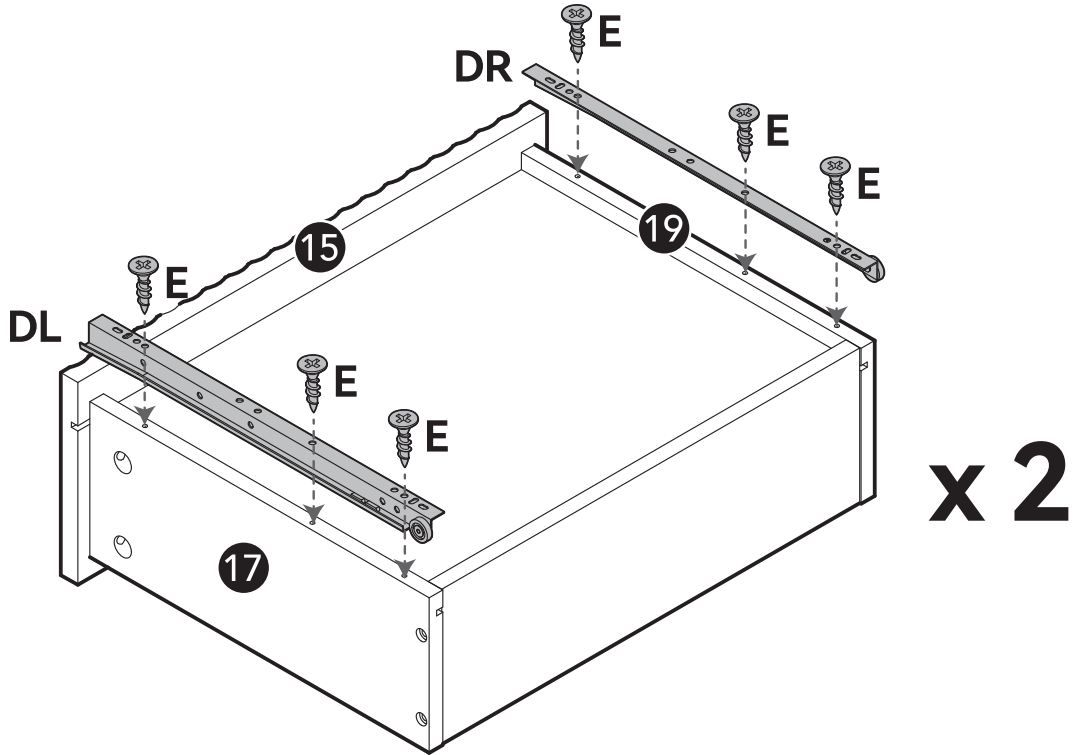
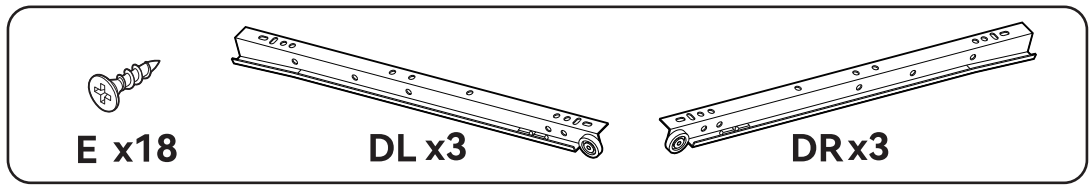
17



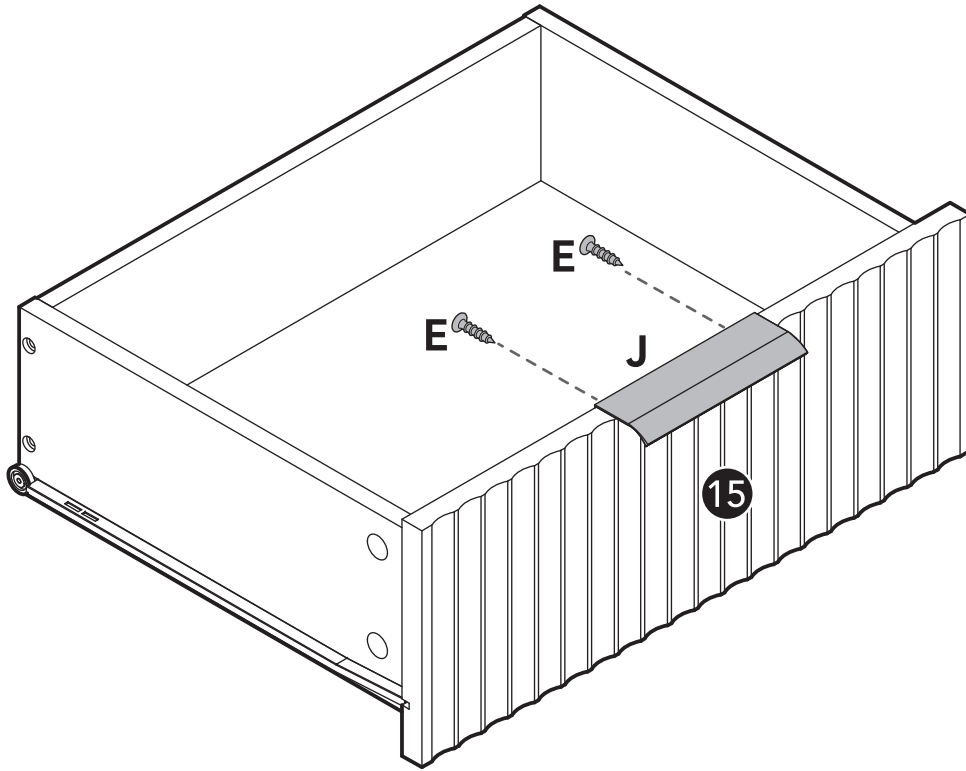
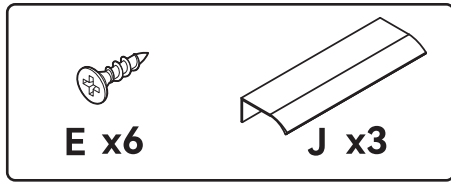
18



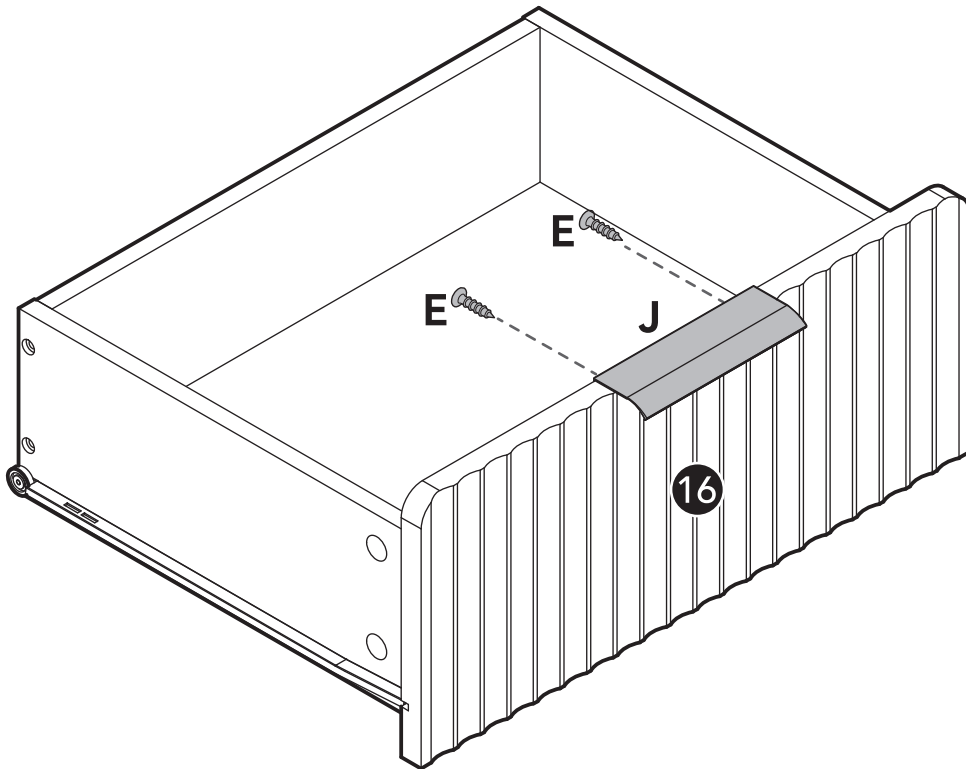
19



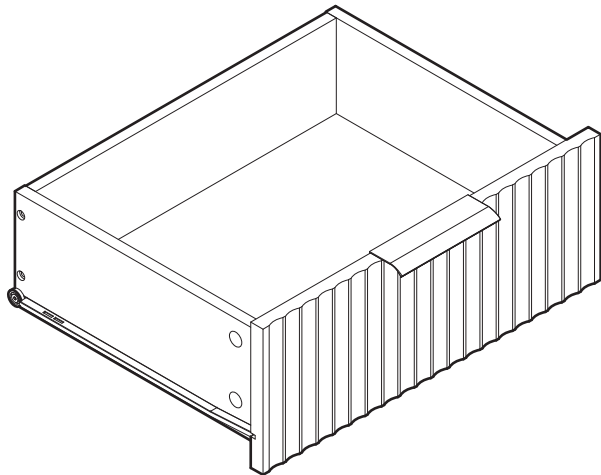
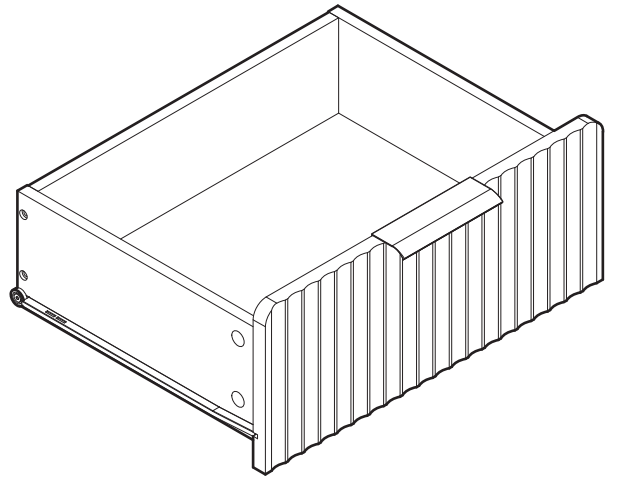
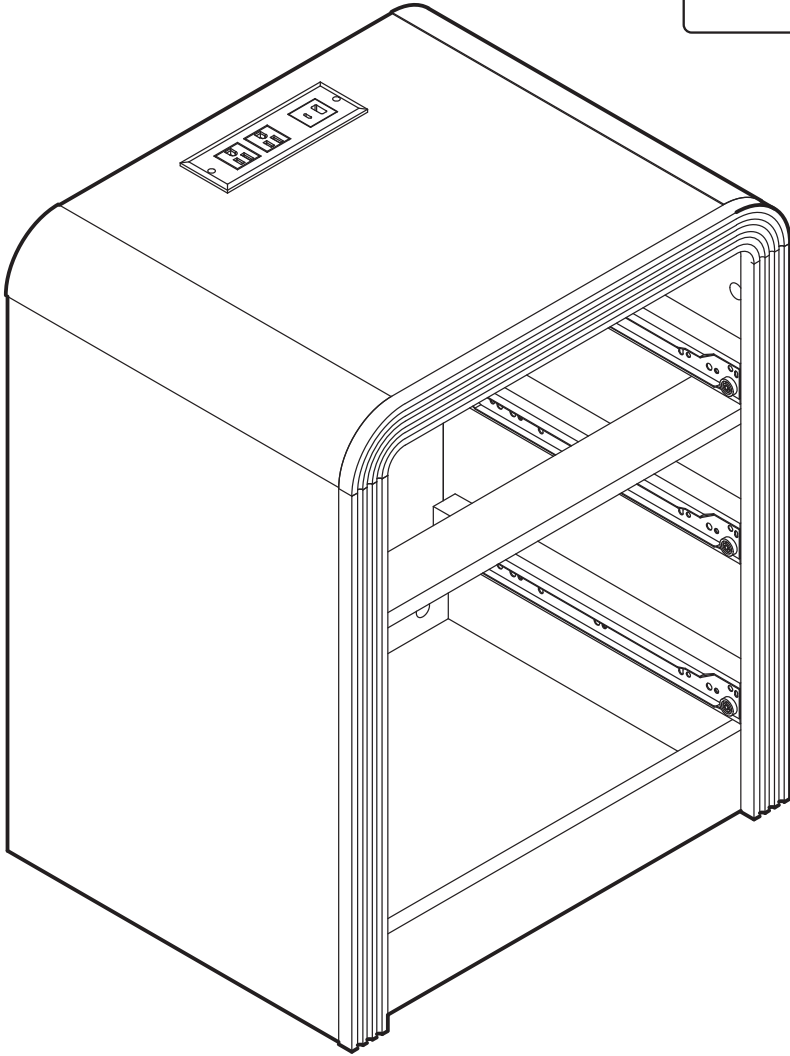
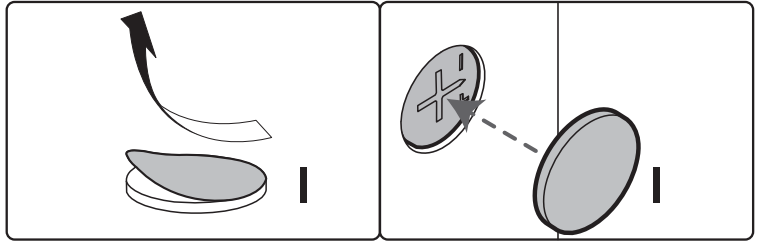
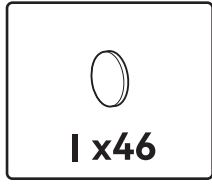
20



x 2



21



x 2

22

