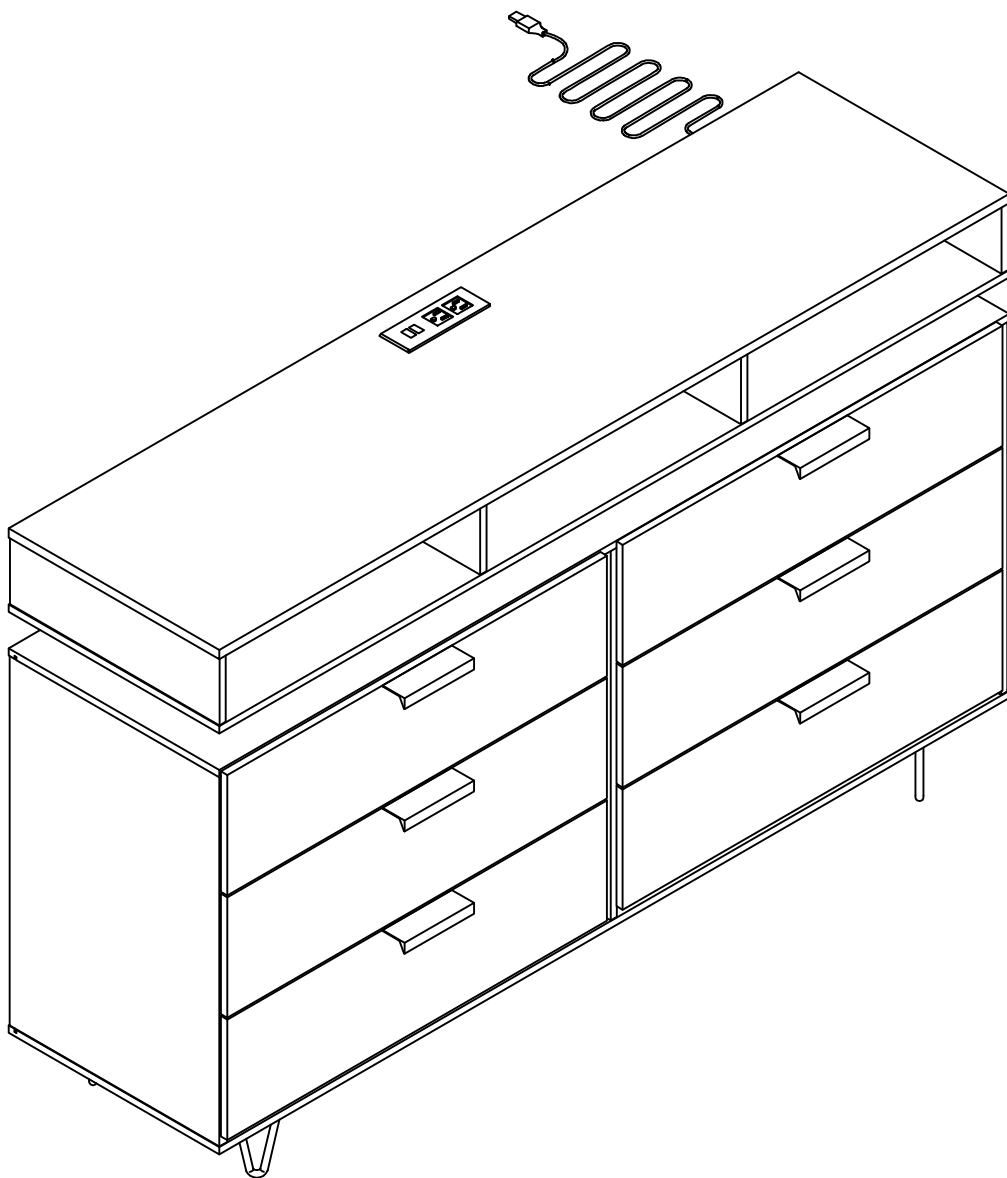
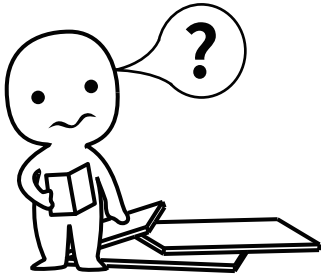


# Six bucket cabinets

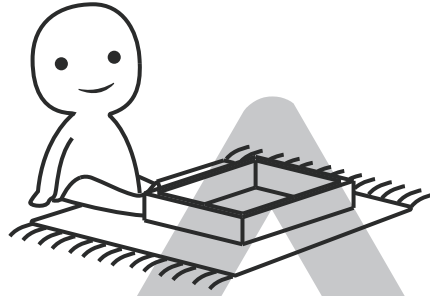
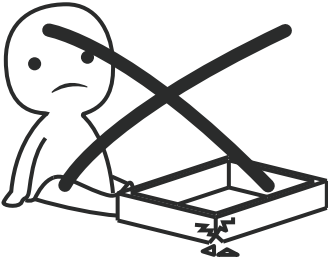
150CM





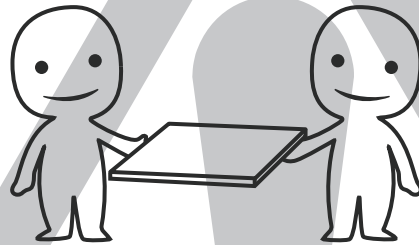
### **IMPORTANT INFORMATION!**

please read the entire manual before starting to assemble and/or using this product. follow the manual thoroughly and keep it for further reference.



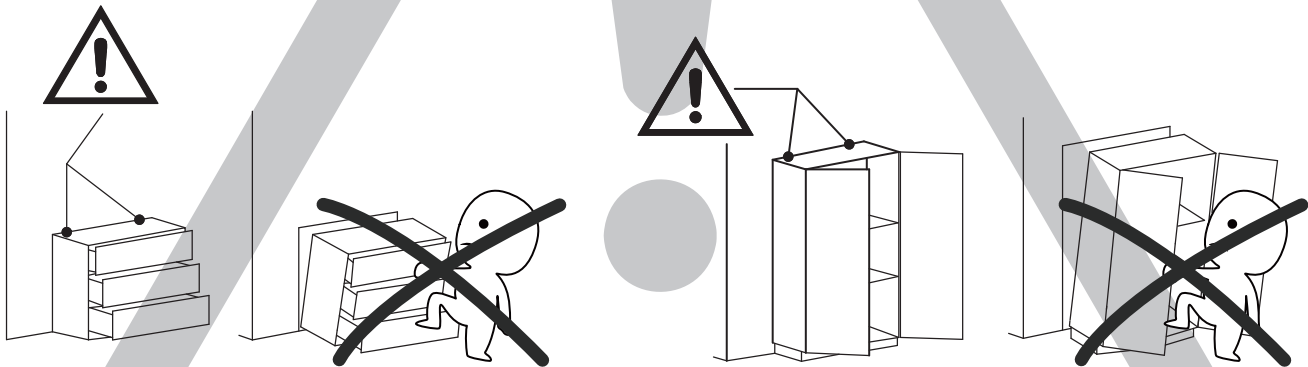
### **AVOID SCRATCHES!**

In order to avoid scratching this furniture should be assembled on a soft layer—could be a rug.



### **IMPROVE EFFICIENCY !**

Try to find a partner to install with you, which can speed up the installation efficiency and shorten the time.



### **ANTI-TOPPLE WARNING !**

Overturned furniture can cause serious or fatal crush injuries. To prevent tipping over, be sure to use the wall attachment, if not included with this product. Please purchase the wall attachment that fit your wall. If unsure, seek professional advice. Please read and follow each step of the instructions carefully.

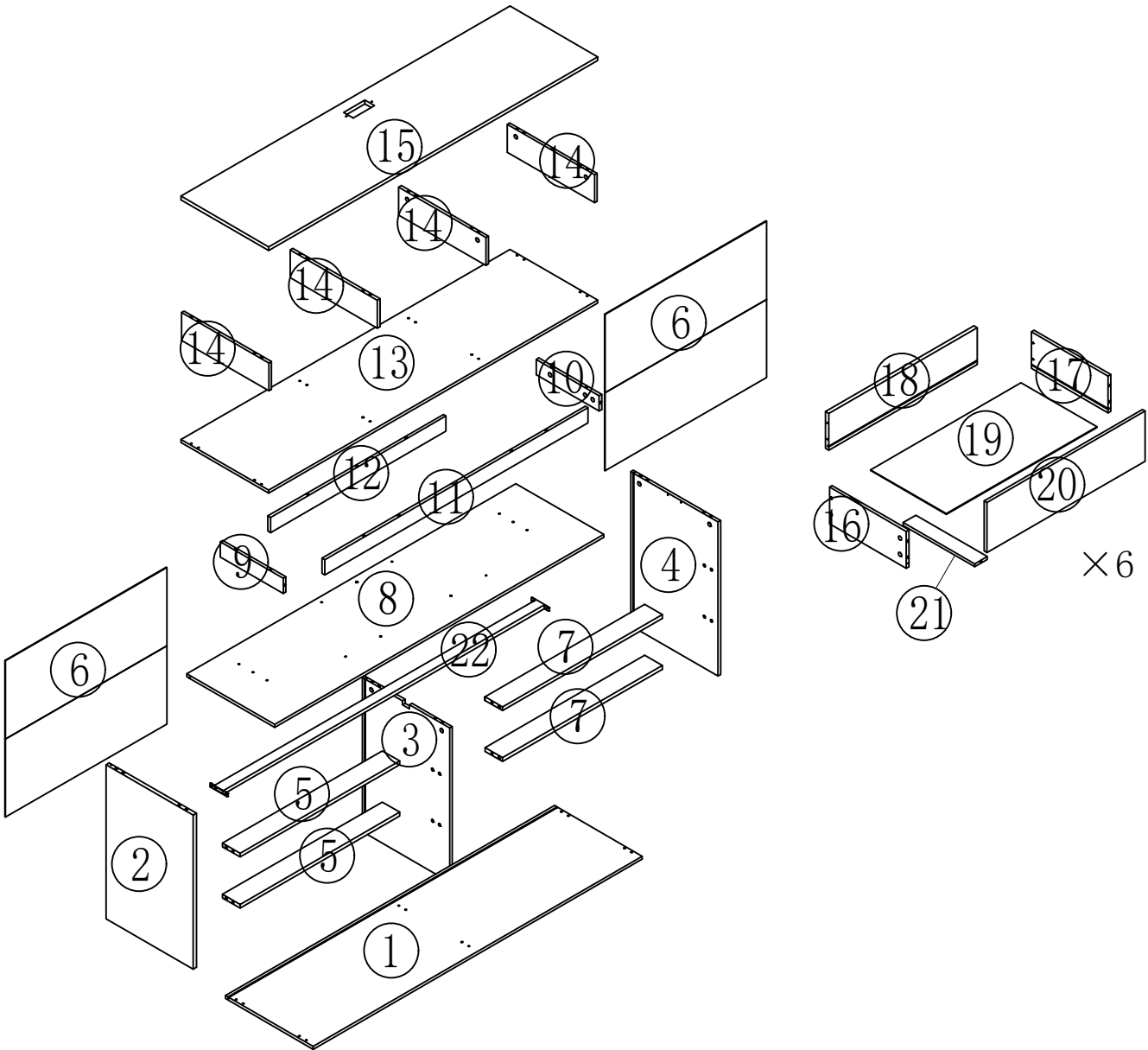
### **IMPORTANT !**

It is important that any product which is assembled using any kind of screw is re-tightened 2 weeks after assembly, and once every 3 months - in order to assure stability through-out the lifespan of the product.

For regular maintenance and cleaning of the product, for the frame, please use a rag dipped in neutral detergent to fully wipe it, and then dry it with a clean rag. For glass materials, wipe with a rag dampened with water glass cleaner, and then dry with a dry rag.

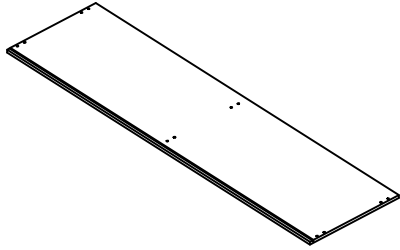
Do not use an electric screwdriver, and do not use too much force when installing, because the board is easy to break.

# Board Identification

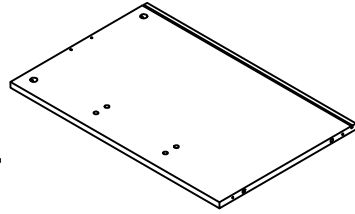


# PARTS LIST

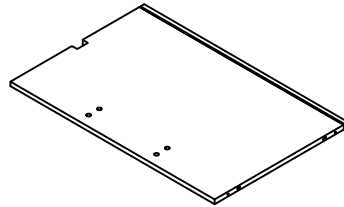
① x1



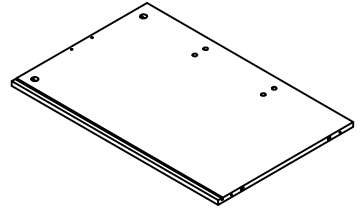
② x1



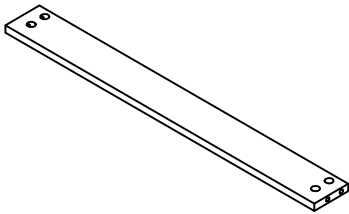
③ x1



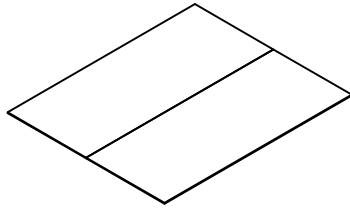
④ x1



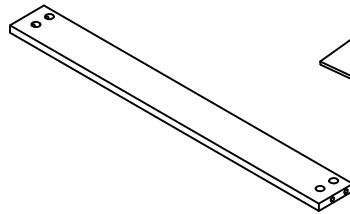
⑤ x2



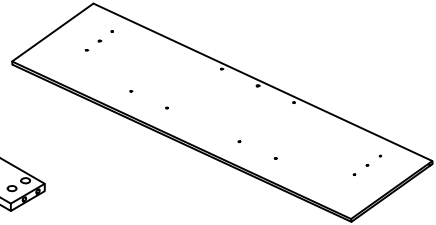
⑥ x2



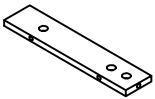
⑦ x2



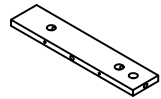
⑧ x1



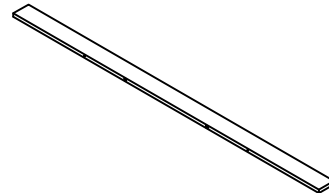
⑨ x1



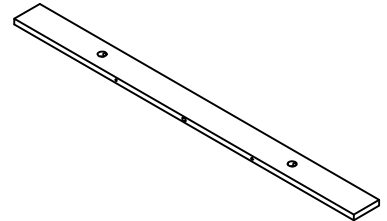
⑩ x1



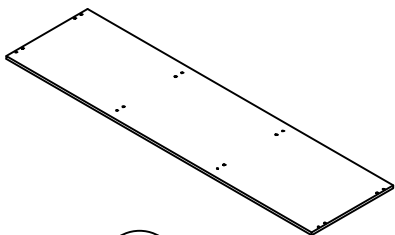
⑪ x1



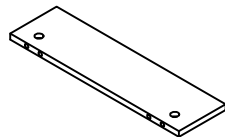
⑫ x1



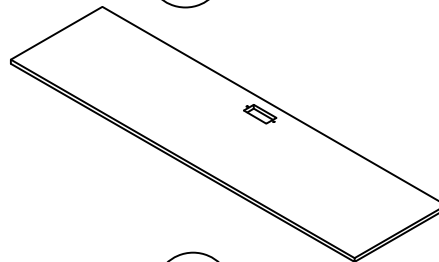
⑬ x1



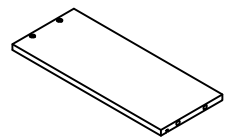
⑭ x4



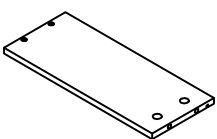
⑮ x1



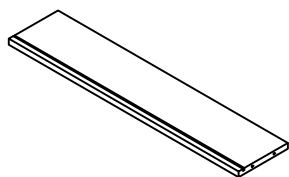
⑯ x6



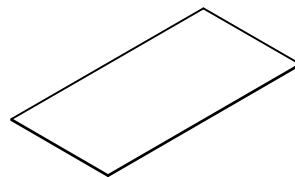
⑰ x6



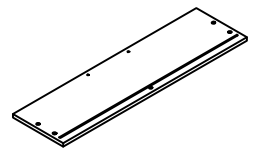
⑱ x6



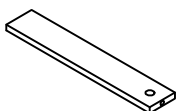
⑲ x6



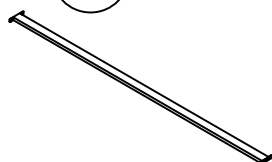
⑳ x6

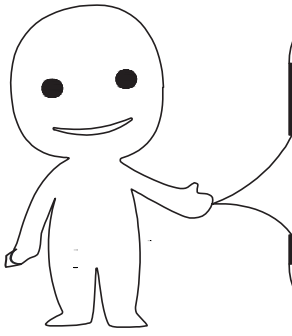


㉑ x6

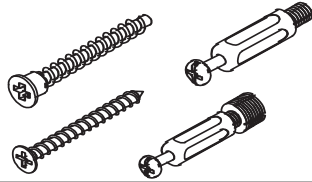
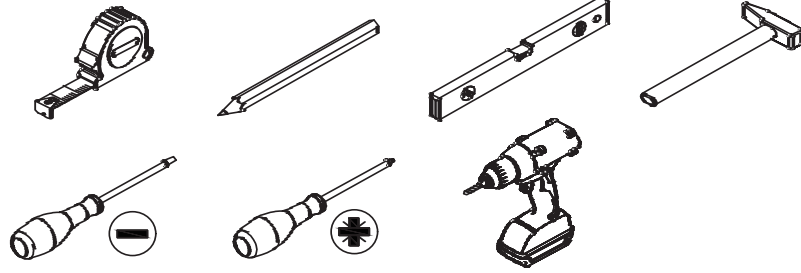


㉒ x1





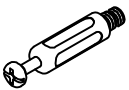


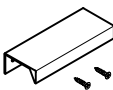
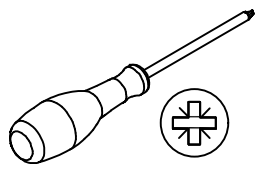
Please prepare the following tools

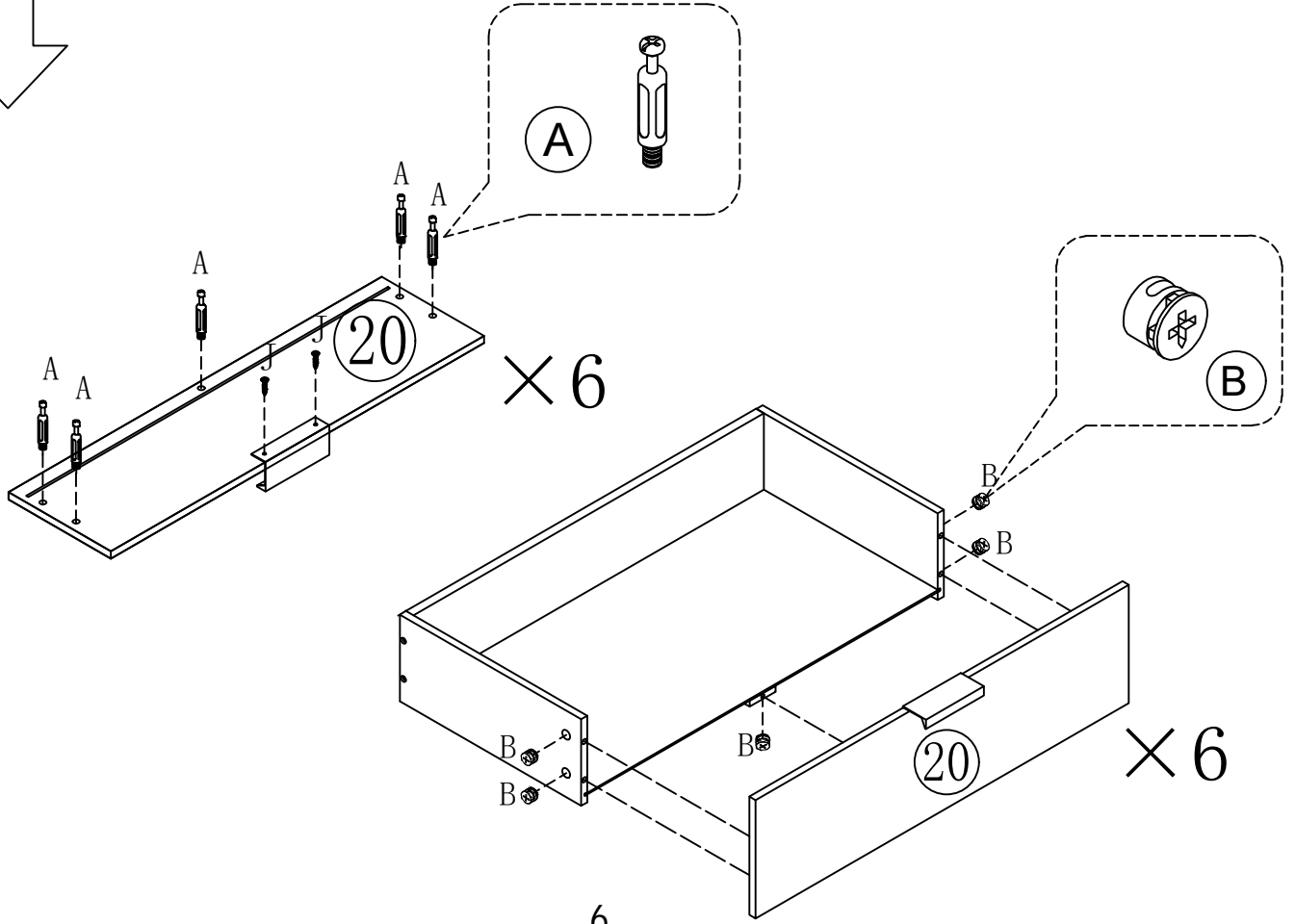
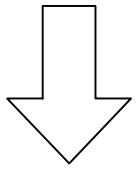
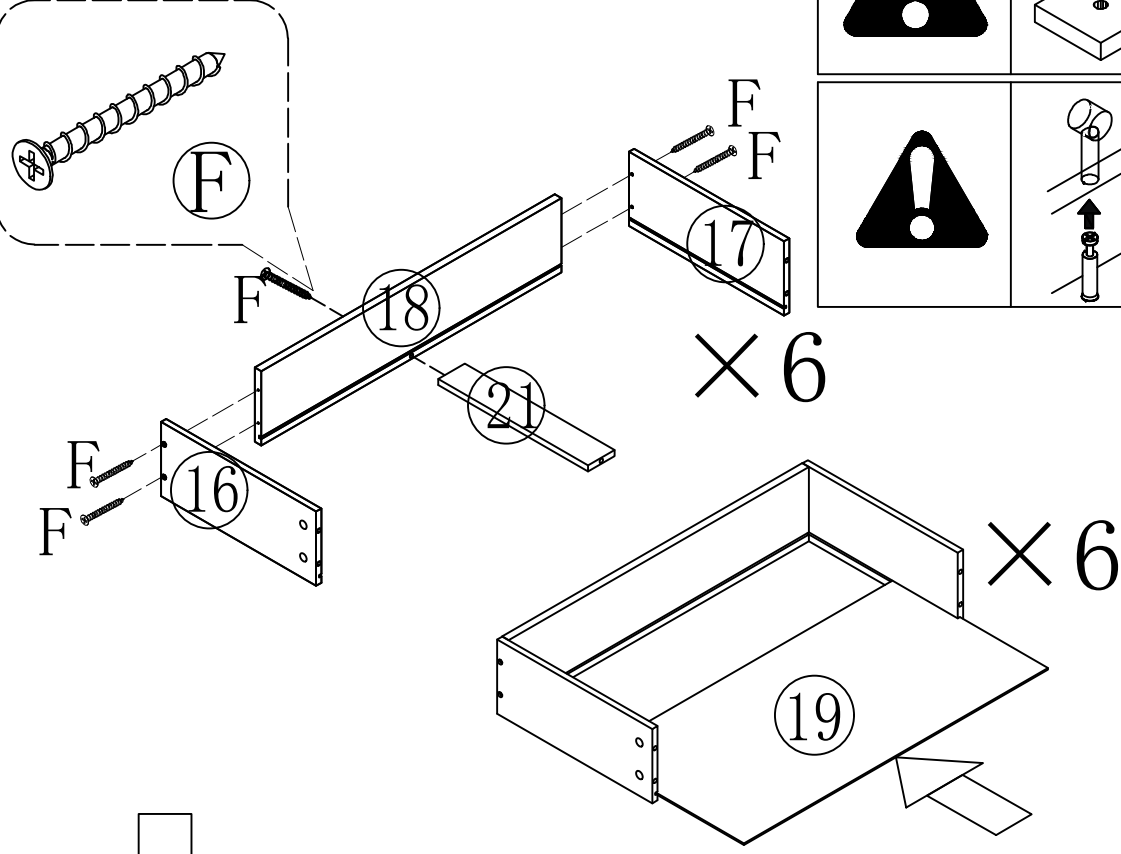
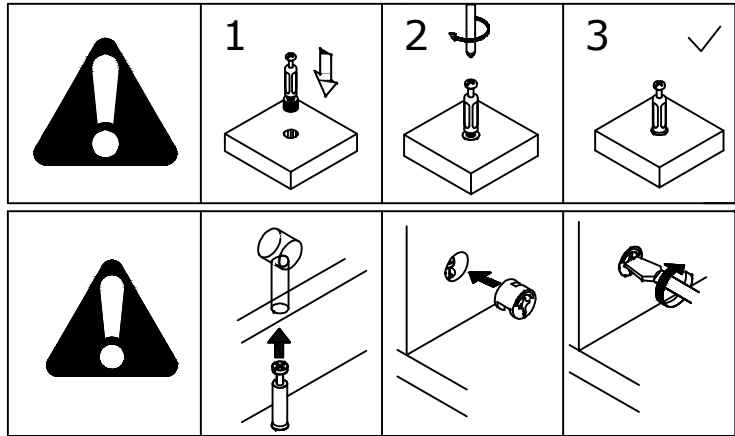


When installing, please carefully confirm whether each screw corresponds to the manual, accessories with similar shapes can be distinguished by size


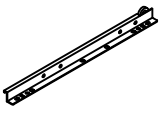
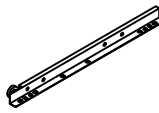
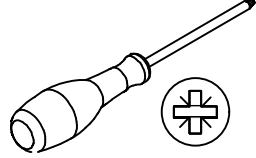
<p>Ax70+2</p> <p>ø5*40mm</p>	<p>Bx70+2</p> <p>ø15*9mm</p>	<p>Cx34+2</p> <p>ø6*30mm</p>	<p>Dx4</p> <p>4*12mm</p>
<p>Ex60+2</p> <p>M3.5*12mm</p>	<p>Fx30+2</p> <p>4*40mm</p>	<p>Gx1</p> <p>3*12mm</p>	<p>Hx23+2</p> <p>5*38mm</p>
<p>Ix5</p>	<p>Jx6</p>	<p>Kx8</p> <p>3*12mm</p>	<p>Lx70+2</p>
<p>Mx2</p>	<p>Nx1</p>	<p>CLx6</p> <p>L=350MM</p>	
<p>DLx6</p> <p>L=350MM</p>	<p>CRx6</p> <p>L=350MM</p>	<p>DRx6</p> <p>L=350MM</p>	

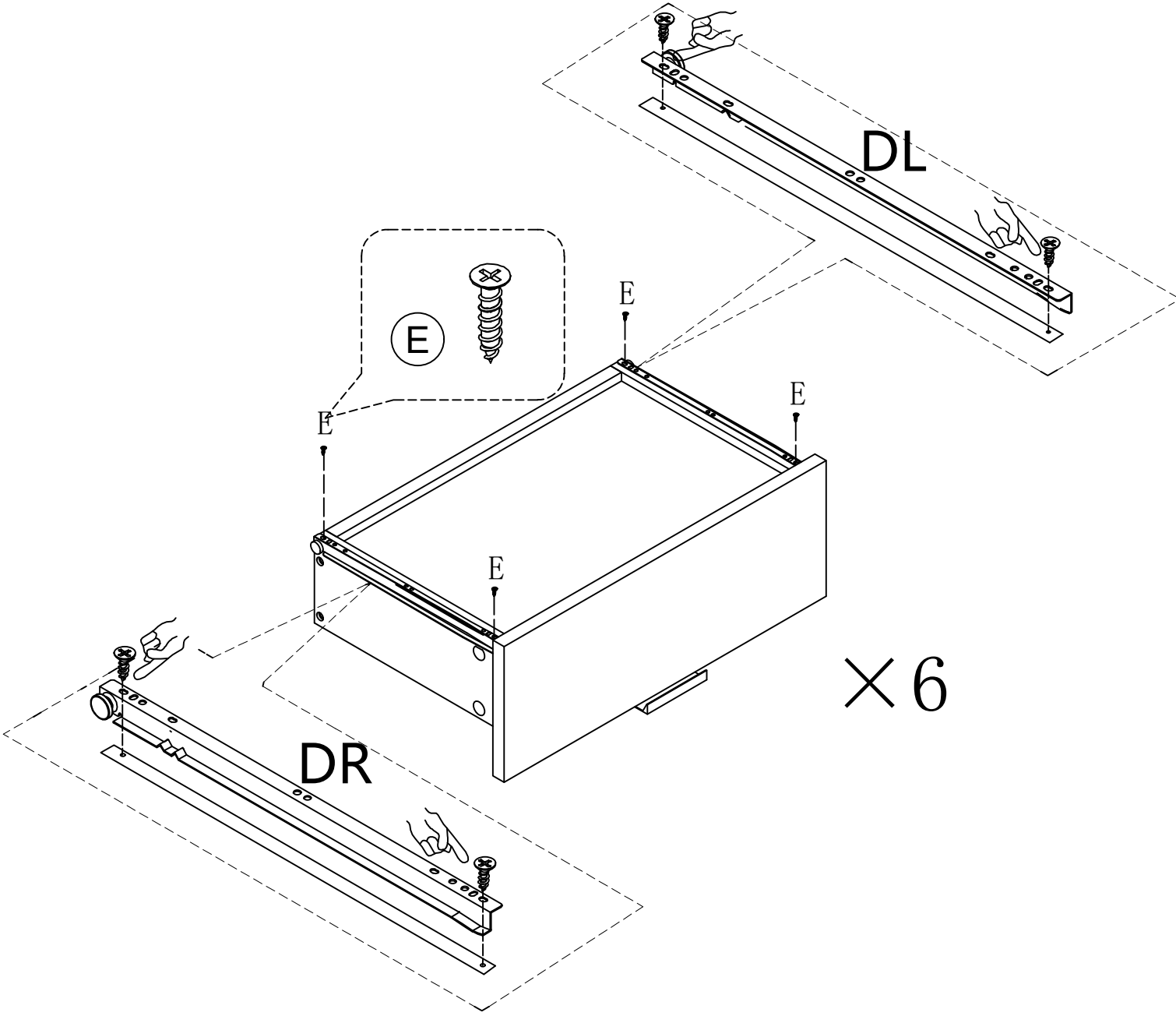
1

<p>AX30</p>  <p>Ø5 x 40 mm</p>	<p>B x 30</p>  <p>Ø15*9 mm</p>	<p>F X 30</p>  <p>Ø4*40 mm</p>	<p>J x 6</p> 	
---	---	---	---	--

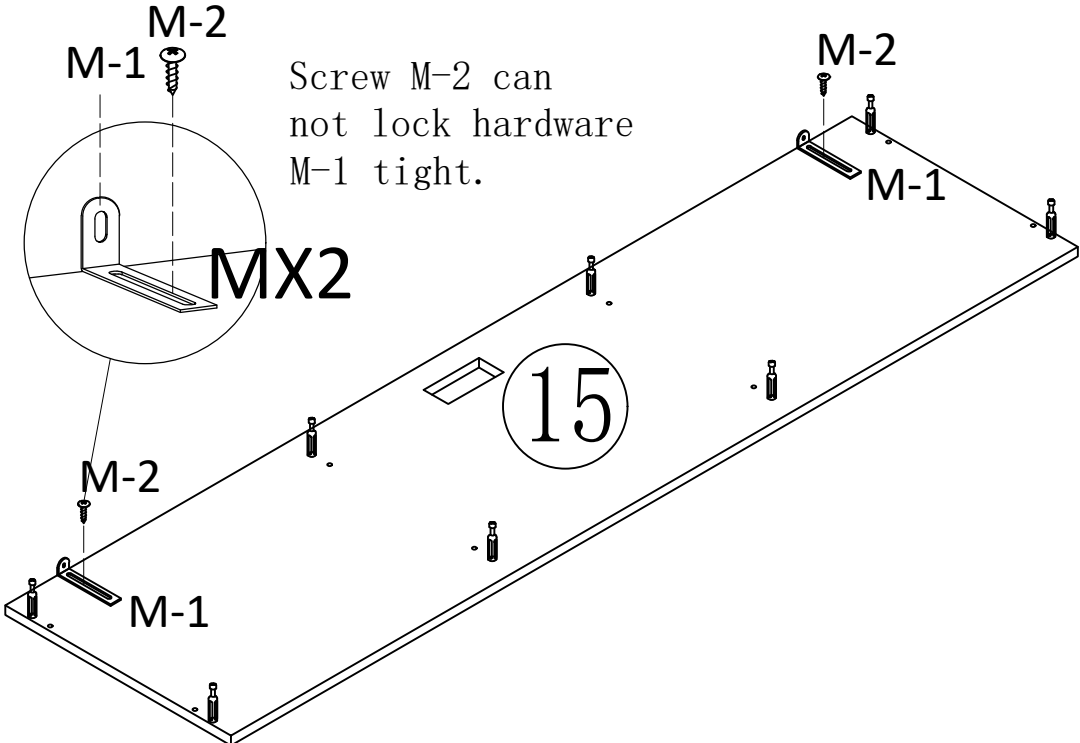
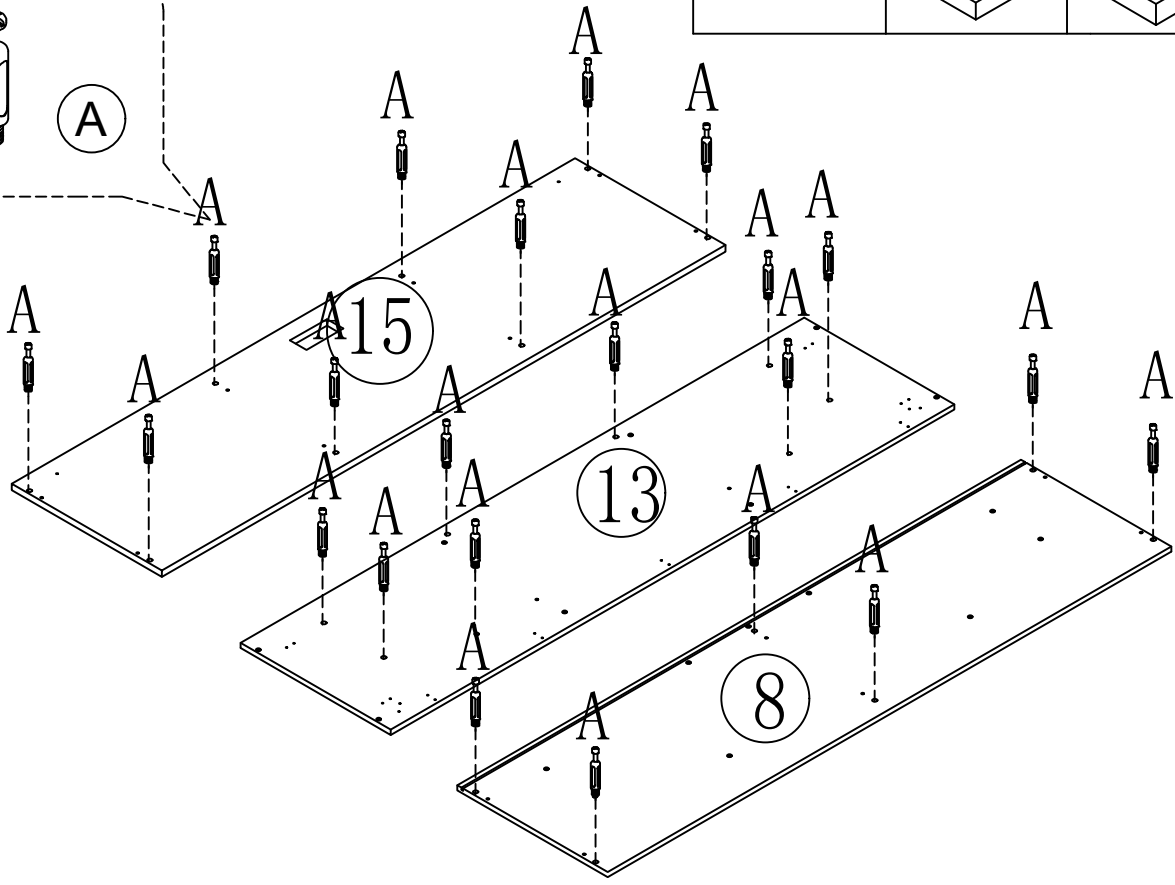
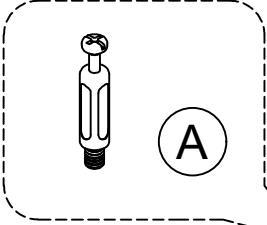
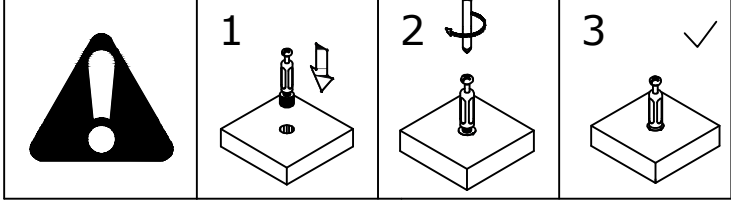
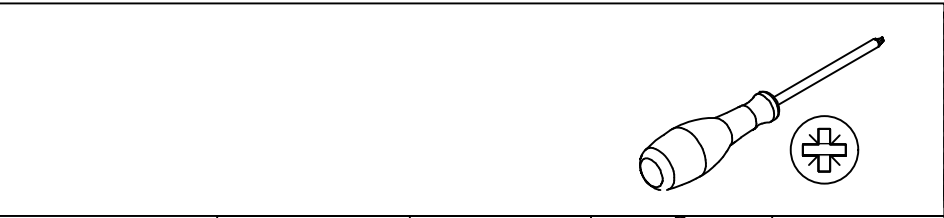
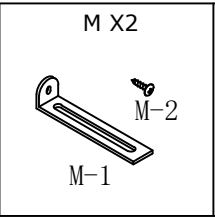
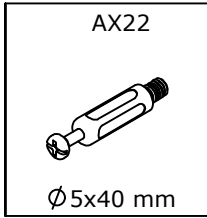


2

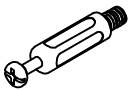

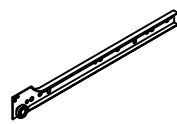
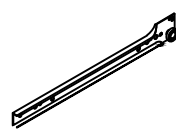
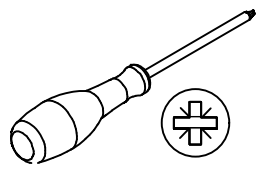

<p>EX24</p>  <p>3.5 x 12 mm</p>	<p>DL*6</p> 	<p>DR*6</p> 	
--	---	---	--

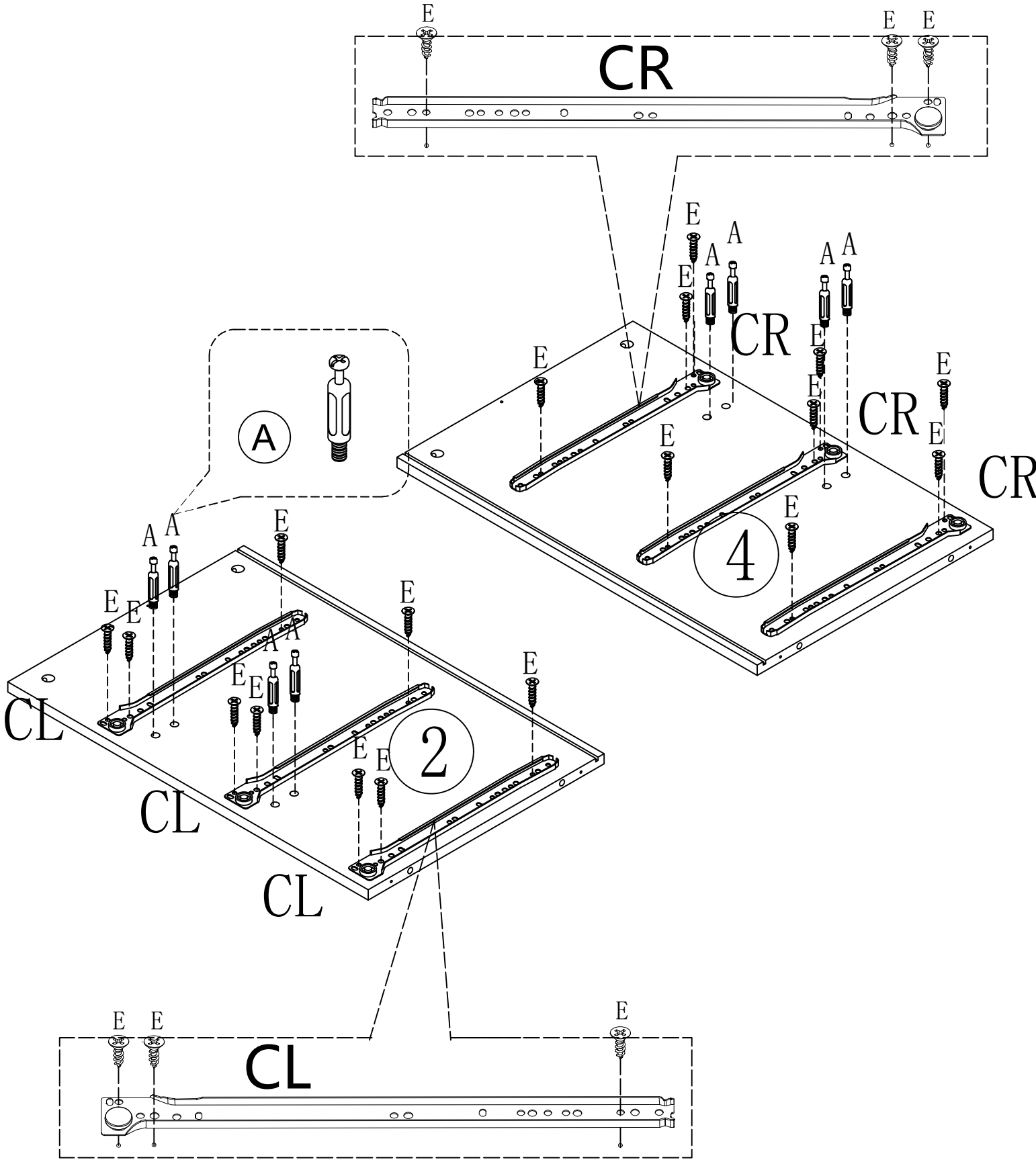
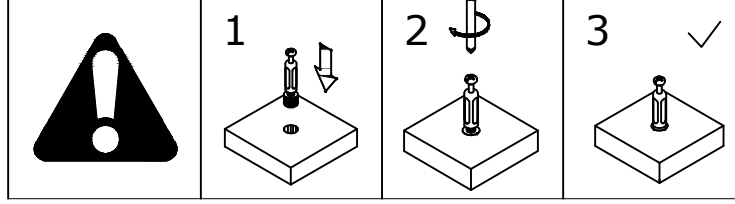


3

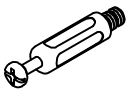

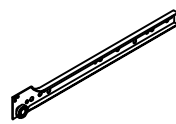
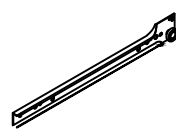
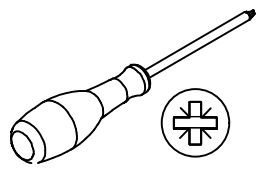



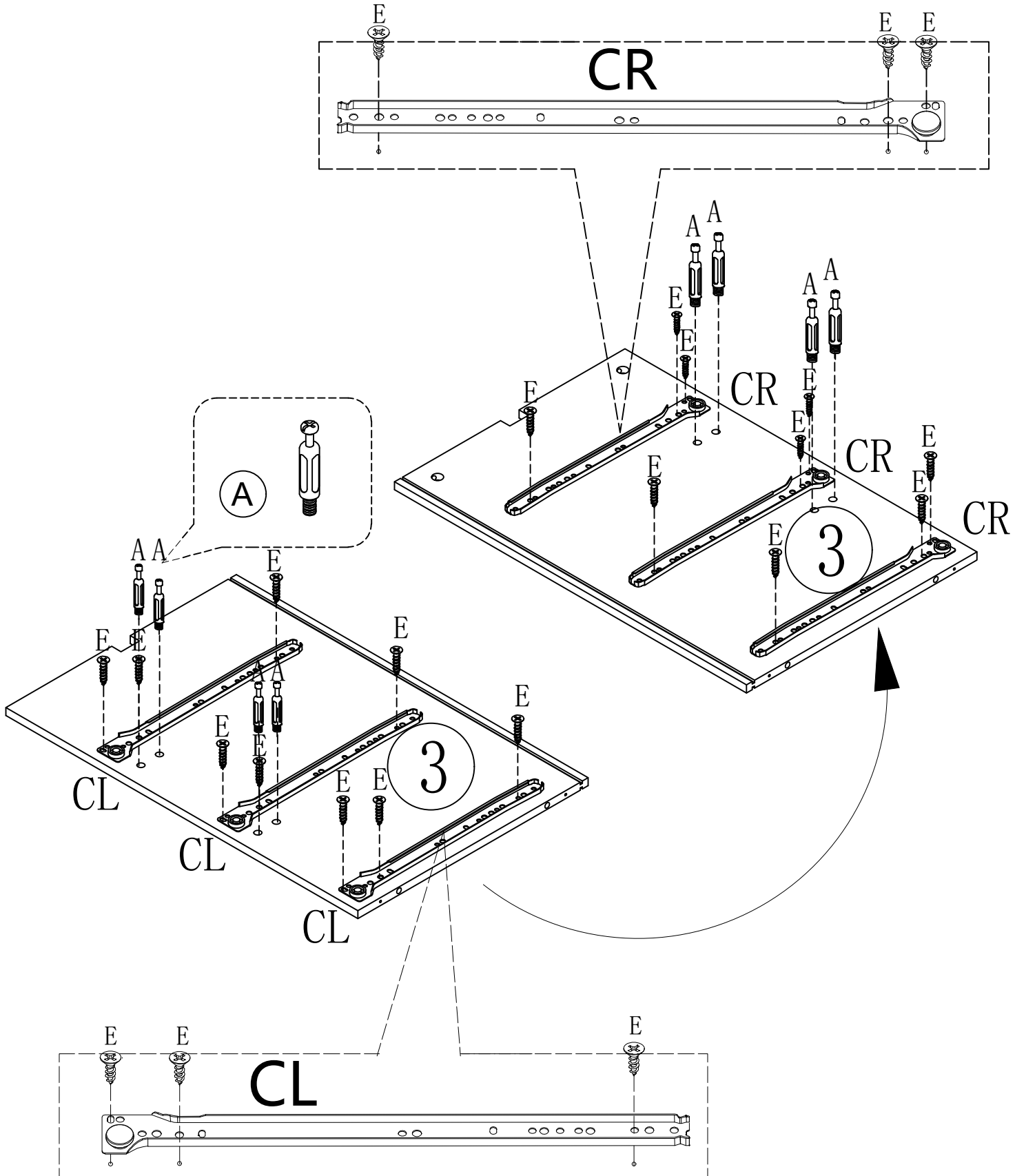
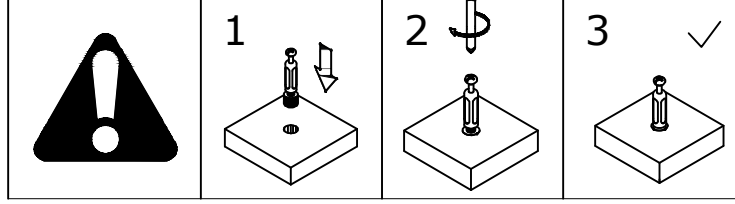
4

A X 8  Ø5 x 40 mm	EX18  3.5 x 12 mm	CL X3 	CR X3 	 
--	--	---	---	---



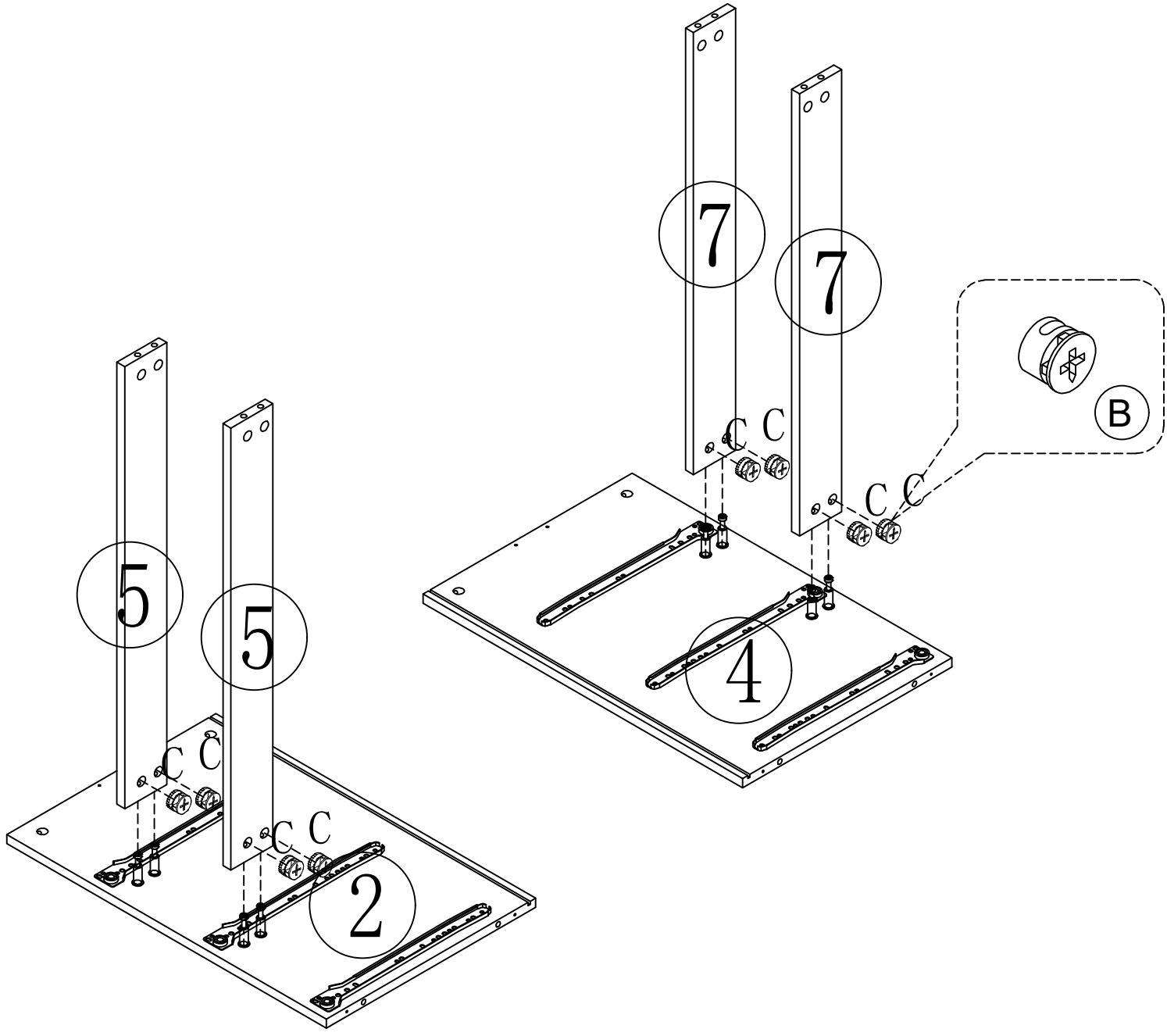
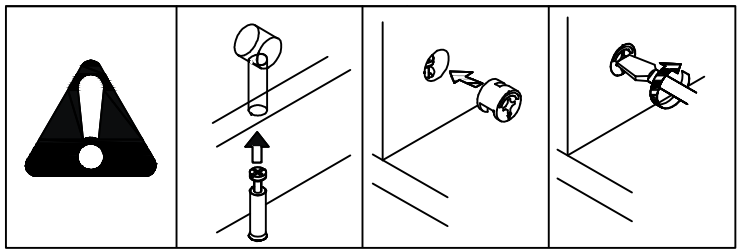
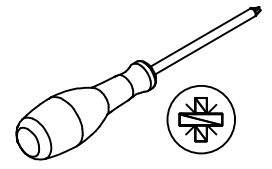
5

A X 8  Ø5x40mm	EX18  3.5 x 12 mm	CL X3 	CR X3 	 
---	--	---	---	---



6

C x 8  
Ø15\*9 mm

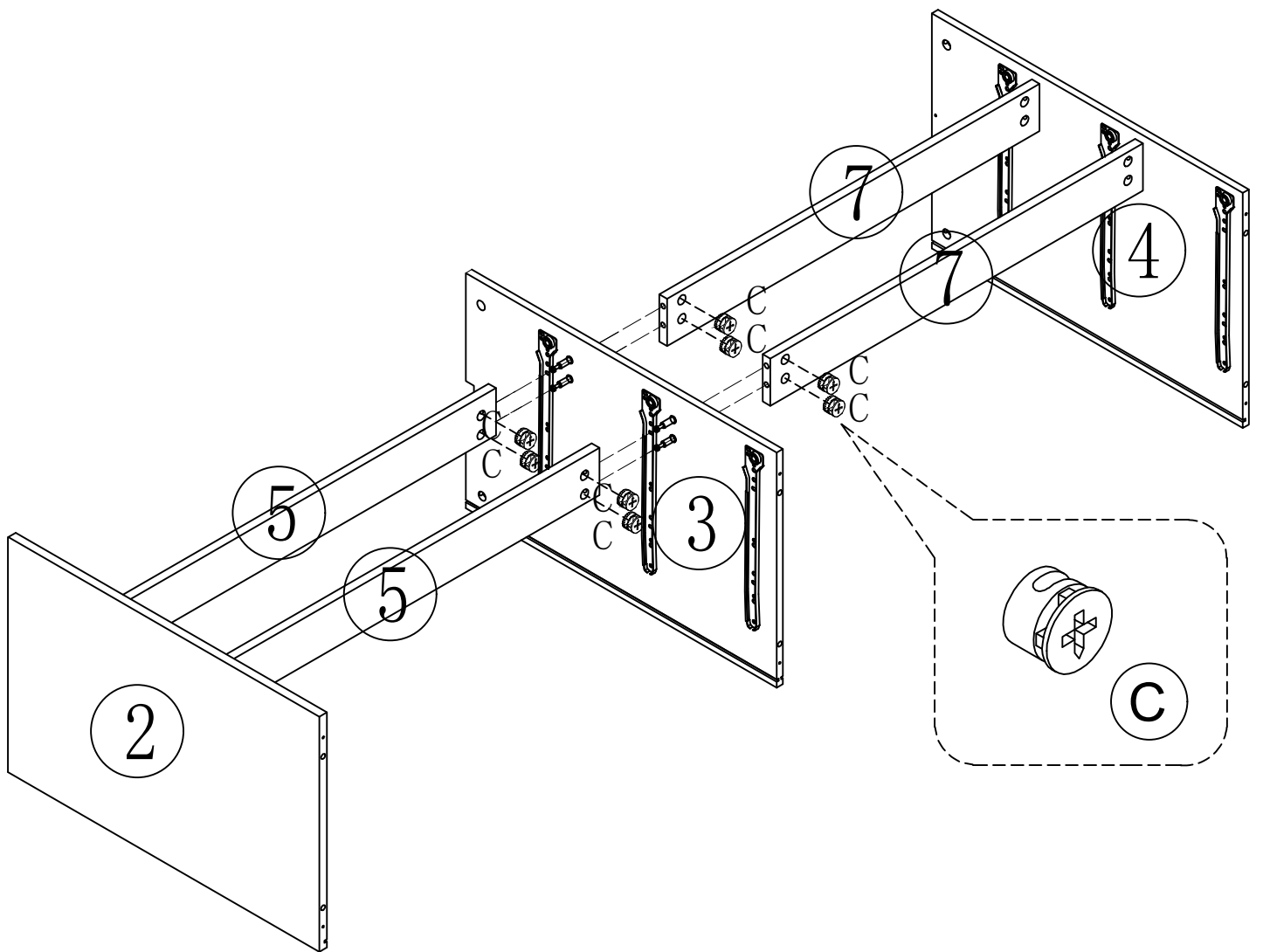
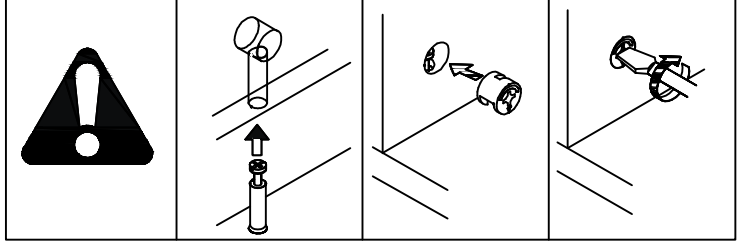
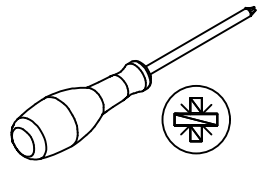


7

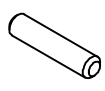

C x 8

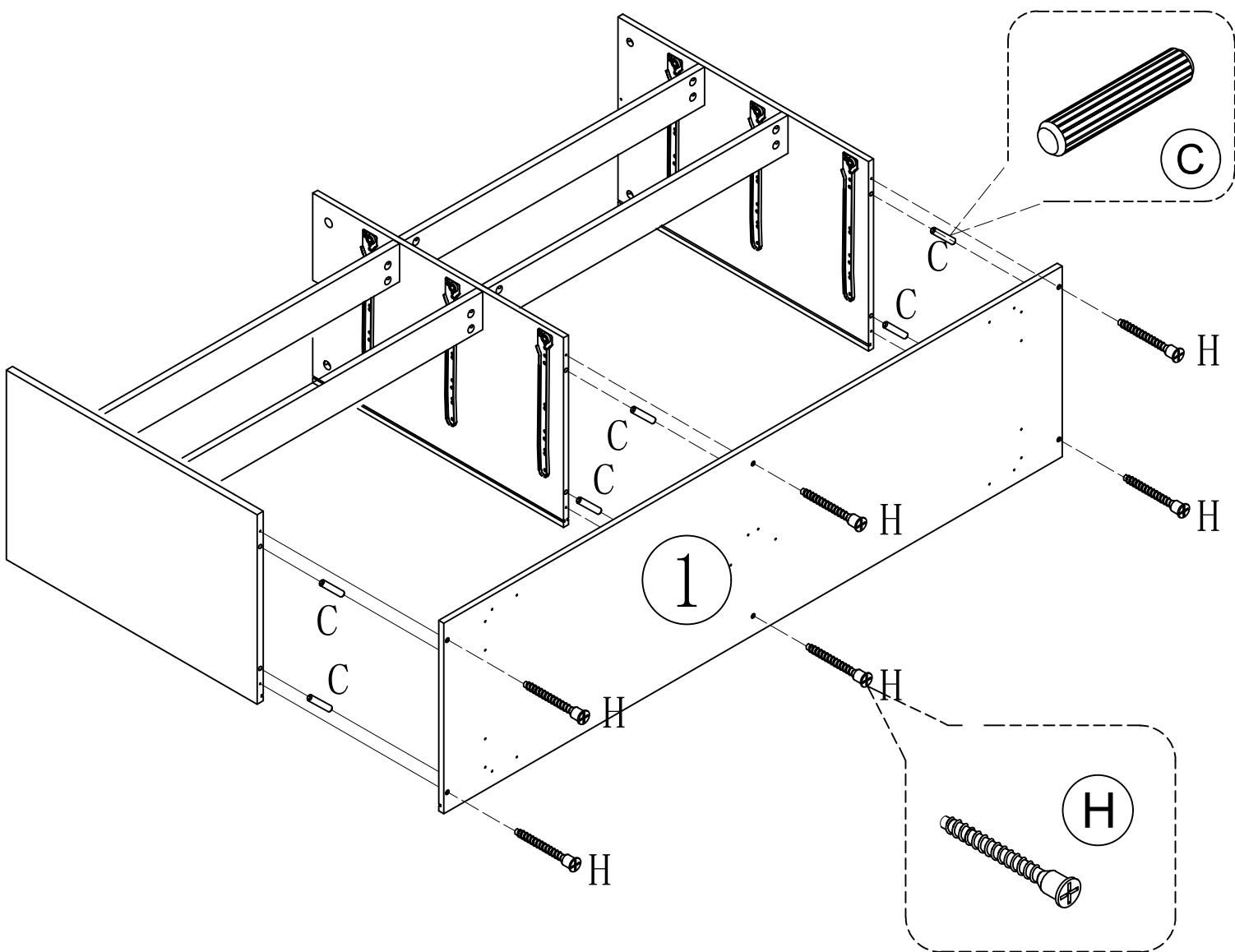
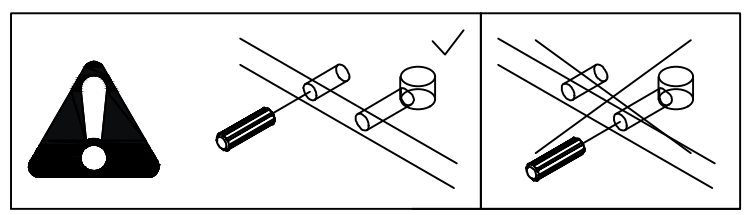
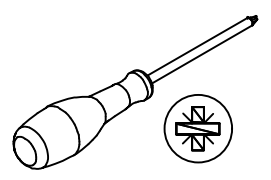


Ø15\*9 mm



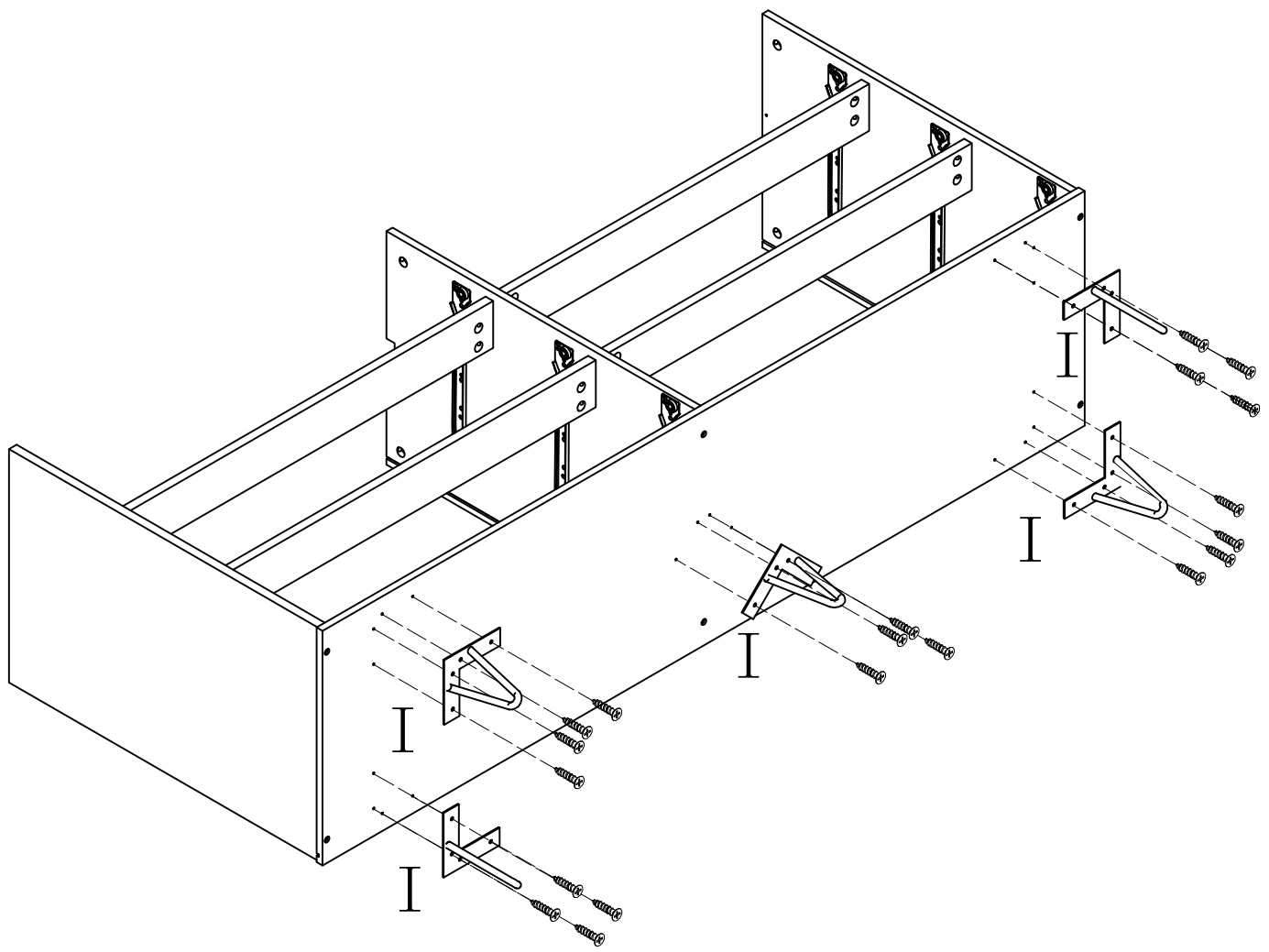
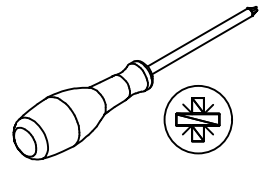

8

CX6  Ø6 x 30 mm	HX6  Ø5 x 38 mm
---	---

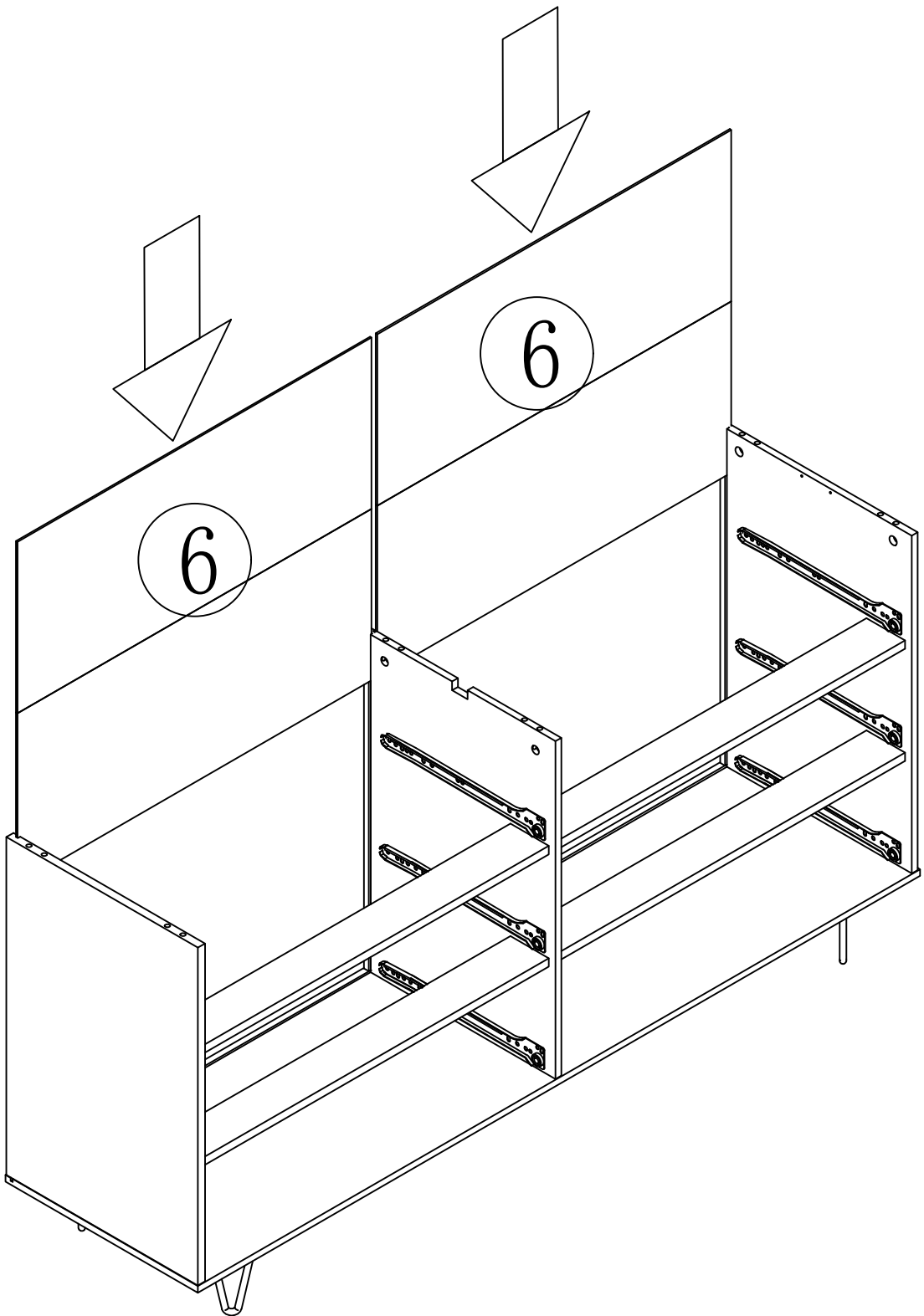
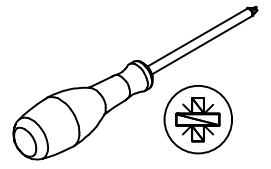


9

I X5



10

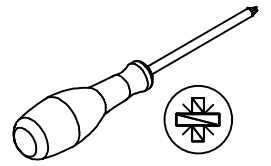


11

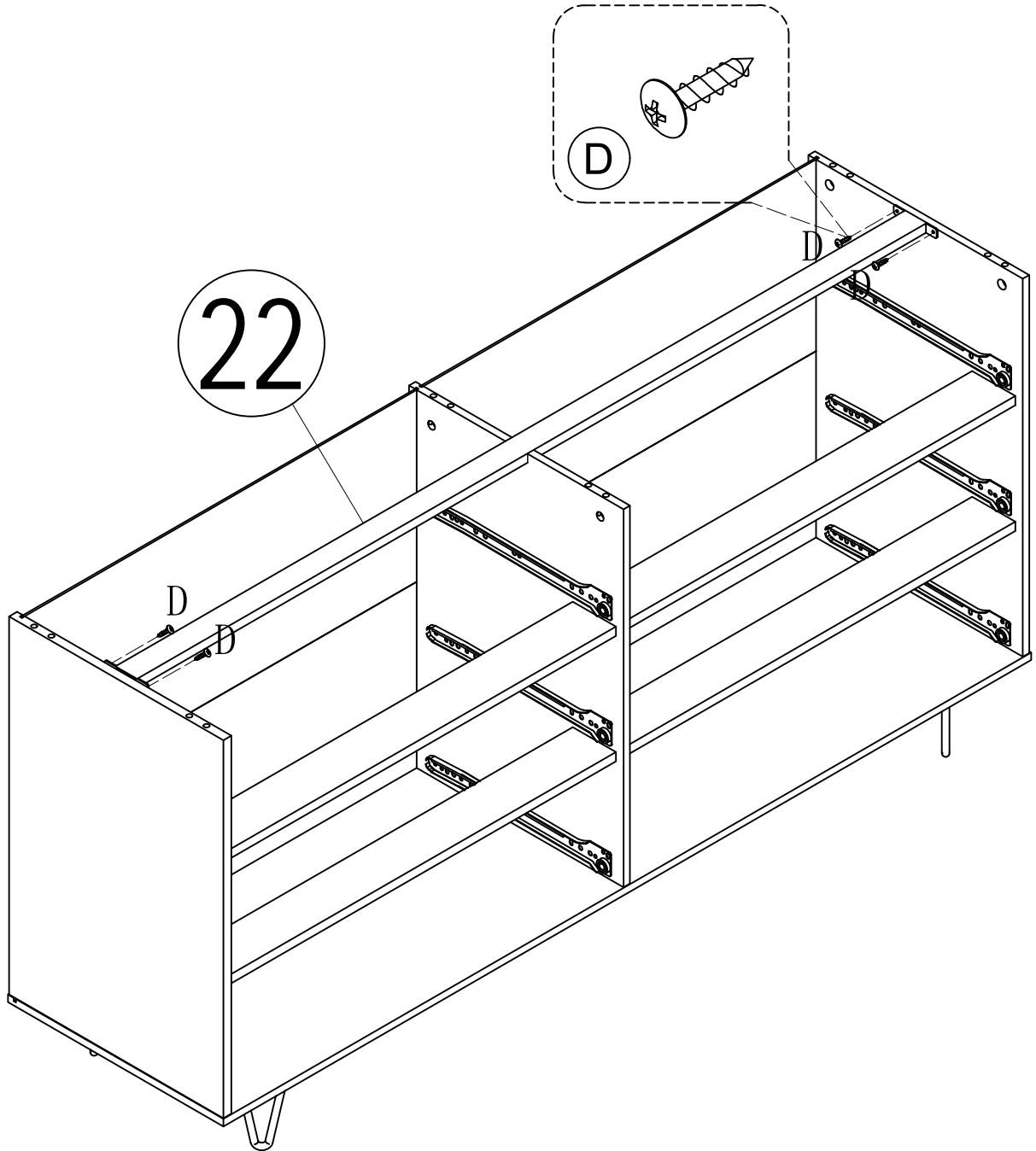
D X 4




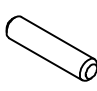
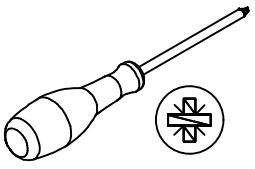

Ø4 x 12 mm


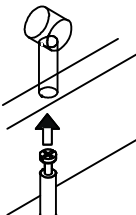



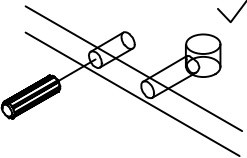
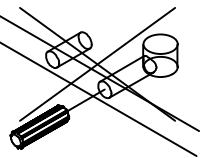


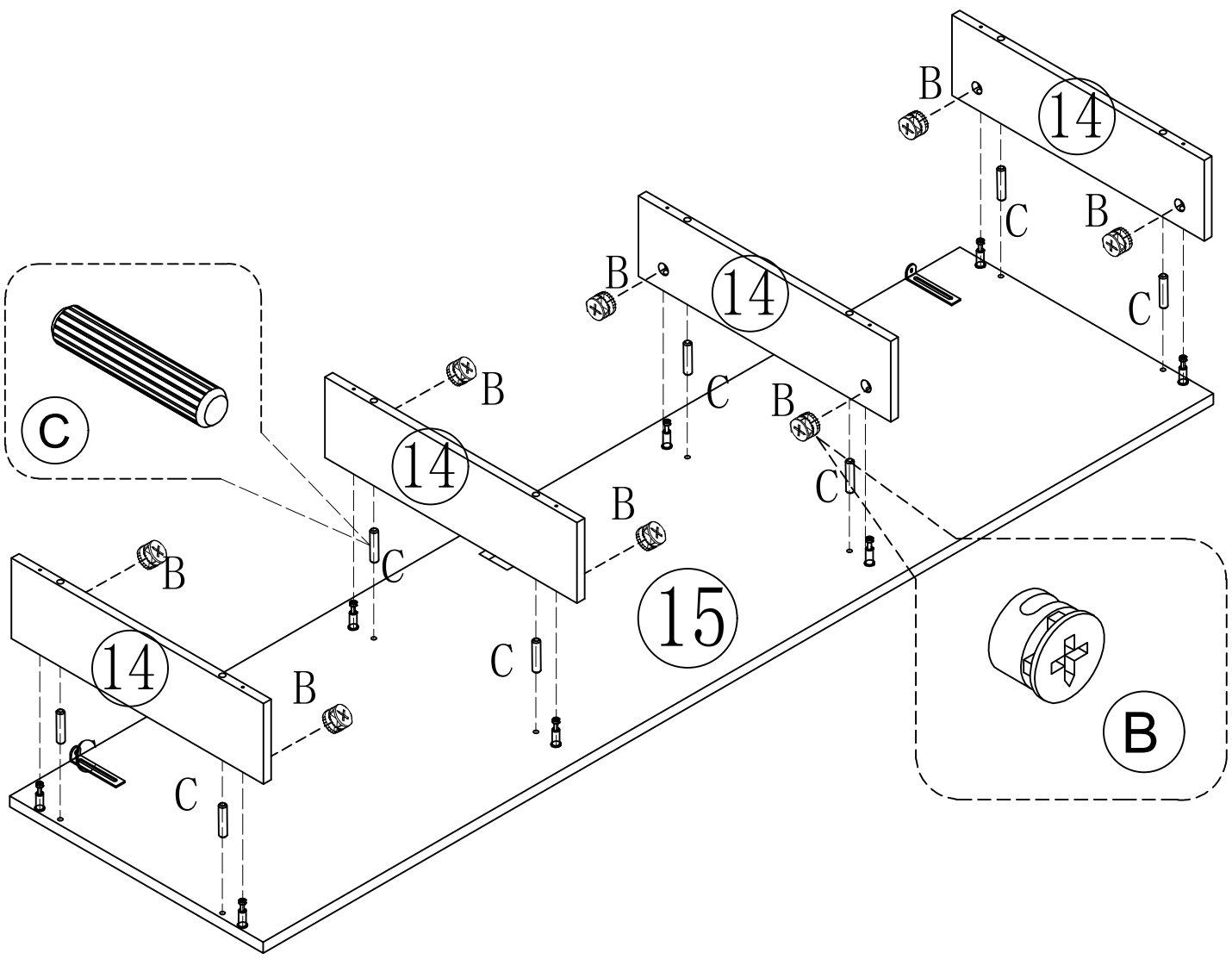
22



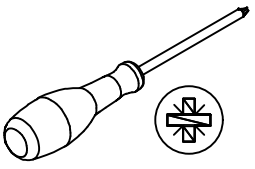
12

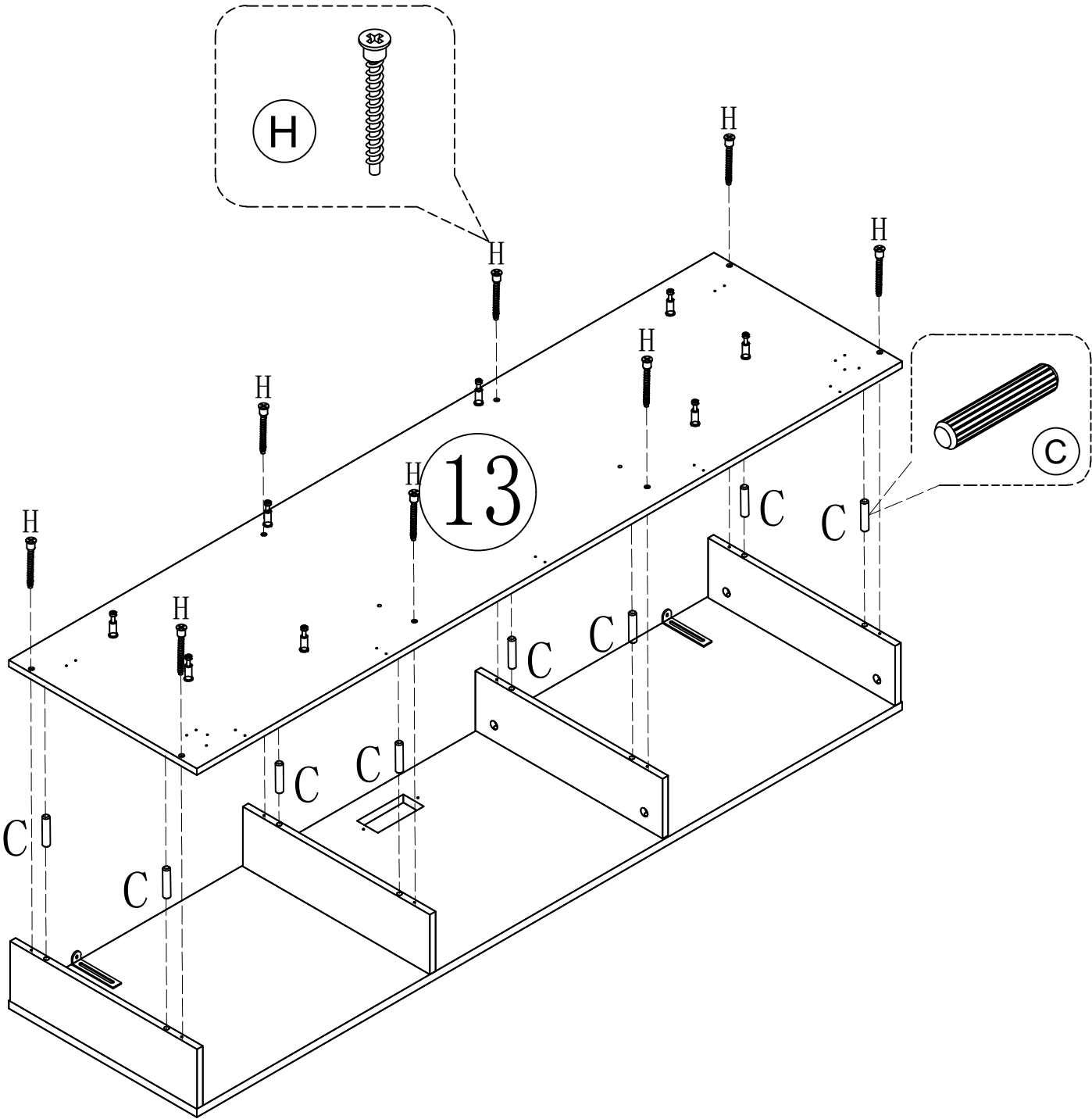
<p>B x 8</p>  <p>Ø15*9 mm</p>	<p>C x 8</p>  <p>Ø6 x 30 mm</p>	 
--	--	--

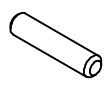


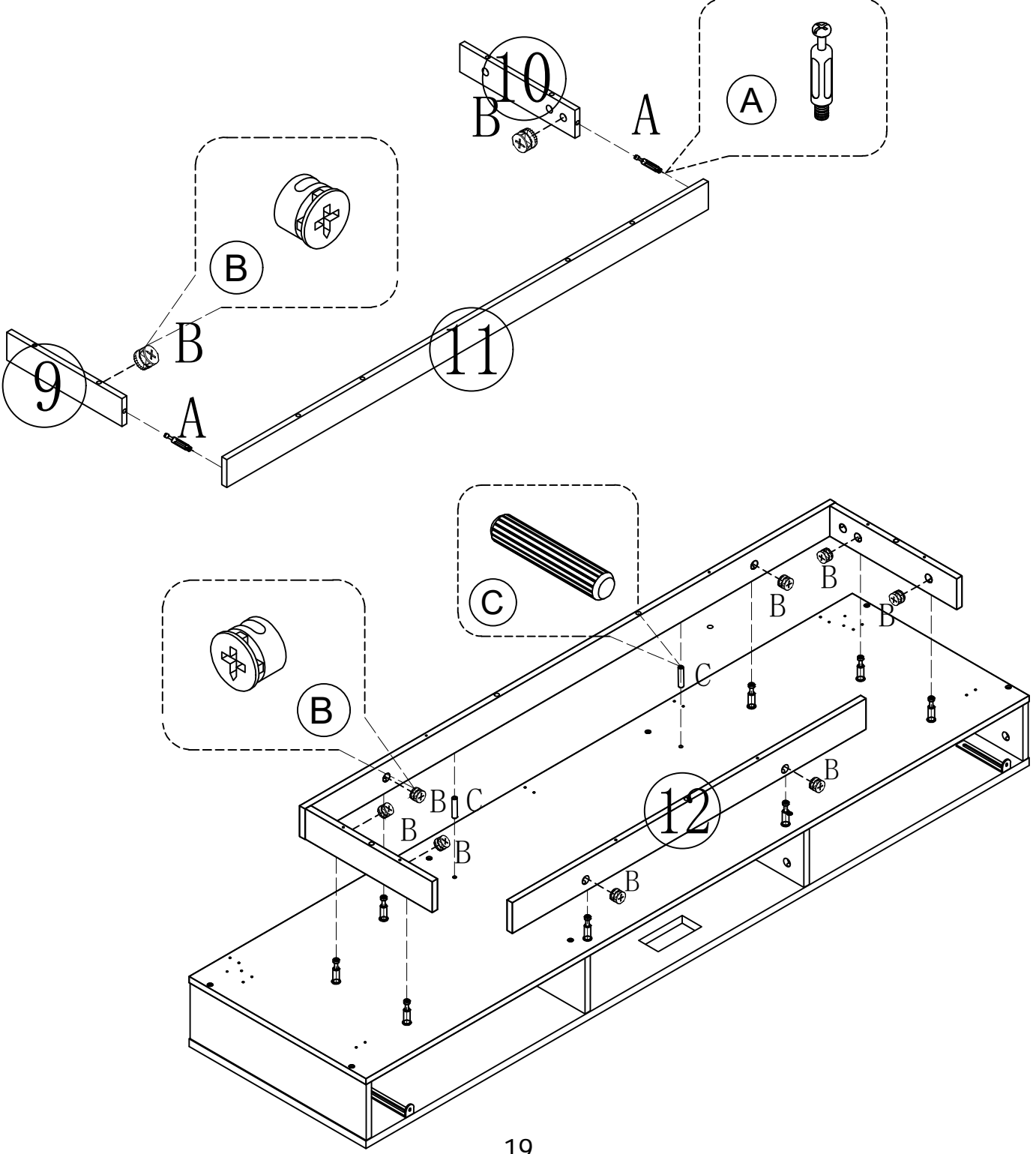
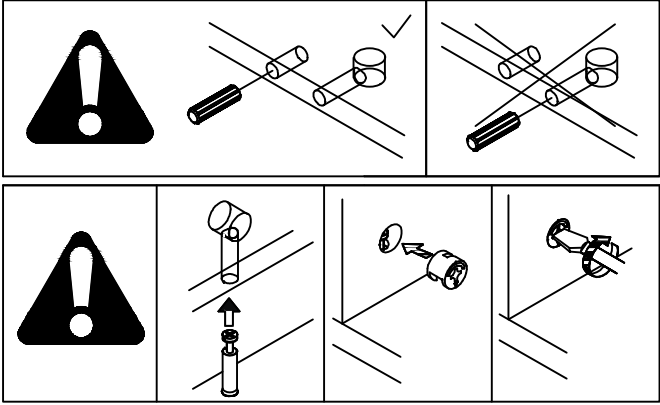
13

<p>C X 8</p>  <p>Ø6 x 30 mm</p>	<p>HX8</p>  <p>Ø5 x 38 mm</p>	 
--	--	--

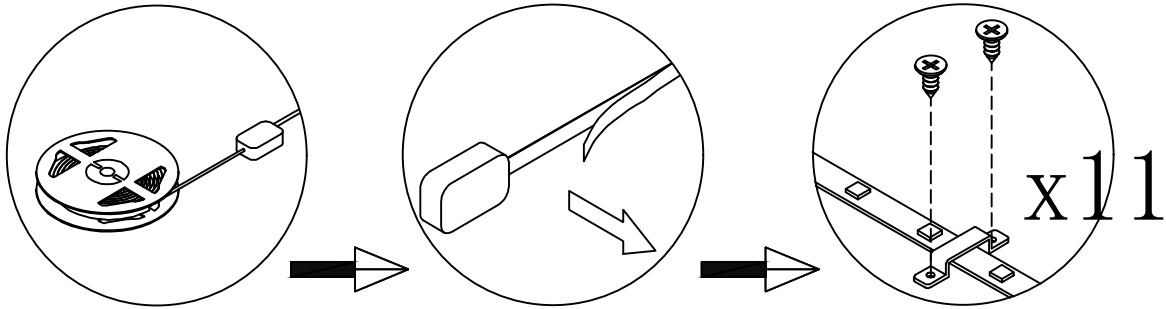
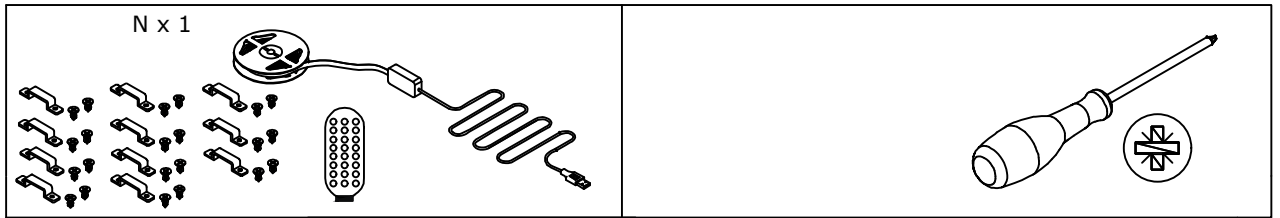


14

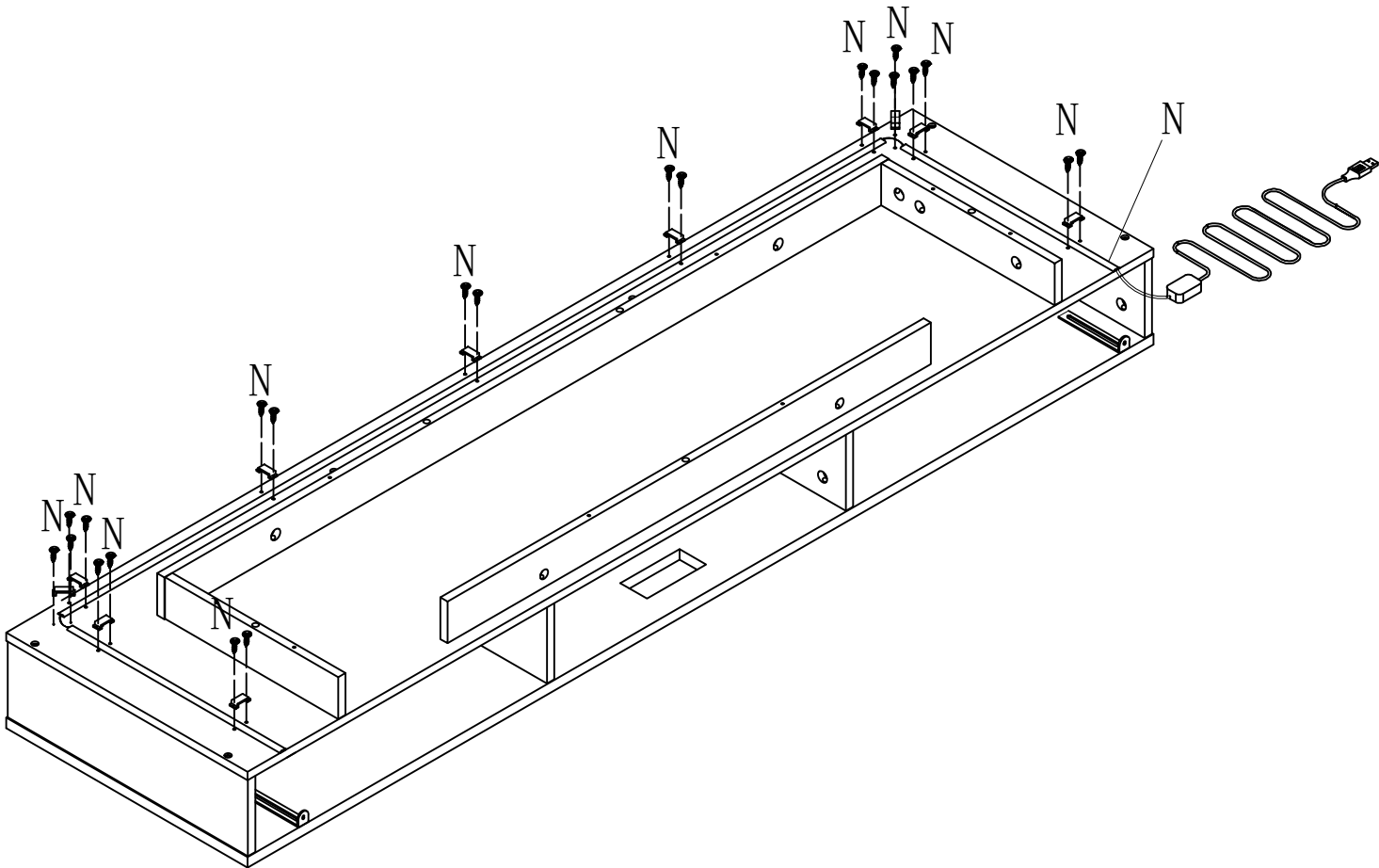
A X2  Ø5 X40 mm	B x 10  Ø15*9 mm	C X2  Ø6 x 30 mm	 
--	---	---	---



15

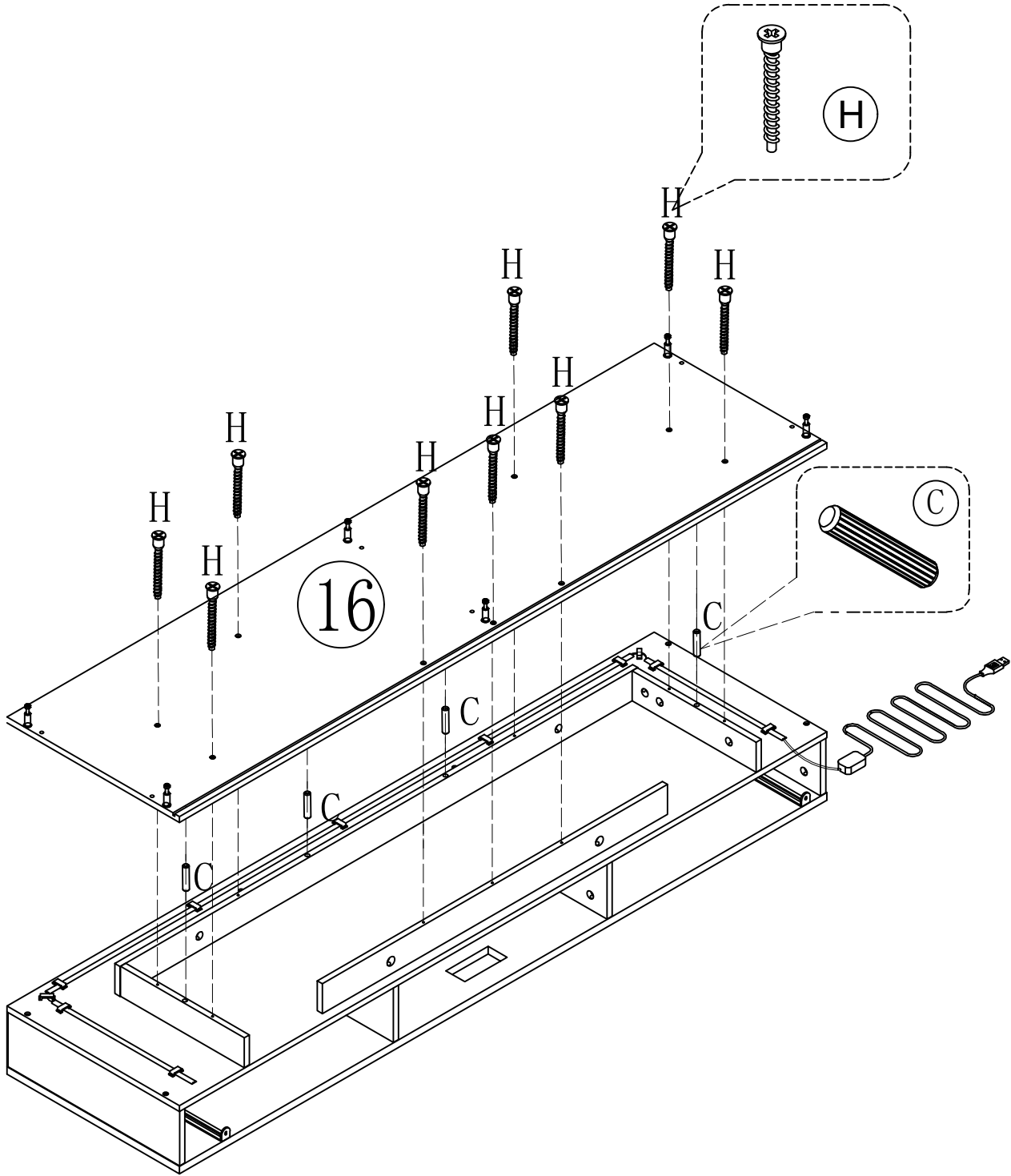


Remove the film before pasting,  
but do not remove the double-sided  
sticky tape together!


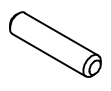
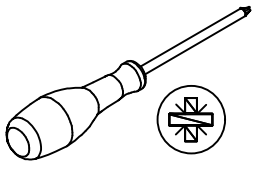


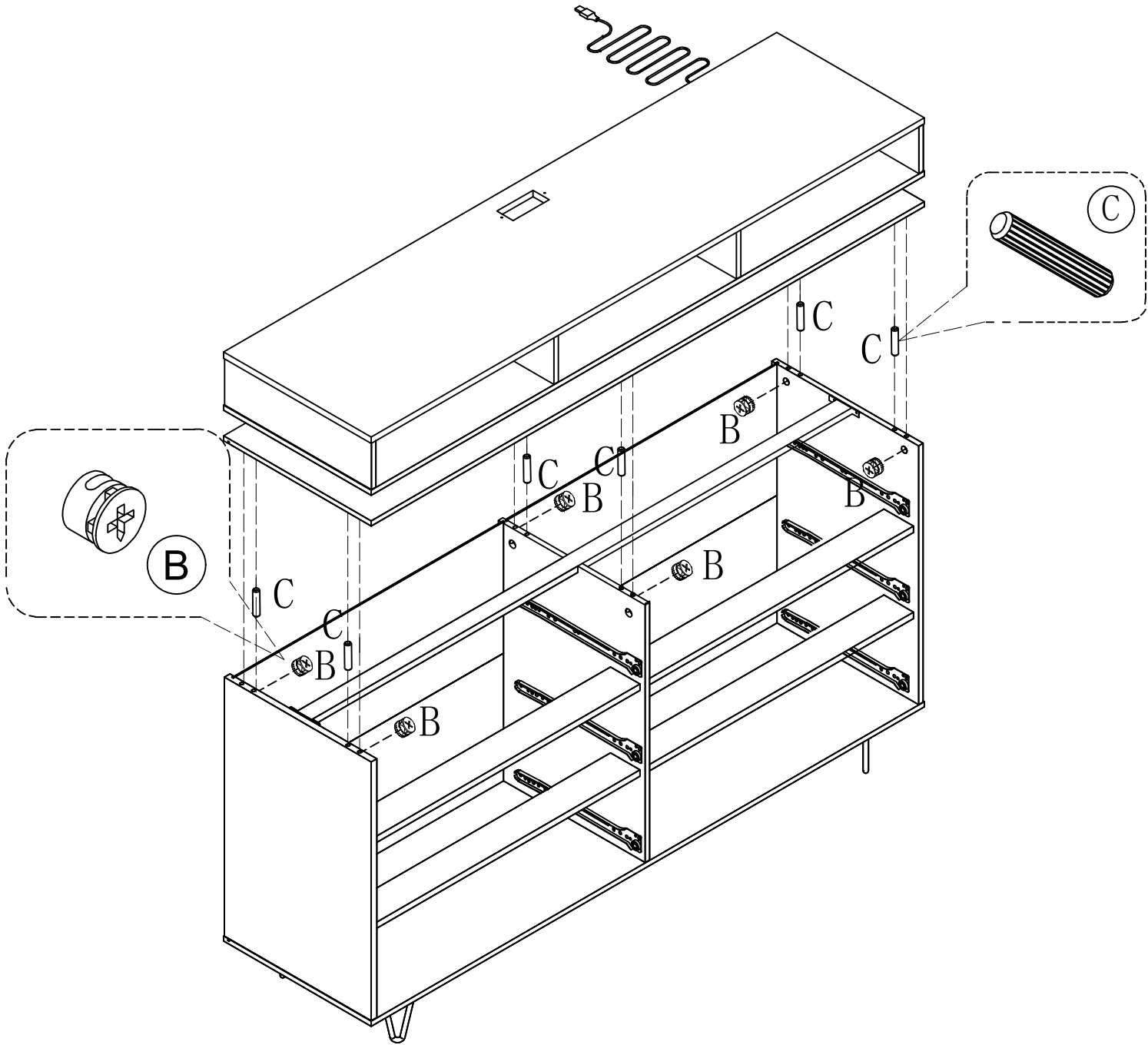
16

<p>CX4</p>  <p>Ø6 x 30 mm</p>	<p>HX9</p>  <p>Ø5 x 38 mm</p>	 
--	--	--

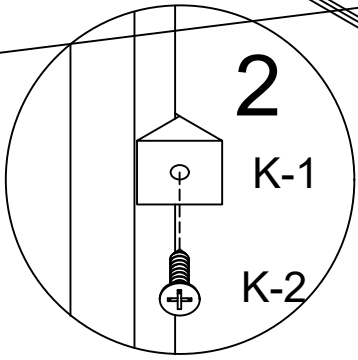
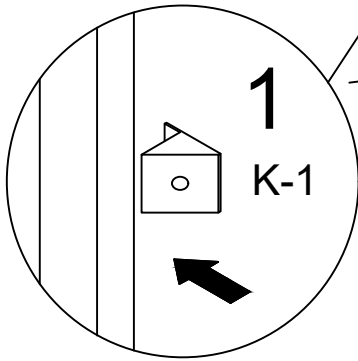
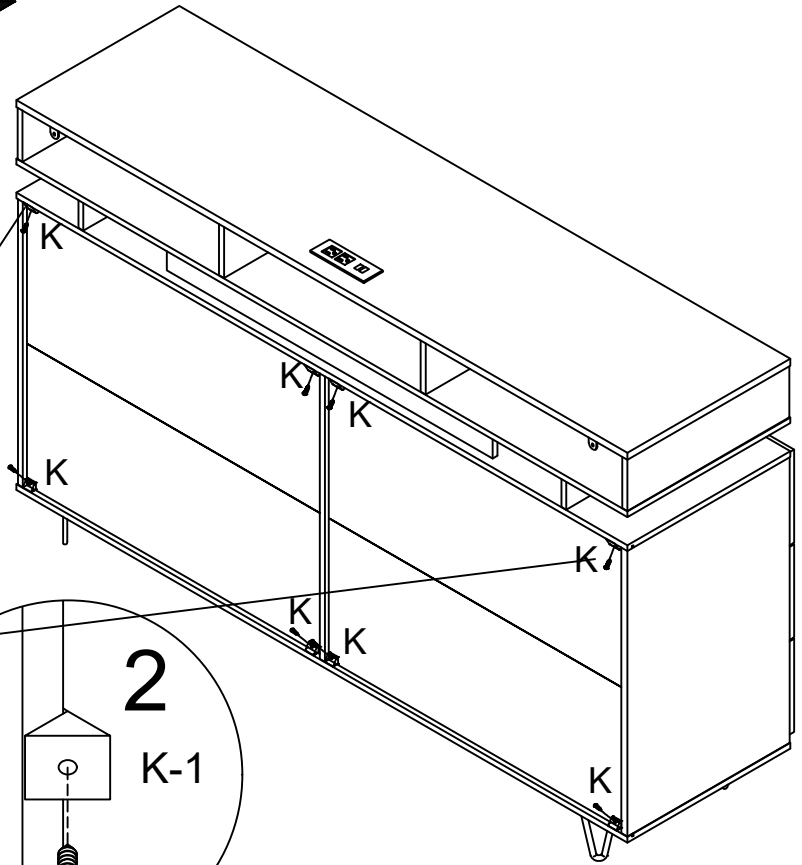
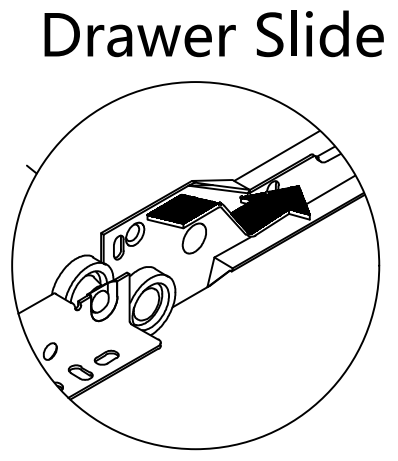
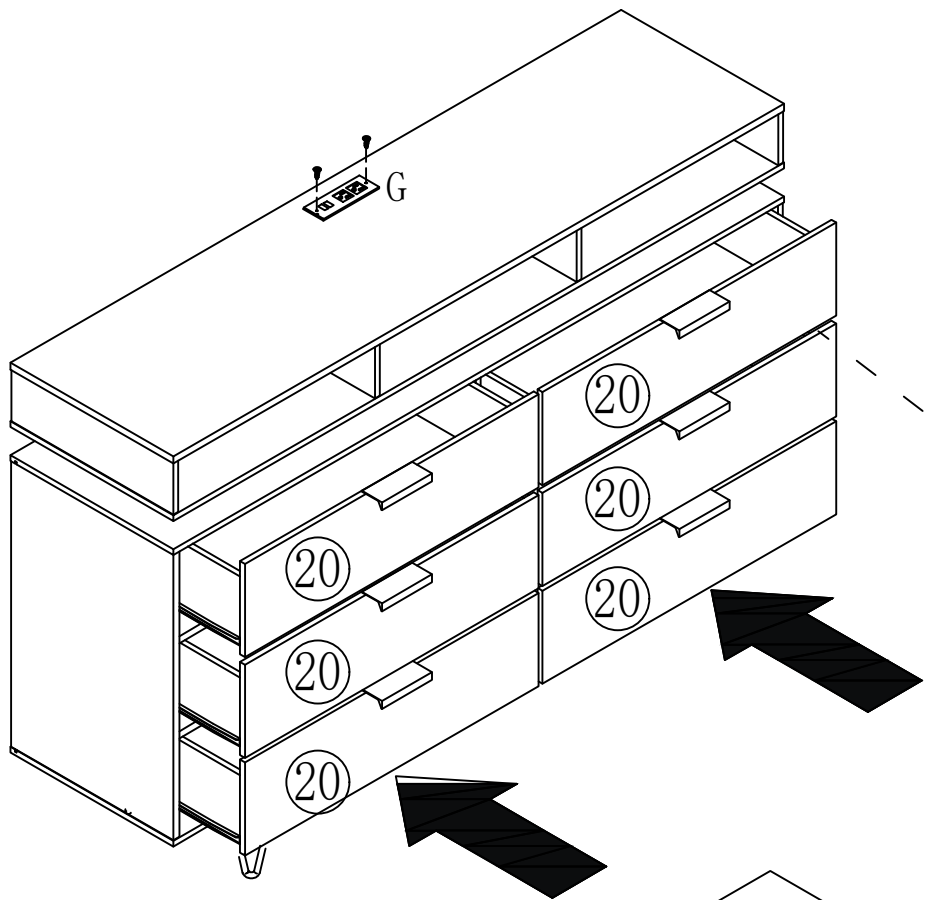
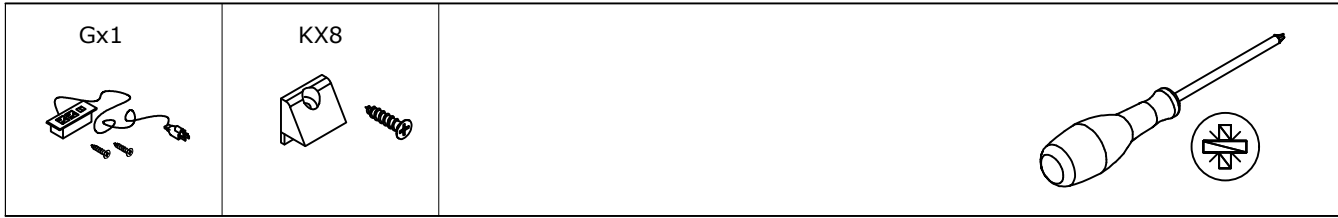


17

<p>B x 6</p>  <p>Ø15*9 mm</p>	<p>CX 6</p>  <p>Ø6 x 30 mm</p>	
--	---	--


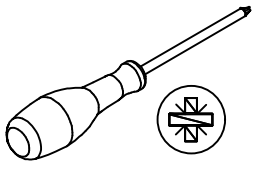


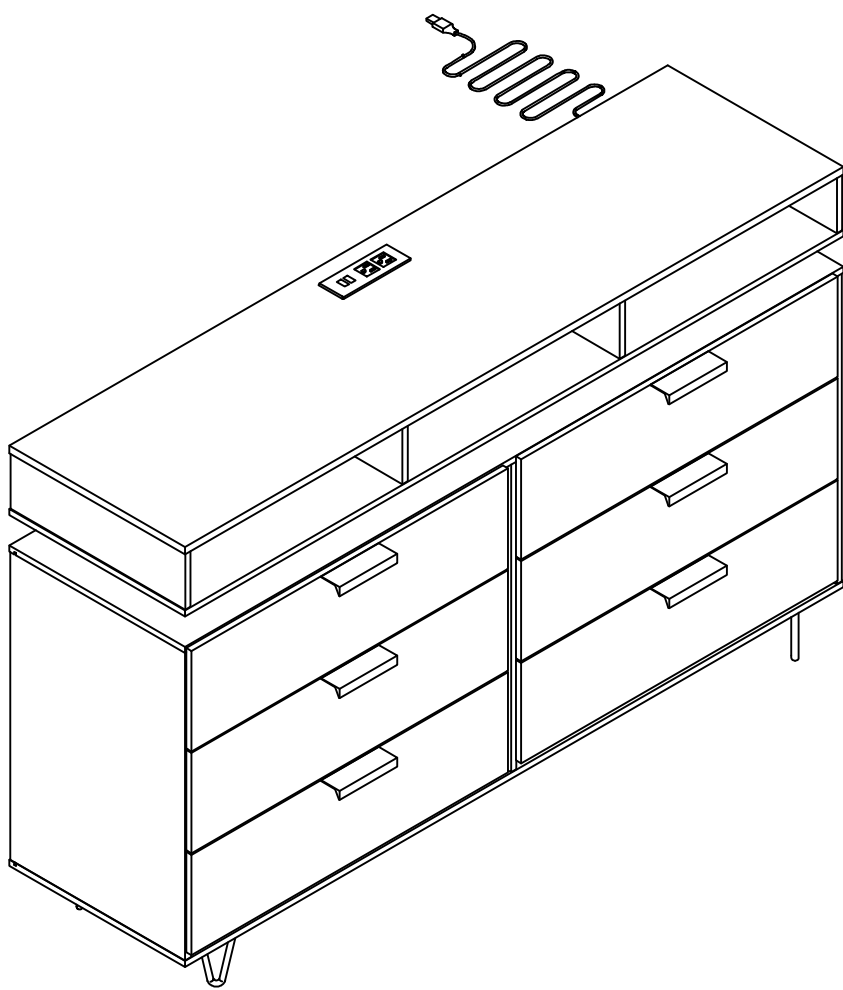
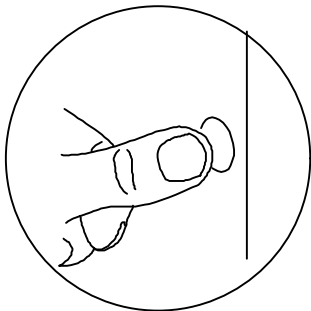
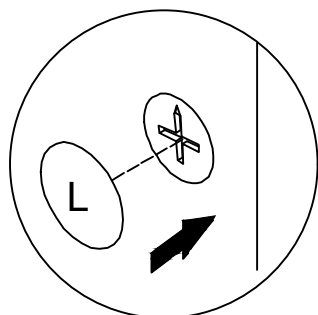
18

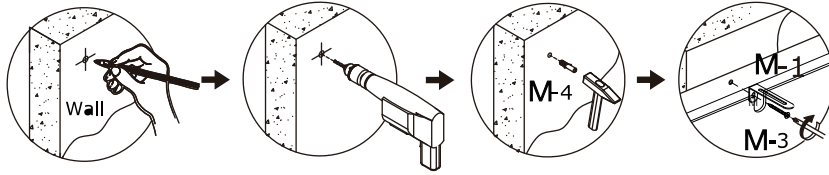
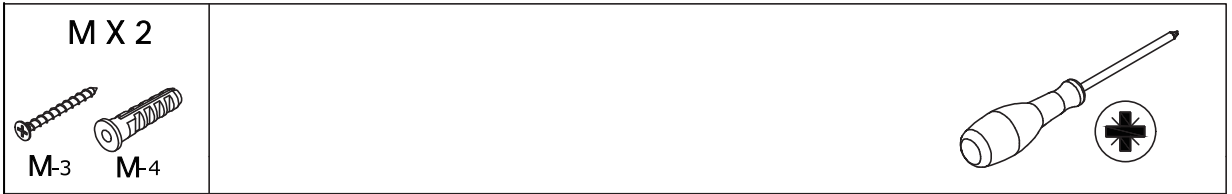


Note: If the hardware I is not installed, it will cause the product shake not firm. Be sure to install back plate buckles as required 23

19

<p>Lx70</p> 	
---	--

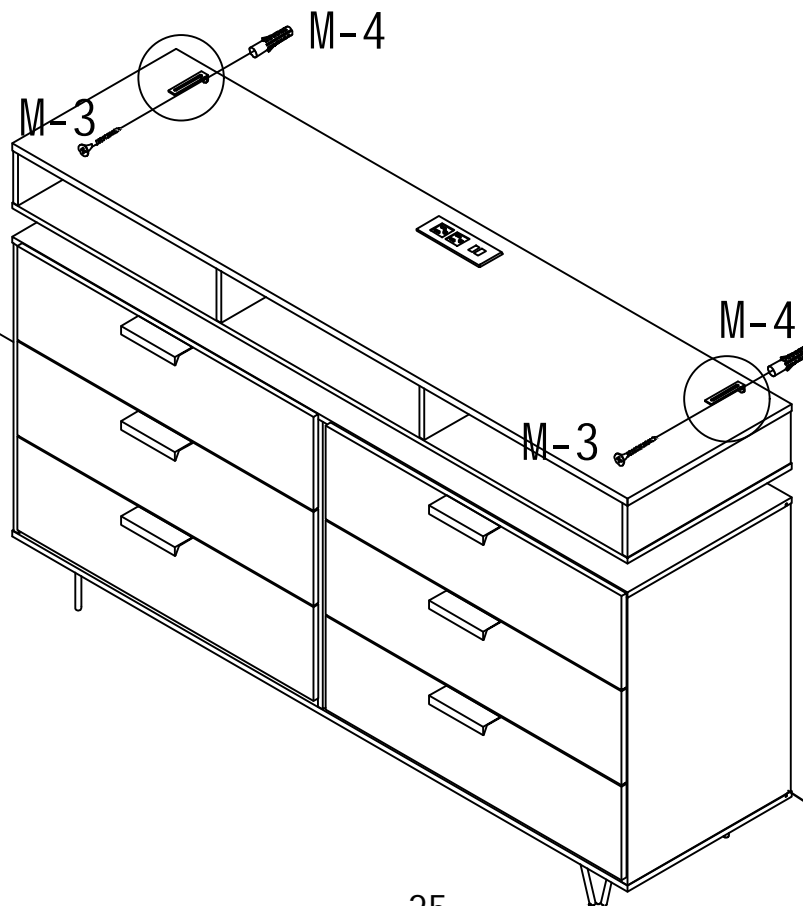




A solid wall	B cavity wall	C solid wood
$\Phi 6\text{mm}$ (1/4)	$\Phi 6\text{mm}$ (1/4)	$\Phi 3\text{mm}$ (1/8)

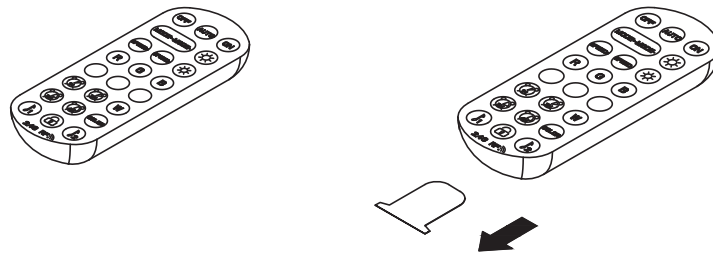
**⚠ Warning:** If you overturn the furniture, it may cause serious or fatal crushing injuries. We have a wall connection device attached, please use it to hold the furniture following these instructions.

1. Mark the corresponding hole positions where you want to place the furniture;
2. Use a impact drill to drill holes and pay attention to avoid wires and water pipes;
3. Knock the expansion pipes into the wall holes;
4. Place the furniture in the corresponding position and tighten the wall connection device with screws, and Lock the M-2 screw tightly.



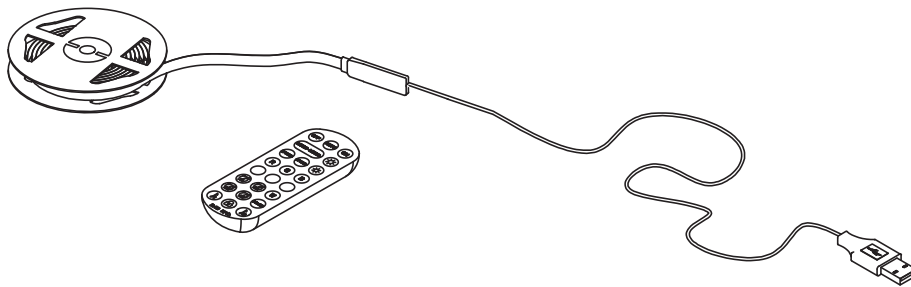
-LED lamp with effective remote control distance of 5 meters

---



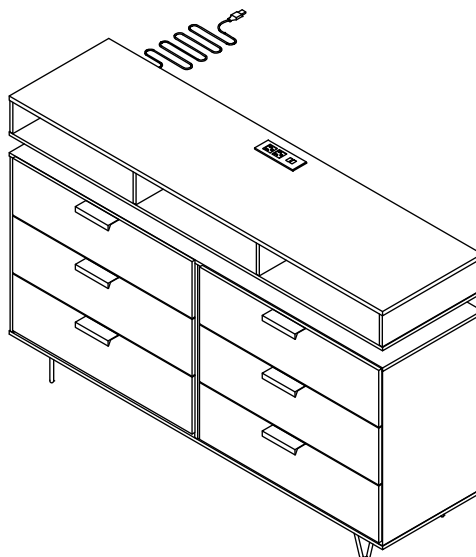
1. Take out the remote control gasket

---



2. Align remote controller to the RGB Control box to adjust the color mode

---



- Installation complete.

---