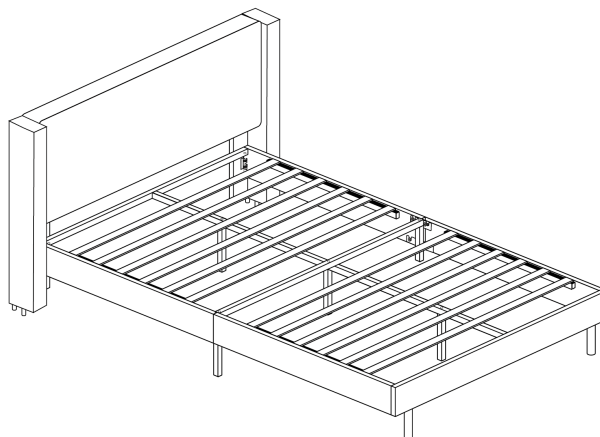
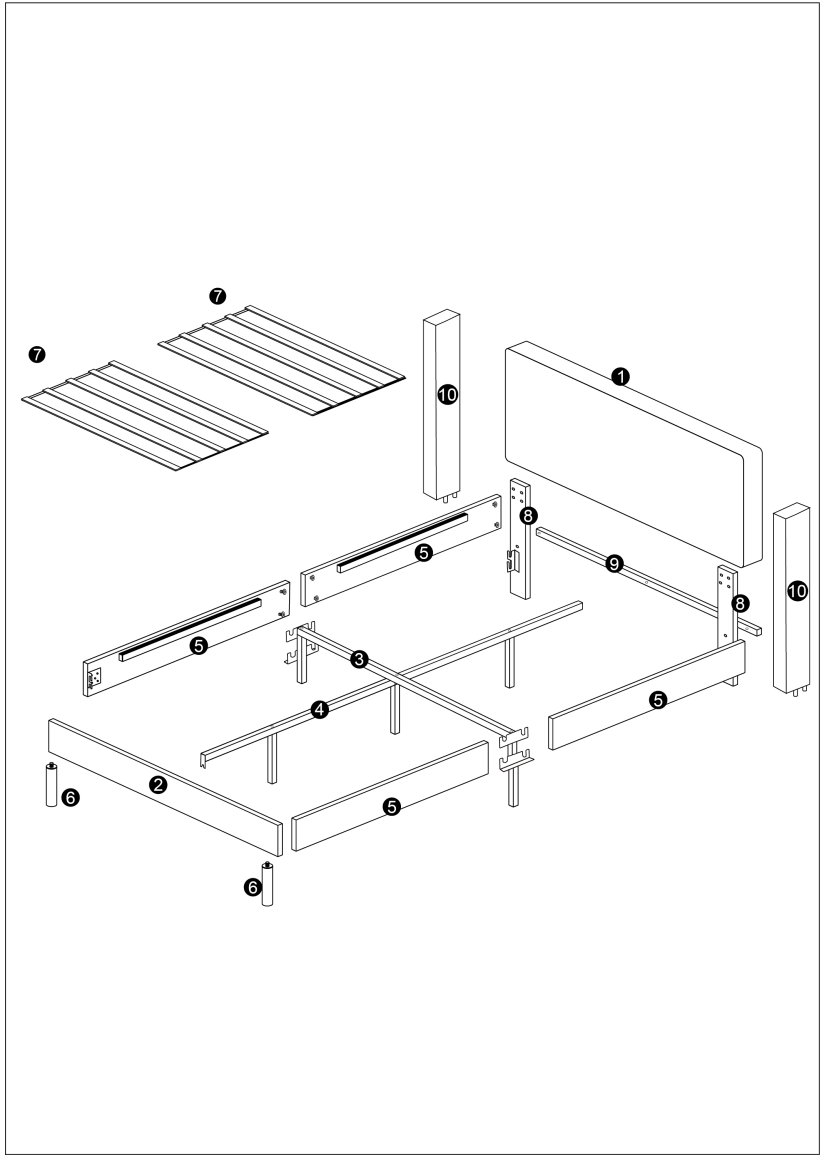


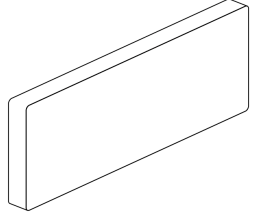
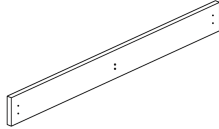
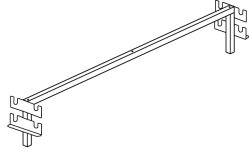
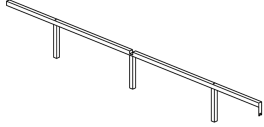
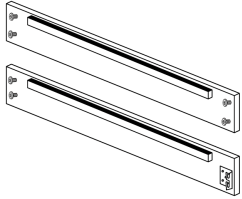

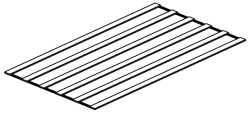
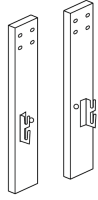
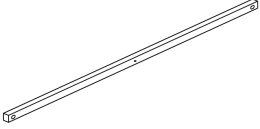
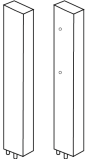
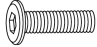
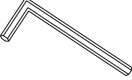
Installation Manual of Bed



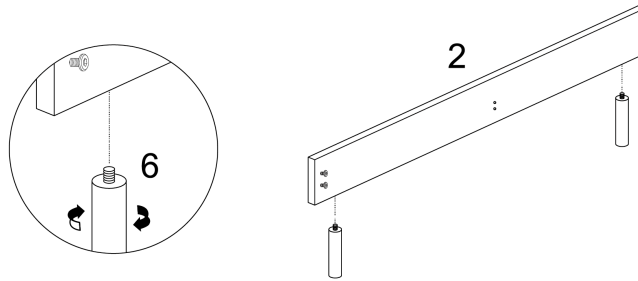
IMPORTANT NOTE

1. Please check that all parts are complete before installation.
2. Please strictly follow the installation steps to install.
3. Please install the bed on a clean and smooth surface to prevent any damage.
4. Please do not use the power tools to assemble the bed.
5. Please periodically check all the fittings and re-tighten as necessary.
6. Please do not use the bed unless all bolts and screw are firmly secured.
7. Please contact us if you need any help, we will reply you in six hours.

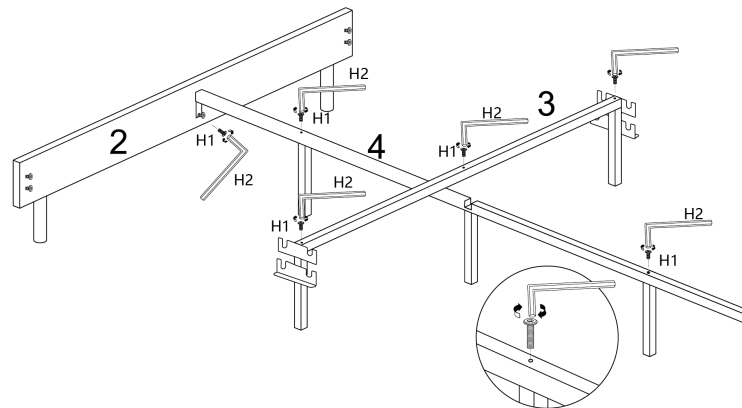


PART LIST		
<p>(1) Headboard panel x 1pcs</p> 	<p>(2) Tailboard x 1pcs</p> 	<p>(3) Transverse center x 1pcs</p> 
<p>(4) Center support bar x 1pcs</p> 	<p>(5) Side panel x 4pcs</p> 	<p>(6) Leg with anti-slip gasket x 2pcs</p> 
<p>(7) Slat x 2pcs</p> 	<p>(8) Headboard support x 2pcs</p> 	<p>(9) Headstock bar x 1pcs</p> 
<p>(10) Bed stack</p> 		
PART LIST		
<p>(H1) Bolt M8x35mm x 22pcs Bolt M8x20mm Spare parts x 1pcs</p> 	<p>(H2) Allen Key M5 x 1pc (Installation tool)</p> 	

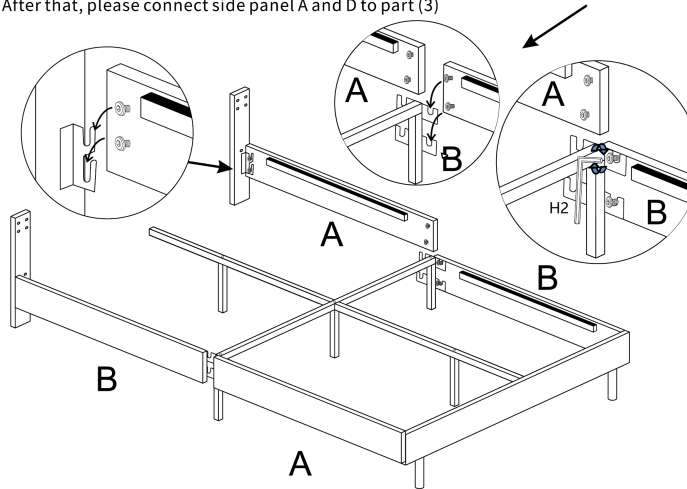
Step 1 Please install part (6) to part (2) separately



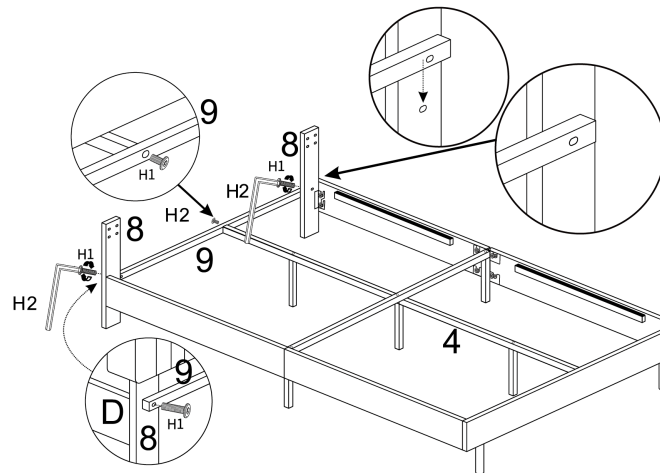
Step 2 Please install part (2) and (3) on part (4) and tighten the blots (H1)



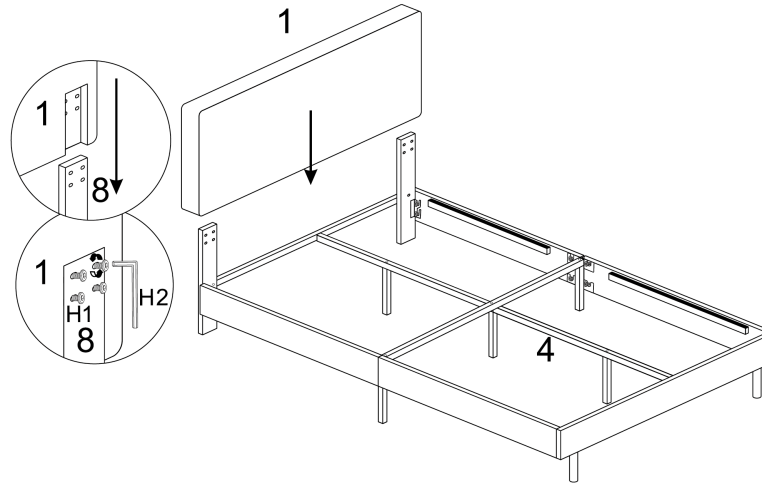
Step3 Please connect side panel A to Headboard support A, connect side panel D to Headboard support D. And then connect Side Panel B and C to part (2) and (3) as pictures showed. After that, please connect side panel A and D to part (3)



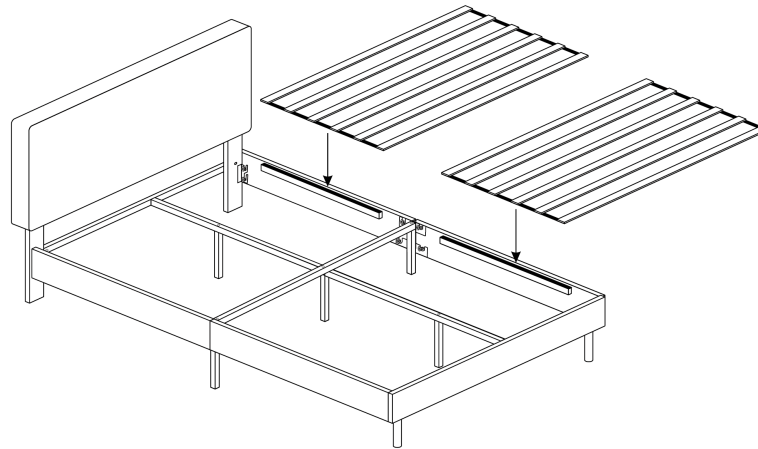
Step 4 Please connect part (9) to side panel A and D from top to bottom, and Rotate it by 90° as picture showed. And then connect the part (9) to the part (4) and (8) with the bolt (H1)



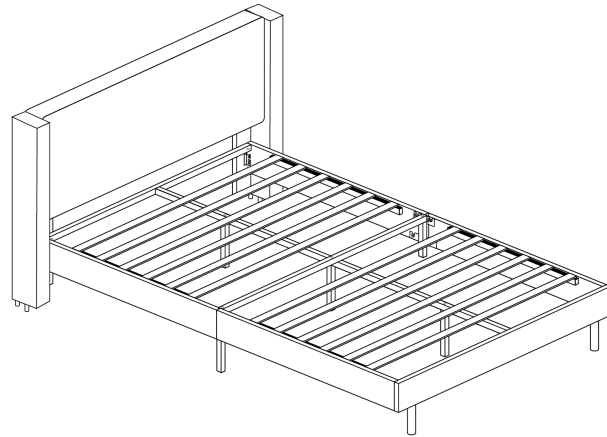
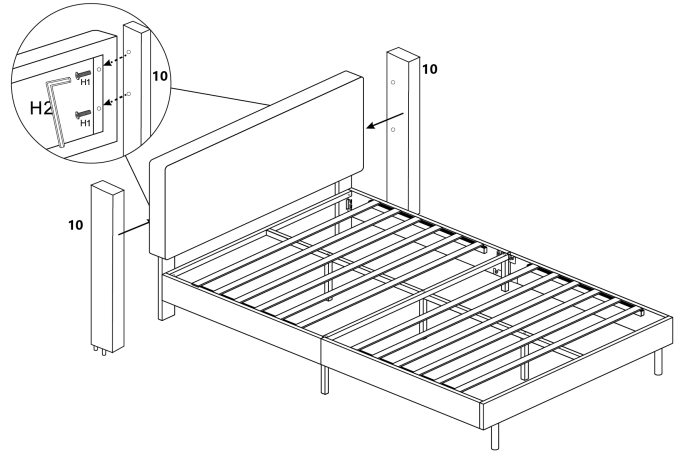
Step 5 After that, connect the part (1) to the headboard support and tighten the blots (H1)

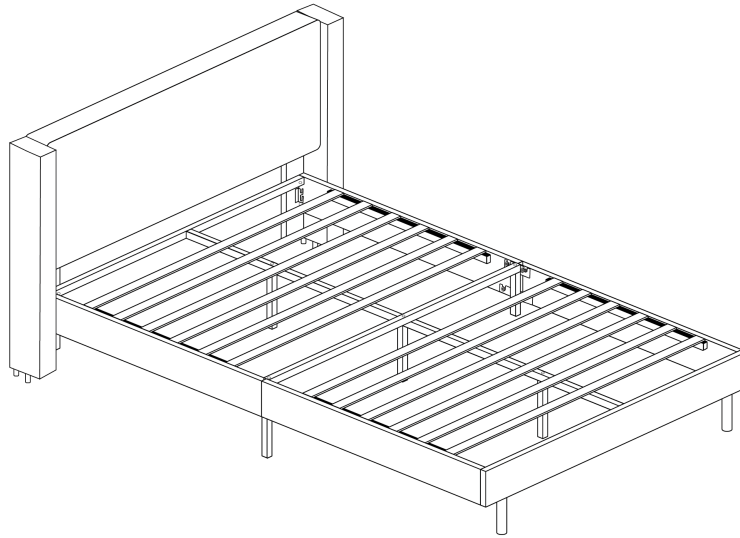


Step 6 Attach the part (7) to the Velcro on the part (5)



Step 7 The bolts (H1) are tighten from backside of the headboard, tight the bolts (H1) and parts (10) through the holes inside the headboard.





Job complete!

In the interest of our environment, please dispose
of all packaging thoughtfully, thanks!

We' love to hear from you!