

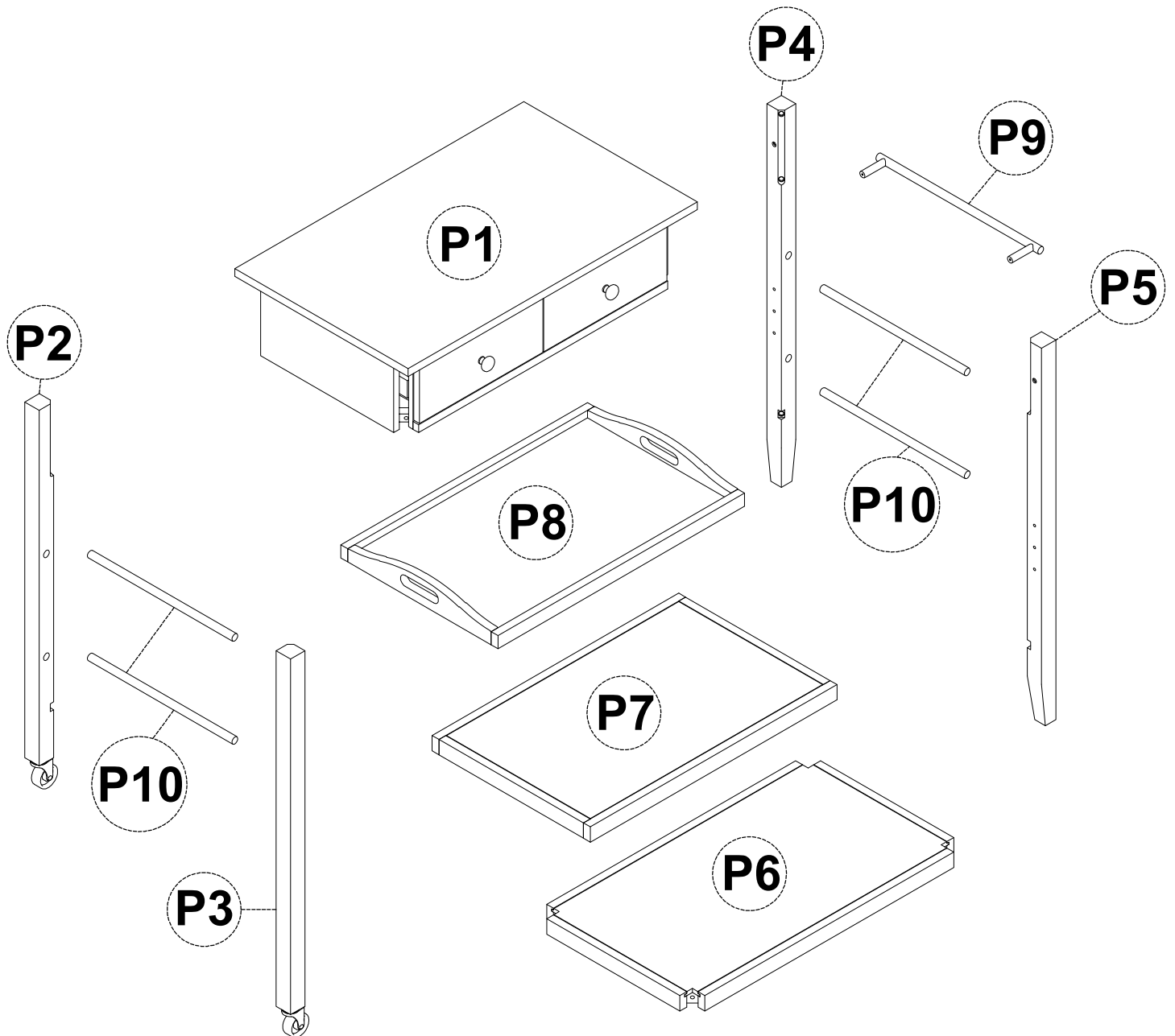
Assembly instruction

Mobile Kitchen Island Cart



Assembly instruction

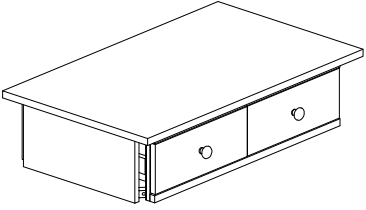
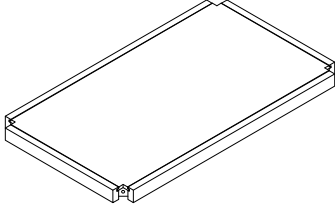

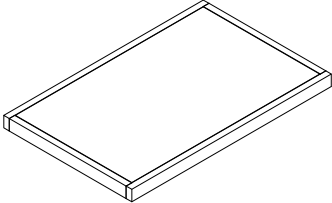
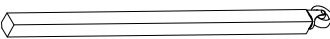
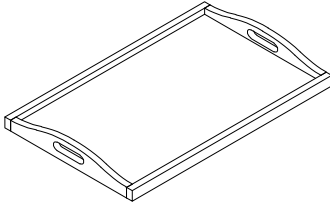
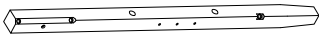
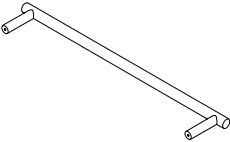
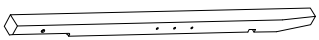
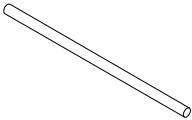
Mobile Kitchen Island Cart



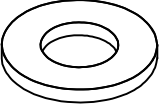


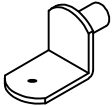
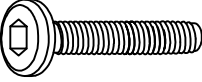
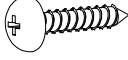
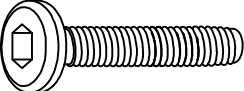
Assembly instruction

Mobile Kitchen Island Cart

Part List

P1 Top frame with drawer 	P6 Bottom Shelf 
P2 Back Left Leg with caster 	P7 Middle Shelf 
P3 Front Left Leg with Caster 	P8 Serving tray 
P4 Back Right Leg 	P9 Handle 
P5 Front Right Leg 	P10 Horizontal bar 

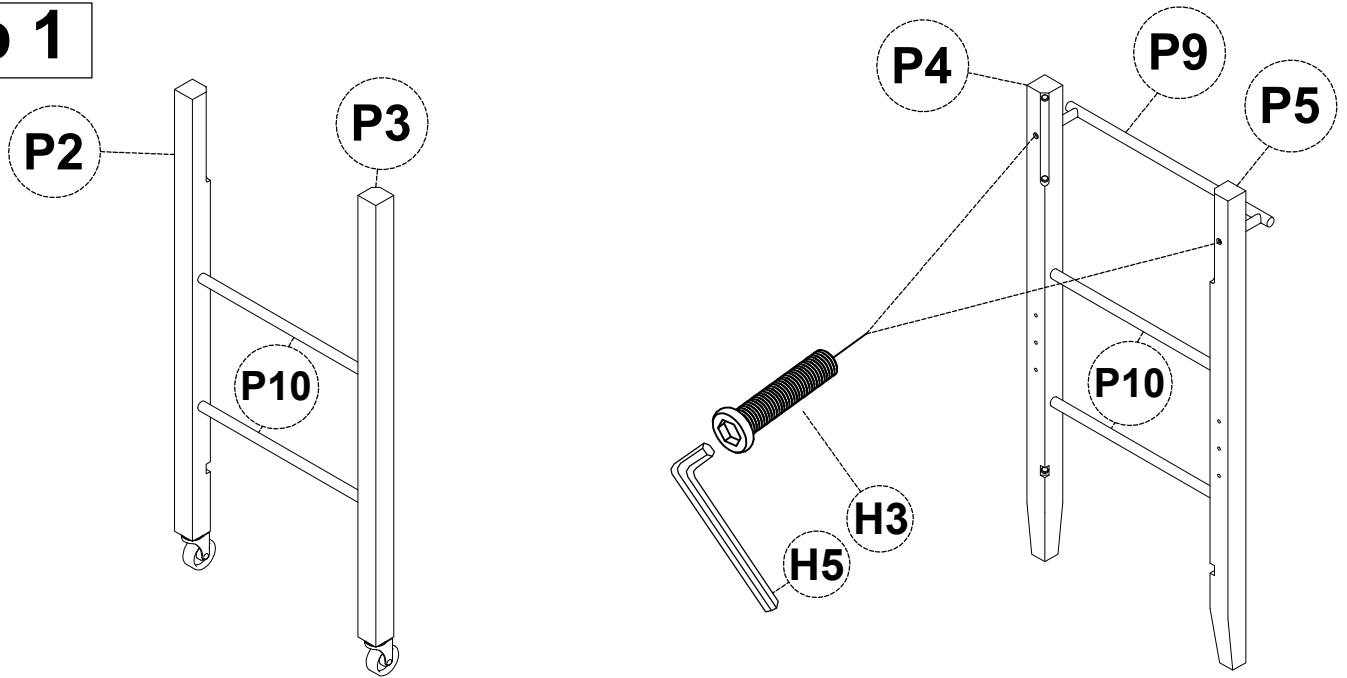
Hardware List

H1 1/4"* 16mm Flat Washer (12pcs) 	H5 Allen key - 1pc 
H2 1/4" x 11mm Spring Washer (12pcs) 	H6 Shelf pin - 4pcs 
H3 1/4" x 50mm Hex- Head Bolts (10pcs) 	H7 Screw - 4pcs 3.5*15mm 
H4 1/4" x 60mm Hex- Head Bolts (4pcs) 	

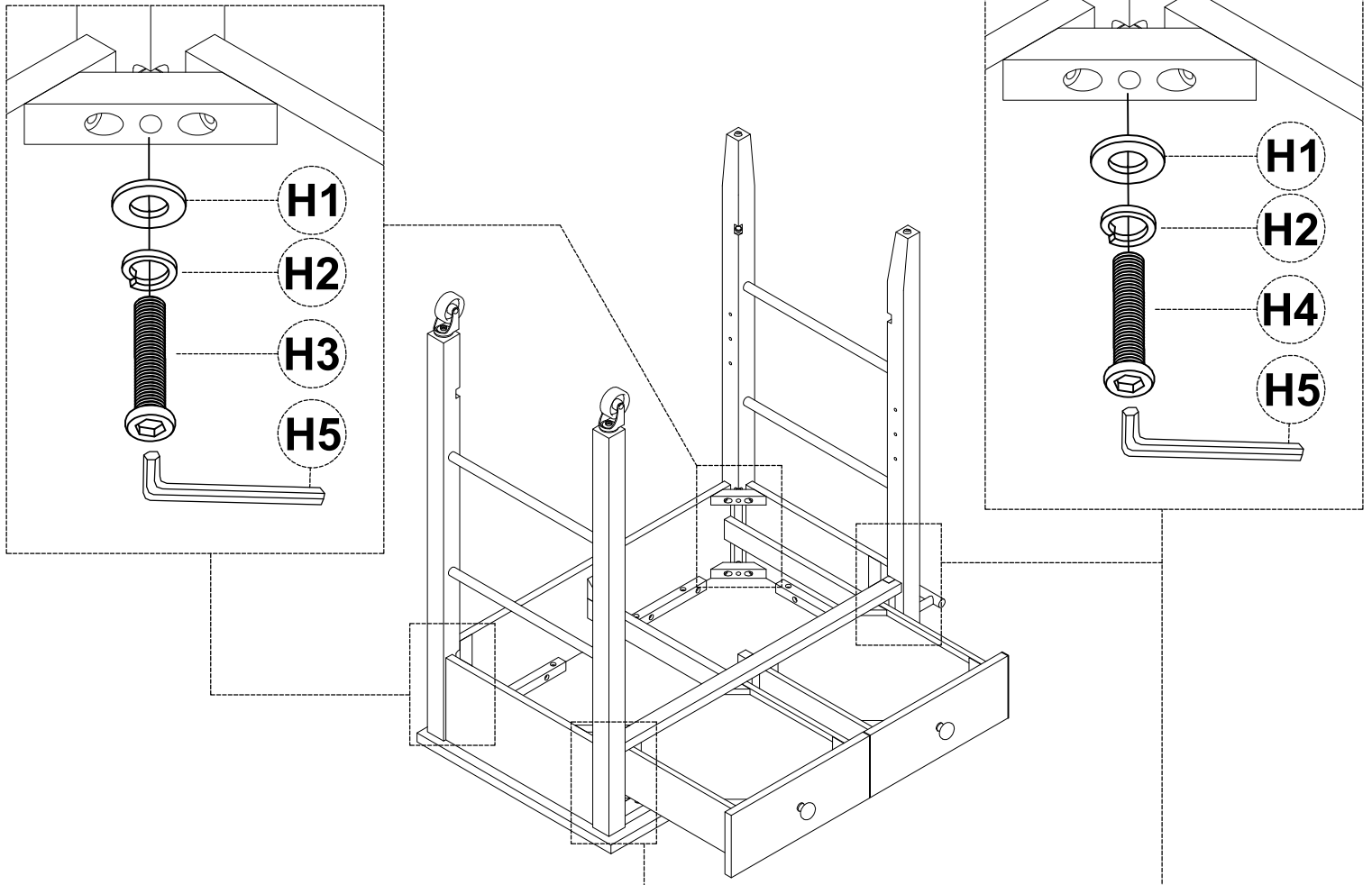
Assembly instruction

Mobile Kitchen Island Cart

Step 1



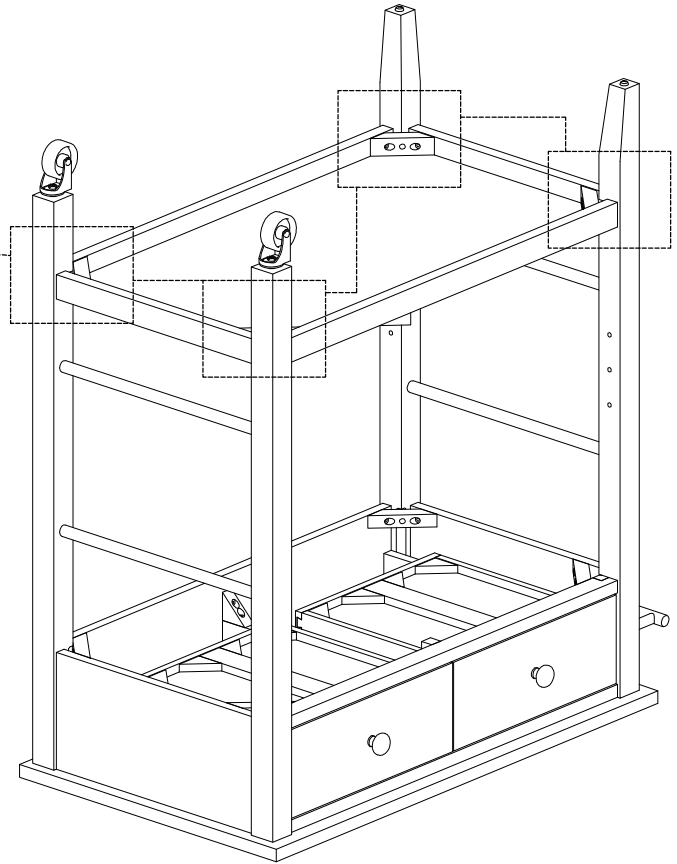
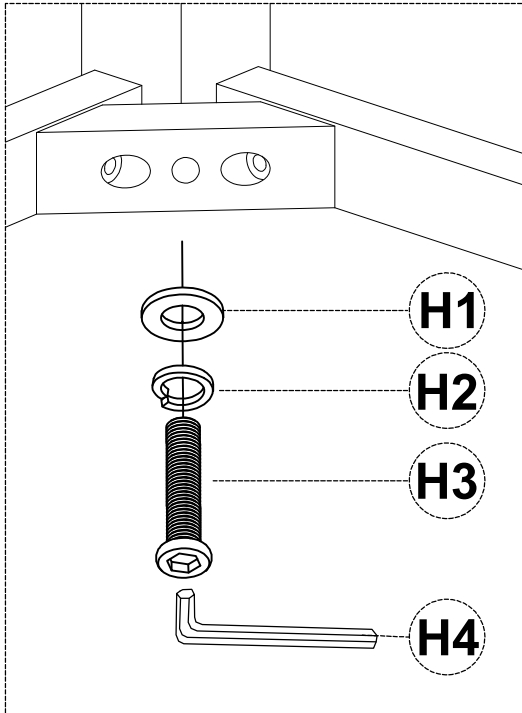
Step 2



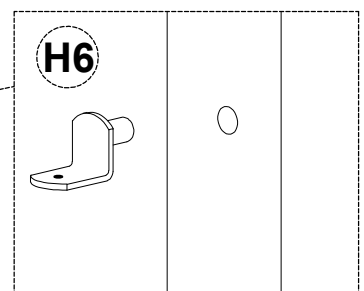
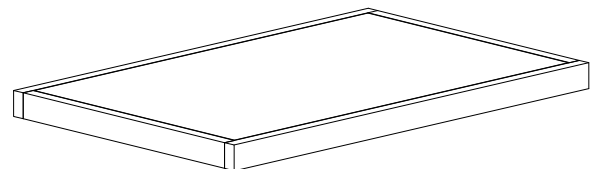
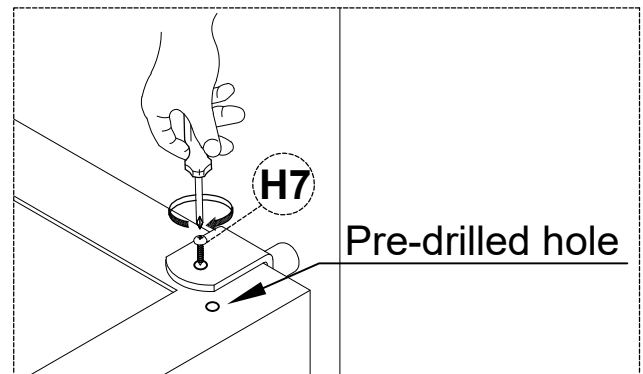
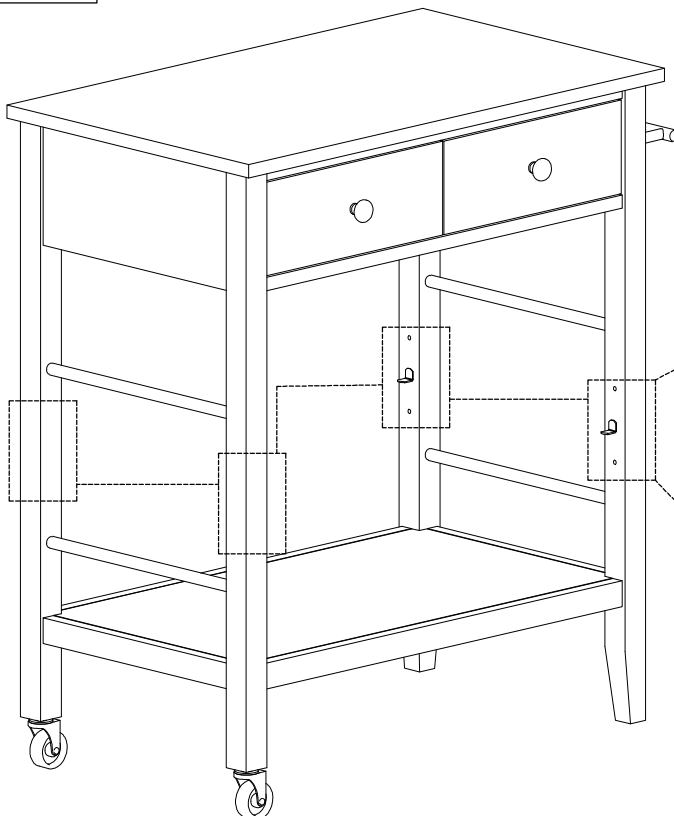
Assembly instruction

Mobile Kitchen Island Cart

Step 3



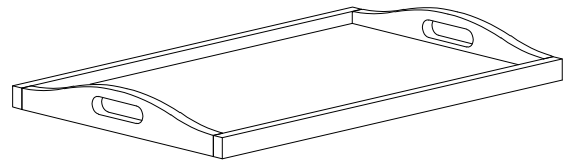
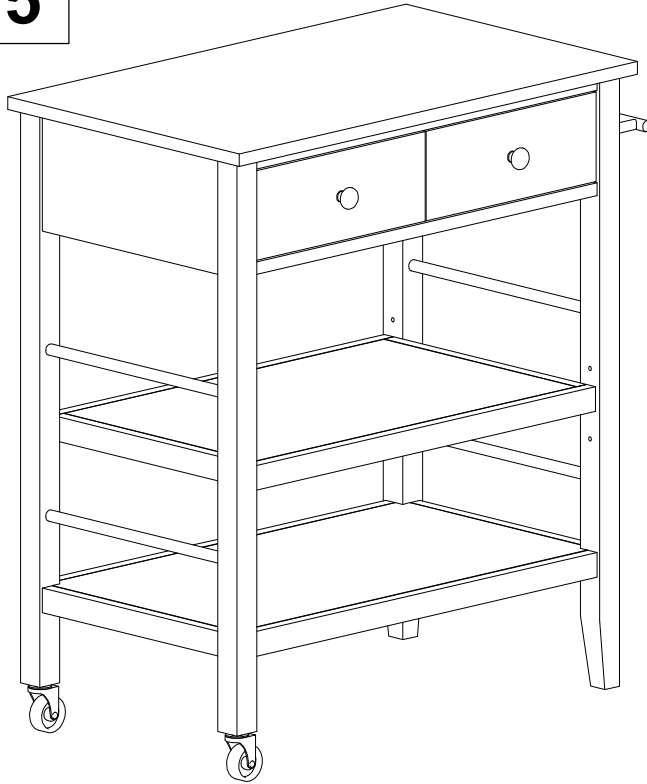
Step 4



Assembly instruction

Mobile Kitchen Island Cart

Step 5



Ready to use