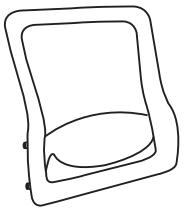

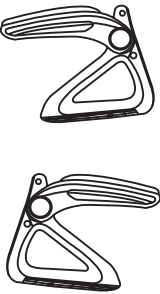
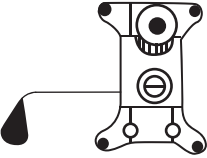
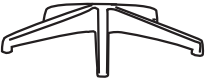
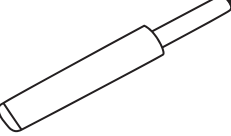
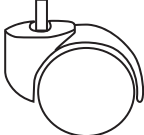




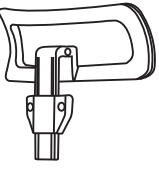


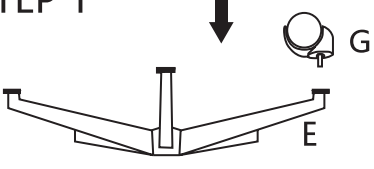


Assembly Instruction

PARTS

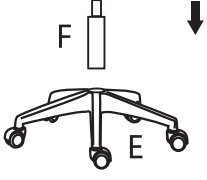
A×1 	B×1 
C×1 	D×1 
E×1 	F×1 
G×5 	H×1 a  × 2 M6x20mm b  × 8 M6x22mm c  × 4 M6x35mm
I×1 	Lx1 
K×8 	Mx2 

STEP 1



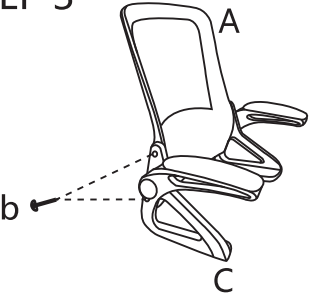
Push the wheels to the base.

STEP 2



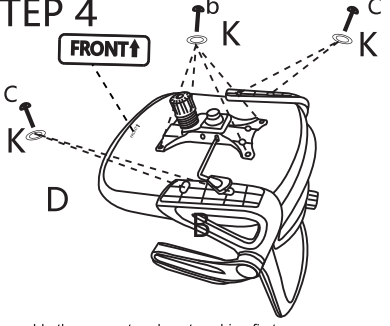
Put the gas lift on the base.

STEP 3



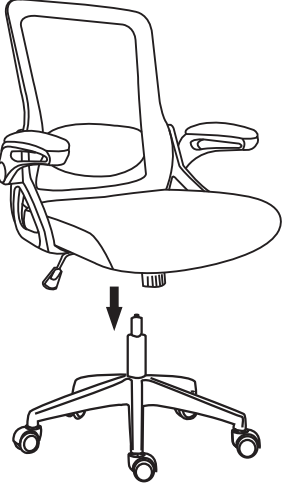
Assemble the armrest and back firstly.
Tighten the screws to 80%

STEP 4



Assemble the armrest and seat cushion first.
Tighten the screws to 100%
After that attach the mechanism on the seat cushion.
Please notice the direction!

STEP 5



Assemble the chair with two whole parts

STEP 6

