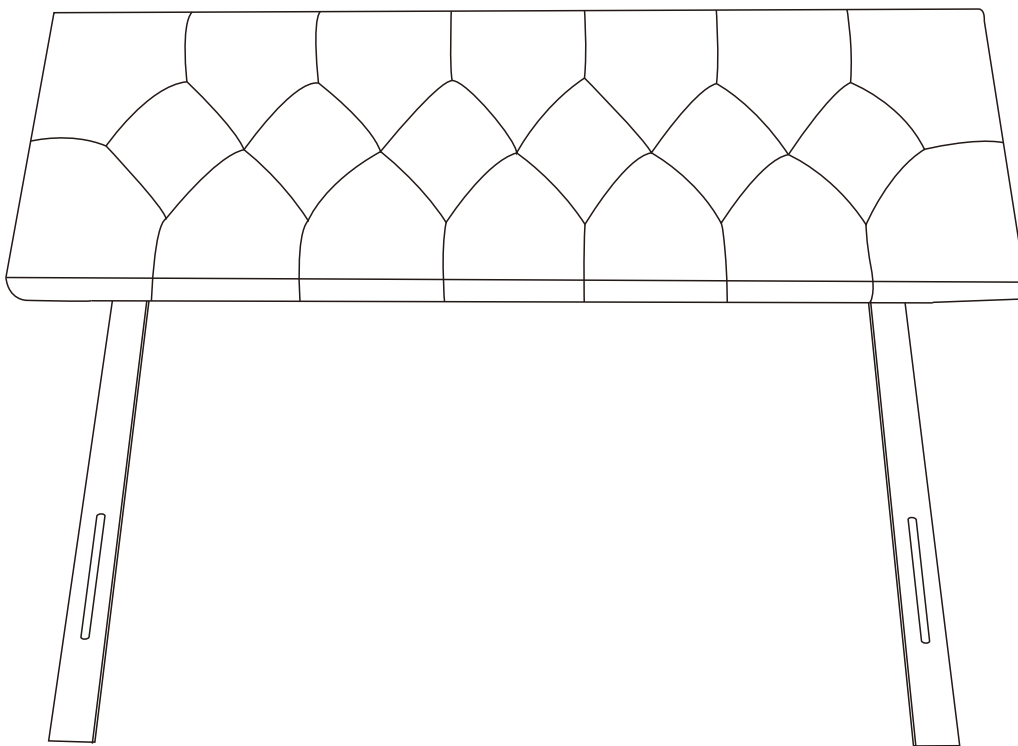


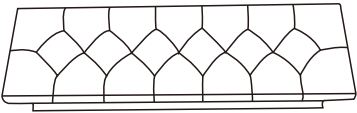
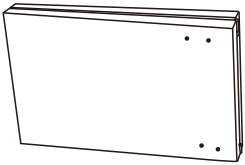
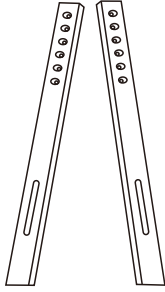
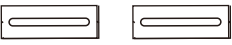
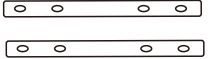
Assembly Manual

Headboard








Please read this manual carefully before any operation and keep it properly for future use.
If any problems on our product, please feel free to Contact us

Components List

<p>A Soft bag</p>  <p>x1</p>	<p>B Headboard frame</p>  <p>x1</p>	<p>D Foot</p>  <p>x2</p>
<p>E Adapter</p>  <p>x2</p>	<p>F Fixed piece</p>  <p>x2</p>	

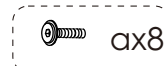
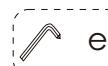
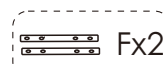
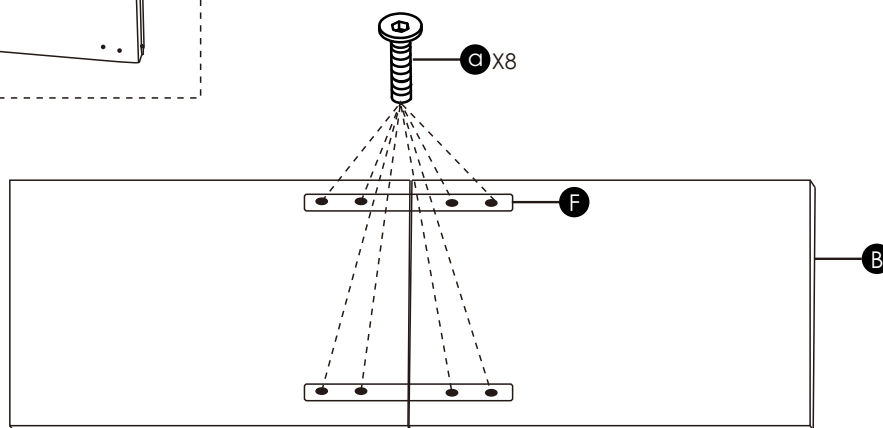
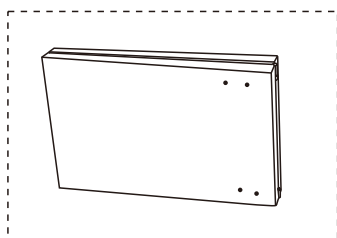
Components List

<p>M6X16</p>  <p>x8</p>	<p>M8X25</p>  <p>x4</p>	<p>M8X30</p>  <p>x2</p>		 <p>x2</p>	
<p>a</p>	<p>b</p>	<p>c</p>	<p>e</p>	<p>d</p>	

Assembly Instruction

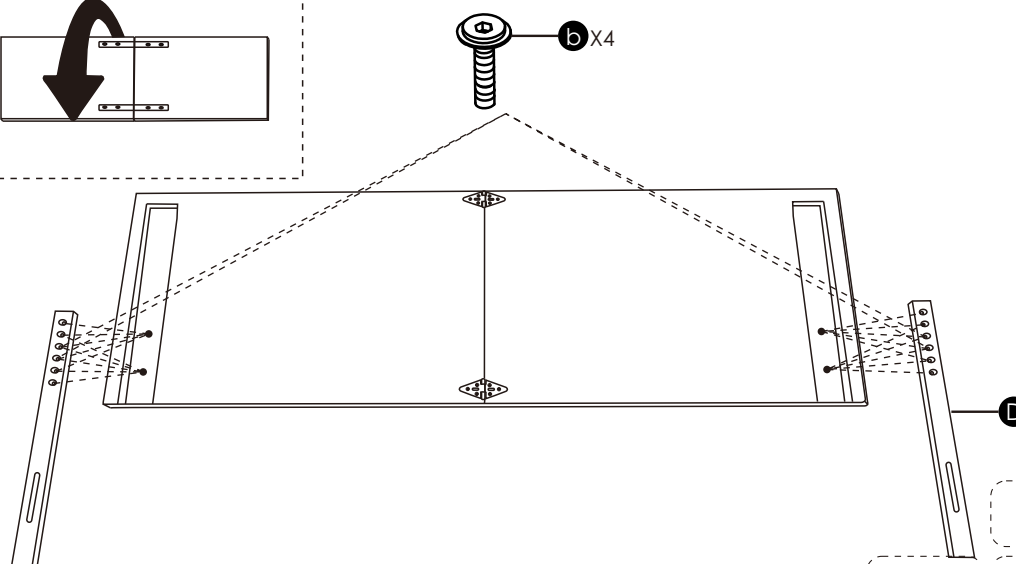
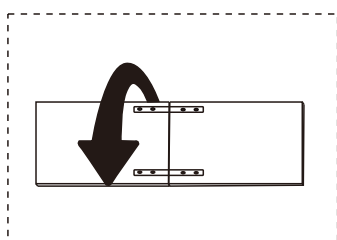
1

Unfold the headboard frame(B), and Attach Fixed pieces(F) to the headboard frame(B) using bolts(a) and Allen wrench(e).



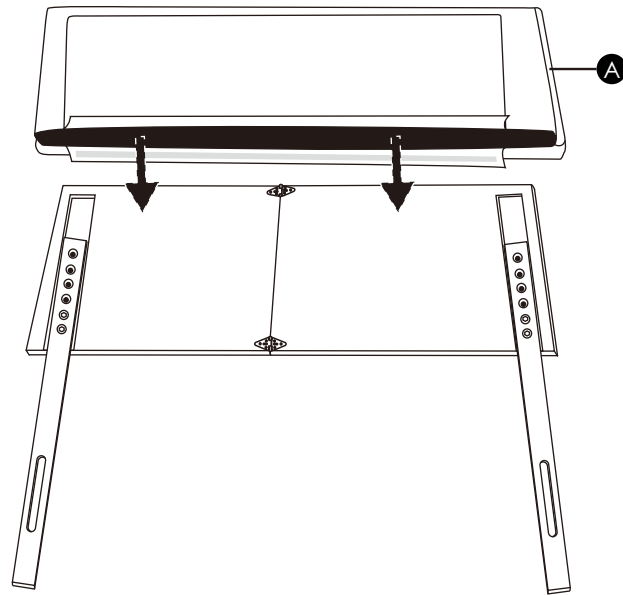
2

Flip the frame, attach feet(D) to the headboard frame(B) using bolts(b) and Allen wrench(e) according to your height of bed frame.



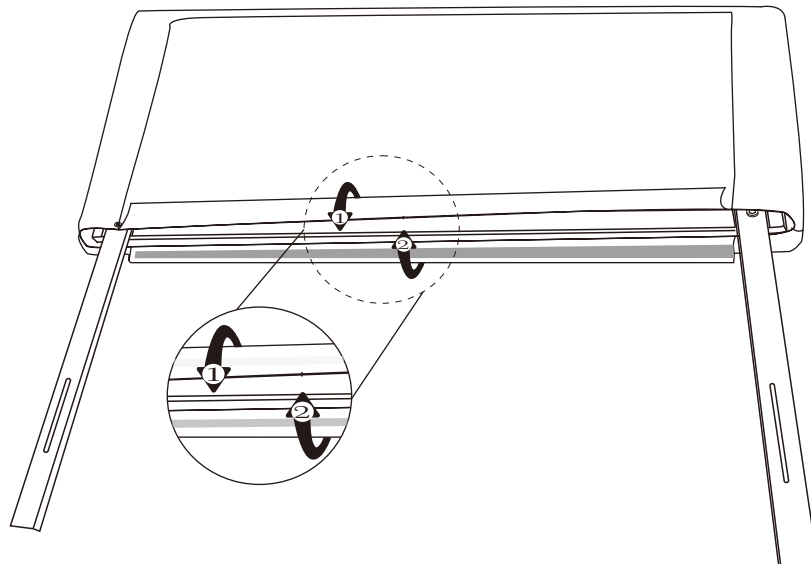
3

Slide the soft bag(A) into the headboard frame from top to bottom.



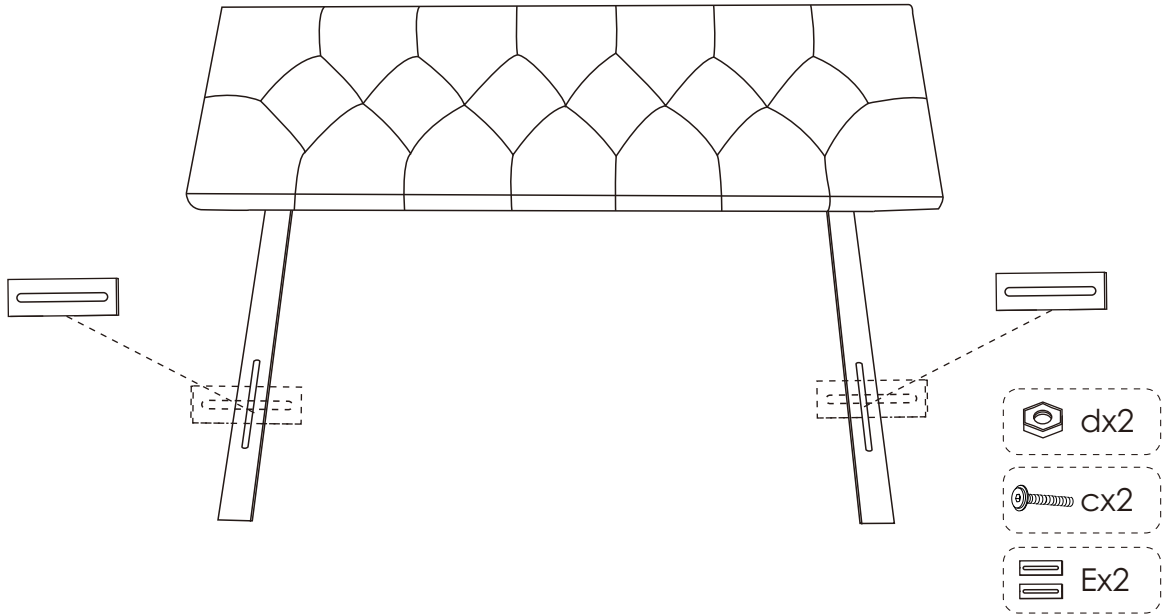
4

Stick the Velcro under the soft bag together.



5

If your bed frame doesn't match the hole, please attach adapters(E) to the feet using bolts(C) and washers(D).



6

The assembly is done.

