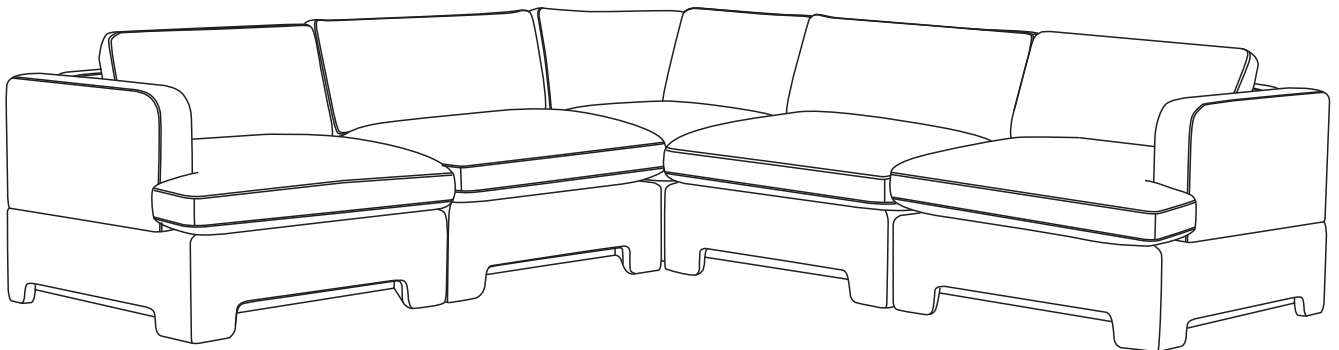


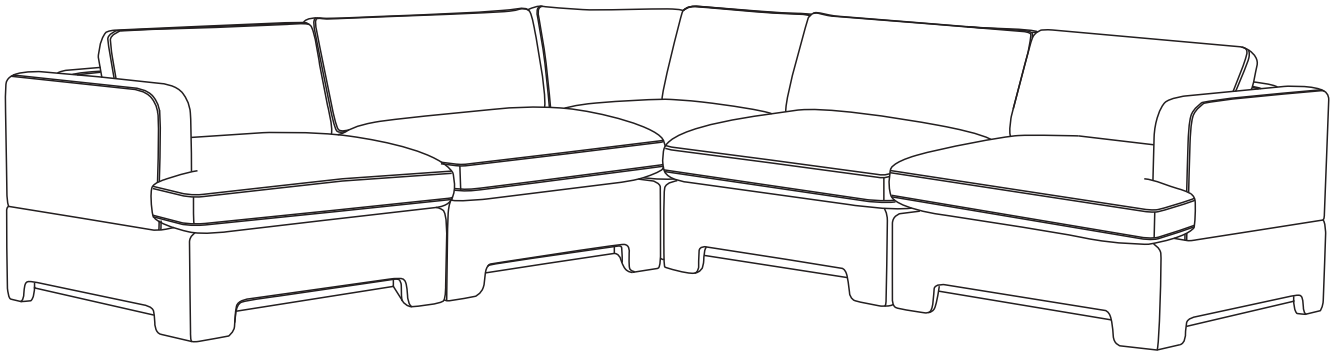
5 Pcs Sectional Assembly Manual



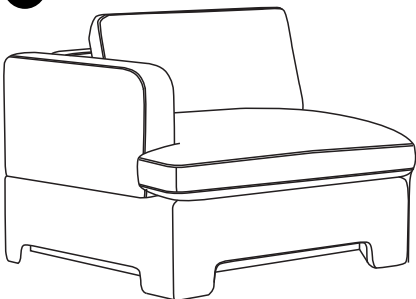
 CAUTION

THIS ASSEMBLY MANUAL CONTAINS IMPORTANT SAFETY INFORMATION.
PLEASE READ AND KEEP FOR FUTURE REFERENCE.

COMPONENTS

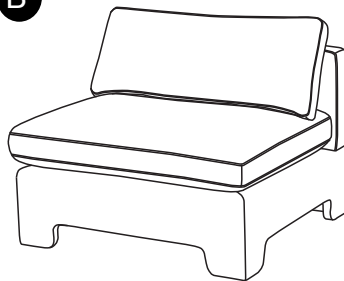


A



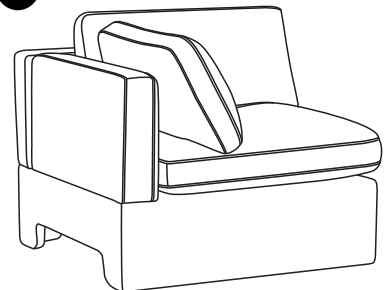
Left-arm sofa

B



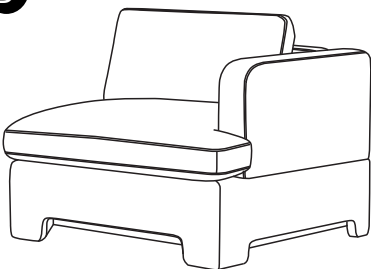
Armless sofa x2

C



Corner sofa

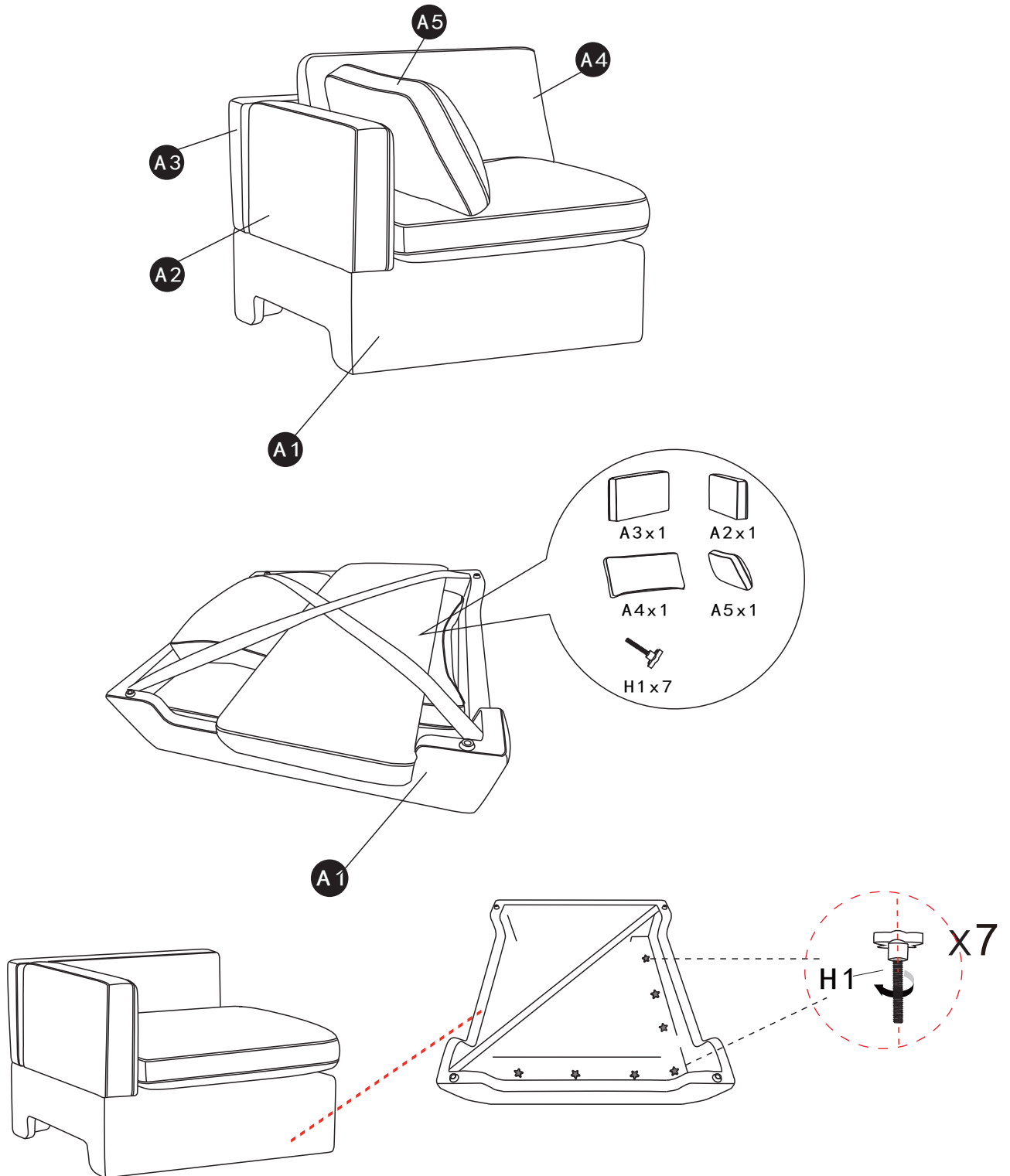
D



Right-arm sofa

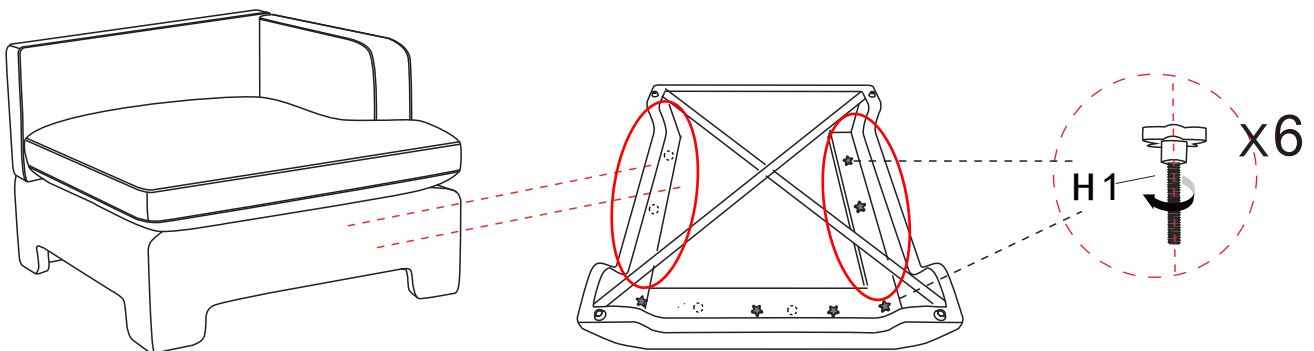
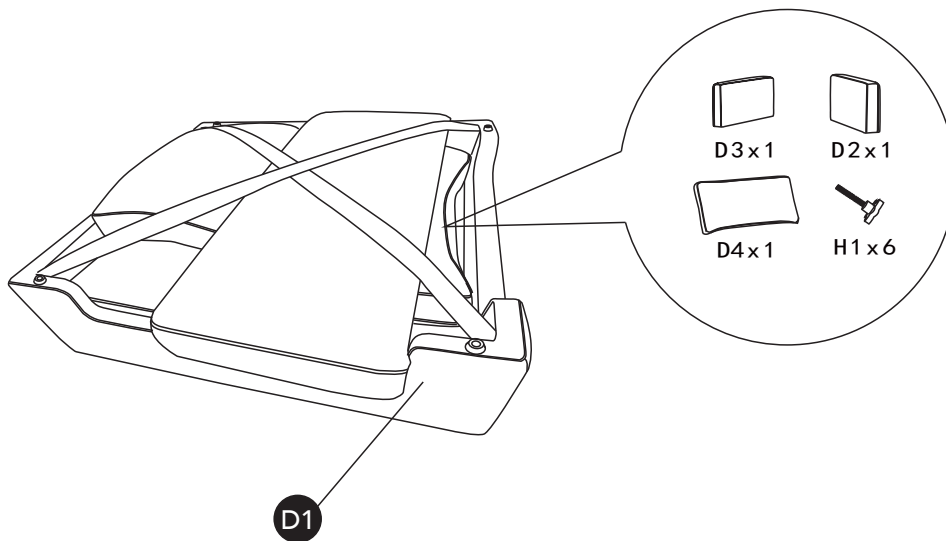
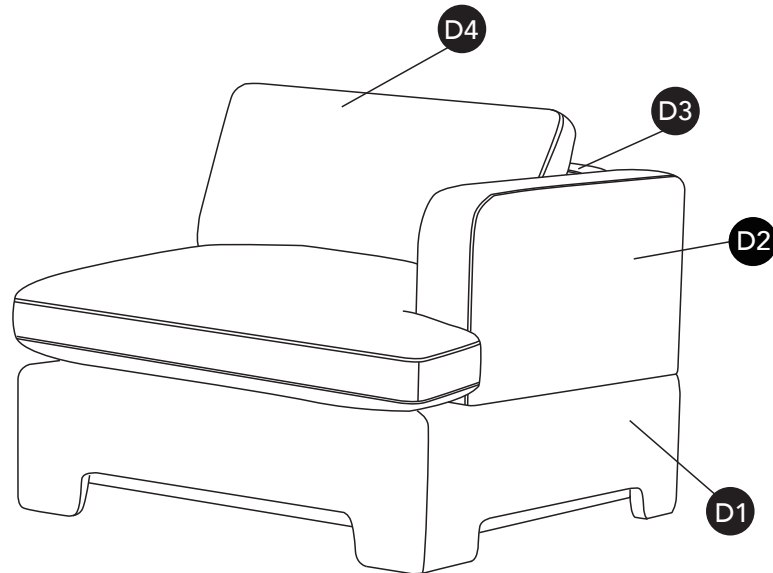
Assembly: Corner sofa

Step 1



Assembly: Right-arm sofa

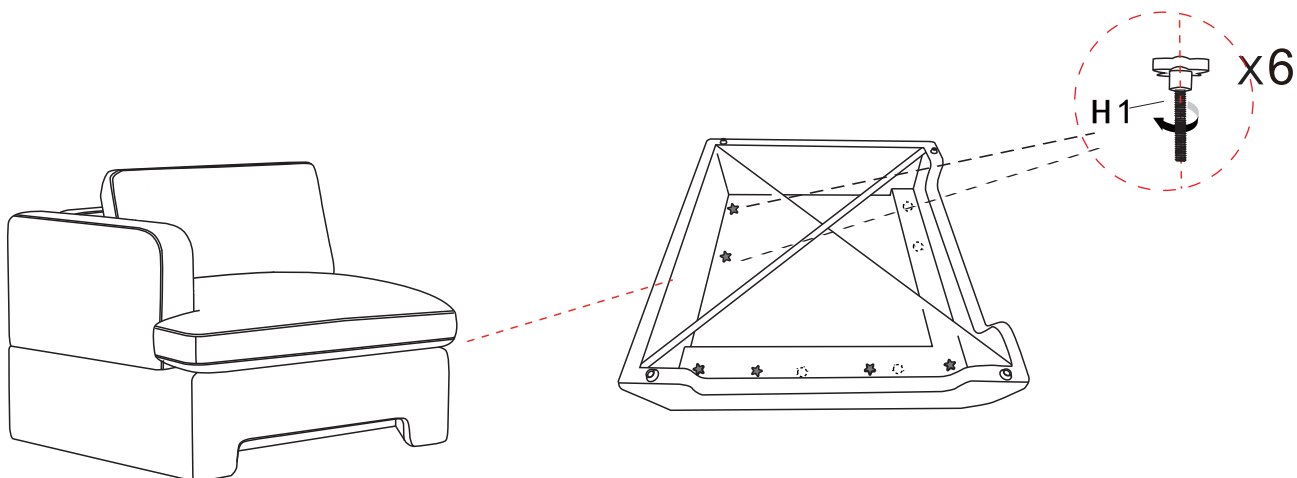
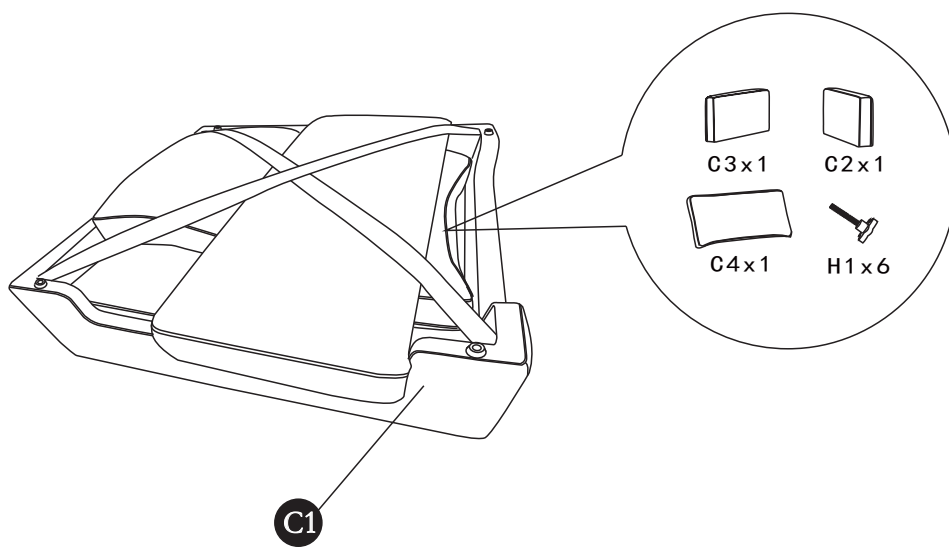
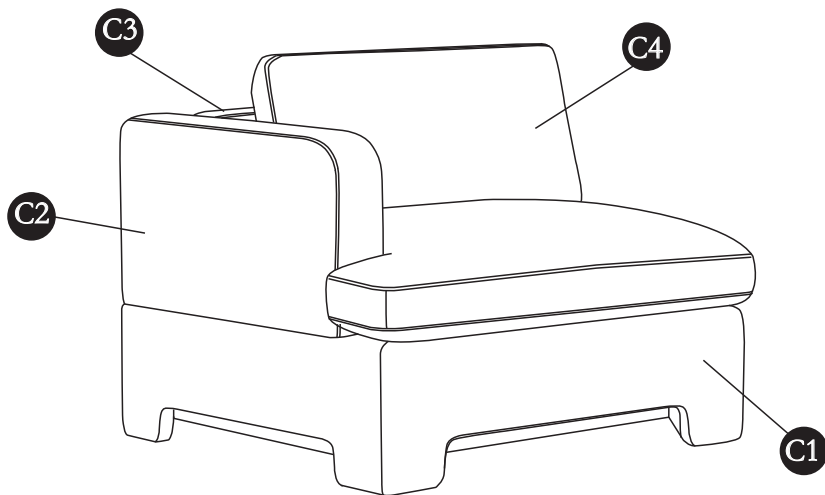
Step 1



Note: The bases for the left-arm and right-arm sofas are interchangeable. Therefore, all the circled areas in the illustration have pre-made holes. If you find that the hole positions do not match, simply cut open the corresponding holes on the other side with scissors to complete the assembly.

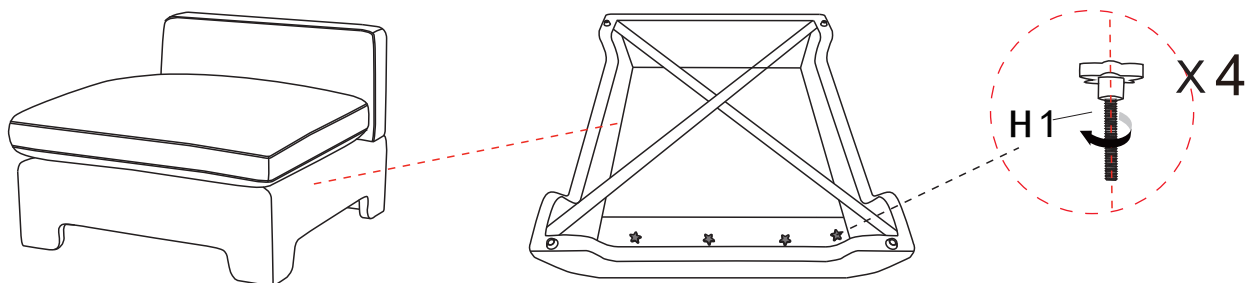
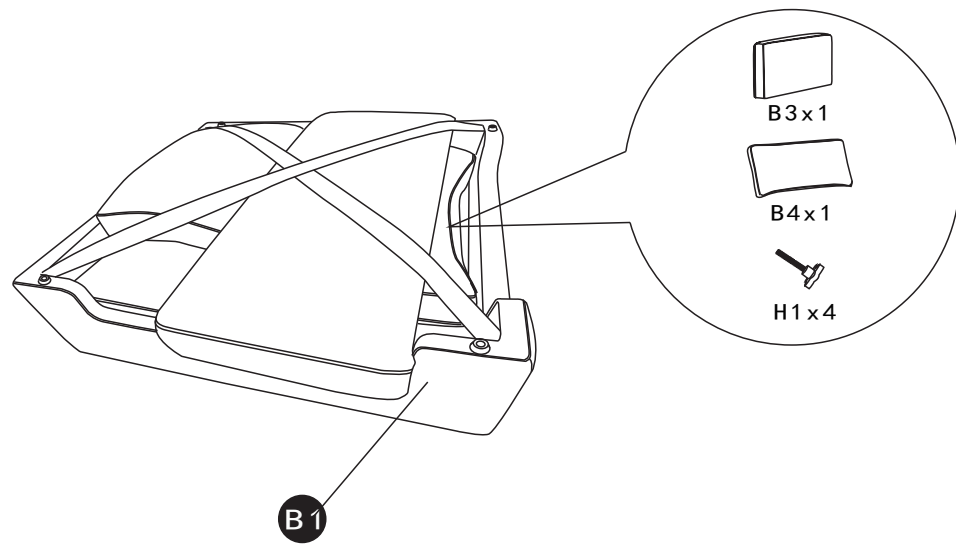
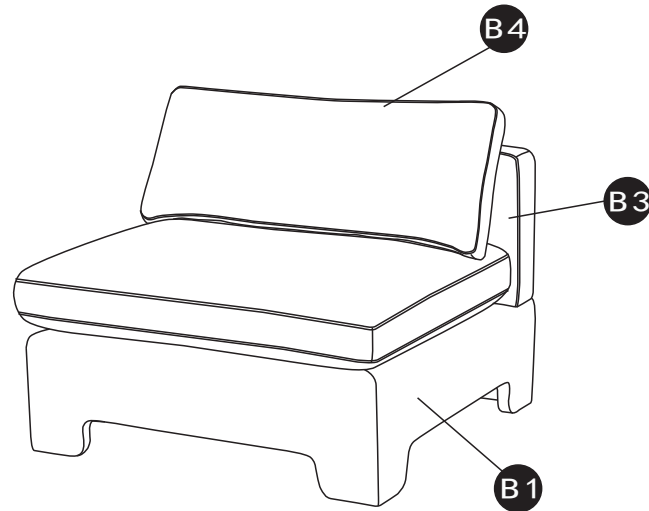
Assembly: Left-arm sofa

Step 1



Assembly: Armless sofa

Step 1



Group each sofa together.

Assembly completed.

