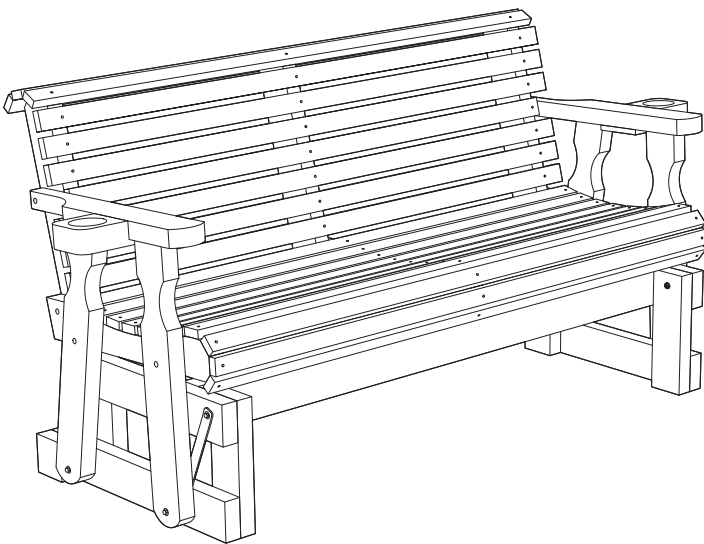
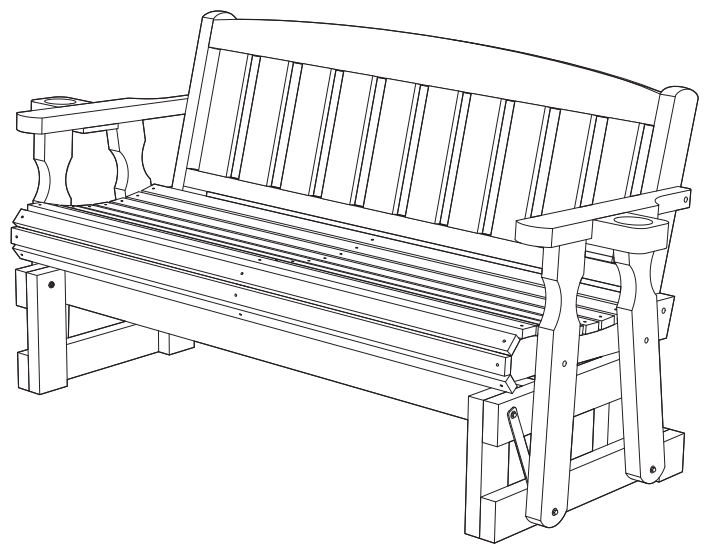


# Centerville Amish Porch Glider

**Roll Back Porch Glider**



**Mission Porch Glider**



**For assistance with assembly, please contact customer service  
(510) 983-4310**

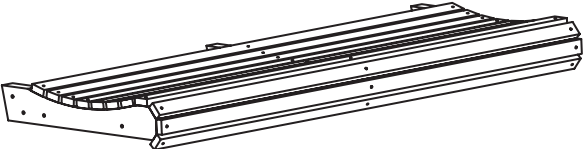
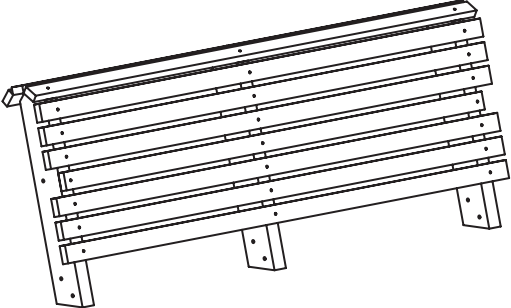
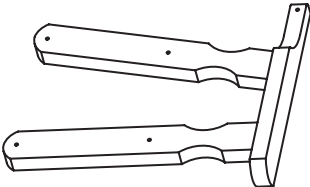
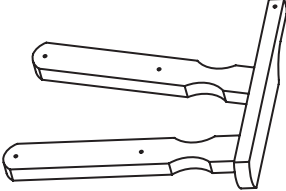
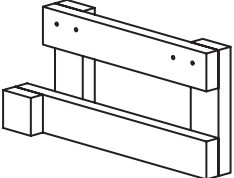
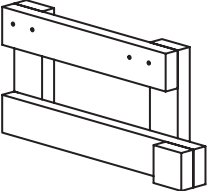
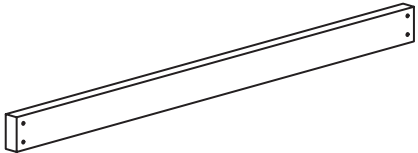

## PRE-ASSEMBLY PREPARATION:



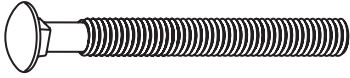
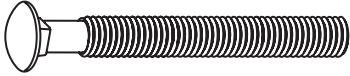


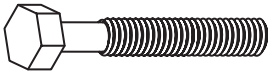
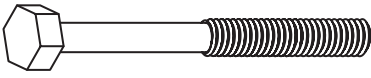


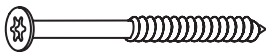

**DO NOT LET CHILDREN PLAY IN OR AROUND THE UNIT DUE TO THE POSSIBLE RISK OF FINGER ENTRAPMENT**

- Please read through these instructions before beginning assembly.
- Two adults are recommended for assembly.
- Clear out an open space for assembly and lay all items on the Parts and Hardware List on a padded surface to protect the finish. Extra room will allow you to easily determine if all the pieces are present.
- Save all packing materials until assembly is complete to avoid accidentally discarding smaller parts or hardware.
- Keep small parts and pieces away from children until fully assembled.
- Please check for any loose screws and tighten them before you use.



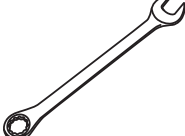

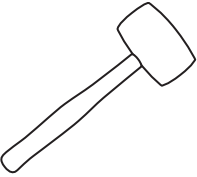

**PARTS LIST:**

ID	PHOTO	DESCRIPTION	QTY
A		Glider Seat	1
B		Glider Back *Please note the Roll Back and Mission glider follow the same assembly instructions.	1
C		Right Arm	1
D		Left Arm	1
E		Right Glider Stand Leg	1
F		Left Glider Stand Leg	1
G		Glider Stand Crosspieces	2
H		Cupholders (Optional)	2

## HARDWARE LIST:

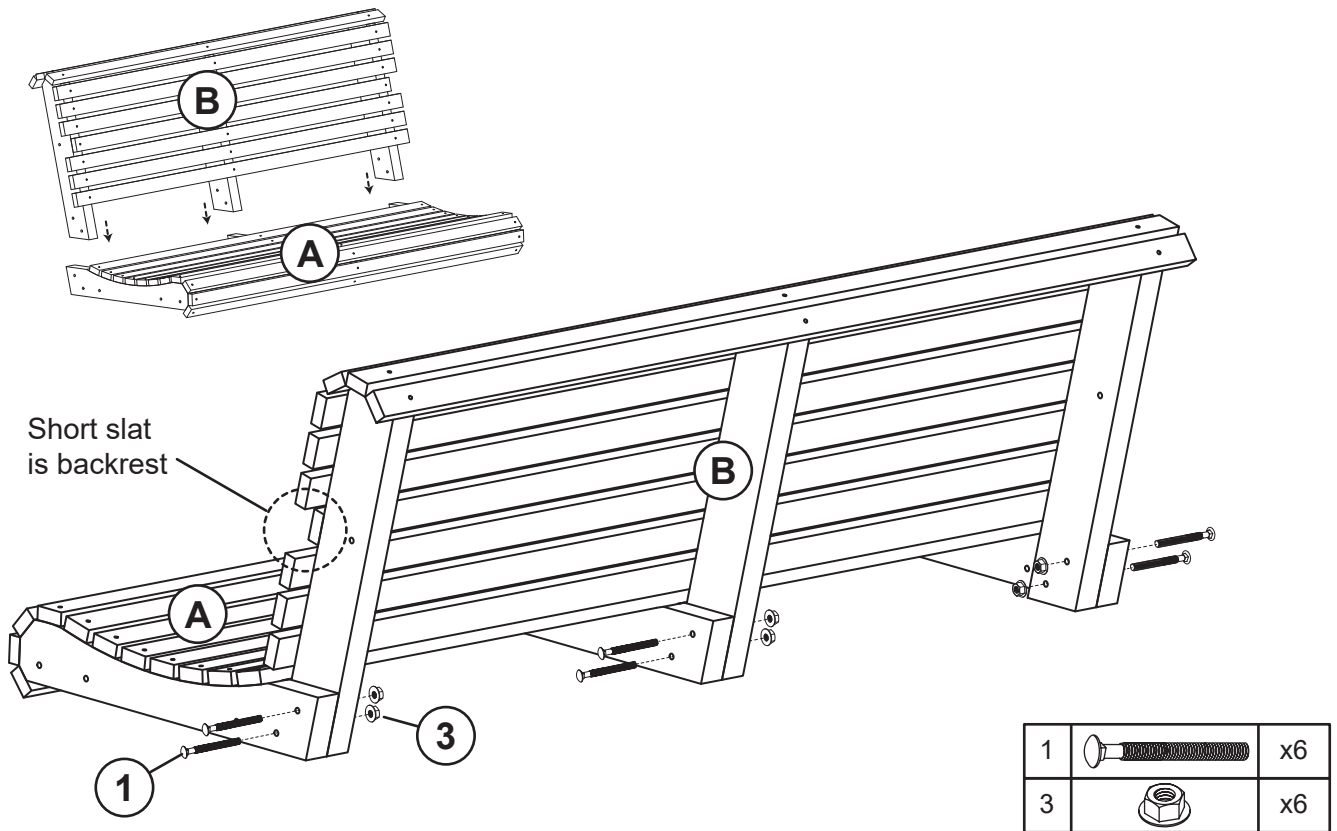
ID	PHOTO	DESCRIPTION	QTY
1		1/4" x 3 1/4" Bolts	10
2		5/16" x 3 1/4" Bolts	2
3		1/4" Flange Nuts	10
4		5/16" Flange Nuts	2
5		3/8" x 2 1/2" Hex Bolts	4
6		3/8" x 4" Hex Bolts	4
7		3/8" Loc Nuts	8
8		3/8" Flat Washers	16
9		2 1/2" Screws	12
10		Glider Arms	4

## TOOLS LIST:

					
7/16" Wrench	1/2" Wrench	9/16" Wrench Qty. 2	Screwgun	Rubber Mallet	T25 Star Drive Bit (Included)

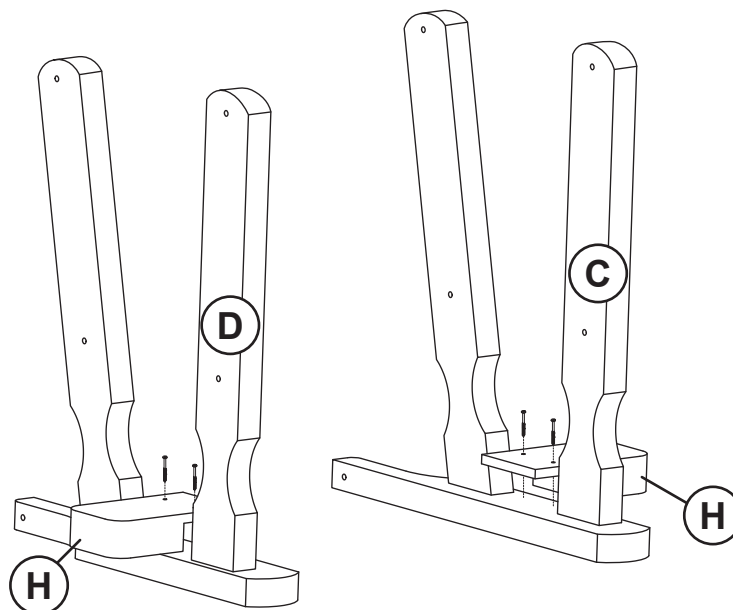
## STEP-BY-STEP ASSEMBLY:

- 1** Lay Glider Seat (A) on a flat surface. Take the Glider Back (B) and put it between Glider Seat (A). Line up the holes and put two 1/4" x 3 1/4" Bolts (1) on each side and in the center piece of seat and back support. Hand tighten a Flange Nuts (3) on each end of 1/4" x 3 1/4" Bolts (1).



- 2** If you have ordered cupholders with your glider you can attach them to the bottom of arms now or wait until you have arms attached. Fasten with 1 1/2" screws. Screws are located inside the cupholders.

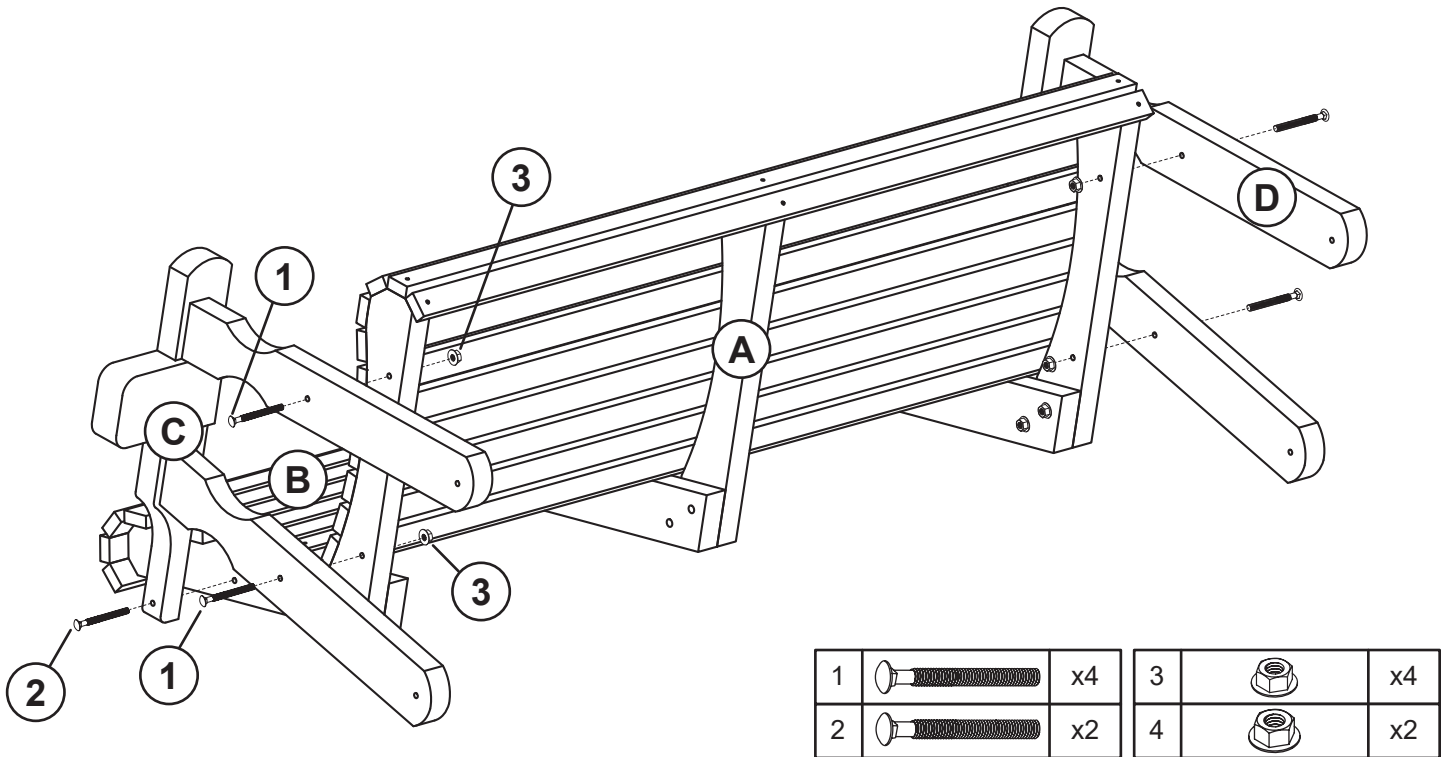
**Note: Cupholders are optional, if you did not order them with your porch glider they will not be inside the box.**



## STEP-BY-STEP ASSEMBLY:

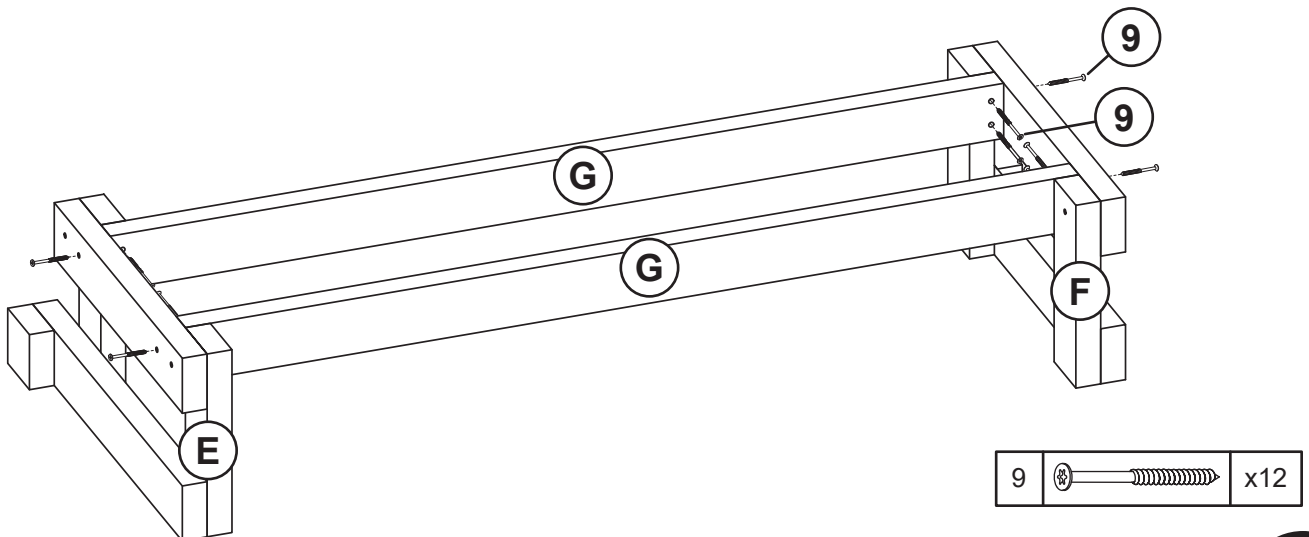
3

Get the Right Arm (C) two 1/4" x 3 1/4" Bolts (1) and put them in Legs of Arm (C), lining them up with holes in Glider Seat (A). You may have to align Arm for holes to line up. Now get one 5/16" x 3 1/4" Bolts (2) and put it through hole in Right Arm (C) and into hole on Glider Back (B). You may have to align Glider Back (B) or Arm for holes to line up. Get Left Arm (D) and fasten it in same manner. Tighten all Flange Nuts (3&4) with 7/16" or 1/2" Socket or Wrench. Make sure bolt head is flush with the wood.



4

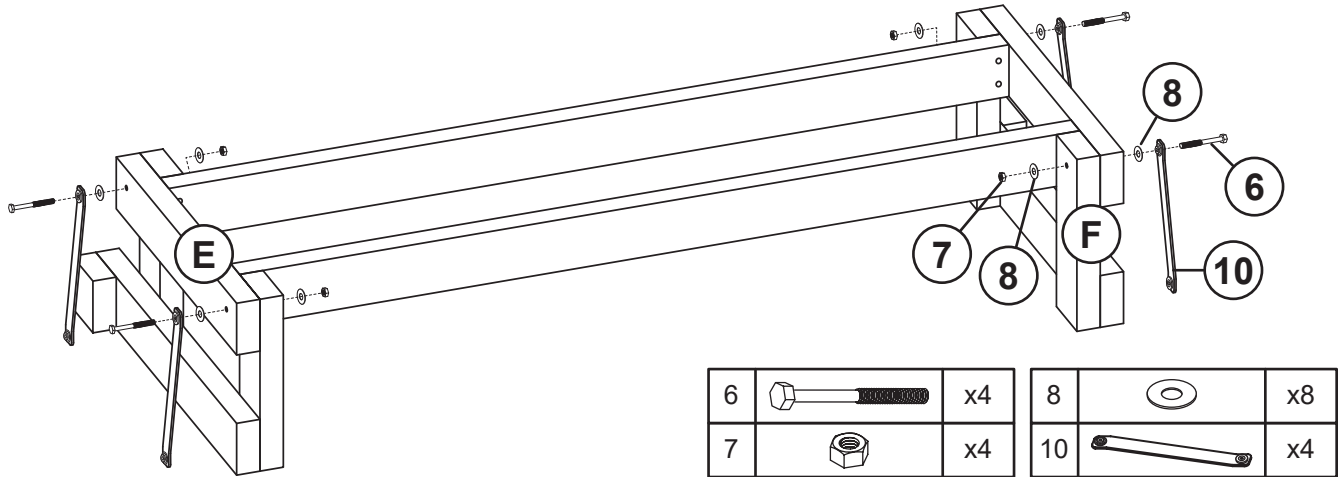
Now get the one Glider Stand Crosspiece (G) and fasten it on the inside of Glider Stand Leg (E&F). Fasten with 2 1/2" Screws (9) into pre-drilled holes. Keep the top of Crosspiece (G) even with top of Legs (E&F). Fasten other side in same manner. Now get other Glider Stand Crosspiece (G) and put it on in same manner. Then take four 2 1/2" Screws (9) and screw Crosspiece (G) from the outside in through the Leg (E&F). Hole is pre-drilled.



**STEP-BY-STEP ASSEMBLY:**

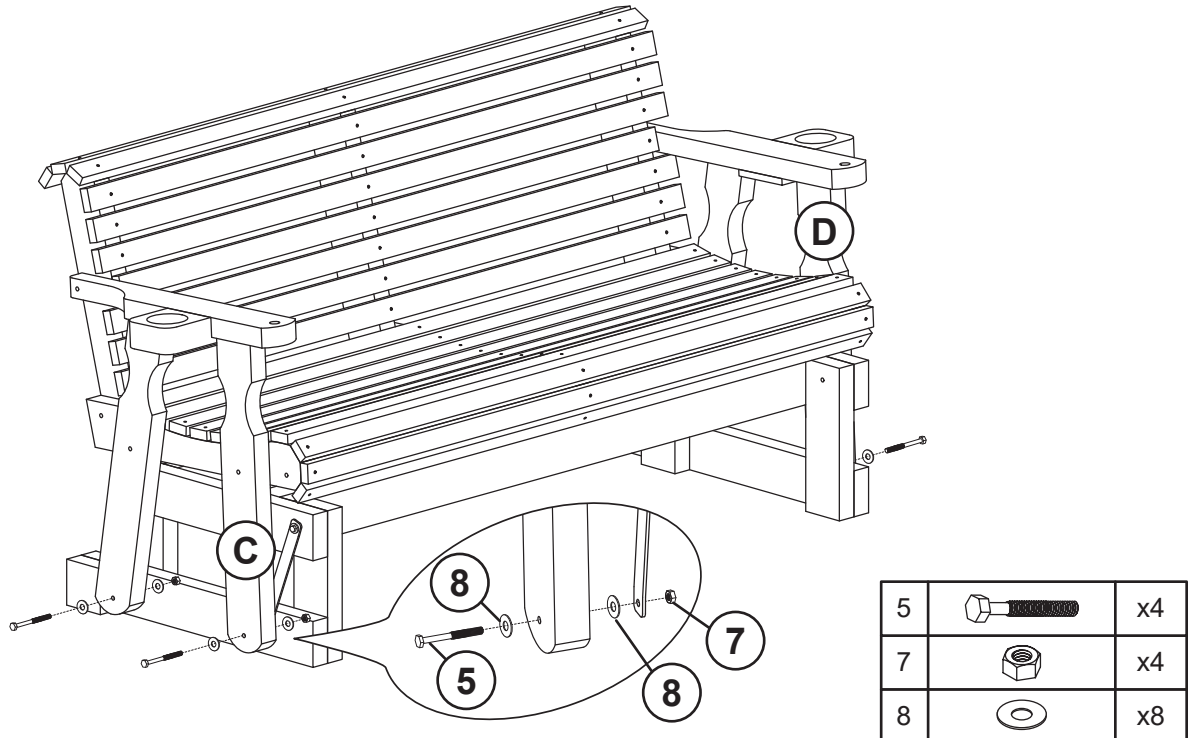
**5**

Fasten Glider Arms (10) to Glider Stands (E&F). Get a 3/8" x 4" Hex Bolts (6) and take it through the bearing of the Glider Arm (10). Get a 3/8" Flat Washers (8) and slip on 3/8" x 4" Bolts (6). You are now ready to attach Glider Arm (10) to Glider Stand Leg (E, F) by pushing 3/8" x 4" Bolts (6) through the 3/8" hole on Glider Stand Leg (E&F). Make sure Glider Arms (10) is curved away from Glider Leg (E&F). Slip another 3/8" Flat Washers (8) over bolt and fasten with a 3/8" Loc Nuts (7). Tighten nut until everything is pulled together. Fasten other three Glider Arms (10) in same manner.

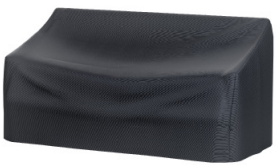


**6**

Get the Glider Bench and set it on top of Glider Stand. Legs belong on outside. Get four 3/8" Flat Washers (8) and slip them on the 3/8" x 2 1/2" Bolts (5). Then push Bolts (5) into pre-drilled holes on the bottom of Arm Legs (C&D). Put a 3/8" Flat Washers (8) on the inside of Arm Legs (C&D). Then slip the Glider Bearing over the Bolts (5). Fasten with a 3/8" Loc Nuts (7) and tighten with a 9/16" Socket or Wrench. Hold the outside of the Bolts (5) with a 9/16" Socket or Wrench. Tighten until Glider Bearing and Loc Nuts (7) are against 3/8" Flat Washers (8). **Sit back and enjoy!**



**Missing or damaged parts? For customer service call Centerville Woodworks message center (510) 983-4310. Our promise - your call will be returned.**

	<h2 style="text-align: center;">Easy Covers</h2> <p style="text-align: center;">Protect your new Centerville Amish with our line of custom fit outdoor furniture covers by EasyCovers. Available on Amazon.com and ThePorchSwingCompany.com.</p>
---	--

	<h2 style="text-align: center;">Limited Manufacturer Warranty</h2> <p>Centerville Amish warrants all pressure treated wood products for a period of 90 days from date of purchase against structural failure, woodrot and insect infestation.</p> <p>The original consumer is entitled to receive new wood replacement parts within the warranty period.</p> <p>View our complete warranty details at:  <a href="https://www.centervilleamish.com/warranty">https://www.centervilleamish.com/warranty</a></p>
---	---

<p style="text-align: center;"><b>View our complete recommendations to care for your outdoor furniture as well as details about our Maintenance Kits by scanning the QR code below:</b></p> 	<h2 style="text-align: center;">Use &amp; Care</h2> <p>The entire Centerville Amish line is constructed of kiln-dried pressure-treated pine and is designed for outdoor use. Our Amish craftsmen work with commercial-grade exterior finishes by Sherwin Williams for optimum outdoor durability. These water-based finishes provide adequate protection for covered porches that get occasional weather exposure (rain, etc...). The less exposure your wood furniture has to direct sun, wind, rain, and snow, the longer it will last. If you plan to use your furniture outdoors in full weather exposure, we recommend adding a polyurethane, varnish, or lacquer coating. We recommend contacting your local paint shop for their specific recommendation. Their insight will be best-suited for your local climate and weather conditions.</p> <h3>Care &amp; Cleaning</h3> <p>Dirt build-up leads to deterioration, so keeping your outdoor wood furniture clean will give it a longer life. Clean it well two or three times per year with water, mild soap, and a soft cloth. (This is also the perfect time for a periodic hardware check.) Hose it down before you start to remove cobwebs and caked-on dirt. Do not use abrasive cleaners, bleach, or scouring products that will affect the finish. Dry the furniture thoroughly when done.</p> <p>Consider one of our Maintenance Kits to help keep your product looking fresh! Includes 1 quart of water-based semi-transparent or semi-solid wood stain, sponge sander, dust cloth, and a foam brush.</p>
---	--

**WARNING: California's Proposition 65**

This product can expose you to chemicals including wood dust, which is known to the State of California to cause cancer. For more information go to [www.P65WARNINGS.ca.gov/furniture](http://www.P65WARNINGS.ca.gov/furniture)