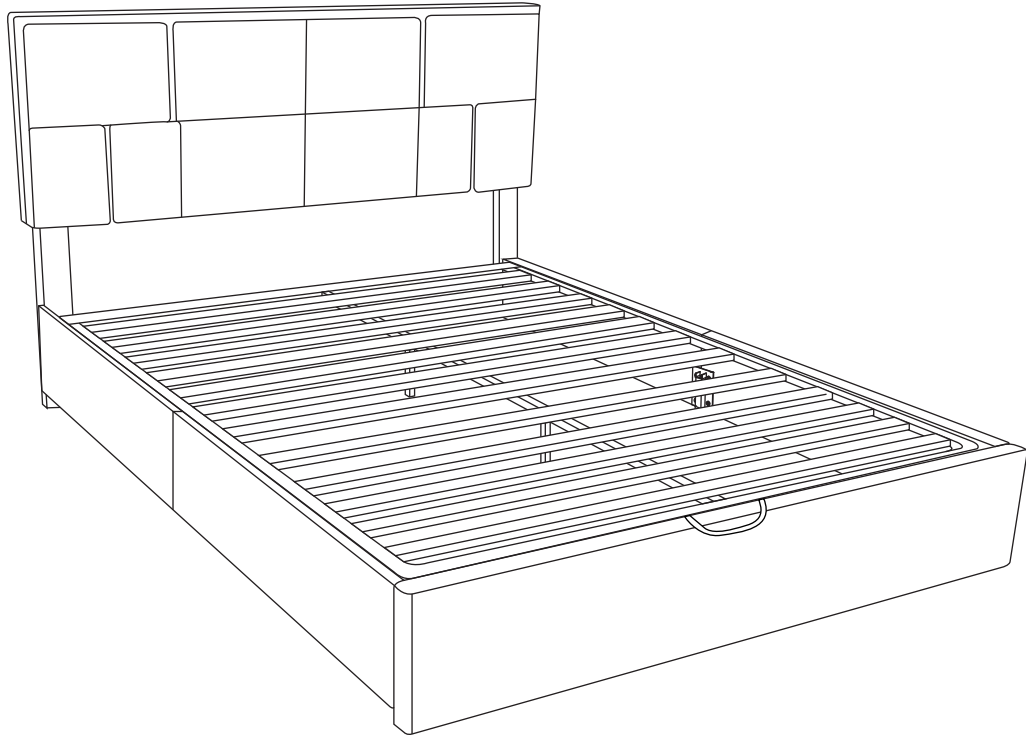


# ASSEMBLY INSTRUCTIONS



## IMPORTANT NOTE IMPORTANT NOTICE

\*\*PLACE ALL PARTS ON A CLEAN AND SMOOTH SURFACE SUCH AS A RUG OR CARPET TO AVOID THE PARTS FROM BEING SCRATCHED

\*\*BEFORE YOU BEGIN, KINDY FOLLOW THE ASSEMBLY INSTRUCTIONS STEP BY STEP

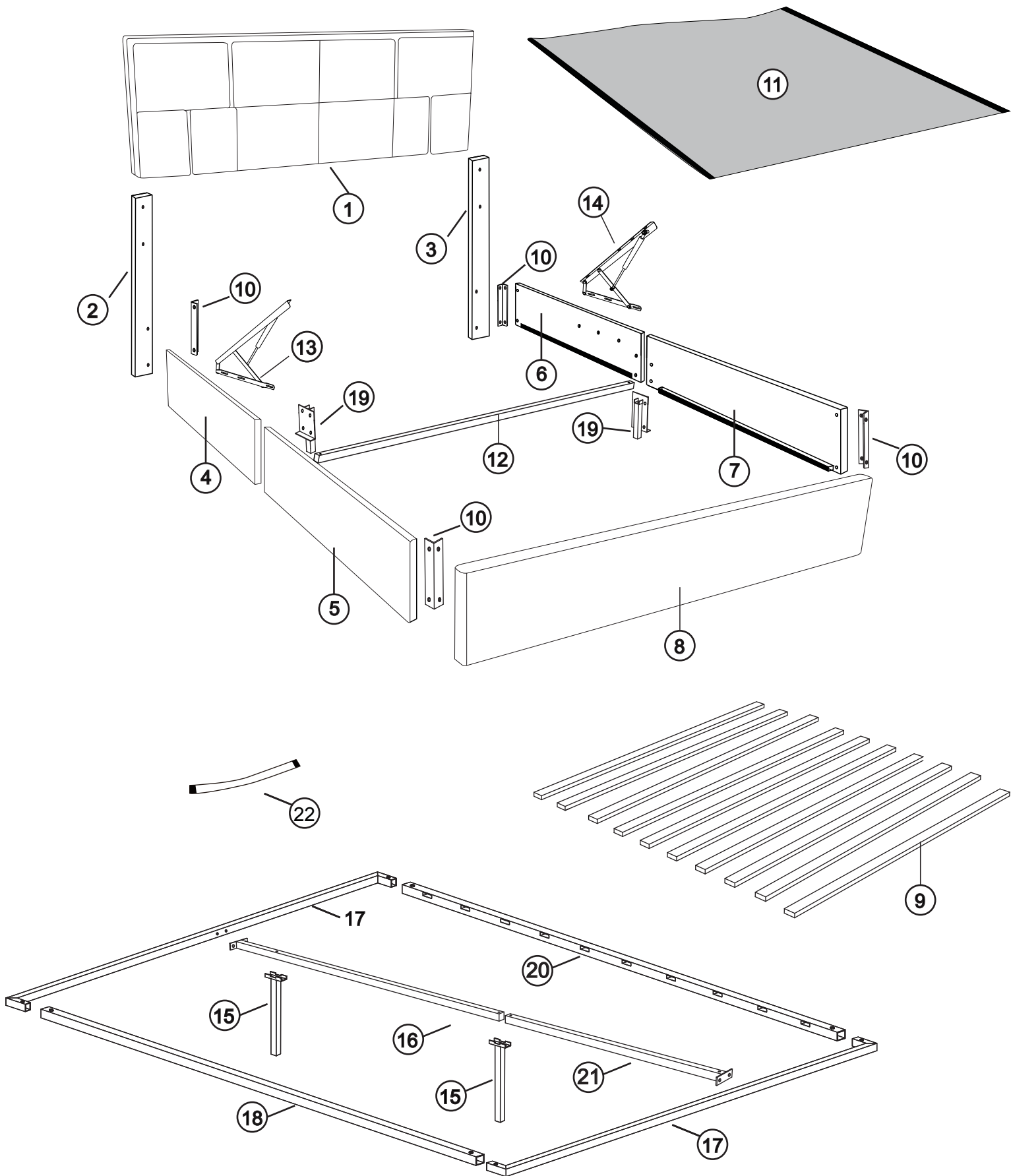
\*\*DO NOT TIGHTEN ALL SCREWS AND BOLTS UNTIL THE BED IS FULLY SET-UP

\*\*PLACER TOUTES LES PIÈCES SUR UNE SURFACE PROPRE ET LISSE, TELLE QU'UN TAPIS OU UNE MOQUETTE, AFIN D'ÉVITER QU'ELLES NE SOIENT RAYÉES

\*\*AVANT DE COMMENCER, VEUILLEZ SUIVRE LES INSTRUCTIONS D'ASSEMBLAGE ÉTAPE PAR ÉTAPE.

\*\*NE SERREZ PAS TOUTES LES VIS ET TOUS LES BOULONS TANT QUE LE LIT N'EST PAS COMPLÈTEMENT INSTALLÉ.




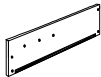

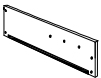


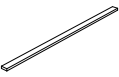


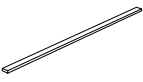










# ASSEMBLY INSTRUCTIONS






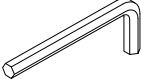
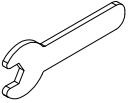
# ASSEMBLY INSTRUCTIONS

## PARTS IDENTIFICATION

N733P207778

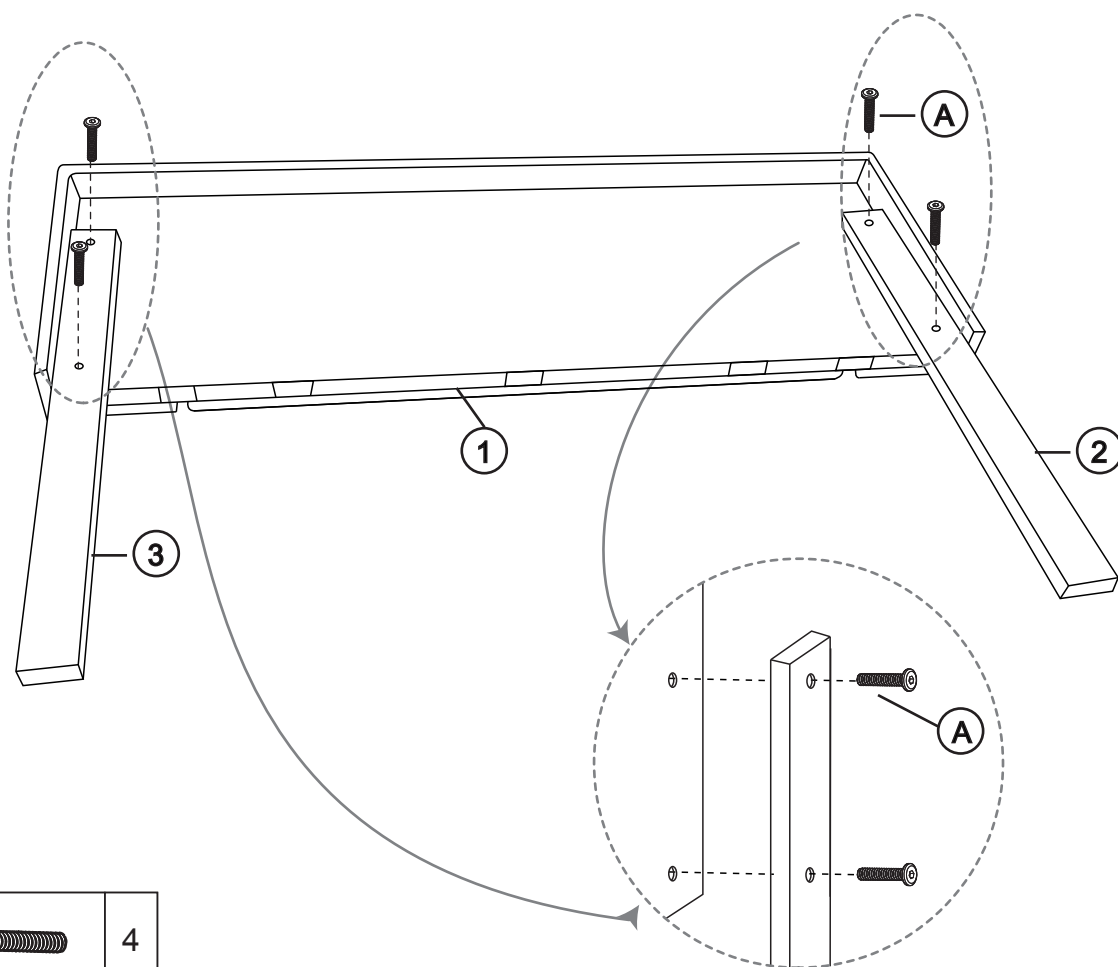
1	Headboard Tête de lit		1pc	2	Post Poste		1pc
3	Post Poste		1pc	4	Side Panel Panneau latéral		1pc
5	Side Panel Panneau latéral		1pc	6	Side Panel Panneau latéral		1pc
7	Side Panel Panneau latéral		1pc	8	Footboard Pied de lit		1pc
9	SLAT SLAT		10pcs	10	Bracket Support		4pcs
11	Base cloth Tissu de Base		1pc	12	Center rail Rail central		1pc
13	Tripod Trépied		1pc	14	Tripod Trépied		1pc
15	Support Leg Jambe de support		2pcs	16	Center rail Rail central		1pc
17	Center rail Rail central		2pcs	18	Centerrail Rail central		1pc
19	Support Leg Jambe de support		2pcs	20	Centerrail Rail central		1pc
21	Center rail Rail central		1pc	22	Pull the strap Tirez la sangle		1pc


## HARDWARES IN N733P207778

A	Bolt Boulon (Ø10mm)		19pcs	B	Bolt Boulon (Ø8X20mm)		34pcs
C	Bolt Boulon (M8)		4pcs	D	Allen Wrench Clé Allen (M8)		1pc
E	Allen Wrench Clé Allen		1pc				

# ASSEMBLY INSTRUCTIONS

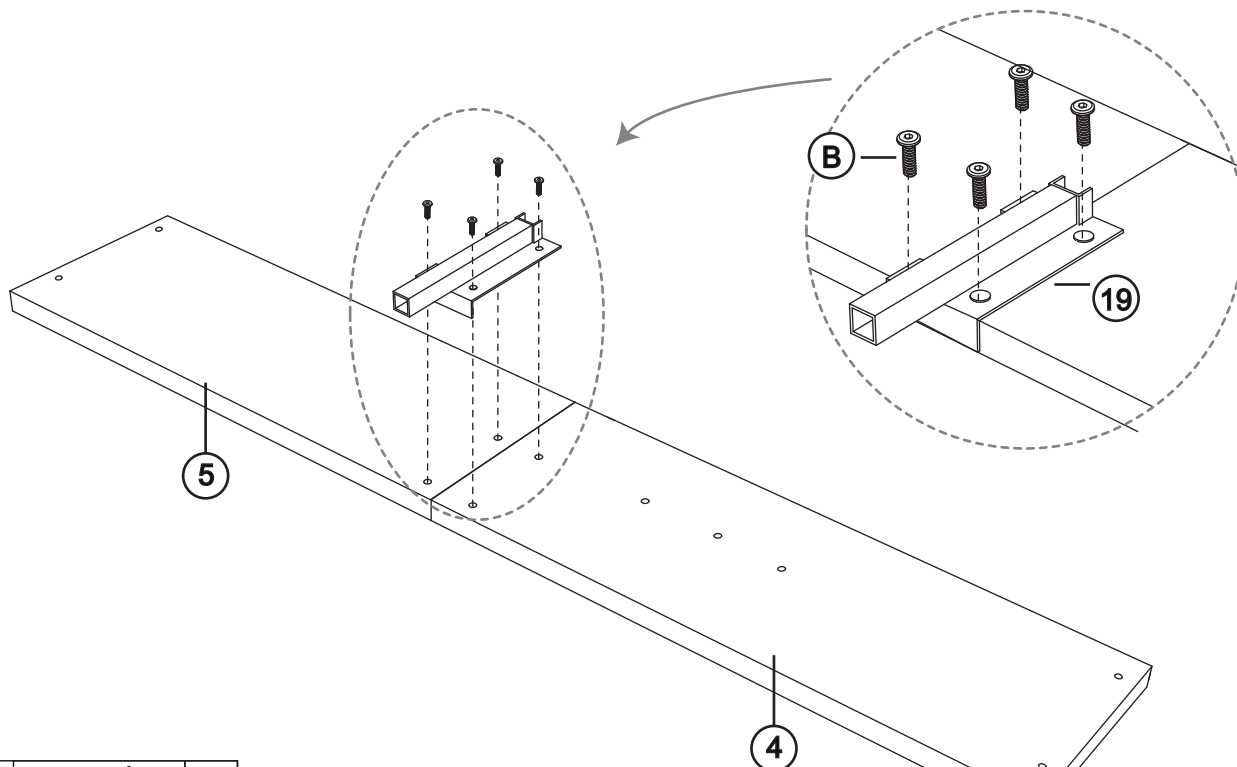
## STEP 1

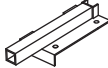



A	Bolt Boulon (Ø 8X40mm)		4
---	------------------------------	---	---

## STEP 2

Left

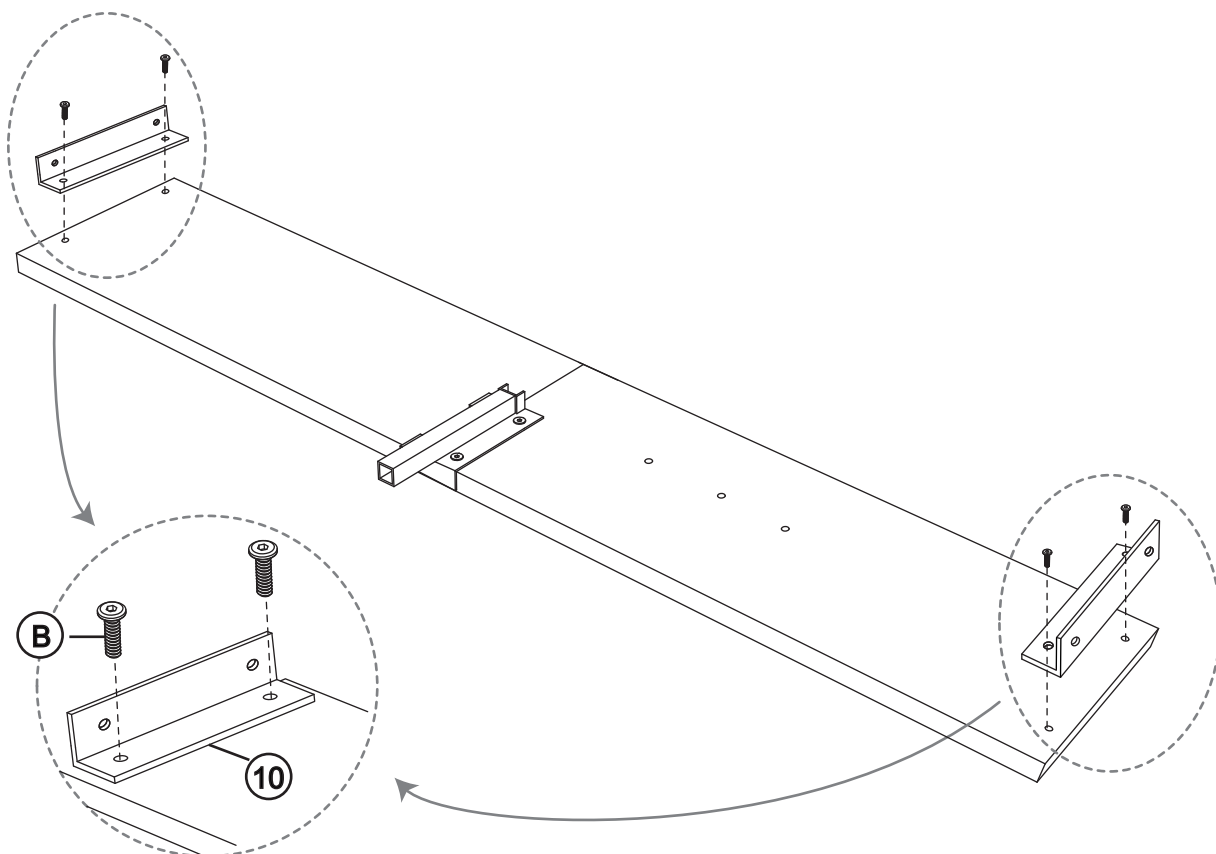


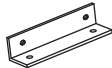

19	Bracket Support		1
B	Bolt Boulon (Ø 8X20mm)		4

# ASSEMBLY INSTRUCTIONS

## STEP 3

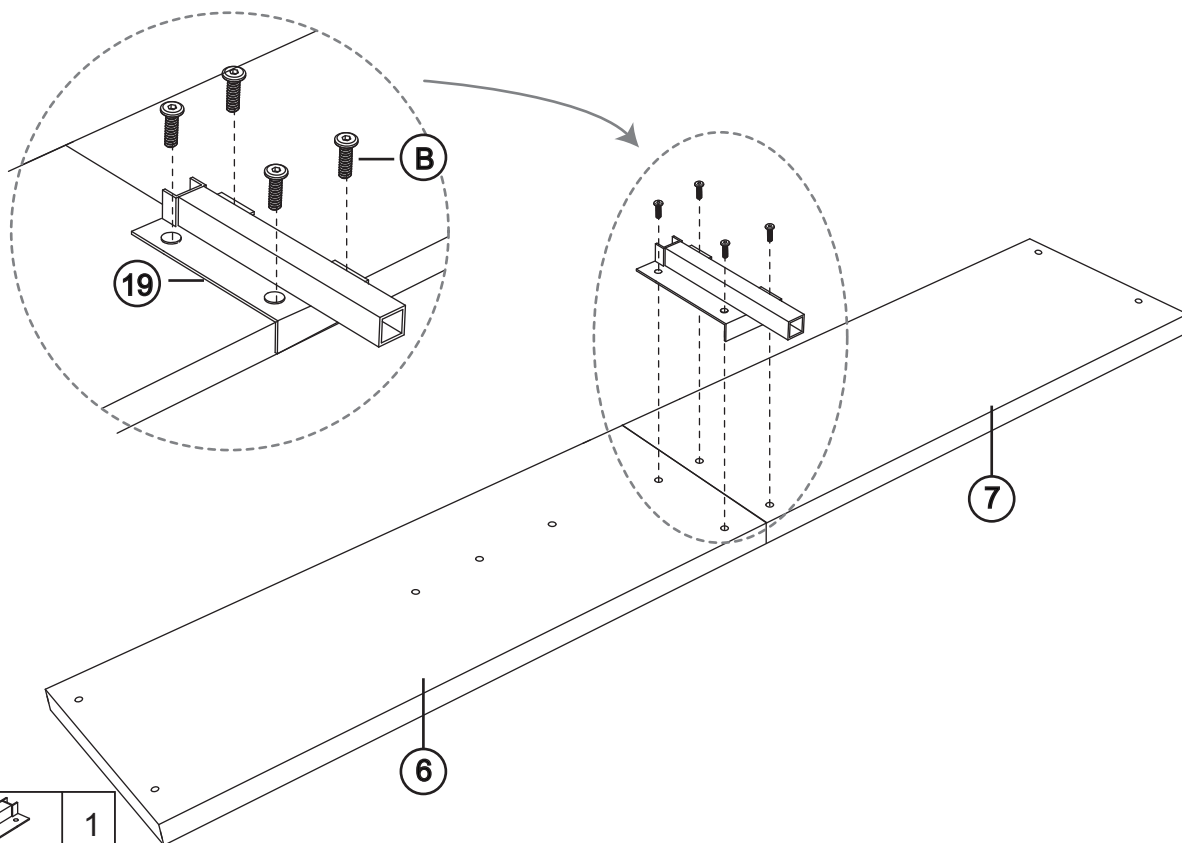
Left





10	Bracket Support		2	B	Bolt Boulon (Ø 8X20mm)		4
----	-----------------	---	---	---	------------------------	---	---

## STEP 4

Right

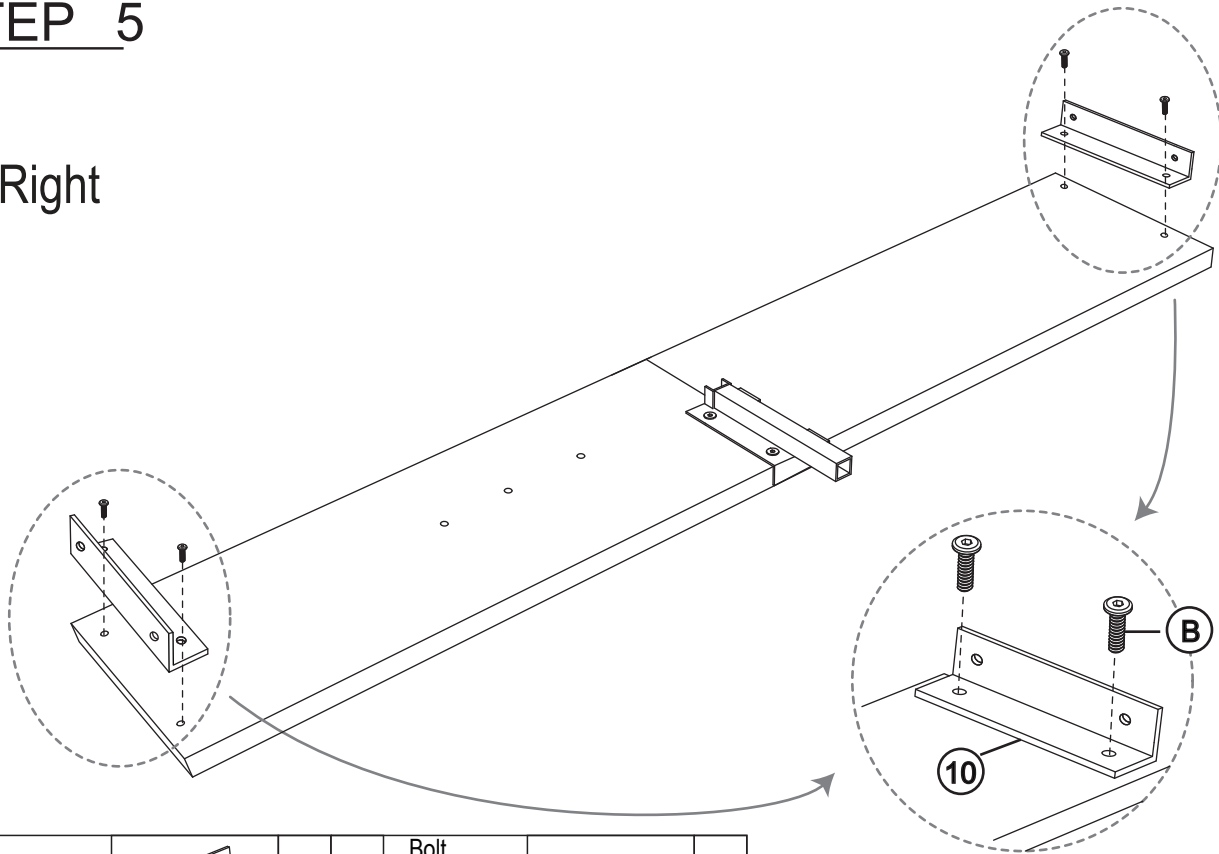


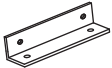

19	Bracket Support		1
B	Bolt Boulon (Ø 8X20mm)		4

# ASSEMBLY INSTRUCTIONS

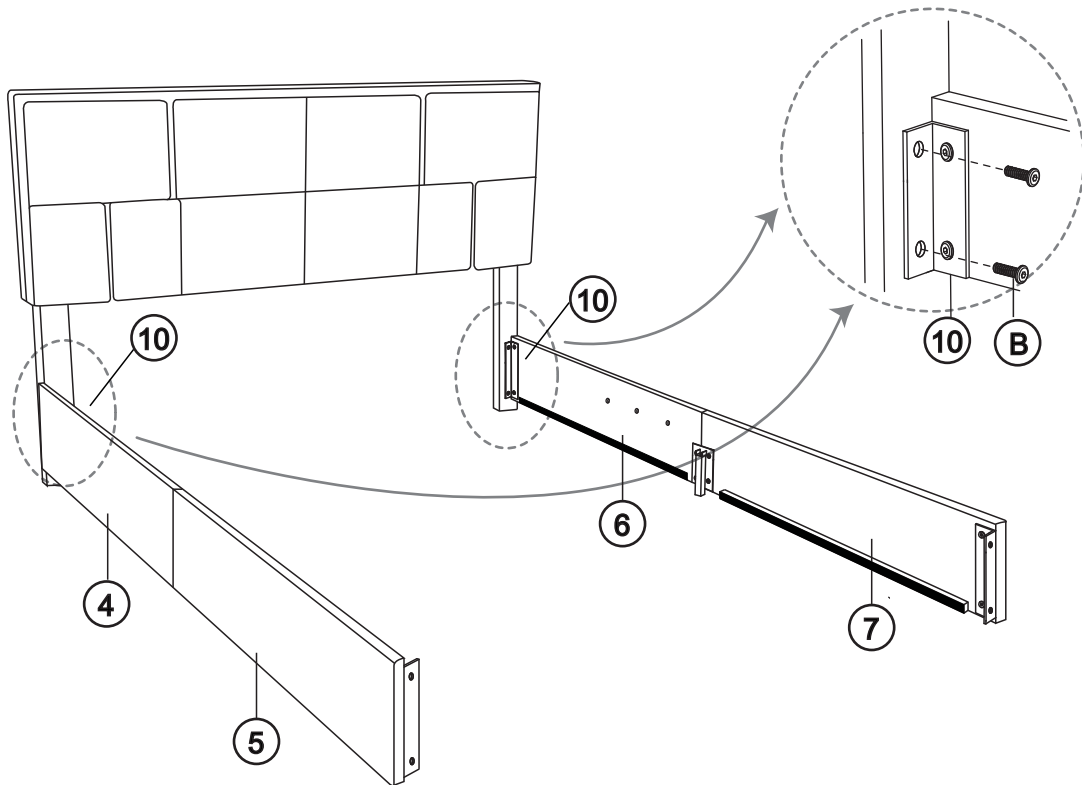
## STEP 5


Right



10	Bracket Support		2	B	Bolt Boulon (Ø 8X20mm)		4
----	-----------------	---	---	---	------------------------	---	---

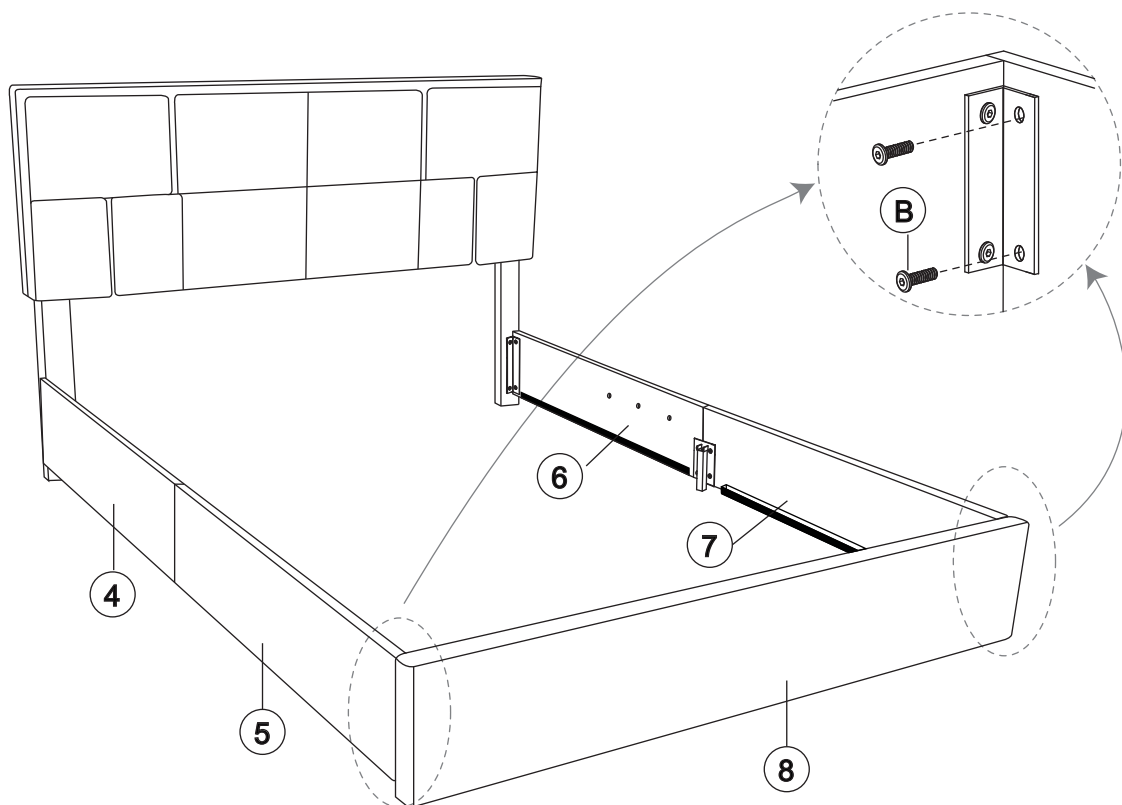
## STEP 6



B	Bolt Boulon (Ø 8X20mm)		4
---	------------------------	---	---

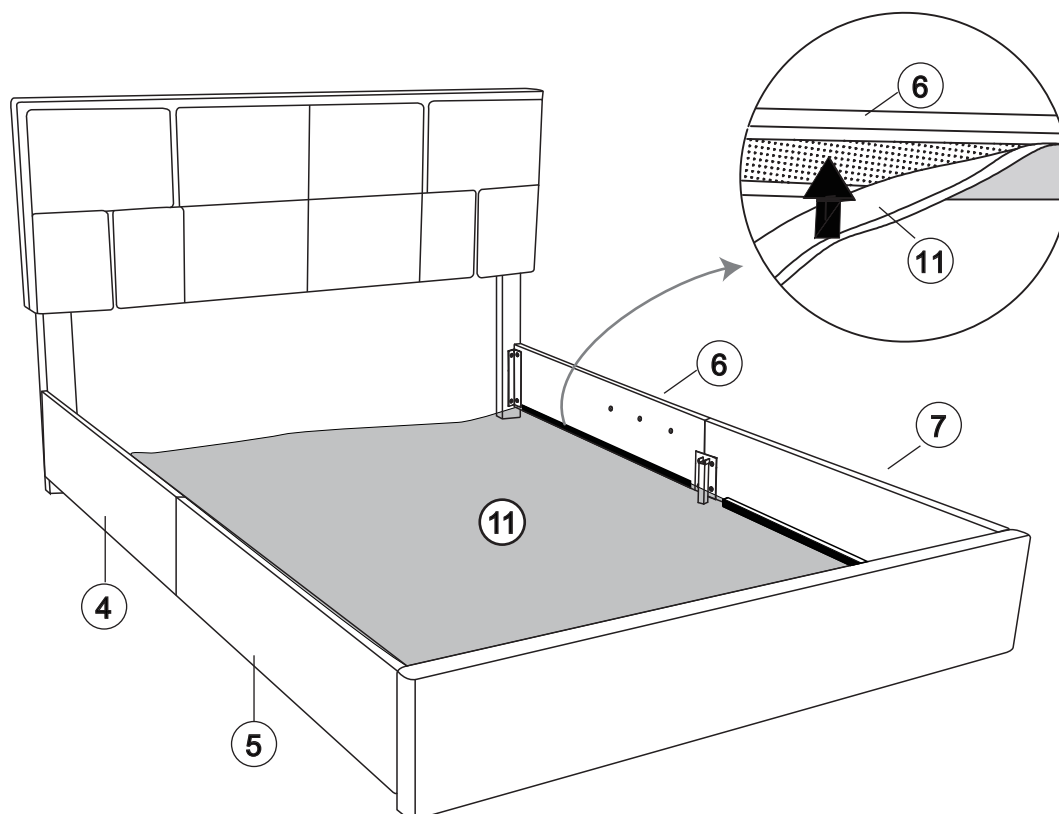
# ASSEMBLY INSTRUCTIONS

## STEP 7



B	Bolt Boulon (Ø 8X20mm)		4
---	------------------------------	---	---

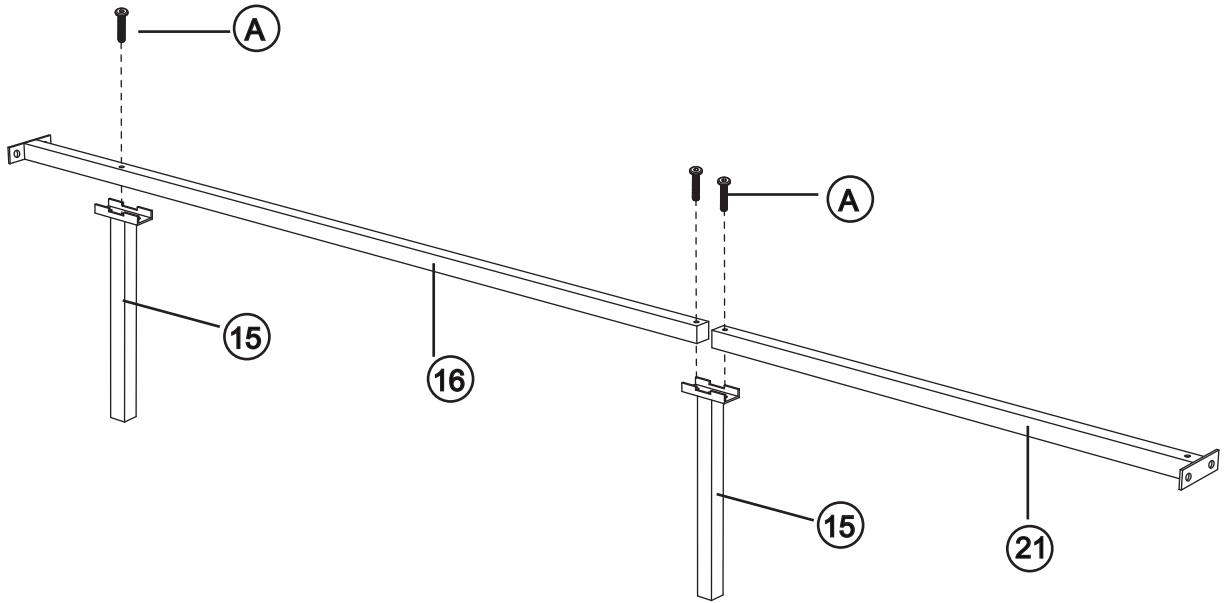
## STEP 8





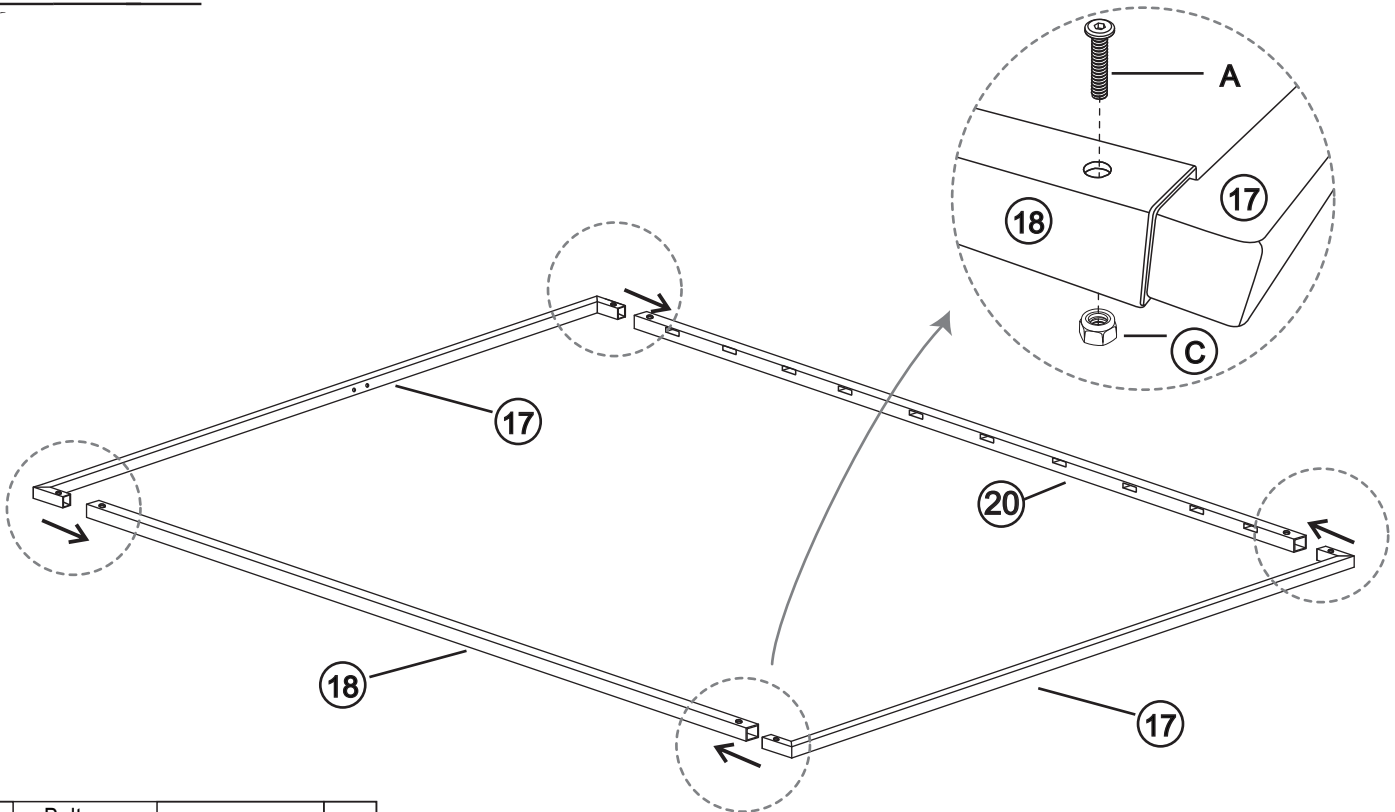
# ASSEMBLY INSTRUCTIONS



## STEP 11



A	Bolt Boulon ( $\varnothing 8 \times 40 \text{mm}$ )		3
---	---	---	---

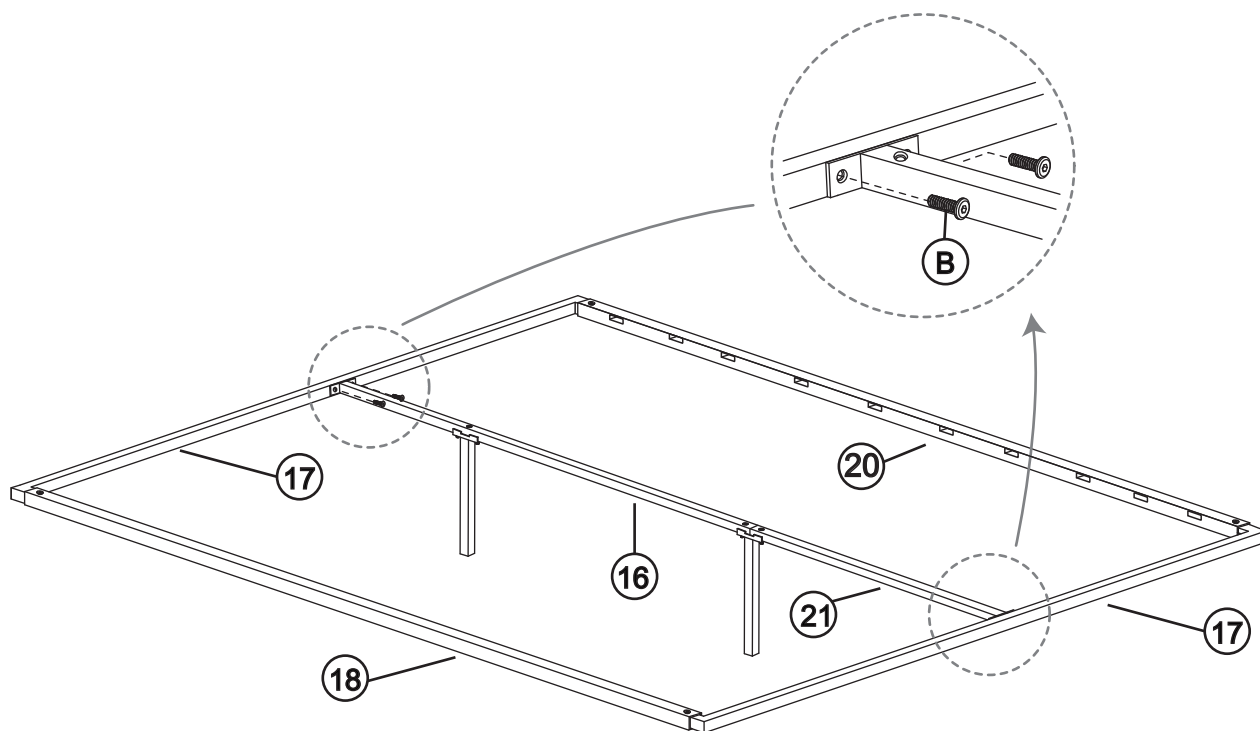
## STEP 12




A	Bolt Boulon ( $\varnothing 8 \times 40 \text{mm}$ )		4
C	Bolt Boulon (M8)		4

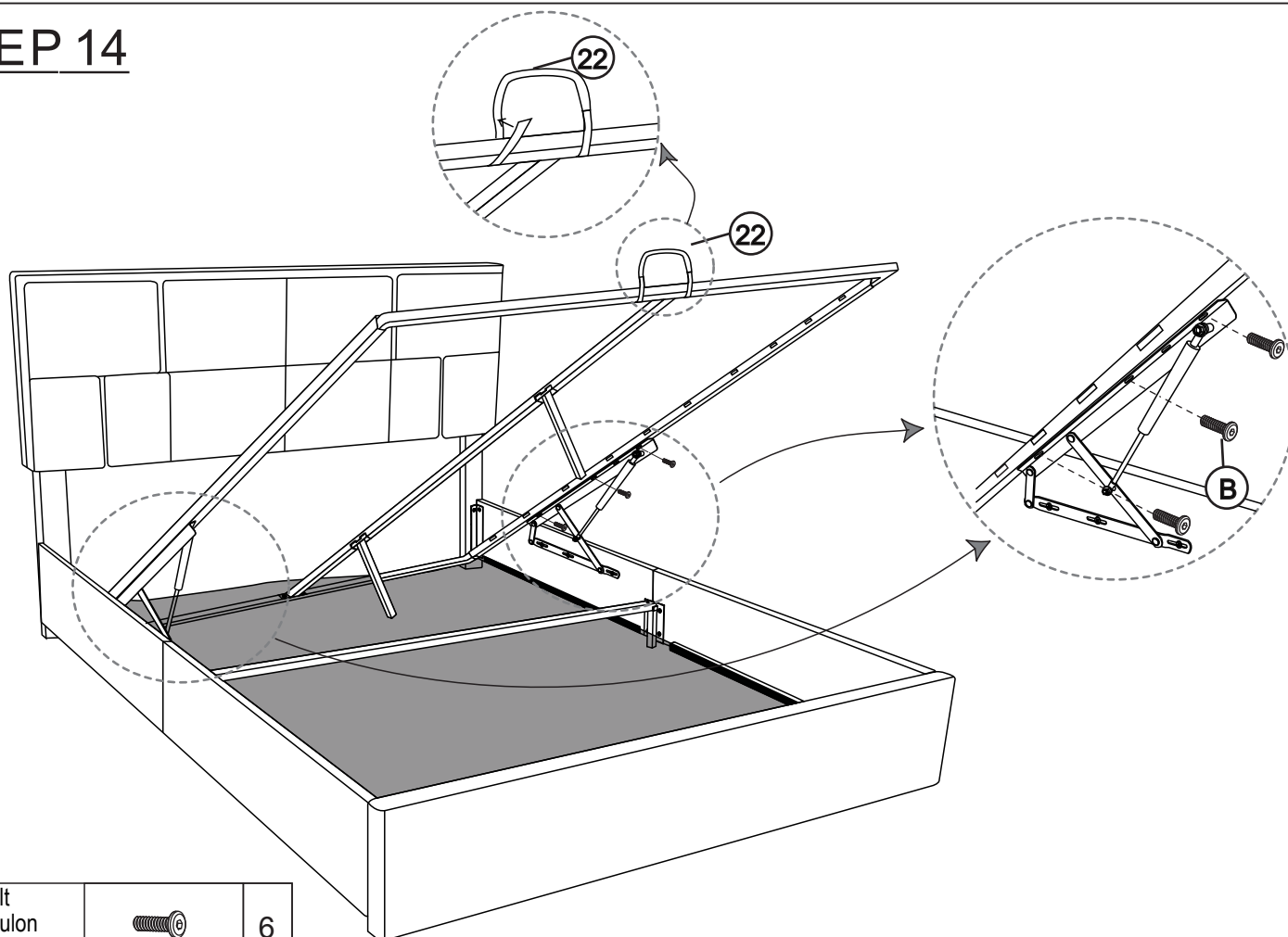
# ASSEMBLY INSTRUCTIONS


## STEP 13



B	Bolt Boulon (Ø 8X20mm)		4
---	------------------------------	---	---

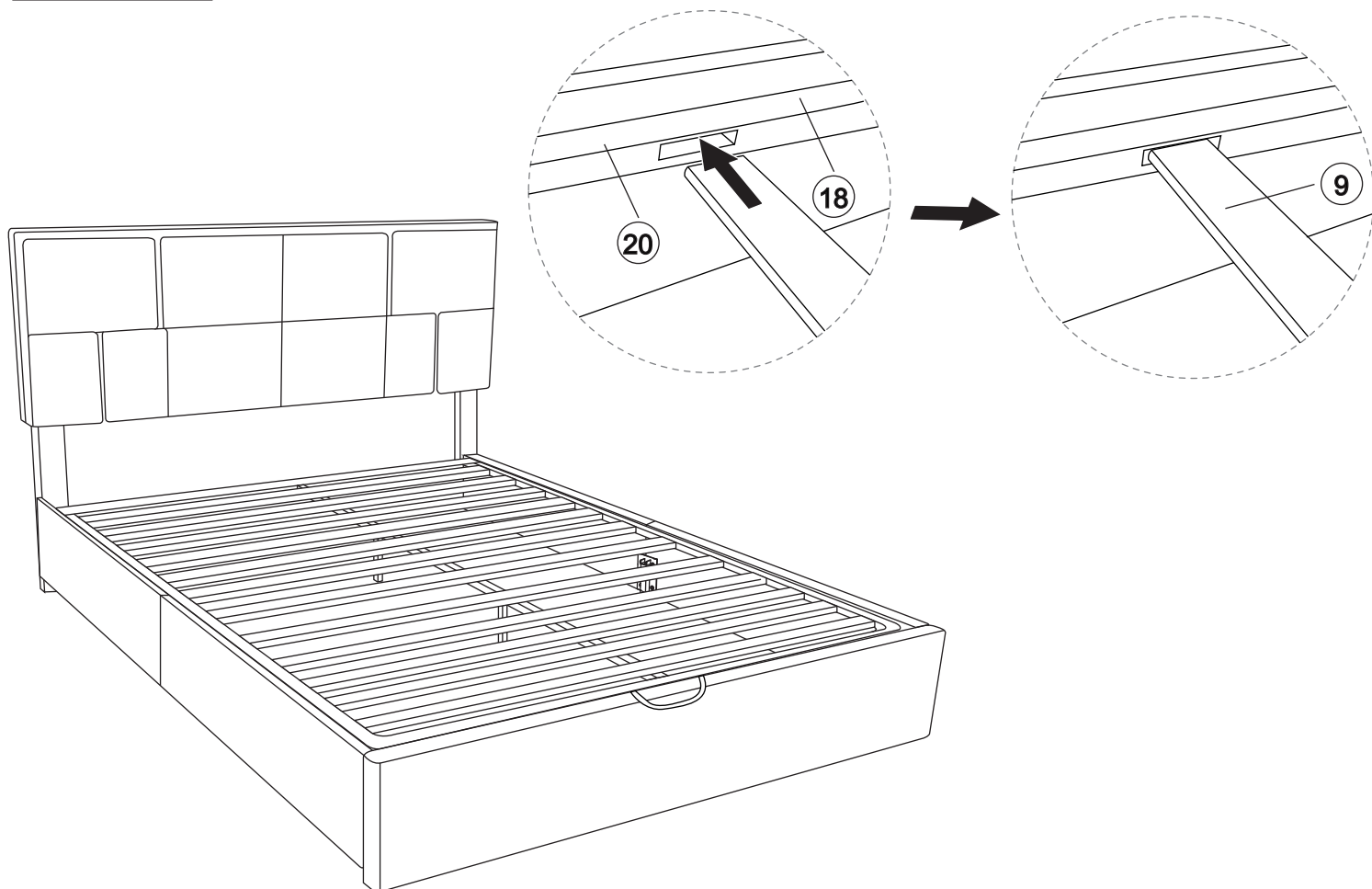
## STEP 14



B	Bolt Boulon (Ø 8X20mm)		6
---	------------------------------	---	---

# ASSEMBLY INSTRUCTIONS

## STEP 15



## STEP 16

