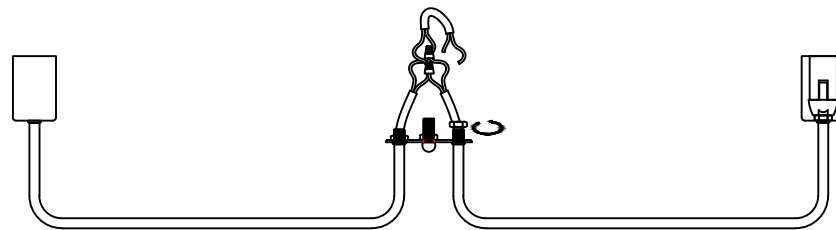
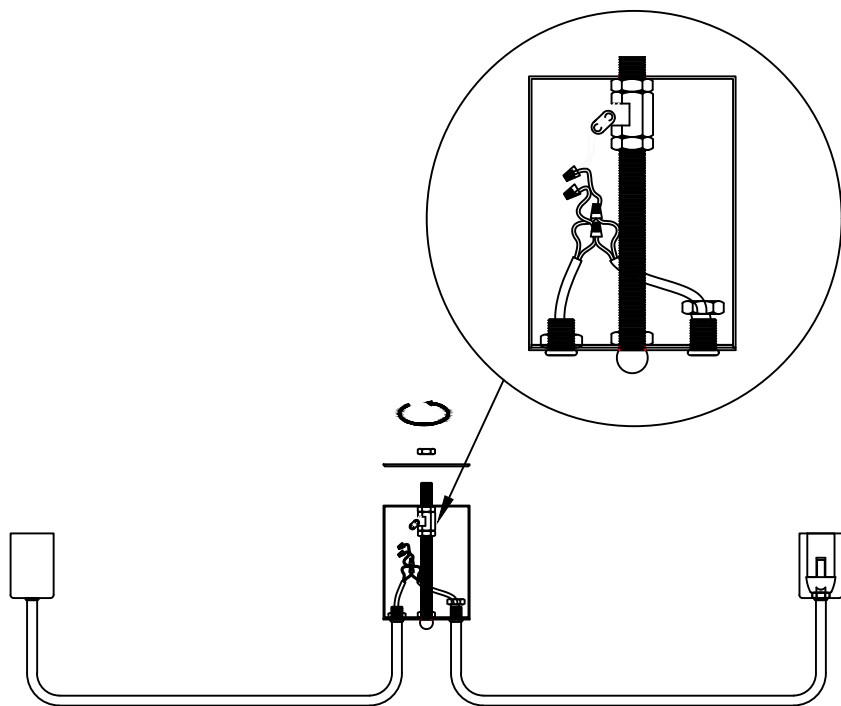




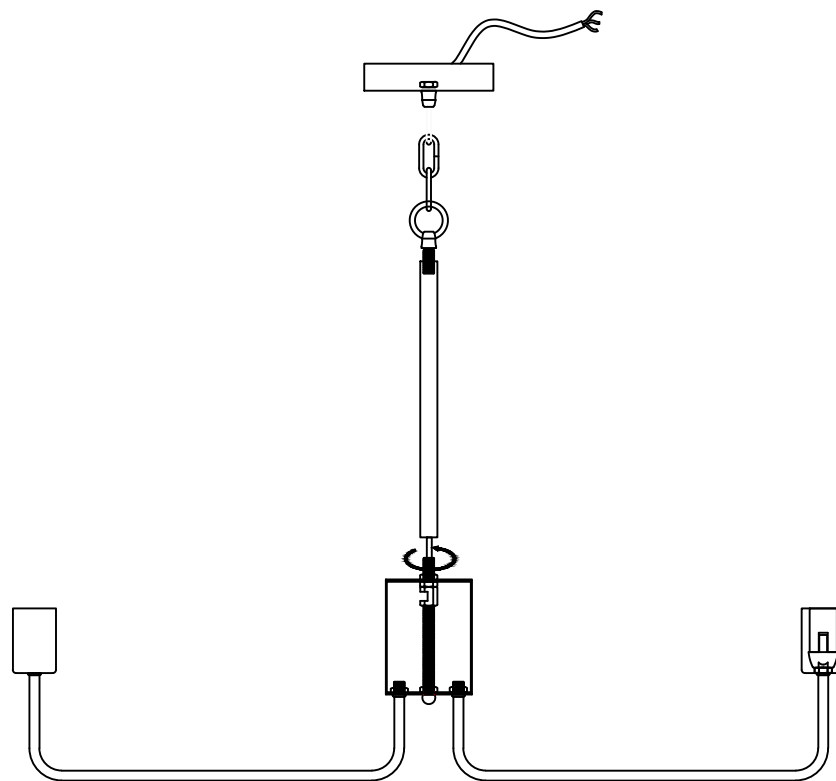
1、 Fix the 8 lamp arms on the disk respectively.



2、 Connect the power cord of the lamp arm to the auxiliary line, (connect all black and all white)



3、 Connect the black and white line of the auxiliary line to the main line of the lamp body, and assemble the lamp as shown in the figure



4、 Pass the main power cord through the middle pole and the ceiling plate, and fix the middle pole to the lamp as shown in the figure.(water pipe There are 30, 40, 50cm to choose or splicing)