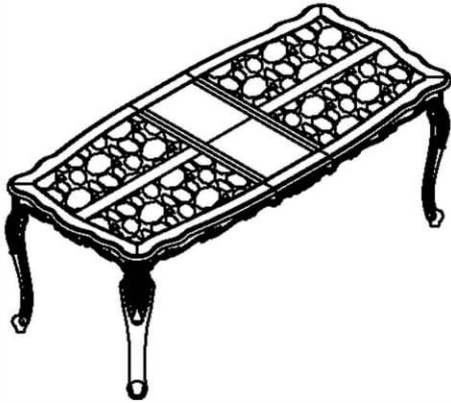


ASSEMBLY INSTRUCTION

Thank you for purchasing this quality product. Be sure to check all packing materials carefully for small parts may have come loose inside the carton during shipment. Identify and count all parts and compare with the parts listed below.



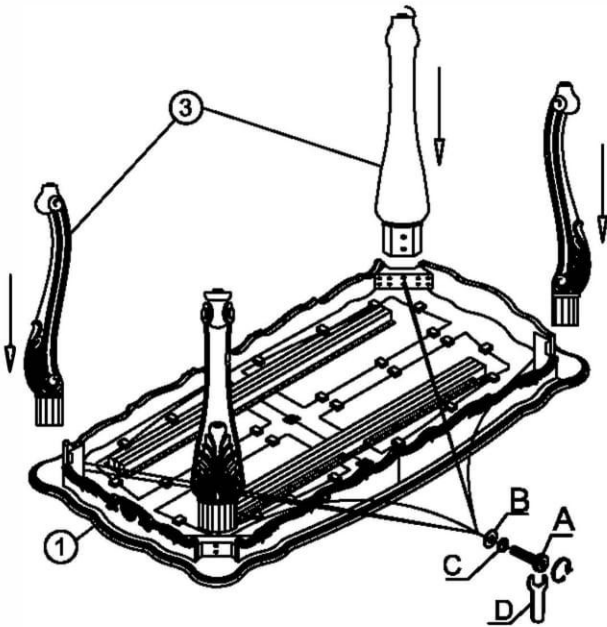
PARTS LIST:

①		②		③	
TABLE TOP:1PC		LEAF: 1PC		LEGS: 4PCS	

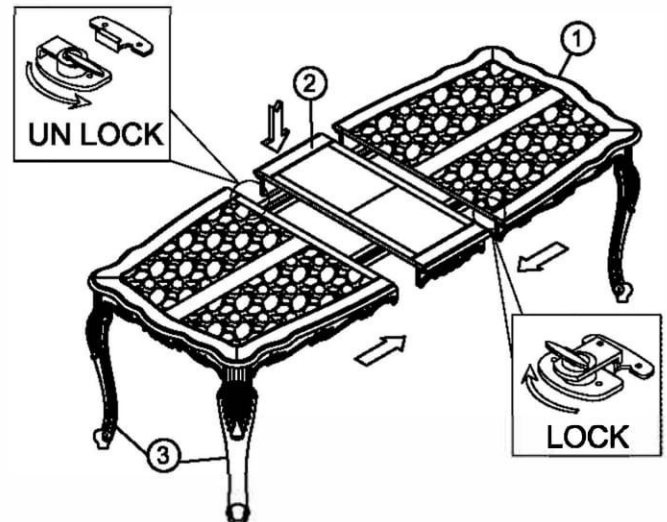
HARDWARE LIST

NO.	Drawing	Description	Q'ty
A		Bolt (Φ5/16"x3")	8pcs
B		Flat washer (Φ5/16"x19mm)	8pcs
C		Spring washer (Φ5/16")	8pcs
D		Φ5/16" Wrench(12mm)	1pc

STEP 1:



STEP 2:



CLEANING INSTRUCTION

Clean the surface of the Dining Table w/1 leaf with furniture polish and a soft cloth.