

# ASSEMBLY INSTRUCTION

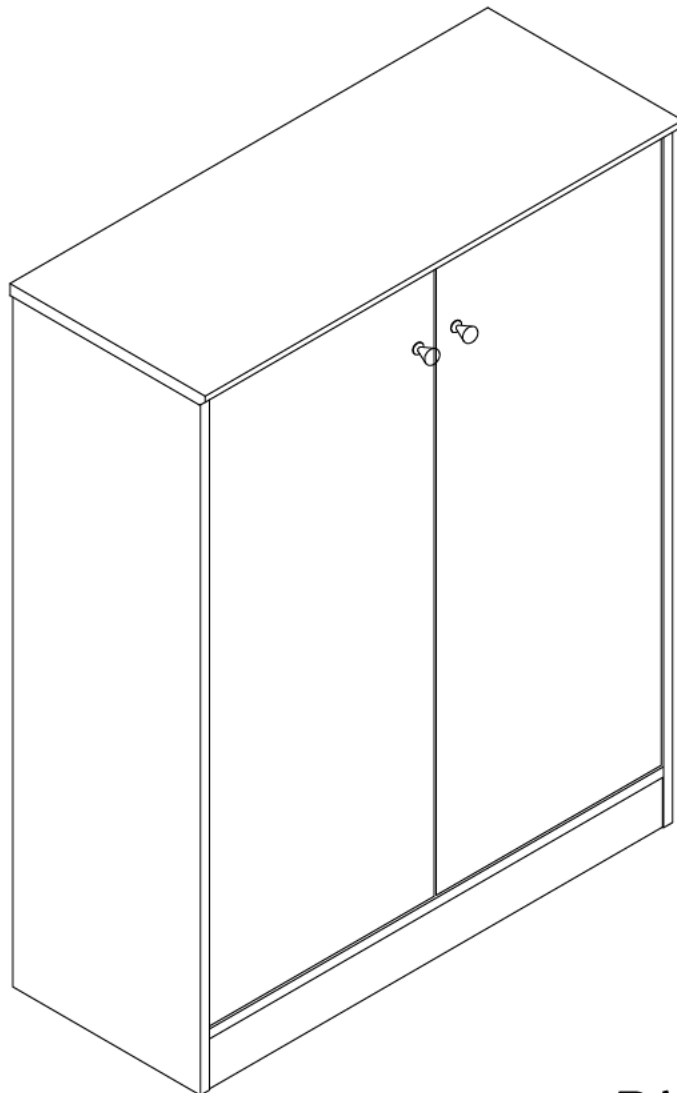
---

## PLEASE READ BEFORE ASSEMBLING!

Tip #1: Make sure you've taken all the pieces and hardware out of its packaging before discarding the box.

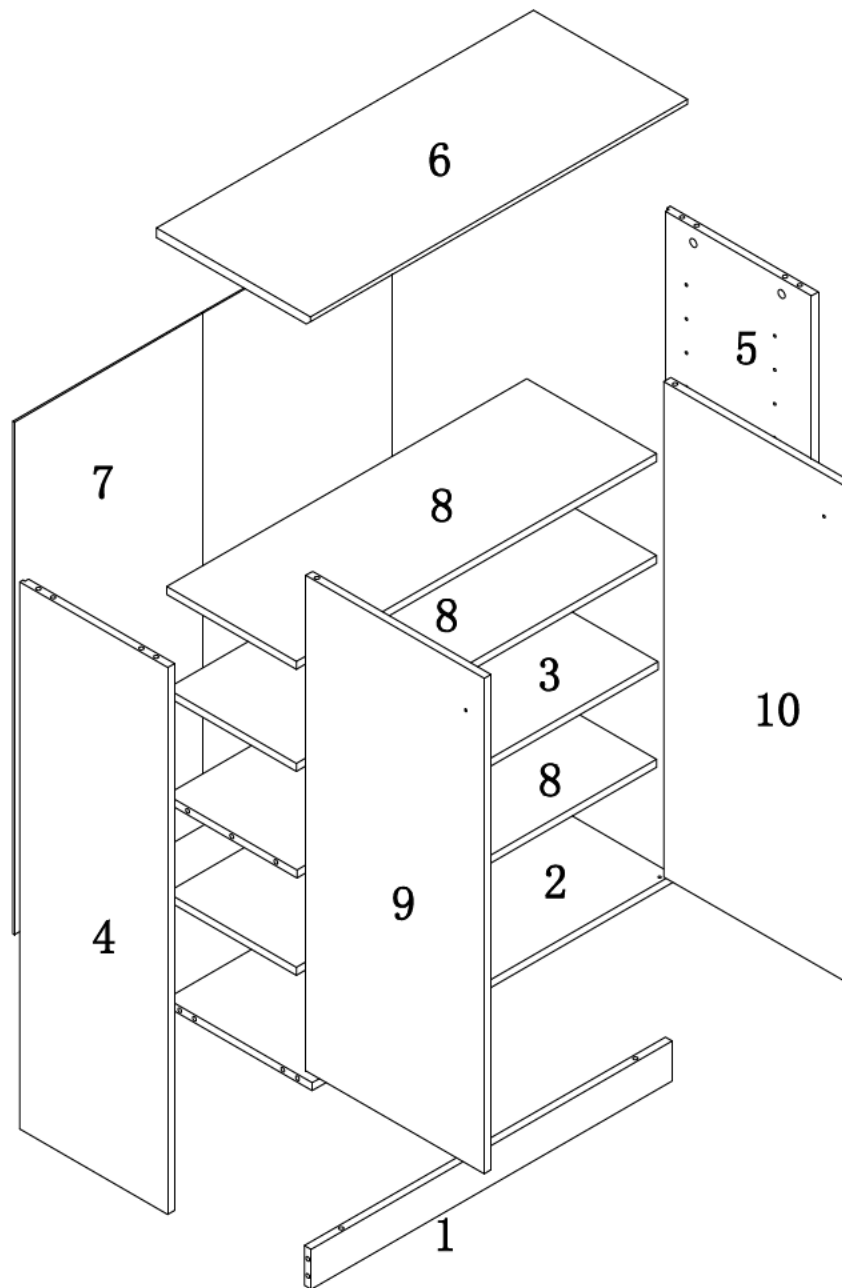
Tip #2: Using page 2 and/or page 3 of instruction manual make sure all pieces and hardware are accounted for.

Tip #3: Read manual before assembling, it helps!




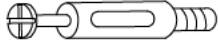

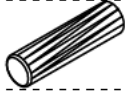








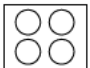

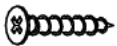
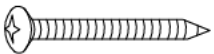
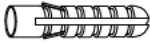


# PARTS IDENTIFICATION

---

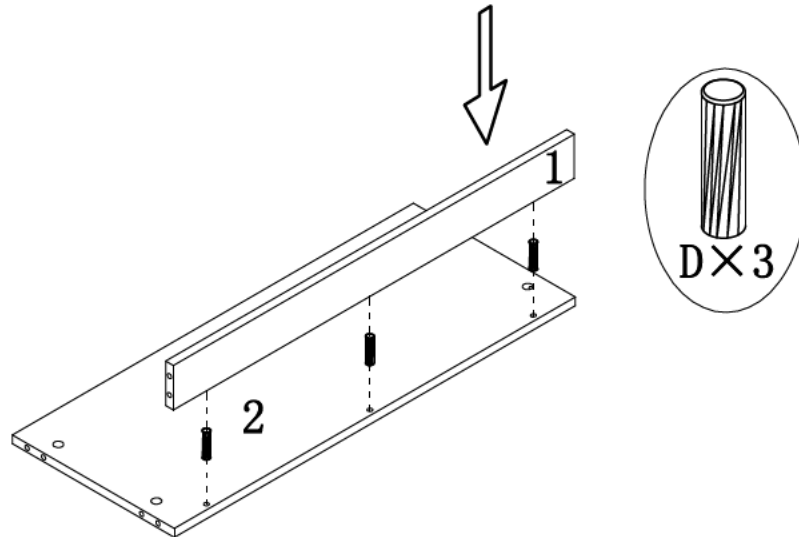


|     |     |      |      |
|-----|-----|------|------|
| (1) | 1pc | (6)  | 1pc  |
| (2) | 1pc | (7)  | 1pc  |
| (3) | 1pc | (8)  | 3pcs |
| (4) | 1pc | (9)  | 1pc  |
| (5) | 1pc | (10) | 1pc  |

# HARDWARE IDENTIFICATION

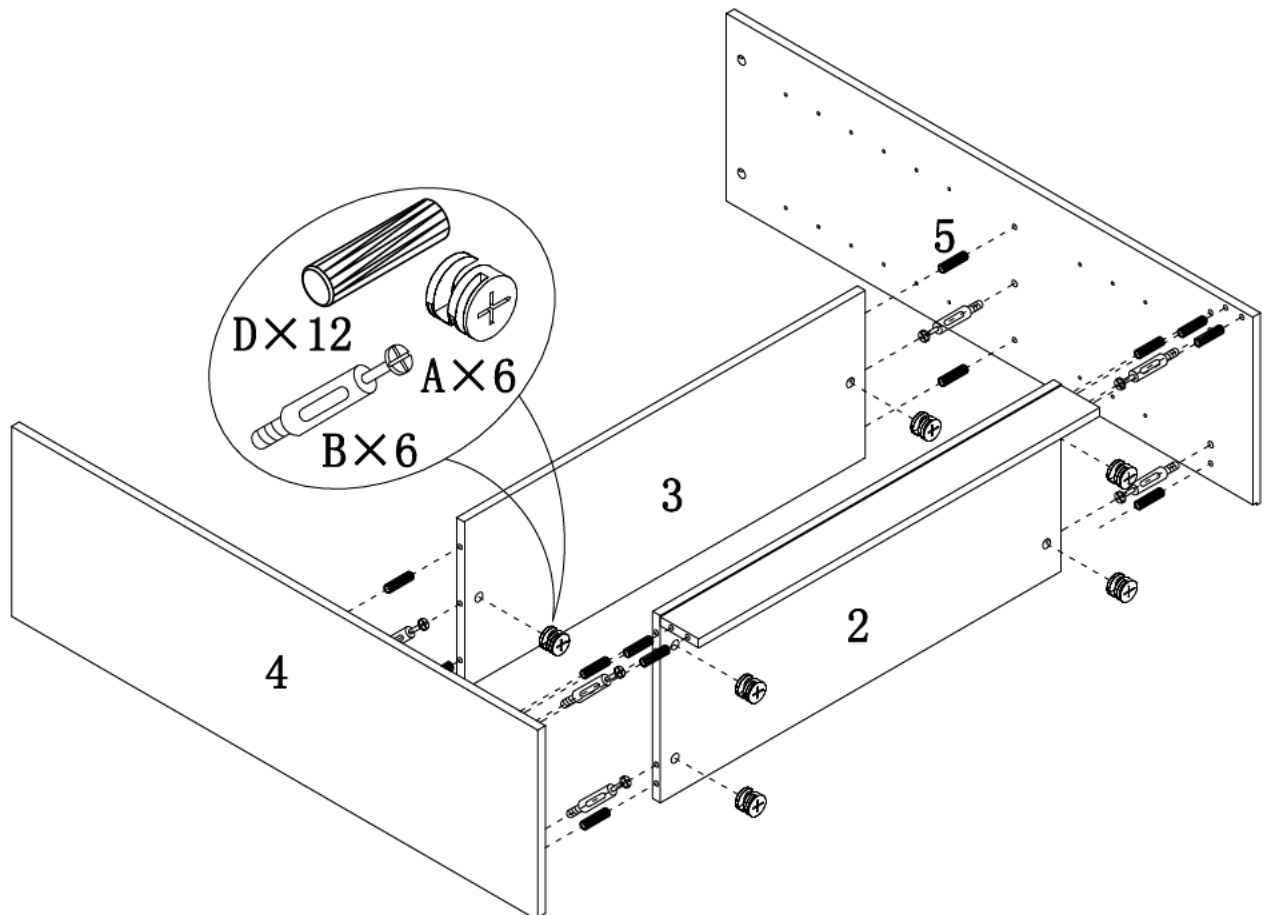
|   |   |  |       |
|---|---|--|-------|
| A |    | $\phi 15$  | 10pcs |
| B |    | L29  | 10pcs |
| C |    |  | 50pcs |
| D |    | $\phi 8 \times 25$   | 19pcs |
| E |    | $\phi 5$   | 12pcs |
| F |    |  | 1pc   |
| G |    |  | 2pcs  |
| H |   | $\phi 3 \times 14$   | 4pcs  |
| I |  | $\phi 3 \times 16$   | 2pcs  |
| J |  | $\phi 5$   | 2pcs  |
| K |  | $\phi 4 \times 20$   | 2pcs  |
| L |  |  | 2pcs  |
| M |  | $\phi 18$  | 4pcs  |
| N |  |  | 1pc   |
| O |  | $\phi 4 \times 25$   | 1pc   |
| P |  | $\phi 5 \times 40$   | 1pc   |
| Q |  | $\phi 8 \times 40$   | 1pc   |
| R |  | $\phi 16$  | 5pcs  |
| S |  | Glue: For securing please apply to wood dowel first before inserting into panel. | 1pc   |

# ASSEMBLY INSTRUCTION

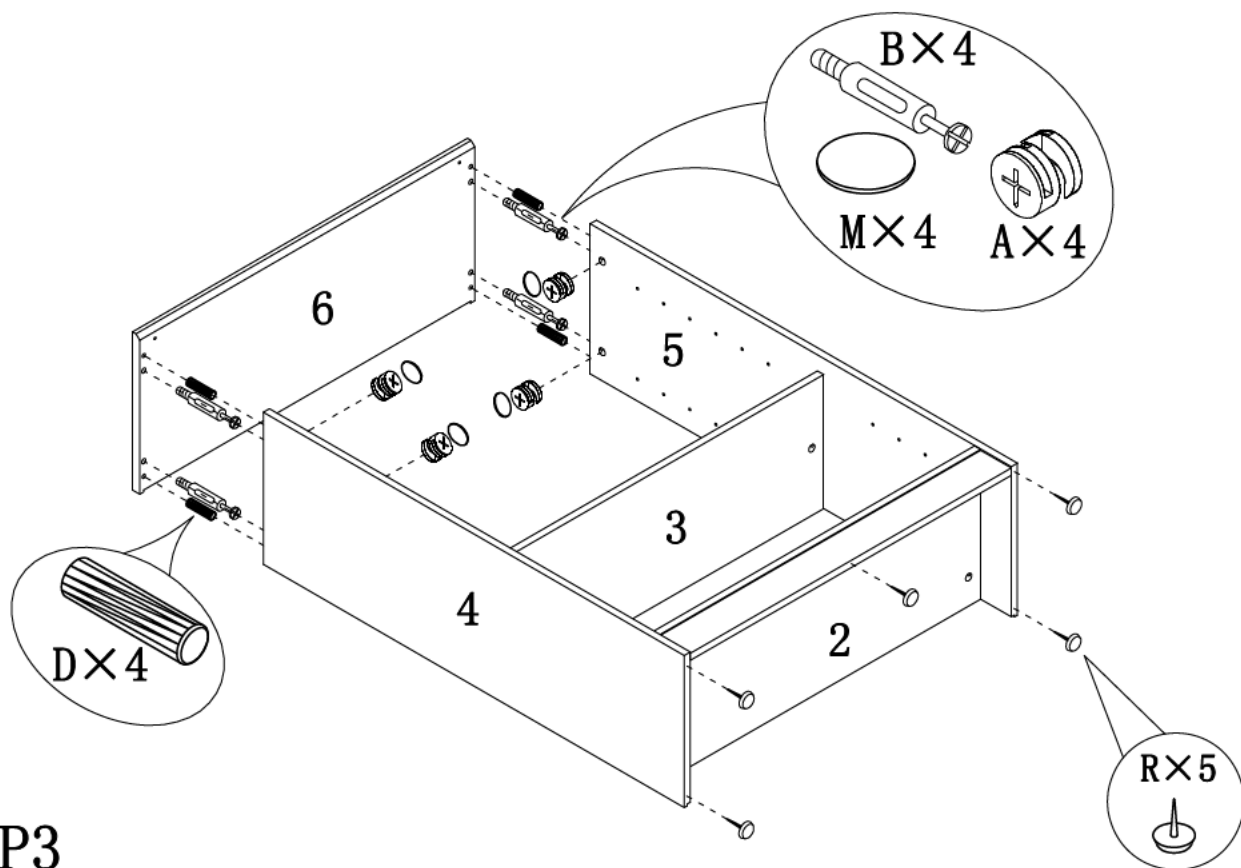


STEP1

STEP2

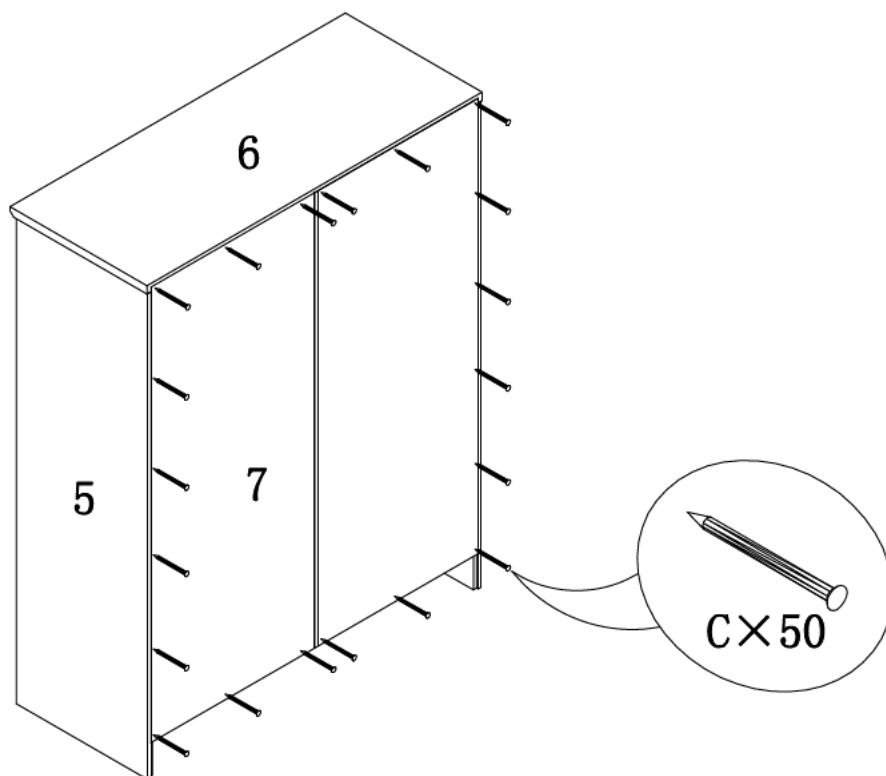


# ASSEMBLY INSTRUCTION

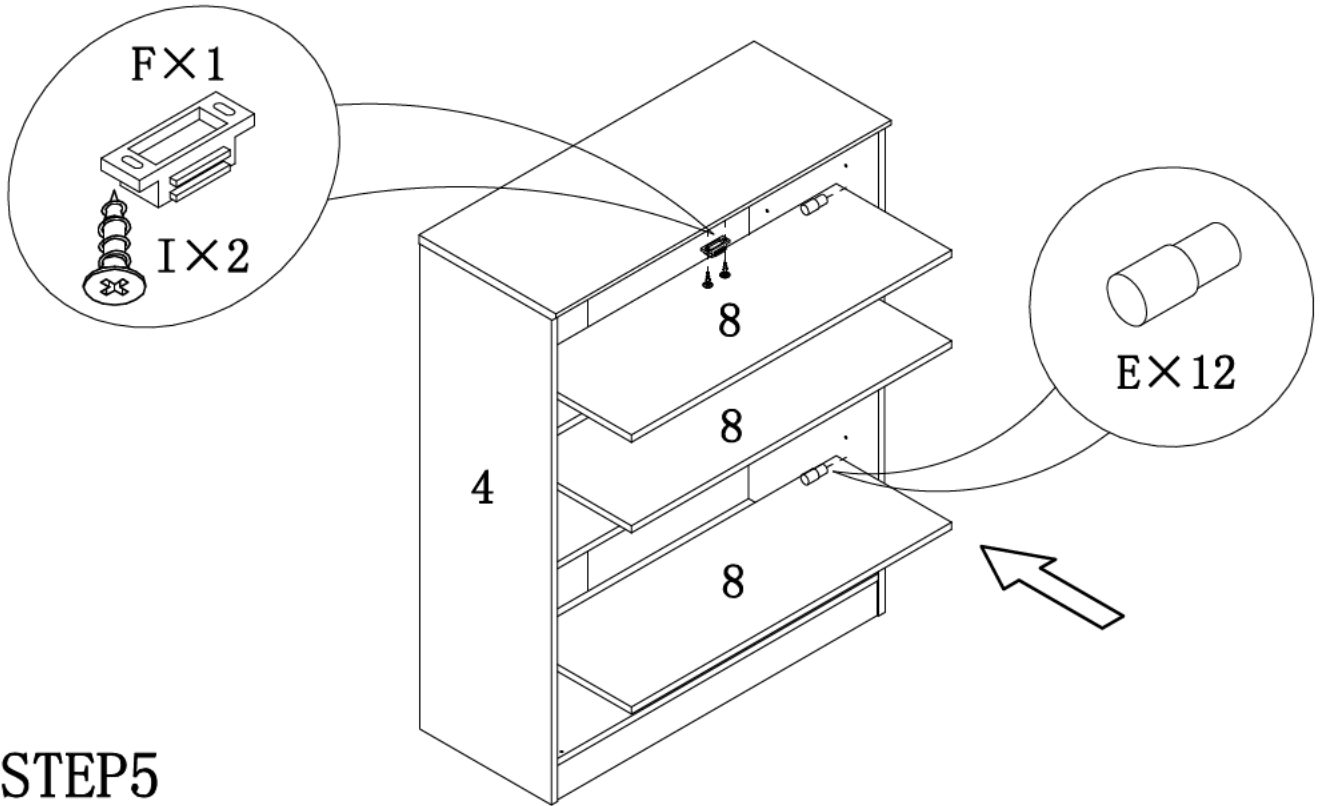


STEP3

STEP4



# ASSEMBLY INSTRUCTION



## STEP6

