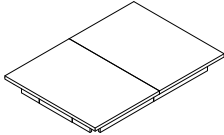

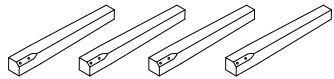

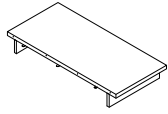






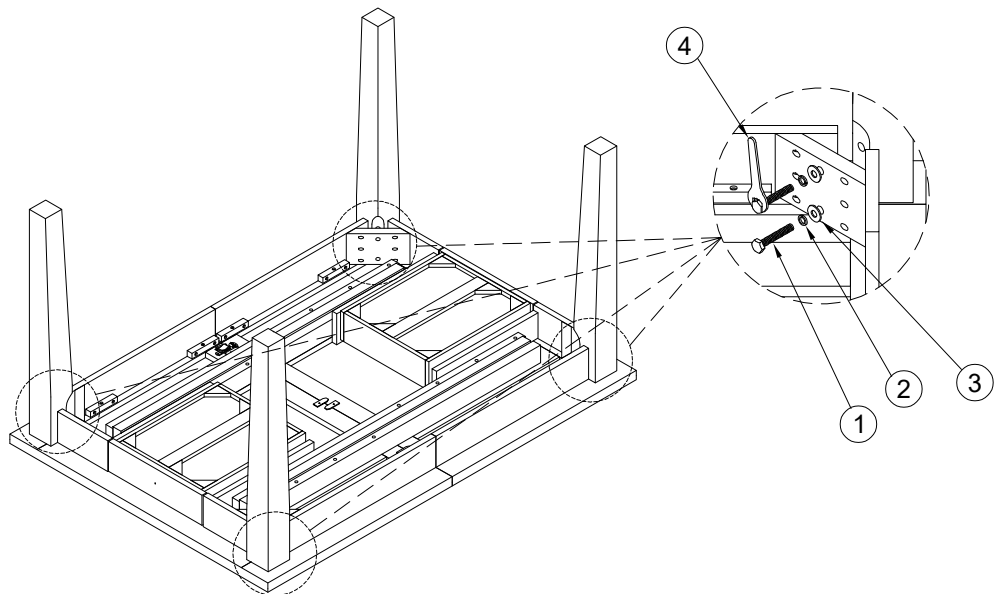


AVERY RECTANGULAR DINING TABLE ITEM NO #2478-01

Designation	Part	Qty	Part List	Hardware	Qty	Hardware List
TABLE	(A)	1PCS		(1)	8PCS	BOLT Ø3/8" x 60mm 
LEG	(B)	4PCS		(2)	8PCS	SPIRING WASHER Ø10 x 14mm 
EXTENSION LEAF	(C)	1PCS		(3)	8PCS	FLAT WASHER Ø10 x 25mm 
				(4)	1PC	SPANNER 17 x 108mm 

STEP 1

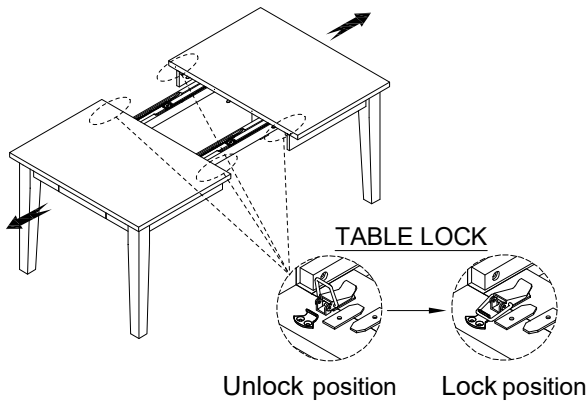
(1) x8PCS	
(2) x8PCS	
(3) x8PCS	
(4)	



Attach all 4 legs to the table top (A) using corresponding bolts

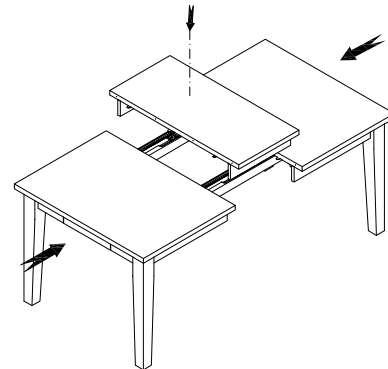
AVERY RECTANGULAR DINING TABLE ITEM NO #2478-01

STEP 2



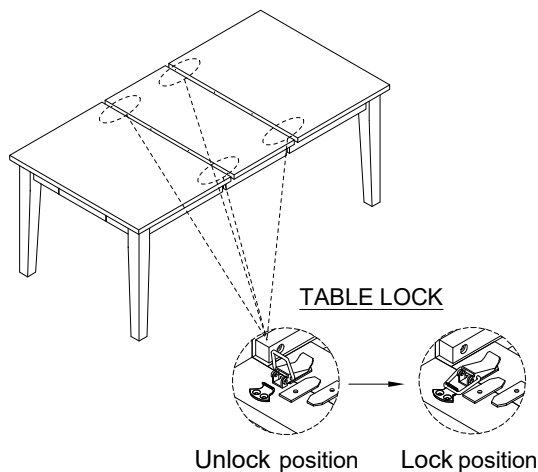
Locate the Table Locks underneath the table and move both to the "Unlock Position" (see image). Open tabletop by pulling both parts of the table to the side.

STEP 3



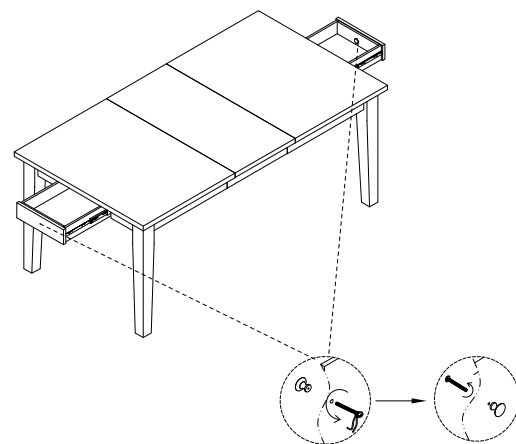
Insert the Extension Leaf at the center of the table and align with the rest of the table. Move both parts of the table (left and right) close to the Extension Leaf and make sure there are no gaps.

STEP 4



Move Table Locks to the "Lock Position" (see image), to secure all parts of the table top"

STEP 5



Knobs are attached inside the drawers for safety. Open the drawers and unscrew each knob and turn to face front. Use the same pan head screws and tighten with a screwdriver (Not included).

COMPLETE

